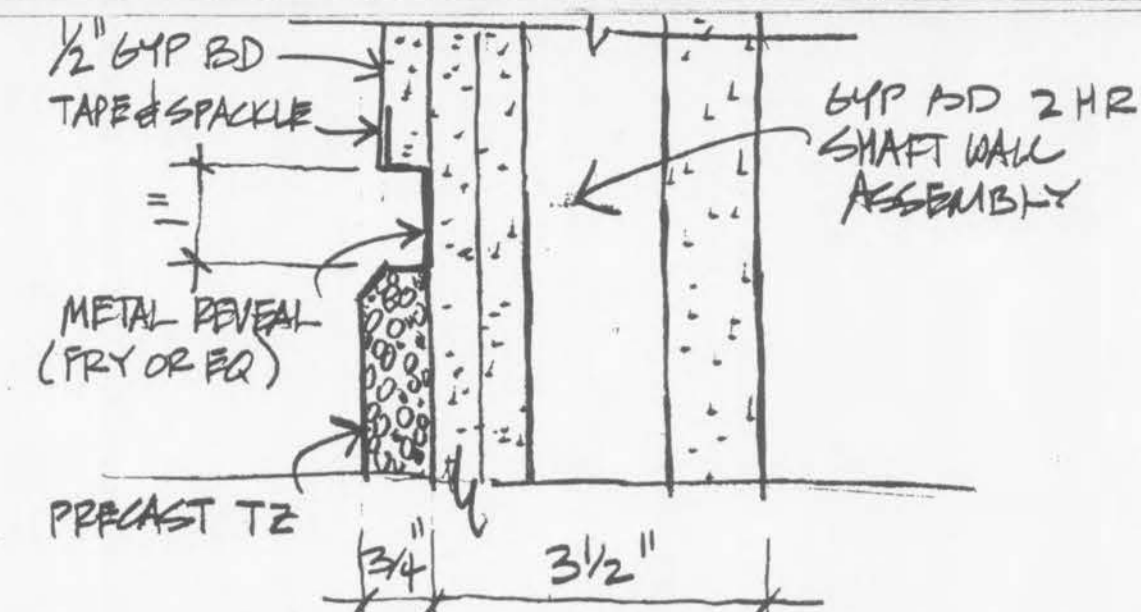
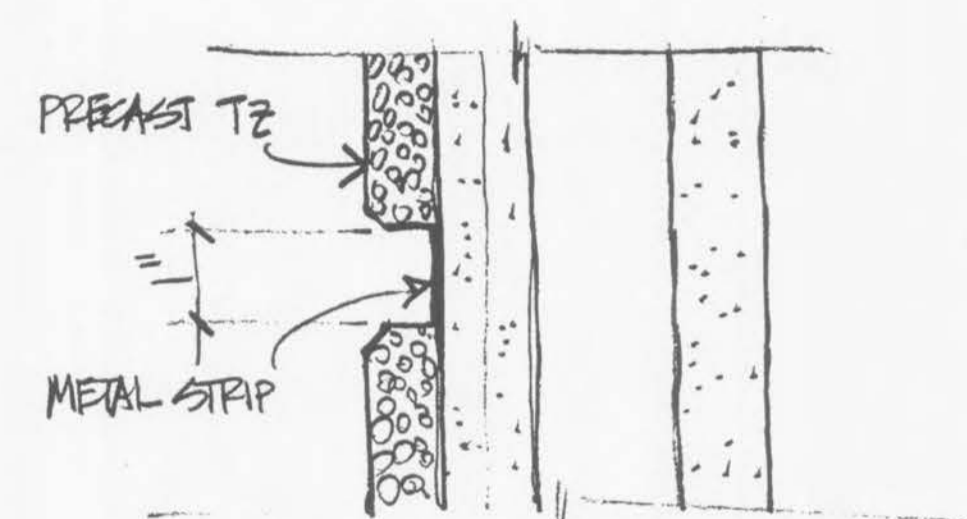


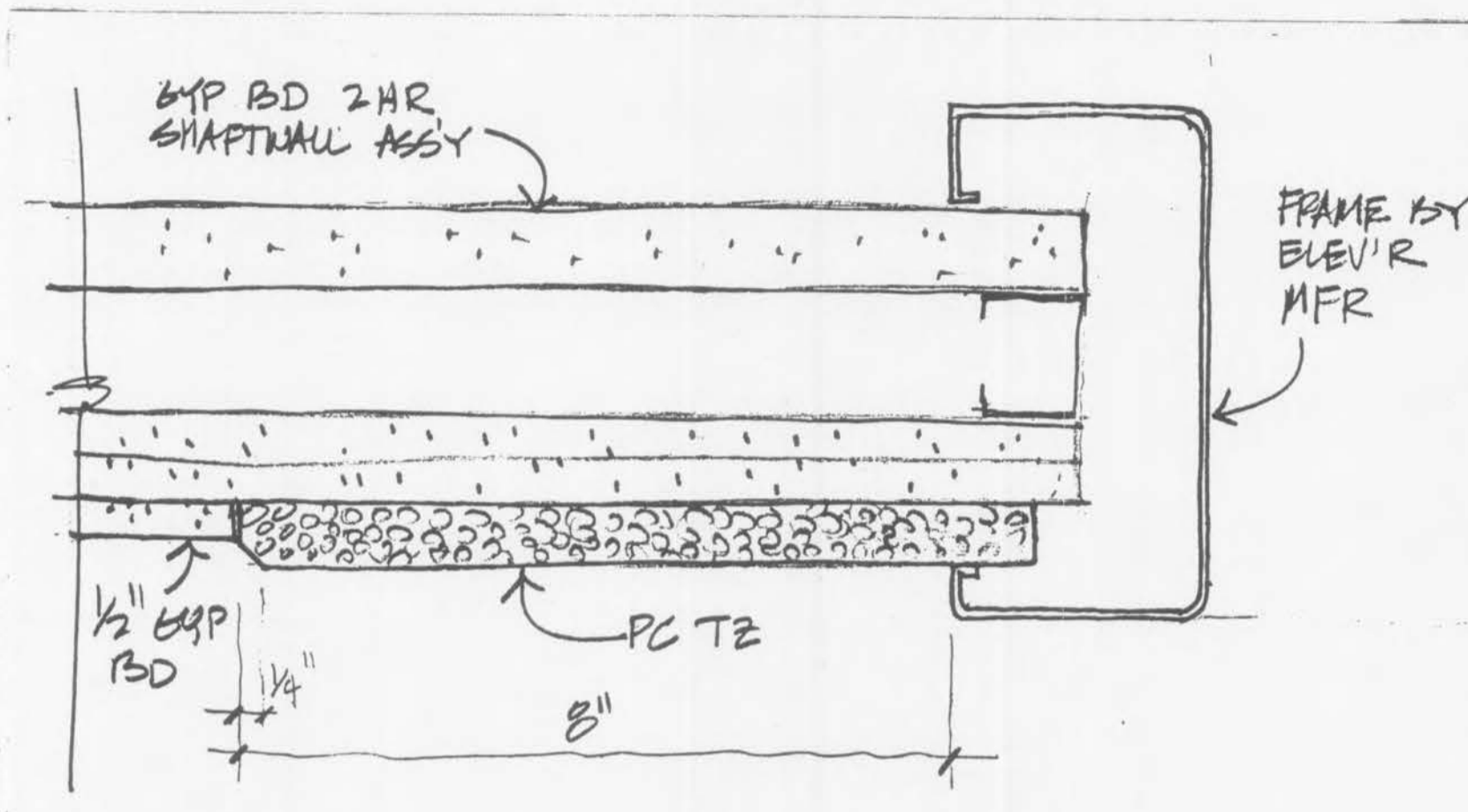
1 PLAN DETAIL @ ELEVATOR - CENTRAL LOBBY
3/4" = 1'-0"



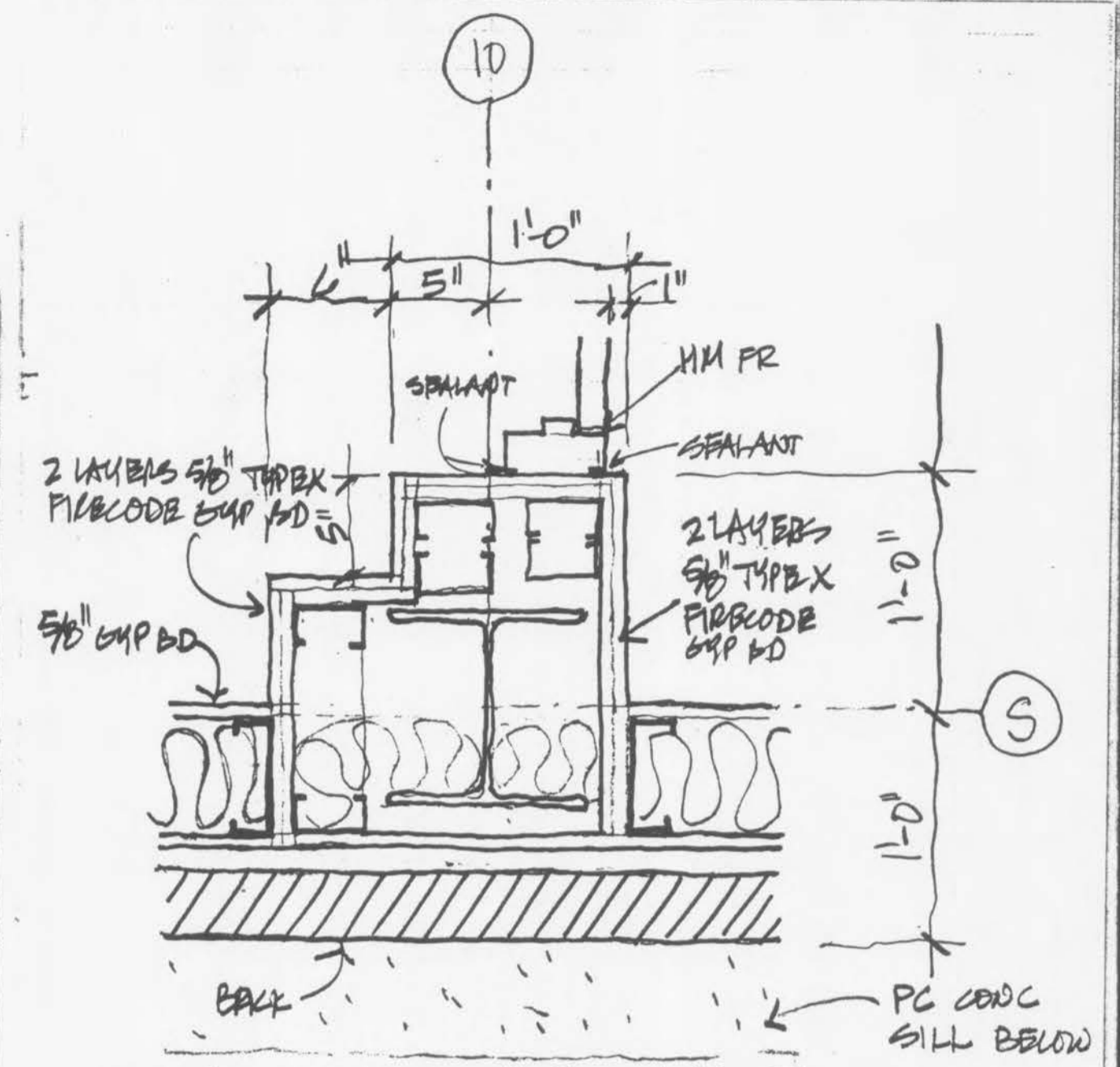
2 PC TZ / GYP BD REVEAL DETAIL
1/2 F.S.



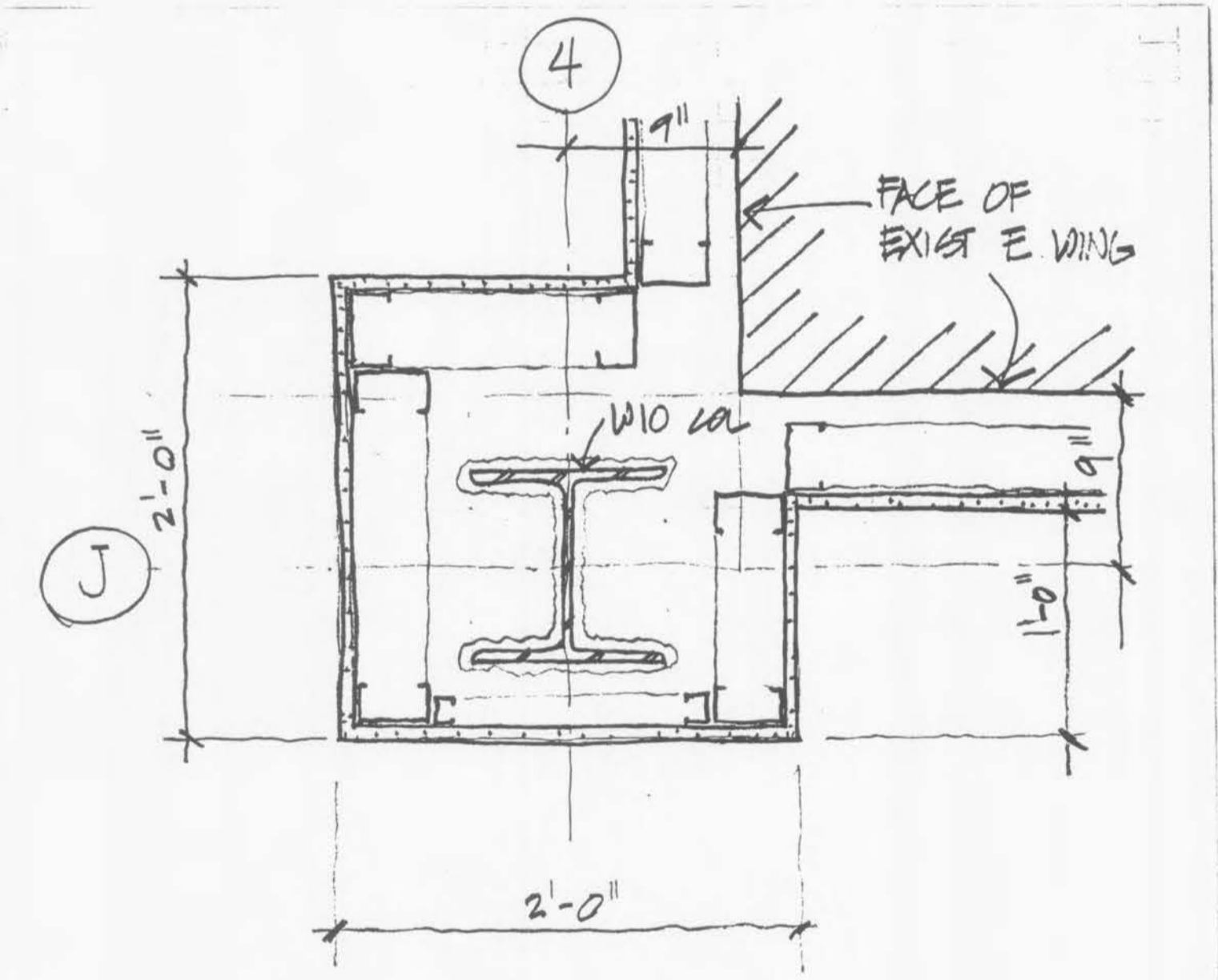
3 PC TZ REVEAL DETAIL
1/2 F.S.



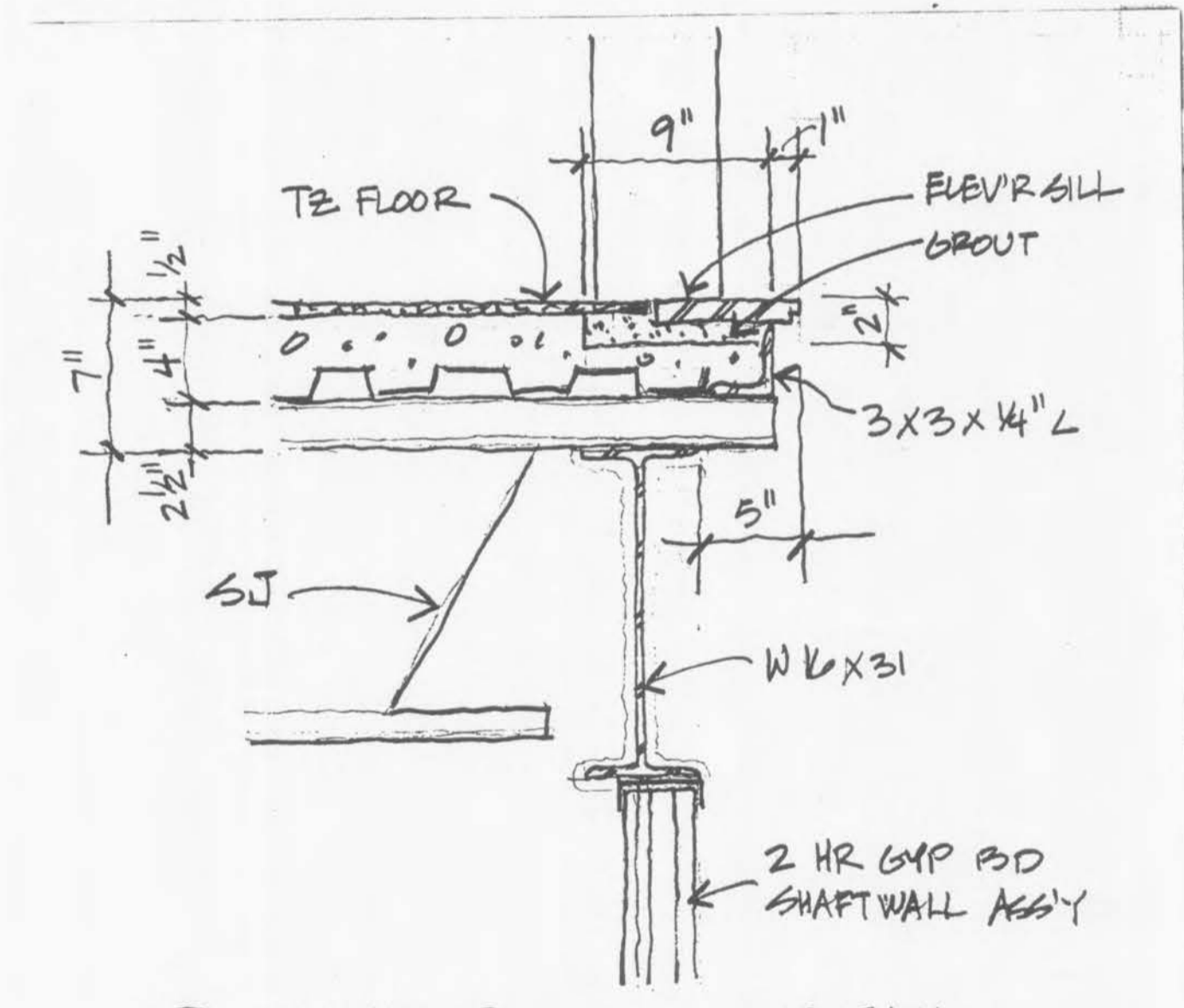
4 ELEVATOR JAMPS DETAIL
1/2 F.S.



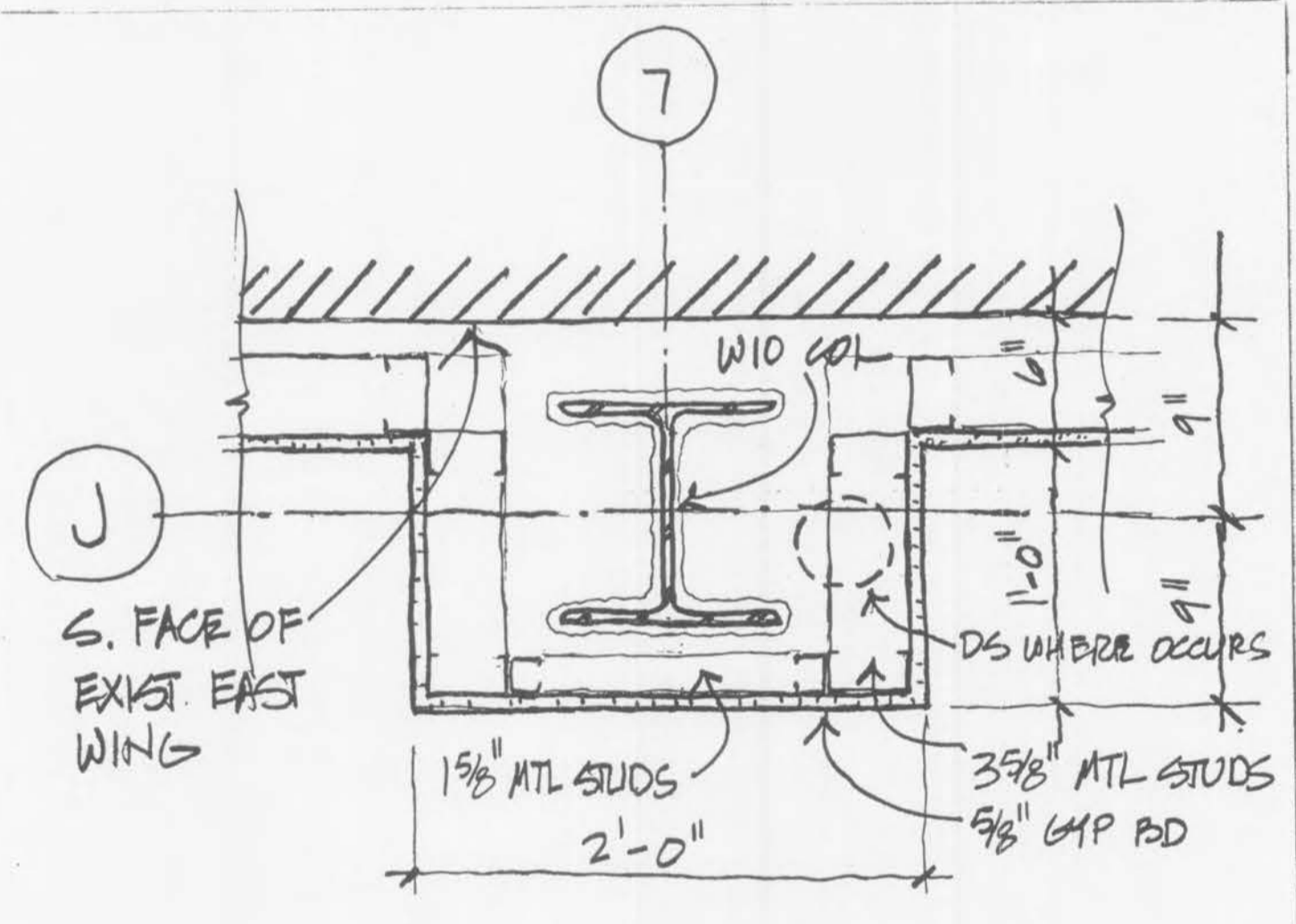
5 COL. CONDITION @ STAIR F
1/2"



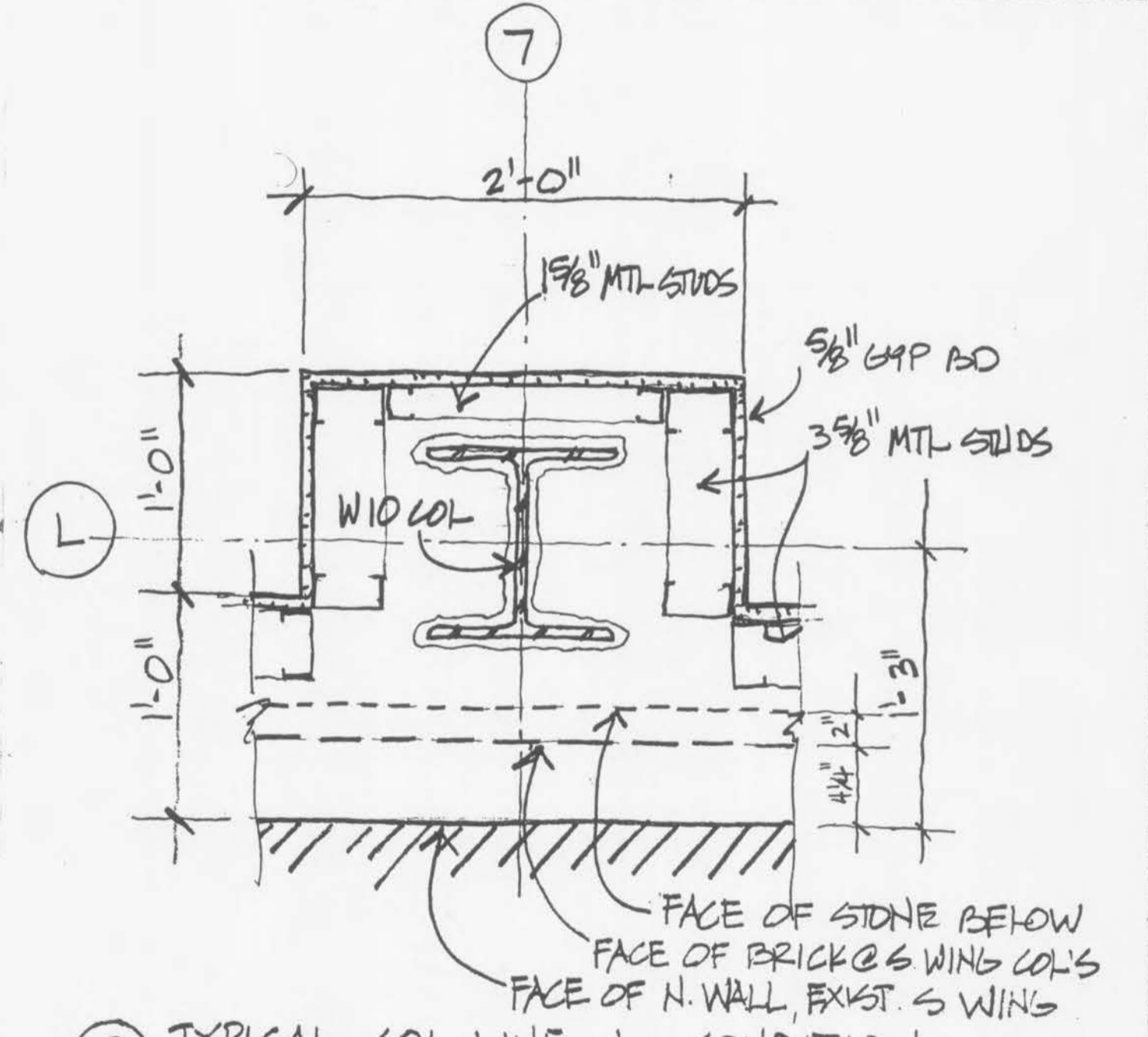
6 CONDITION @ J4
1/2" = 1'-0"



7 ELEVATOR SILL DETAIL
1/2" = 1'-0"



8 TYPICAL COL LINE J CONDITION
1/2" = 1'-0"



9 TYPICAL COL LINE L CONDITION
1/2" = 1'-0"