

KEYED NOTES:

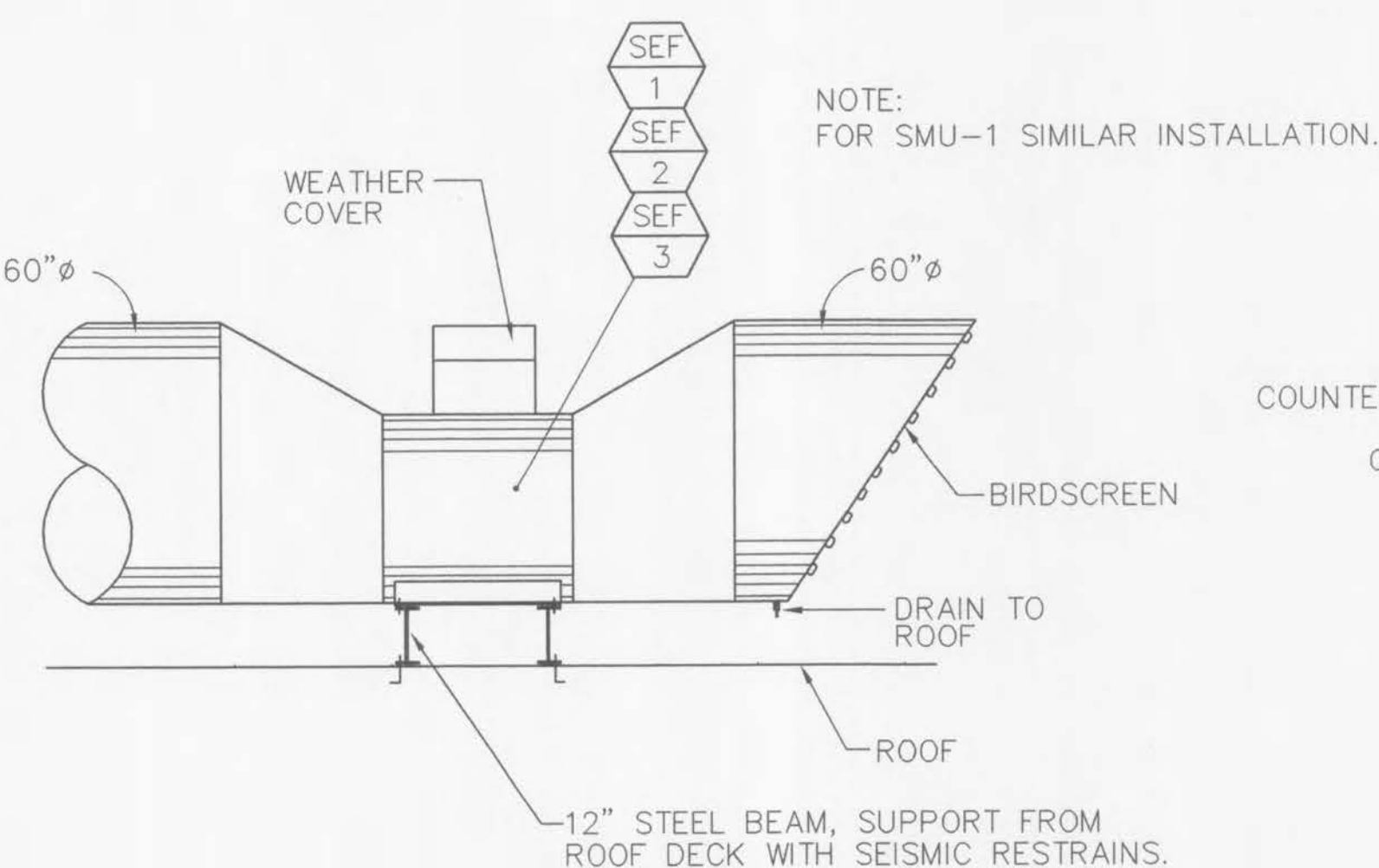
- ① CONDUCTIVITY PROBE.
- ② TOWER RECIRCULATING PUMP.
- ③ CHEMICAL PUMP
- ④ CHEMICAL DRUMS
- ⑤ TOWER CONTROLLER
- ⑥ 3/4" SOLENOID VALVE.

GENERAL NOTES:

1. COOLING TOWER WATER TREATMENT PROGRAM SHALL INCLUDE MONTHLY SERVICE WHILE SYSTEM IN OPERATION.
2. CHEMICALS FOR COOLING TOWER TREATMENT SHALL INCLUDE:
 - A. TWO (2) BIOCIDES (NO OXIDIZING BIOCIDES WILL BE ALLOWED).
 - B. BLENDED SCALE/CORROSION INHIBITOR FEATURING A POLYMER DISPERSANT, YELLOW METAL CORROSION INHIBITORS AND A MOLYBDATE TRACER. (CHROMATES AND PHOSPHATES WILL NOT BE ALLOWED).
3. EQUIPMENT FOR COOLING TOWER WATER TREATMENT:
 - A. THREE (3) CHEMICAL PUMPS WITH 12 GPD CAPACITY @ A MINIMUM OF 100 PSIG.
 - B. ONE (1) 3/4" SOLENOID VALVE.
 - C. ONE (1) COOLING TOWER CONTROLLER WITH BUILT-IN PROGRAMMABLE DUAL BIOCIDES FUNCTION BY THE QUALITY WATER TREATMENT DUAL BIOCIDES BLEED AND FEED TOWER CONTROLLER OR APPROVAL EQUAL.
 - D. TEST FOR MEASURING HARDNESS, SCALE INHIBITOR AND CONDUCTIVITY.
4. WATER TREATMENT FOR CLOSE HEAT PUMP LOOP:
 - A. CHEMICAL SHALL BE SODIUM NITRITE BASED PRODUCT WITH YELLOW METAL CORROSION INHIBITORS LINE QUALITY WATER TREATMENT FORMULA OR APPROVED EQUAL.
 - B. ONE (1) FIVE GALLON CHEMICAL BY-PASS FEEDER.

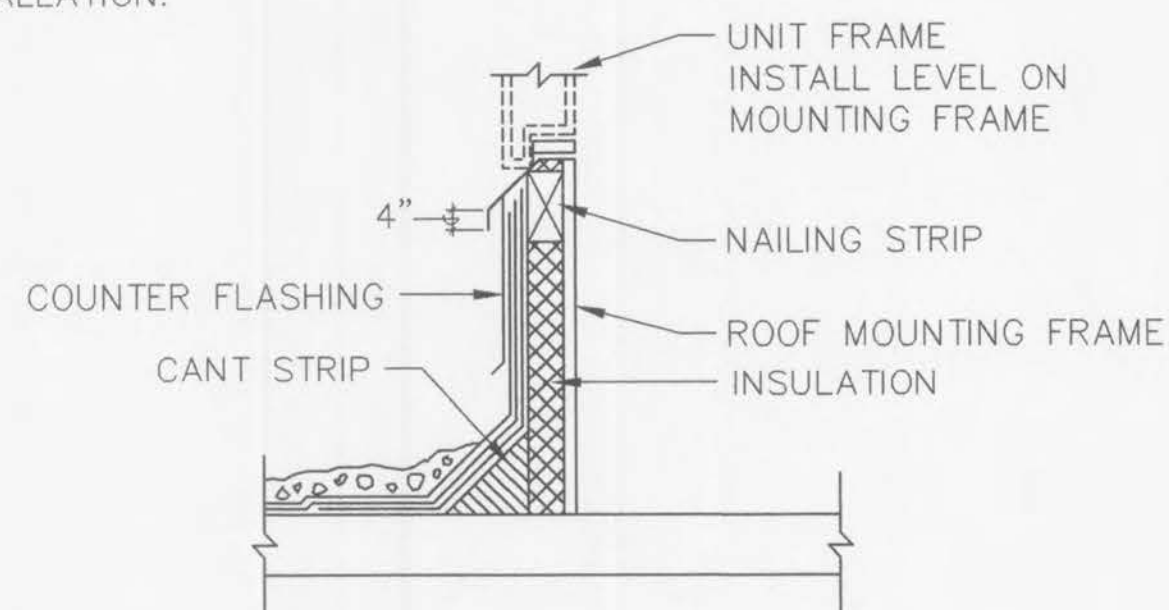
CHEMICAL TREATMENT SYSTEM FOR COOLING TOWER

NTS



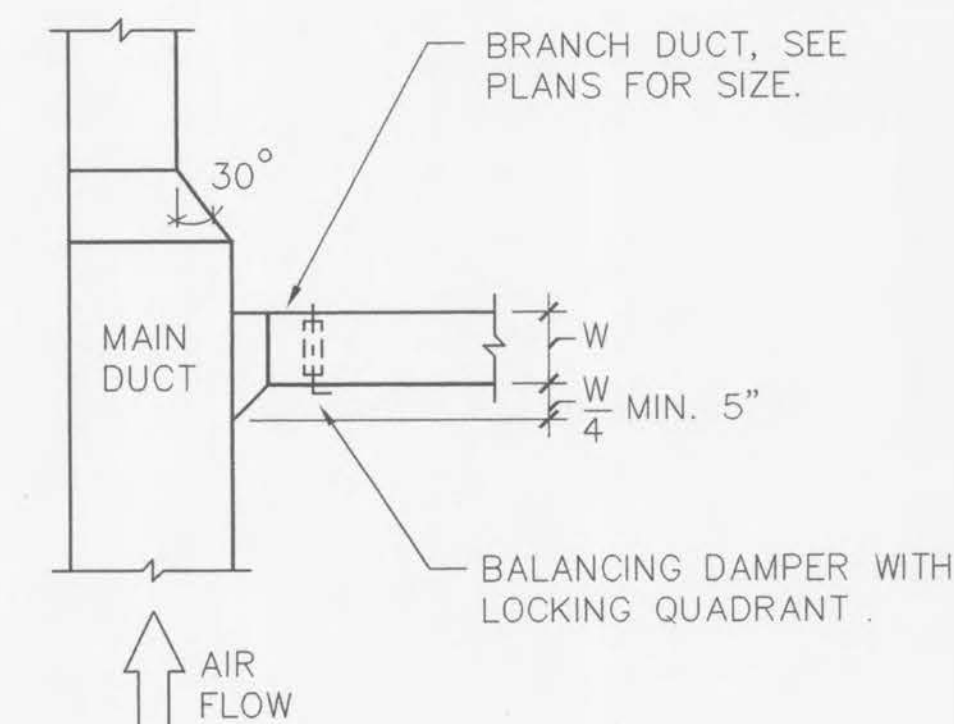
SMOKE EXHAUST FAN ON ROOF DETAIL

NTS



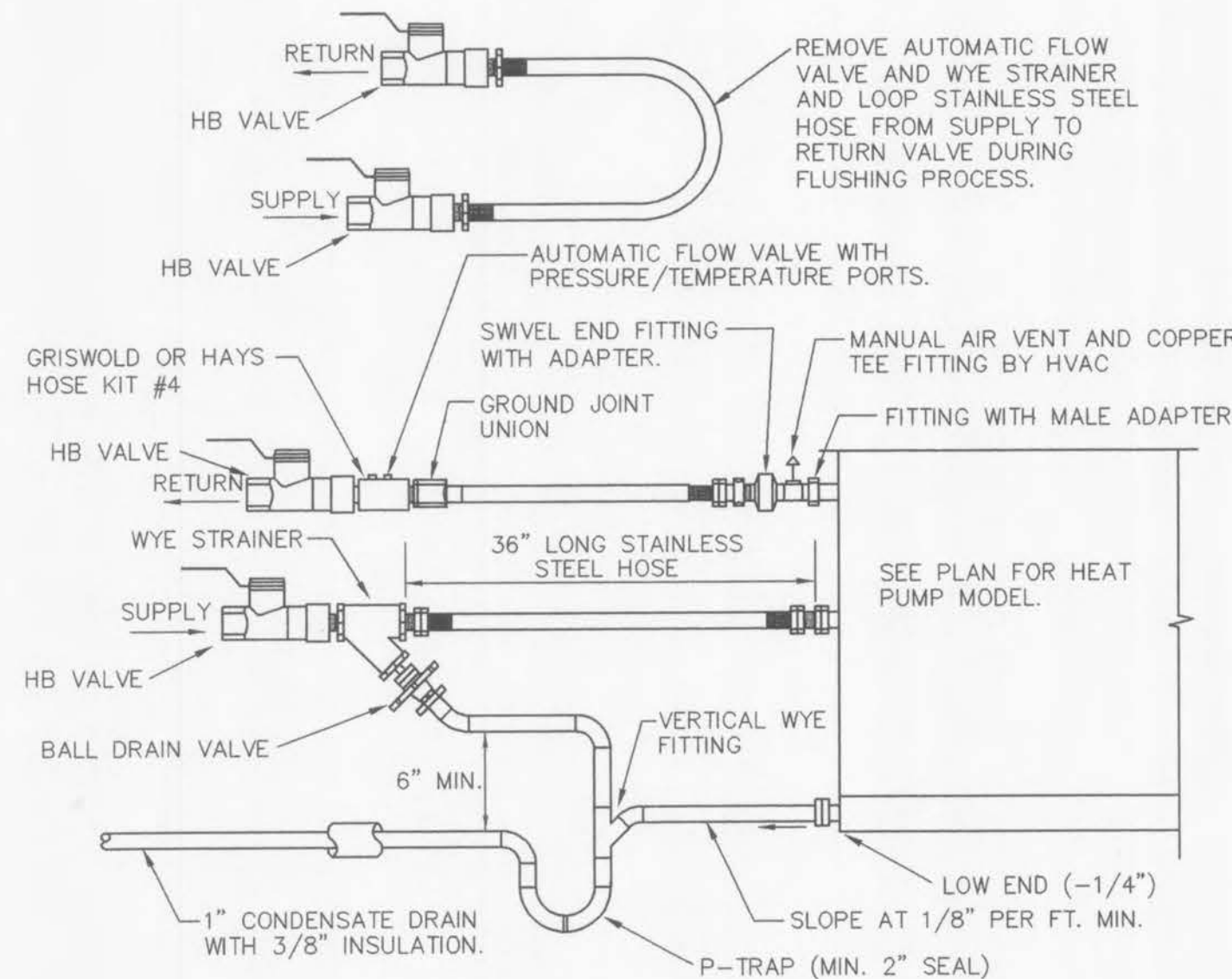
PRECONDITION UNIT ROOF CURB DETAIL

NTS



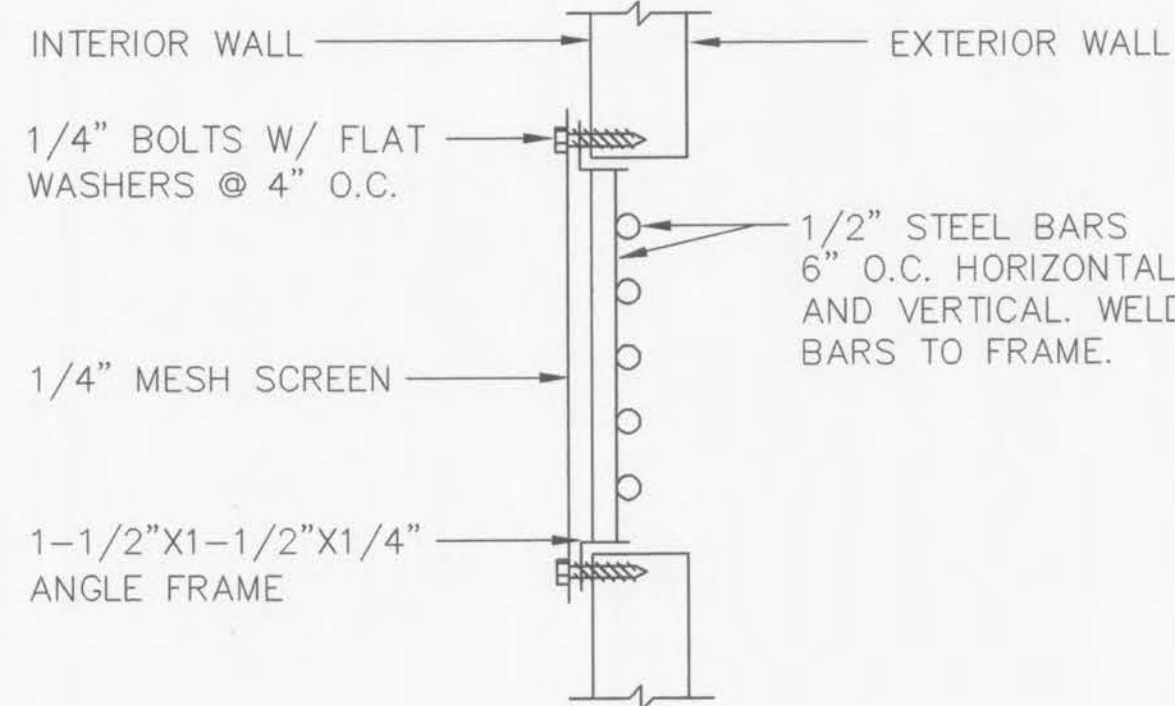
DUCT BRANCH DETAIL

NTS



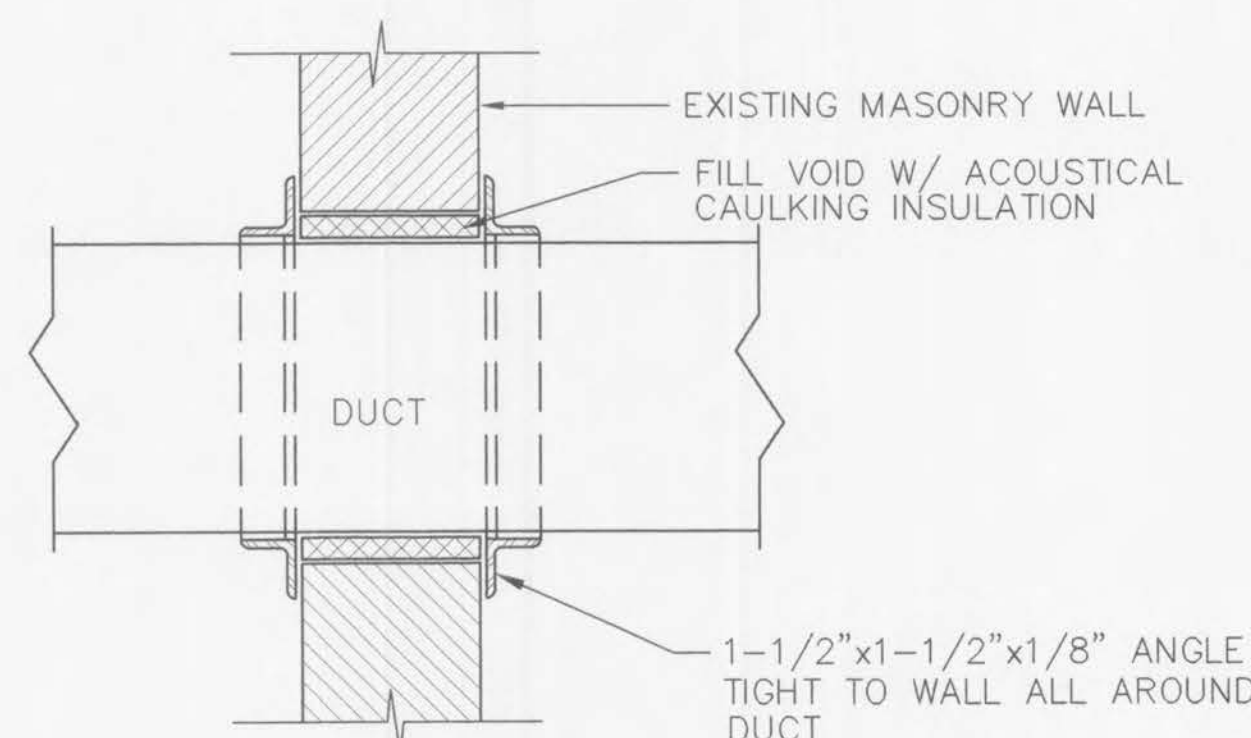
TYPICAL HEAT PUMP PIPING DETAIL

NTS



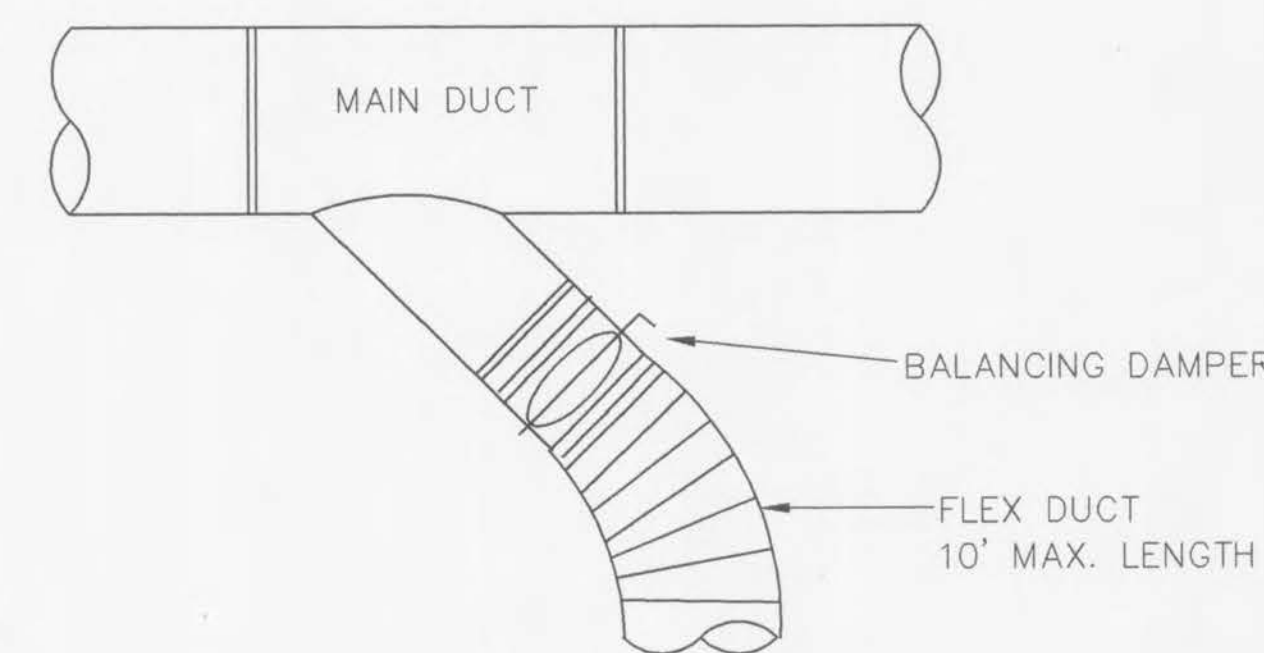
SECURITY BAR DETAIL

NTS



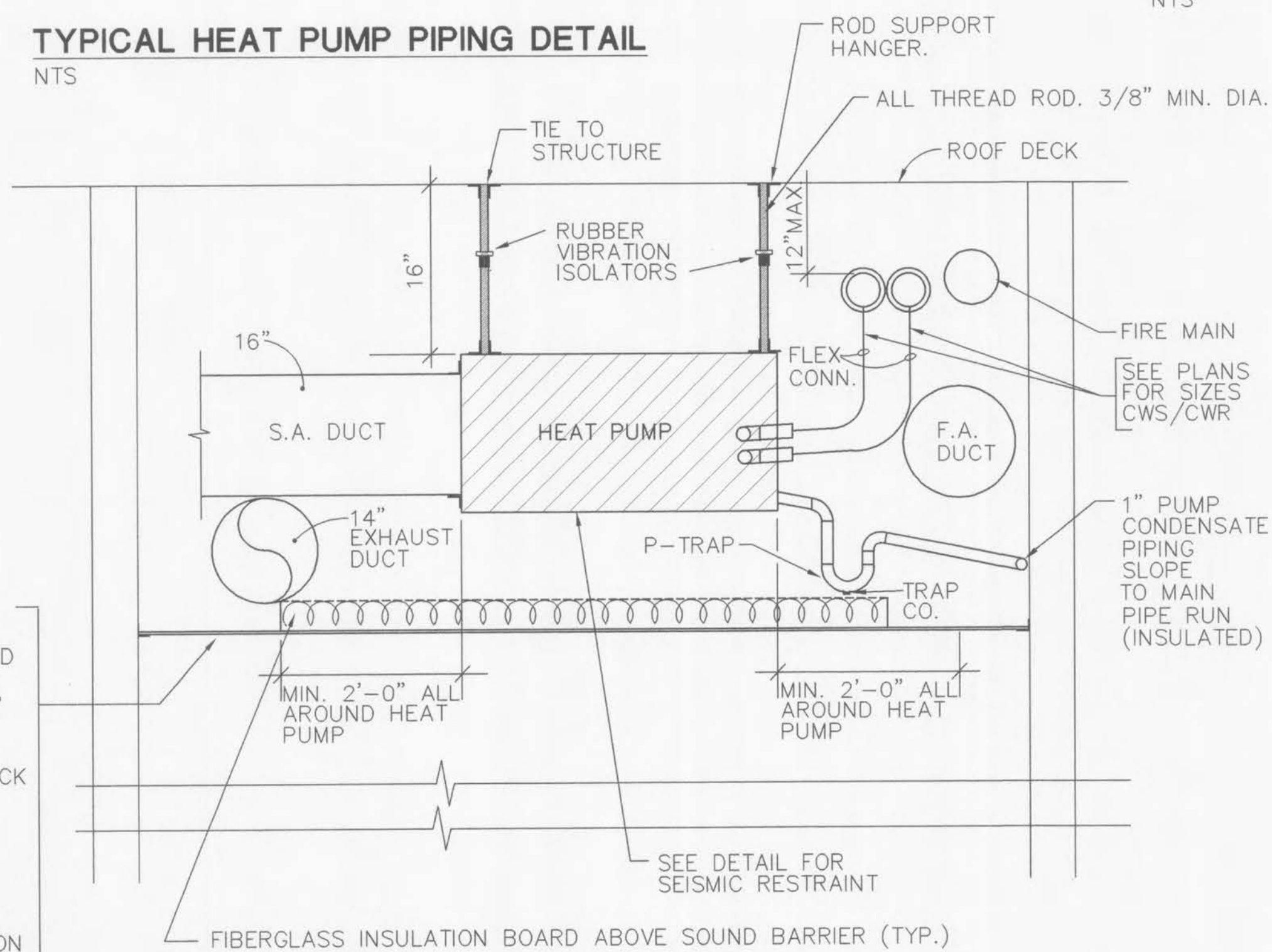
ACOUSTICAL CAULKING OF DUCT

NTS



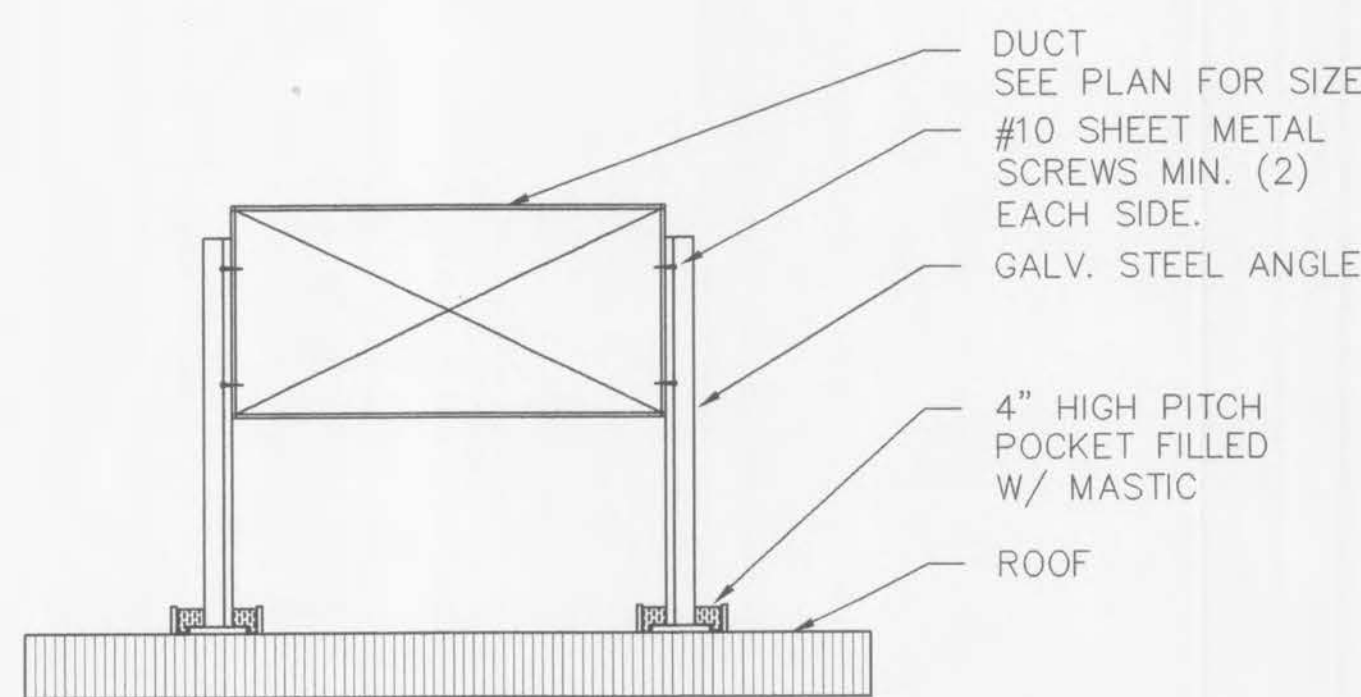
DUCT LATERAL

NTS



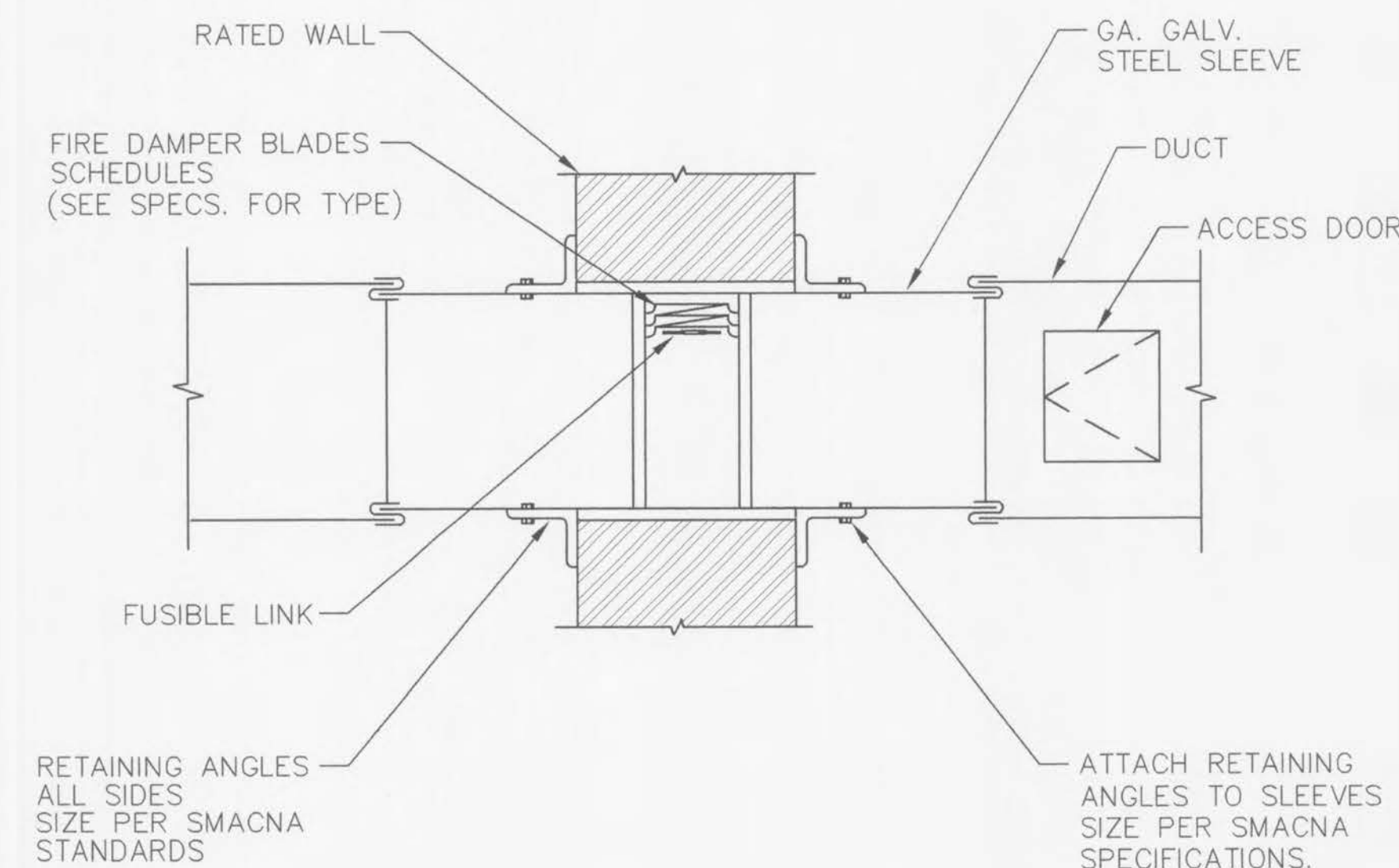
SECTION THRU CORRIDOR TYPICAL INSTALLATION

SCALE: 3/4"=1'-0"



DUCT SUPPORT DETAIL

NTS



FIRE DAMPER DETAIL

NTS

SOUND BARRIER ABOVE SUSPENDED CEILING, BELOW EACH HEAT PUMP LOCATION. SOUND BARRIER SHALL BE III BRUCK SONEX PROSPEE BARRIER. 125" LOADED VINYL 1 LB/SQ. FT. DENSITY, PER UL94V0, WITH 4-8 DB REDUCTION IN 63 HZ BAND.



Revisions

CONSTRUCTION ISSUE	DECEMBER 5, 1997
--------------------	------------------

Project No.	96036
Date	SEPT. 4, 1997
Designed	
Drawn	
Drawing No.	H-17