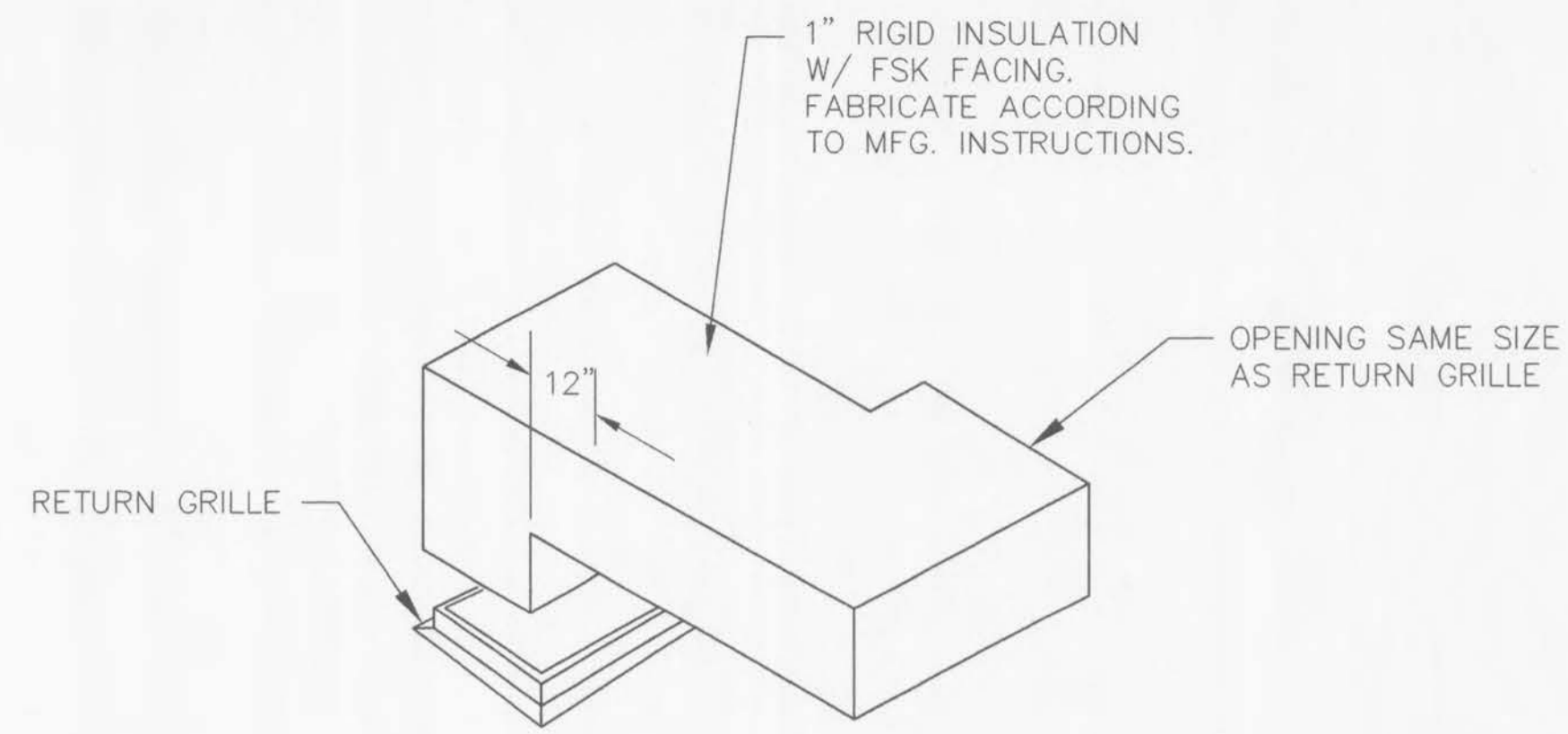


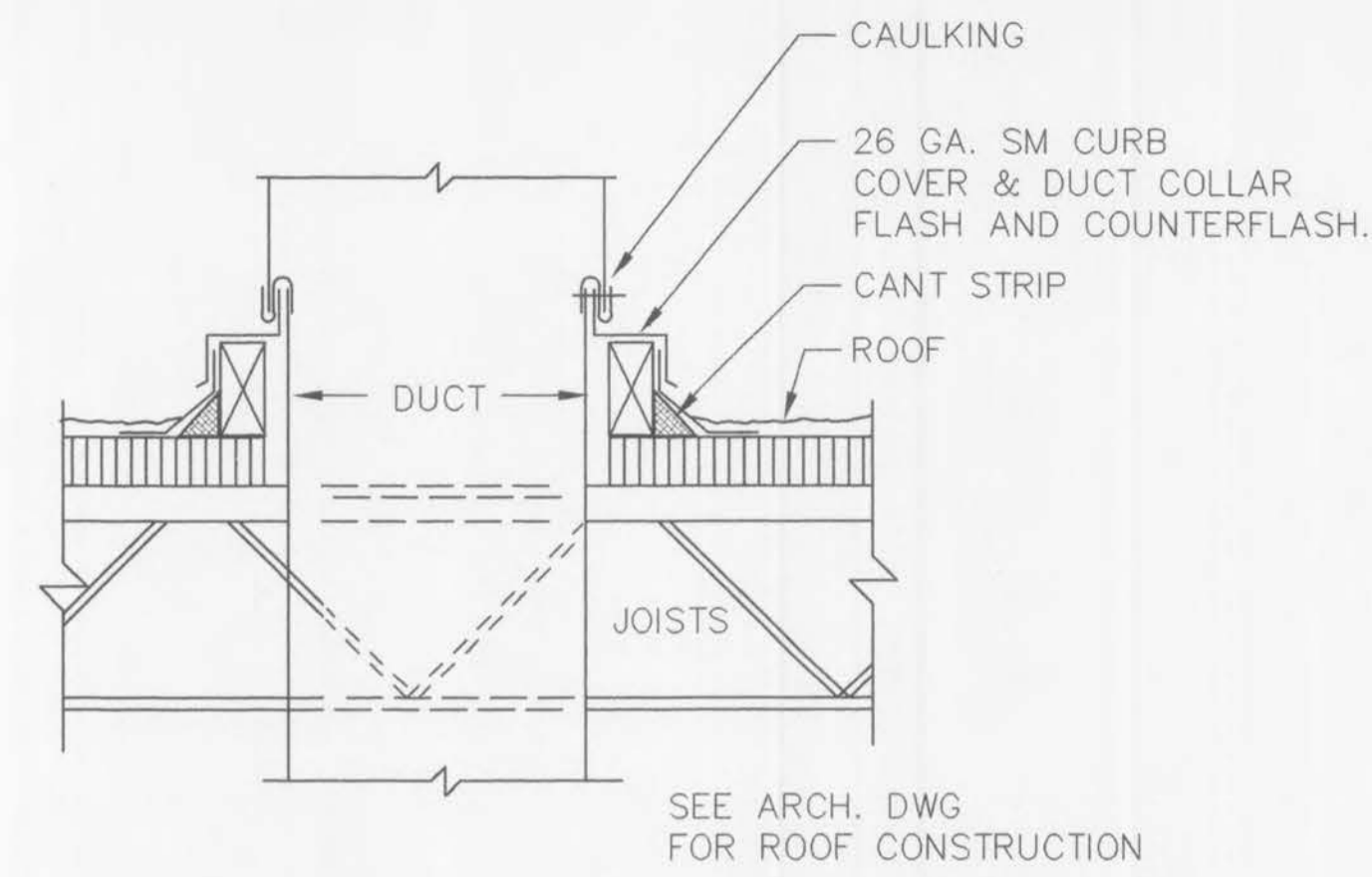
**SLOT DIFFUSER DETAIL**

NTS



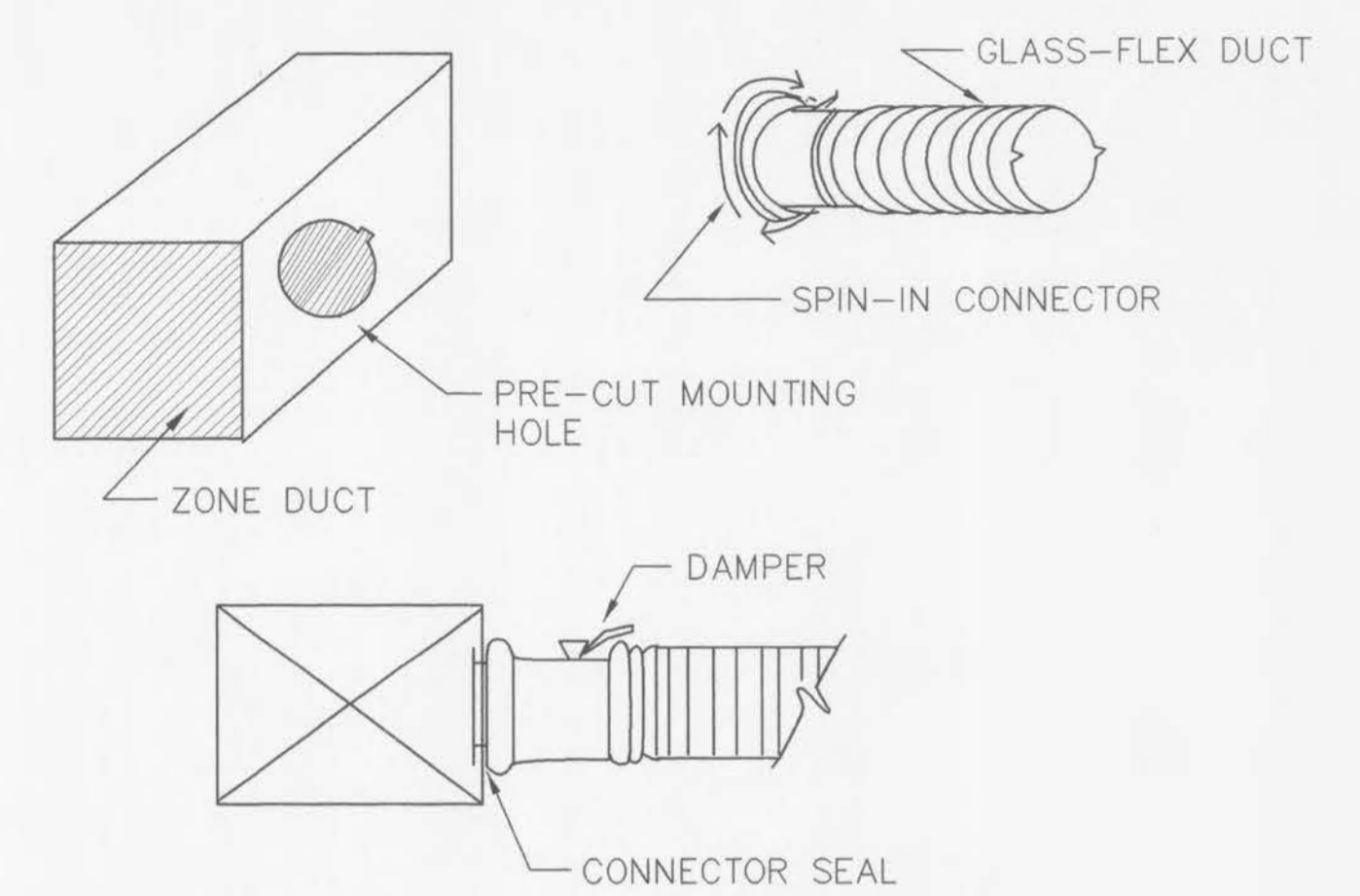
**SOUND TRAP DETAIL**

NTS



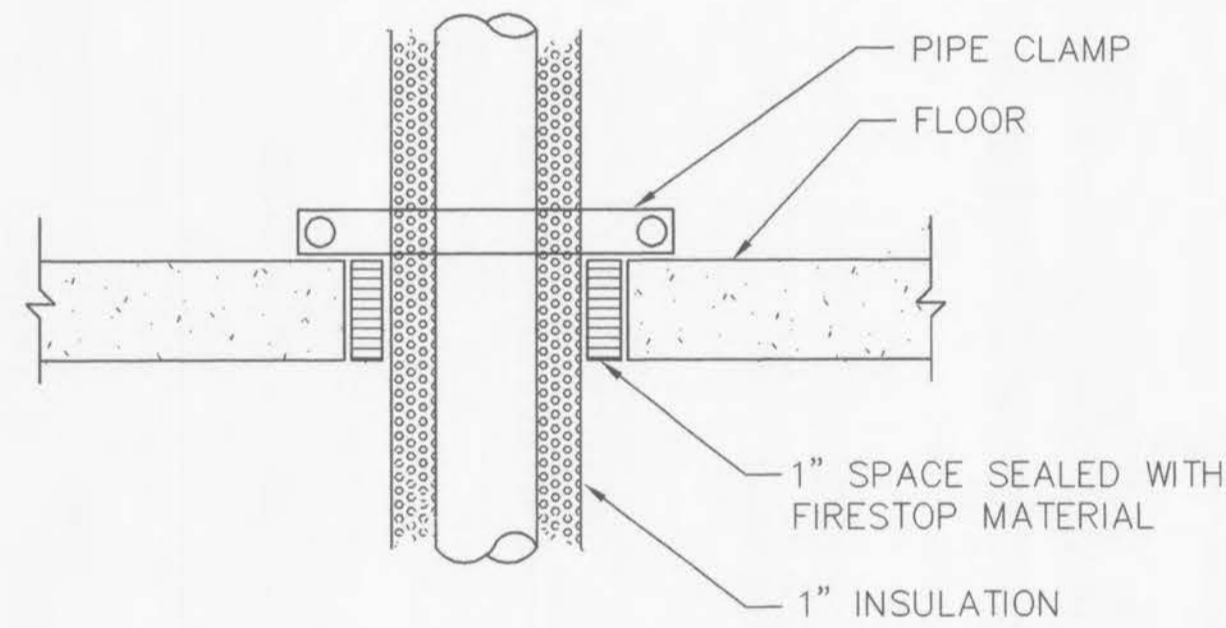
**ROOF PENETRATION DETAIL**

NTS



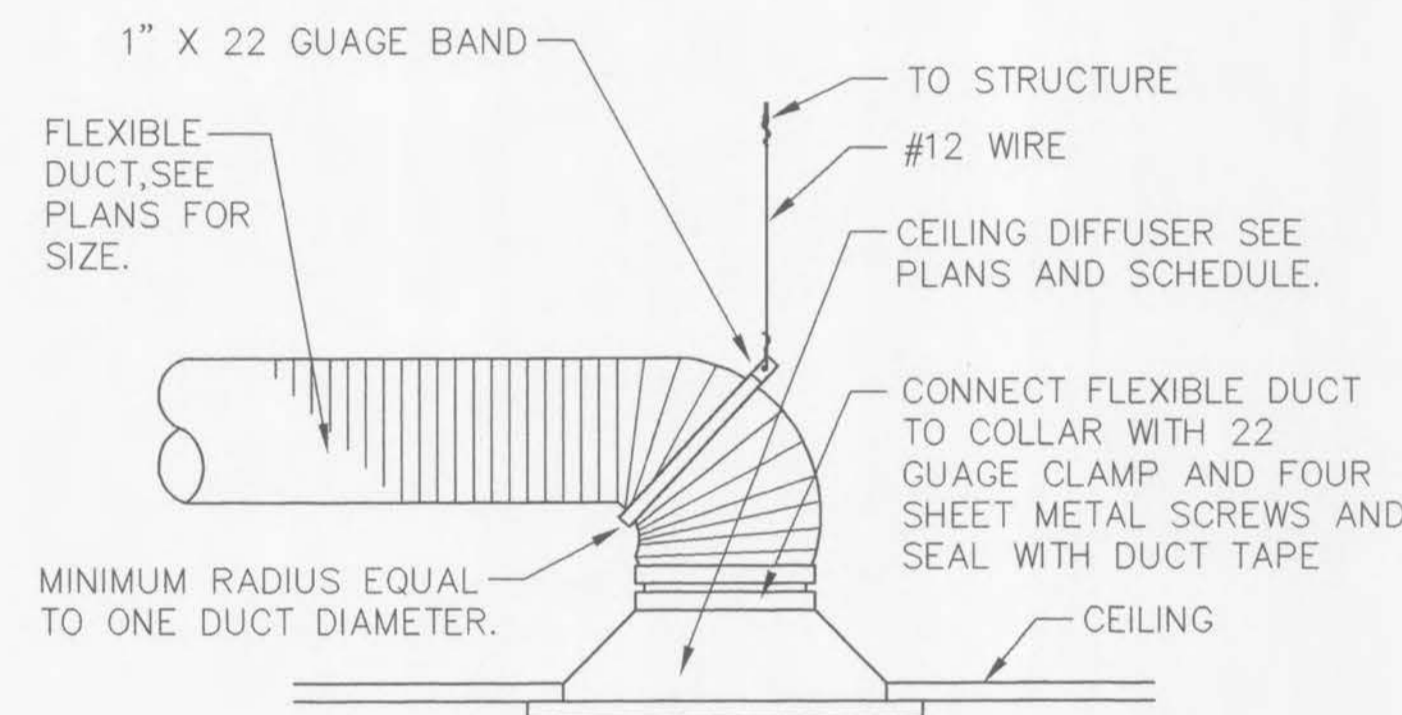
**DUCT CONNECTOR DETAIL**

NTS



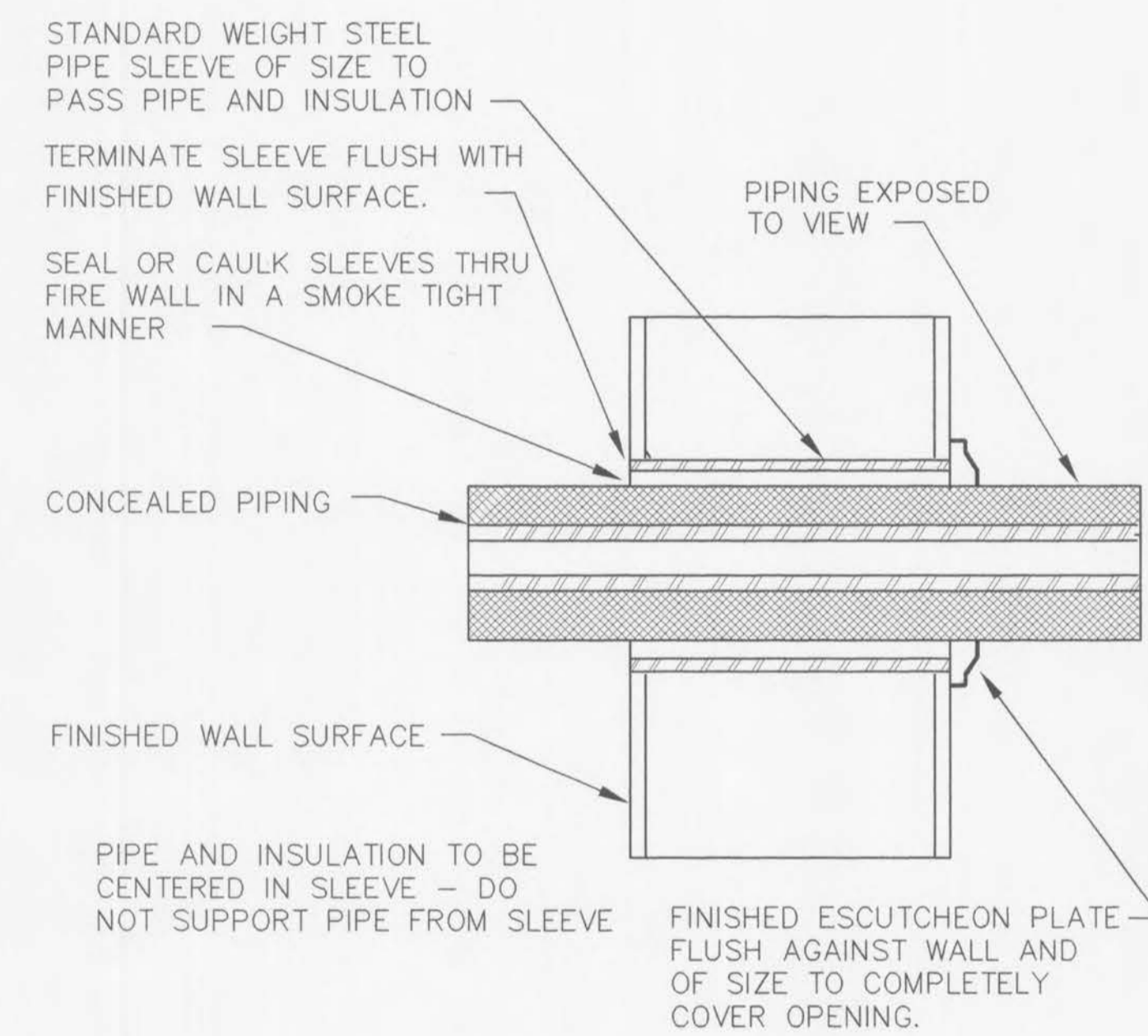
**PIPE SUPPORT DETAIL**

NTS



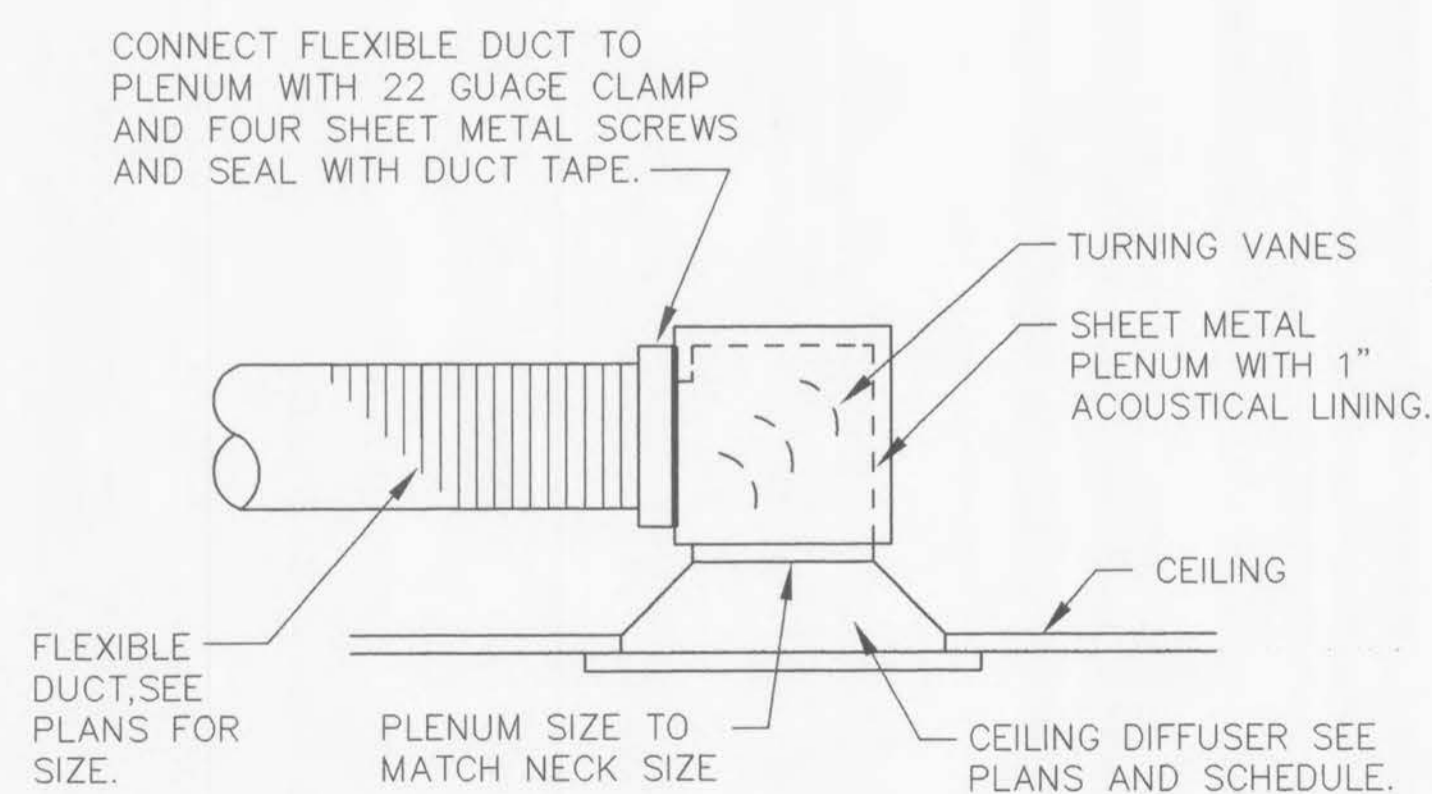
**DIFFUSER DETAIL**

NTS



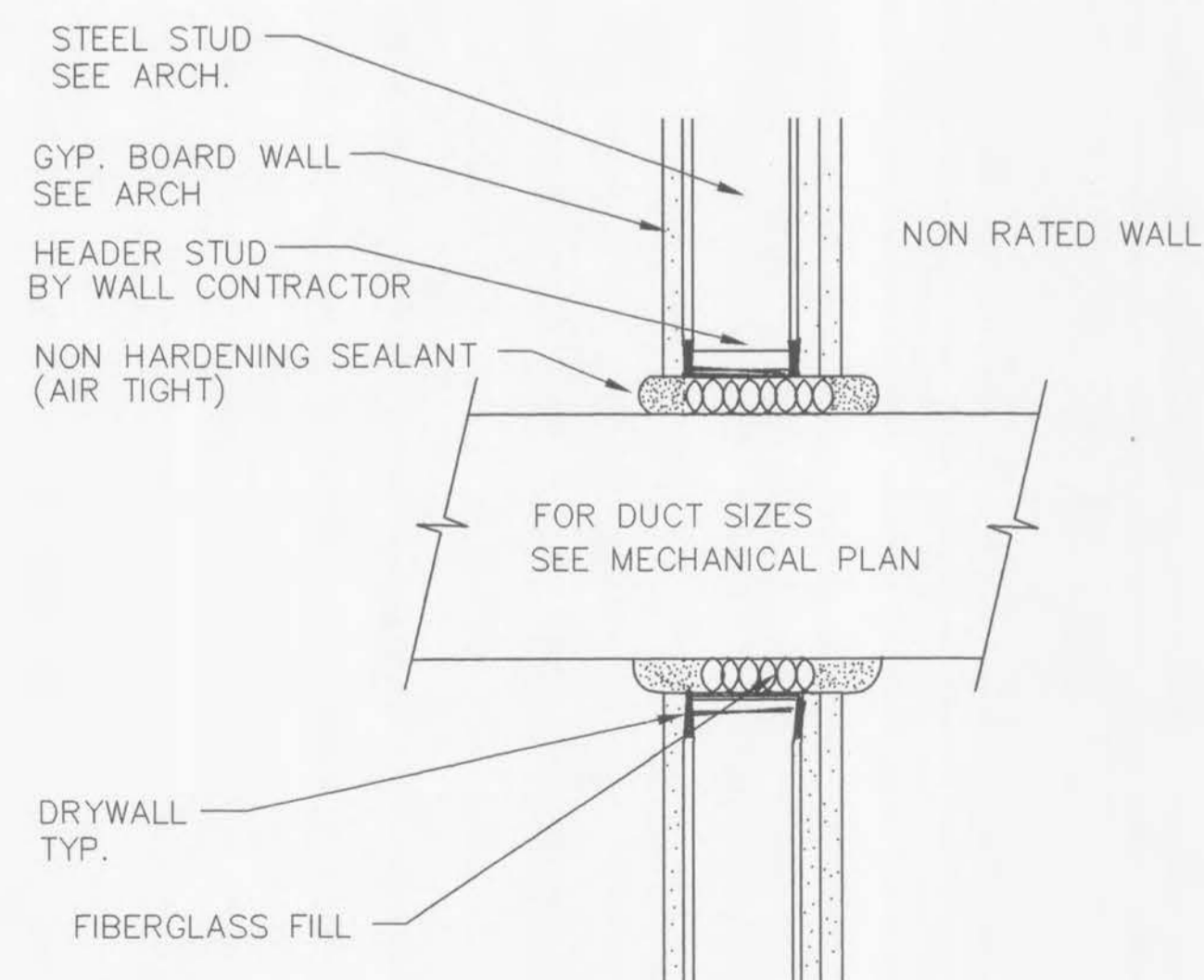
**PIPE THRU INTERIOR WALL**

NTS



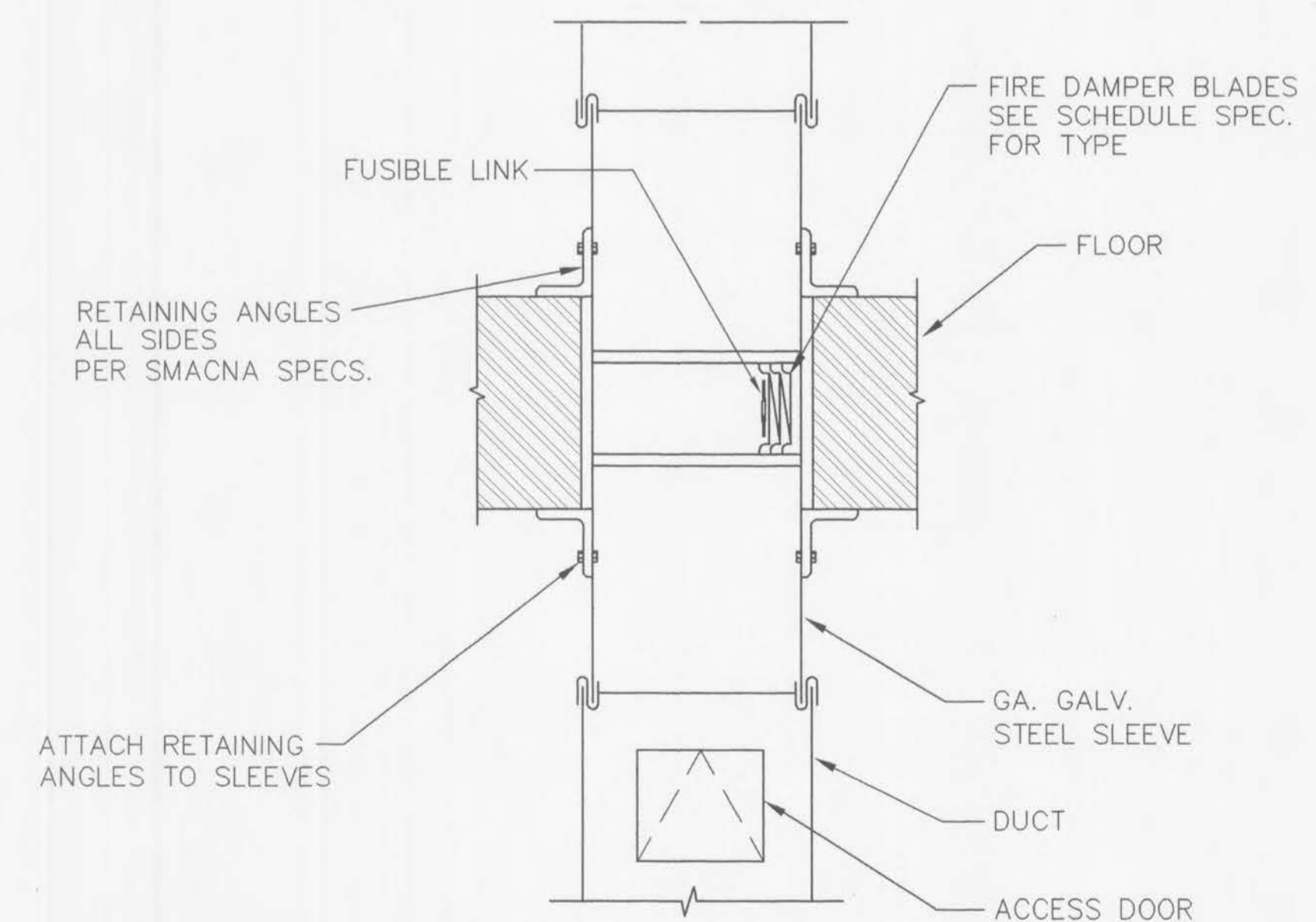
**DIFFUSER DETAIL**

NTS



**DUCT PENETRATION**

NTS



**FIRE DAMPER DETAIL**

NTS



Revisions

CONSTRUCTION ISSUE  
DECEMBER 5, 1997

Project No. 96036  
Date SEPT. 4, 1997  
Designed  
Drawn  
Drawing No.