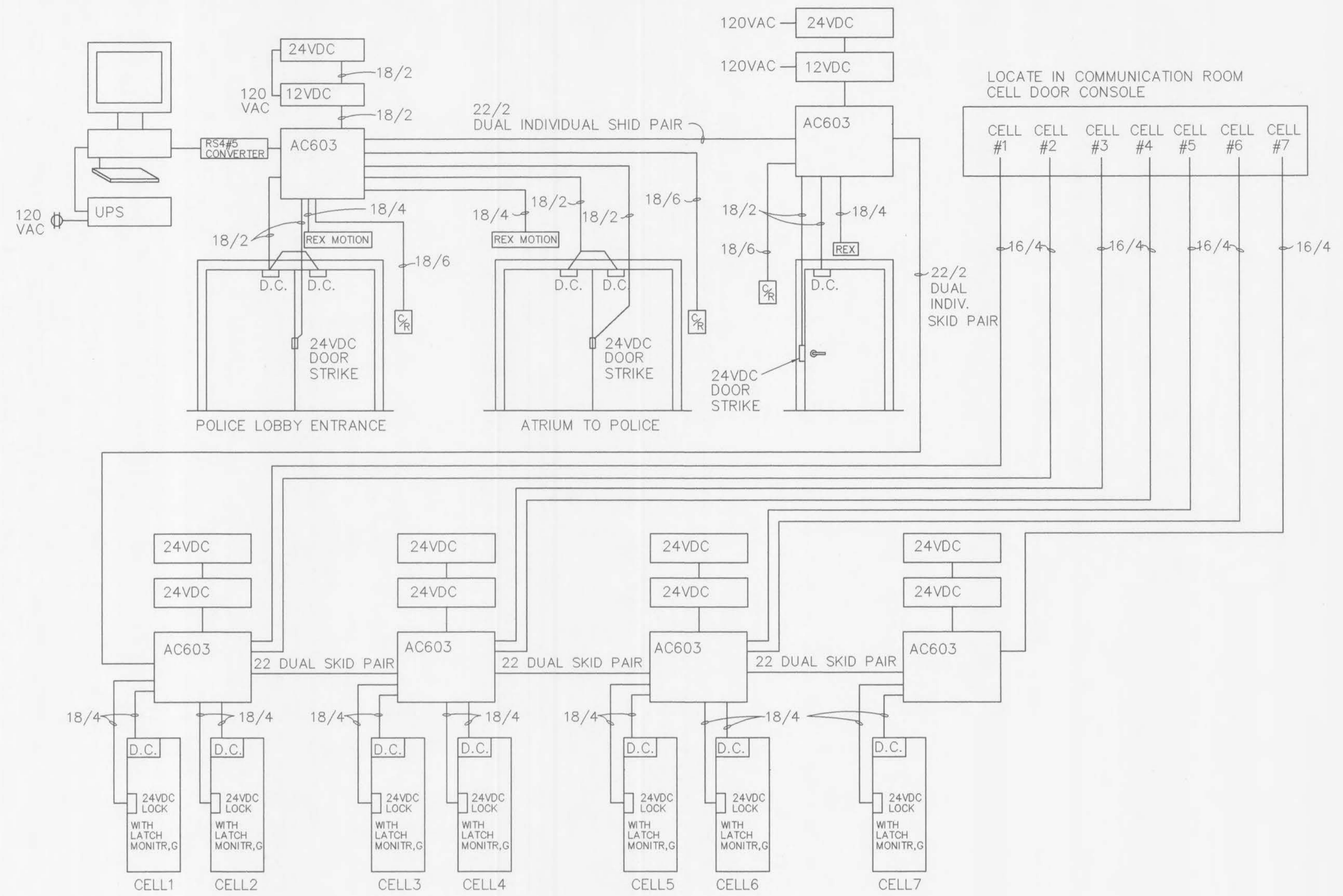


**CAMERA SYSTEM ONE LINE**  
NTS



**ACCESS CONTROL SYSTEM ONE LINE DIAGRAM**  
NTS



Revisions

CONSTRUCTION ISSUE  
DECEMBER 5, 1997

Project No. 96036

Date SEPT. 4, 1997

Designed

Drawn MAG3

Drawing No.

**FA-2**