



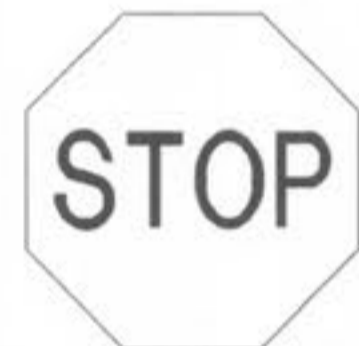
S1



S2

DO NOT ENTER ONE WAY

S3



S4



S5

CAUTION TWO WAY TRAFFIC

S6



S7

POLICE MORE PARKING DELIVERIES

S8

DELIVERIES

S9

POLICE ONLY

S10

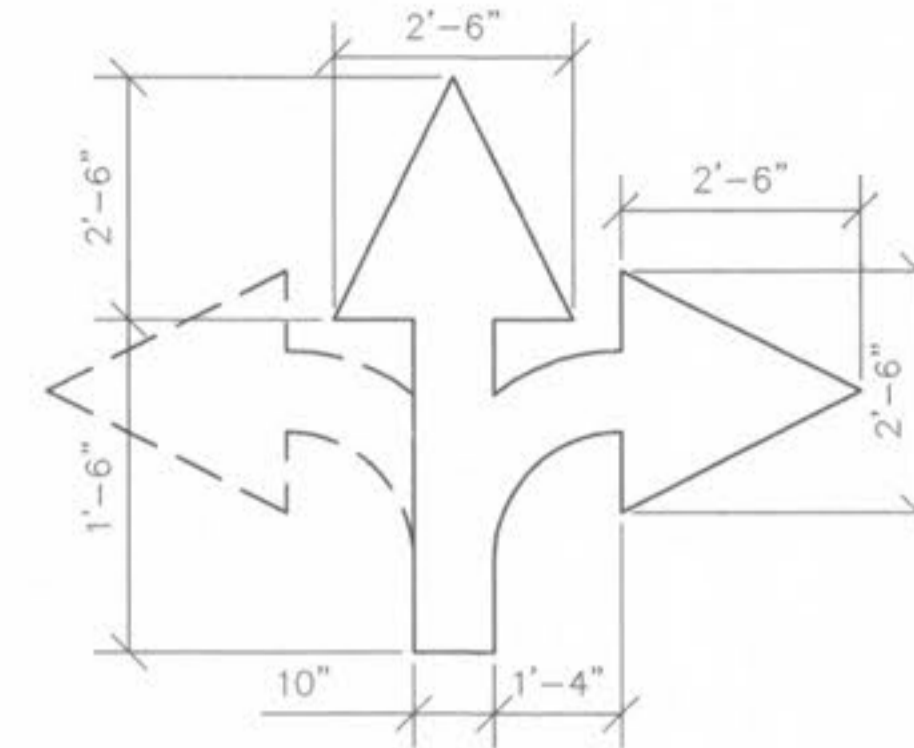
O'FALLON POLICE CITY HALL

S11

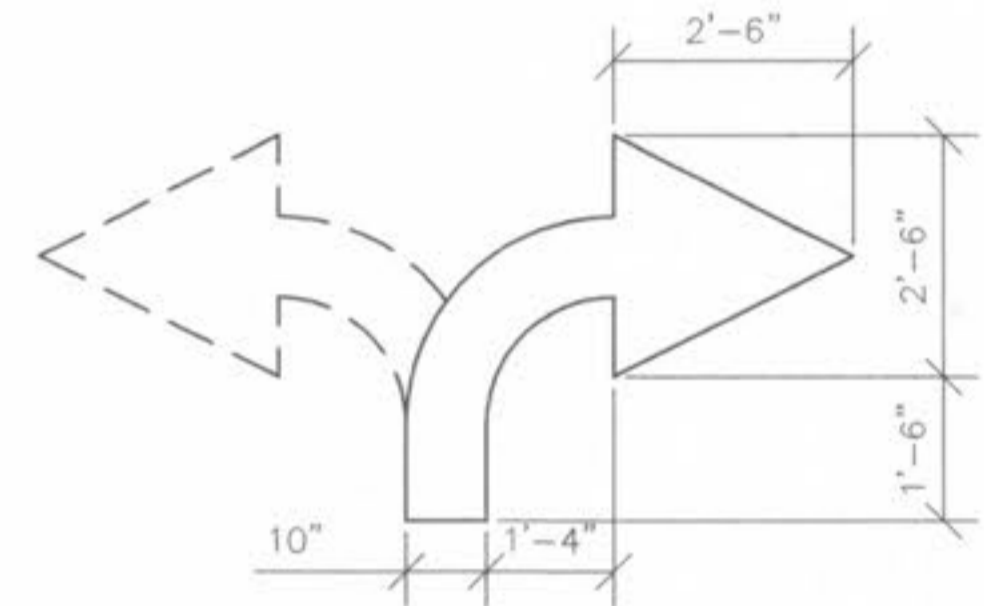


S12

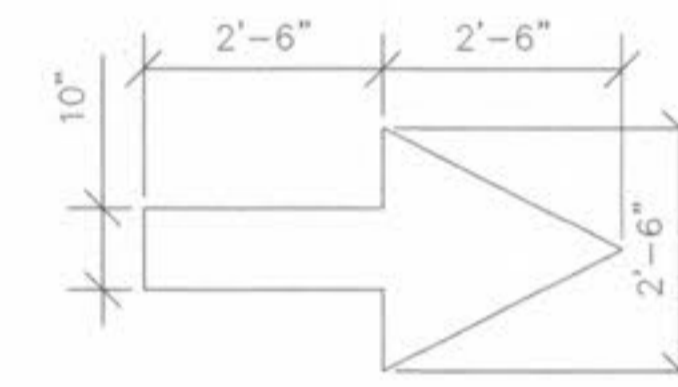
\*S-9 VISITOR'S PARKING



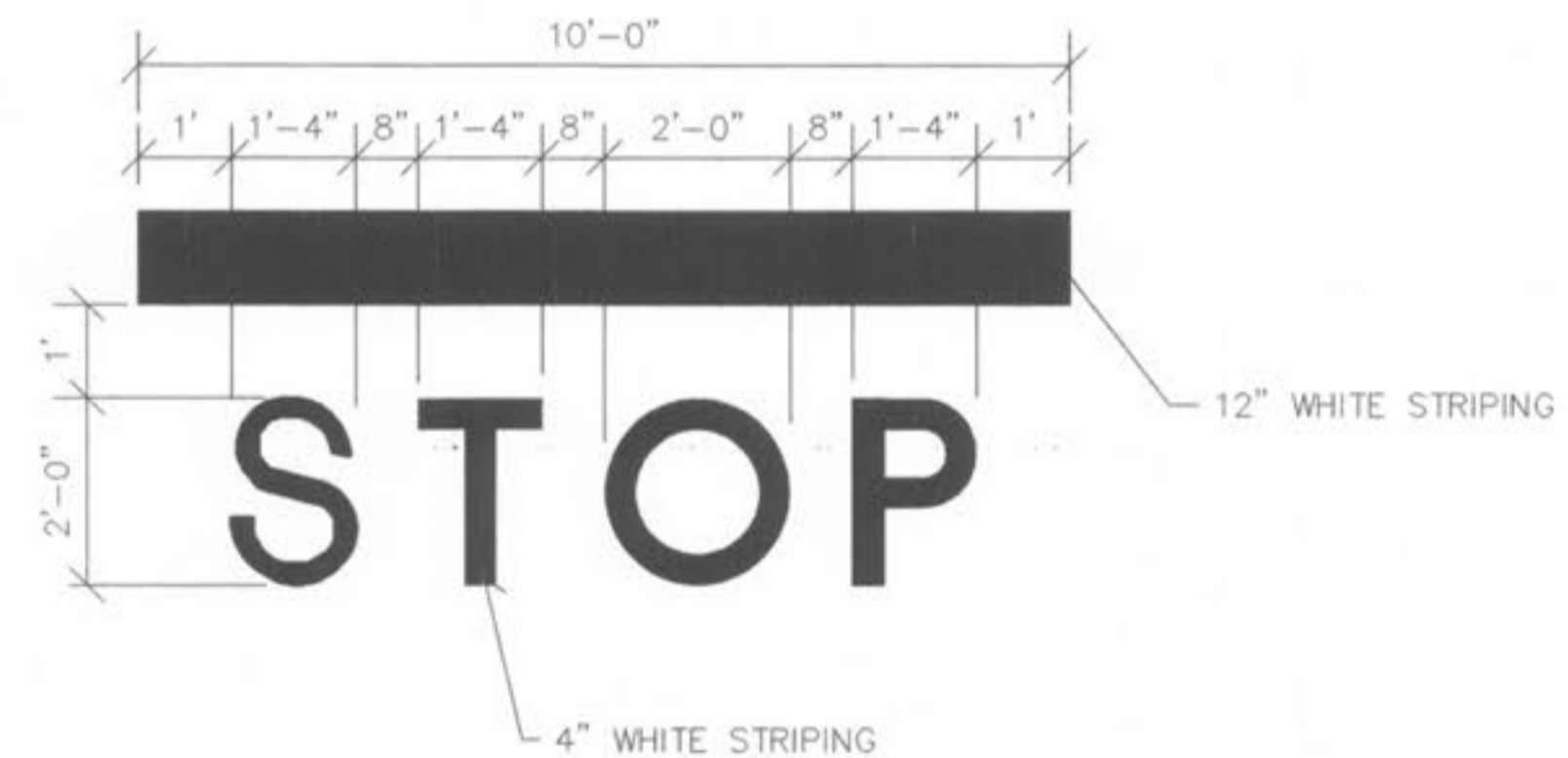
STRAIGHT OR RIGHT (SR) (OR LEFT (SL)) TURN PAVEMENT ARROW



LEFT (L) (OR RIGHT (R)) TURN ONLY PAVEMENT ARROW



PAVEMENT ARROW (S)



PAINTED STOP MARKING



DASHED CENTERLINE

