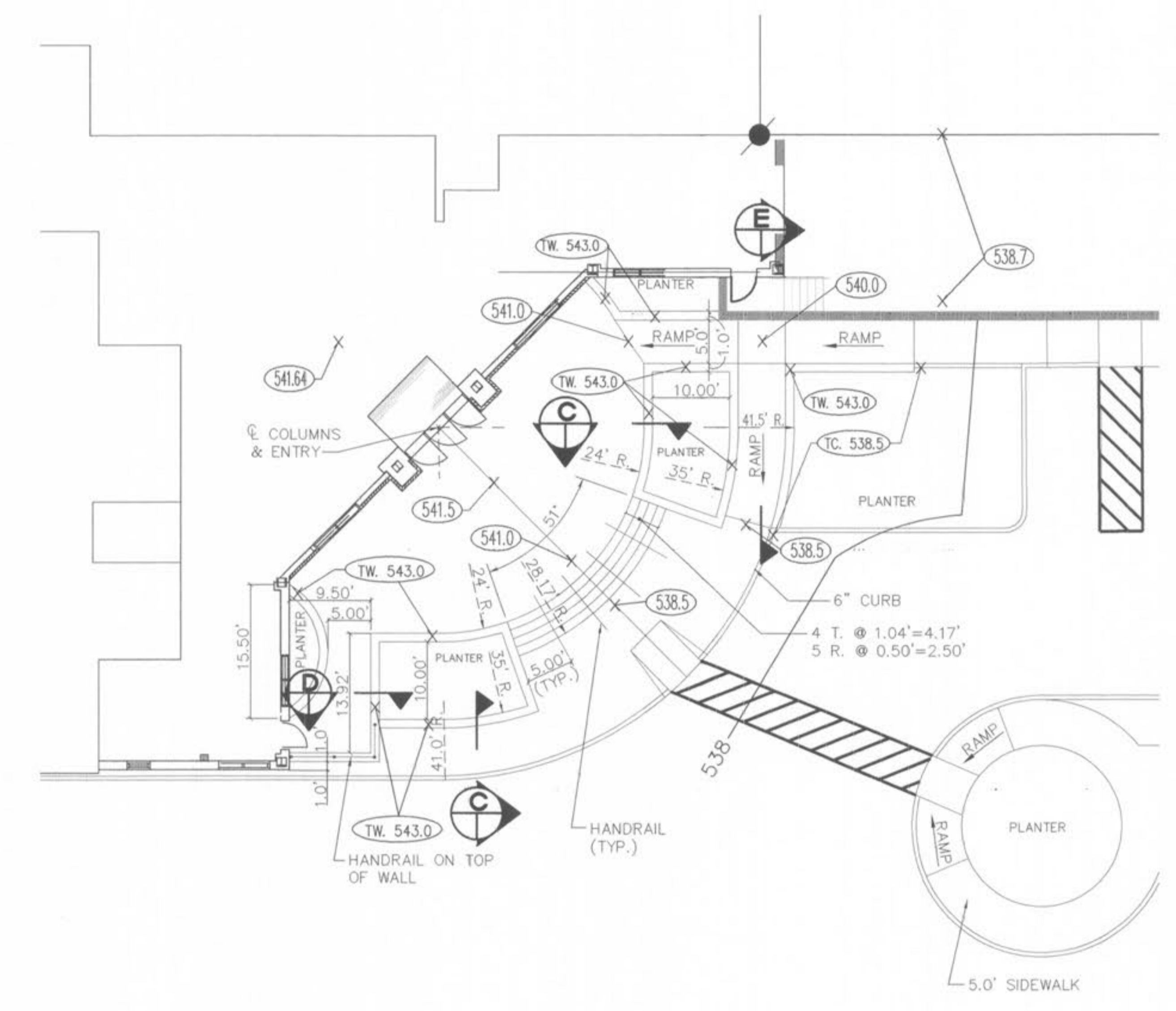
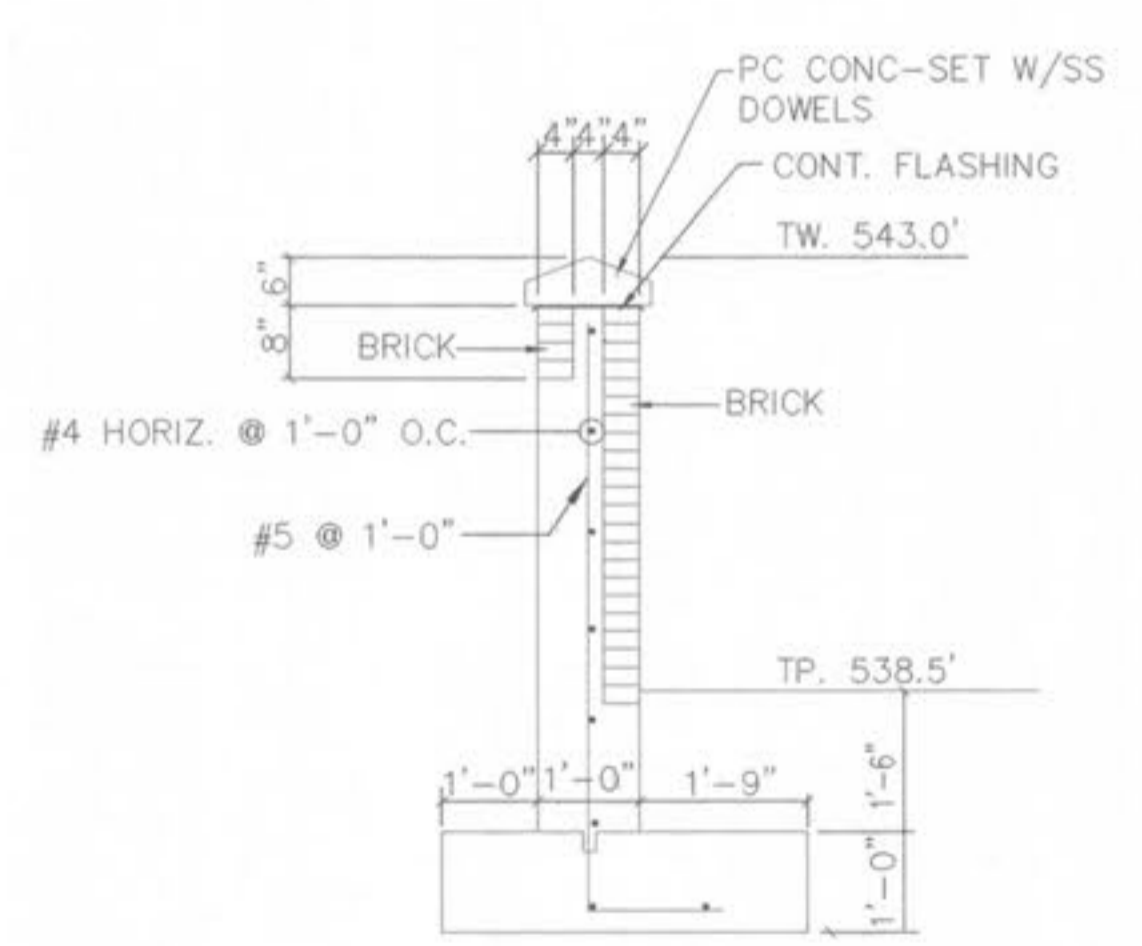


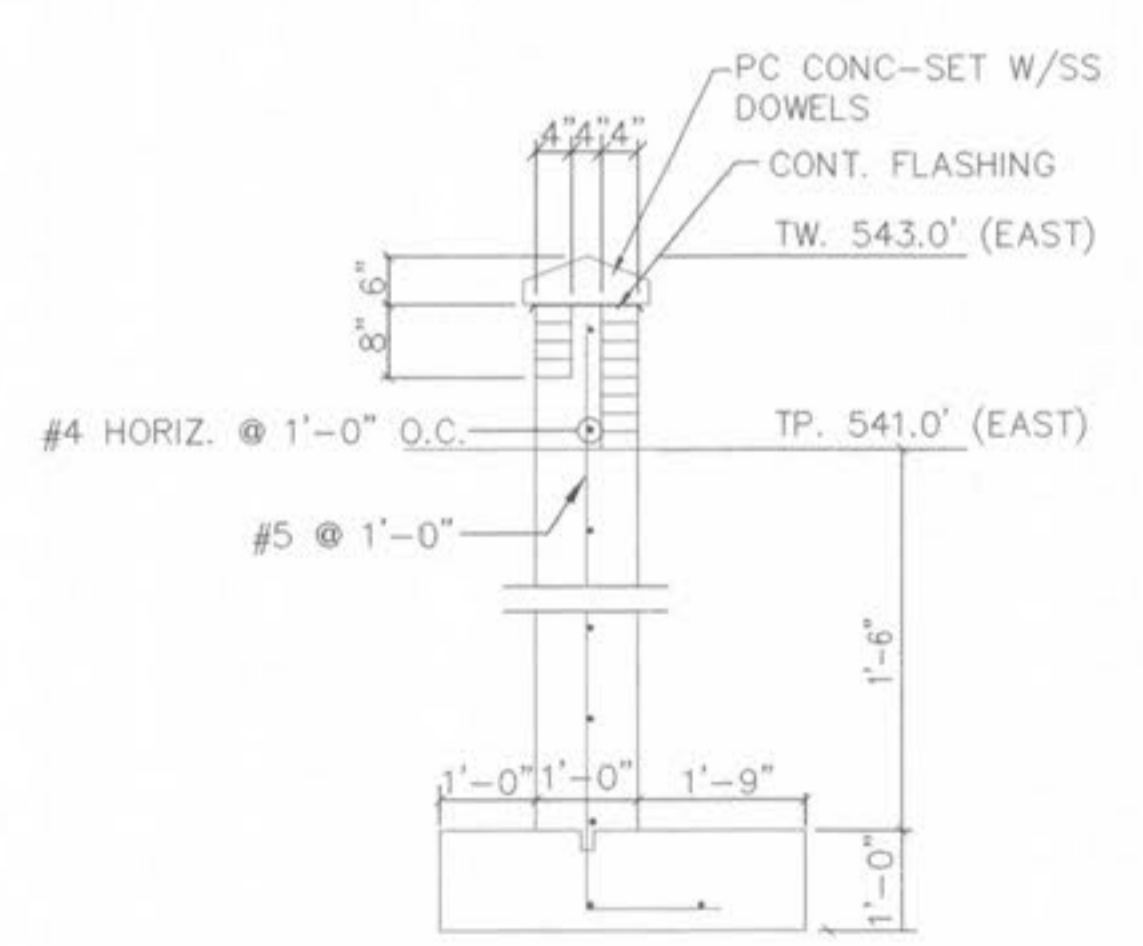
A WEST ENTRANCE PLAN
 SCALE: 1" = 10'



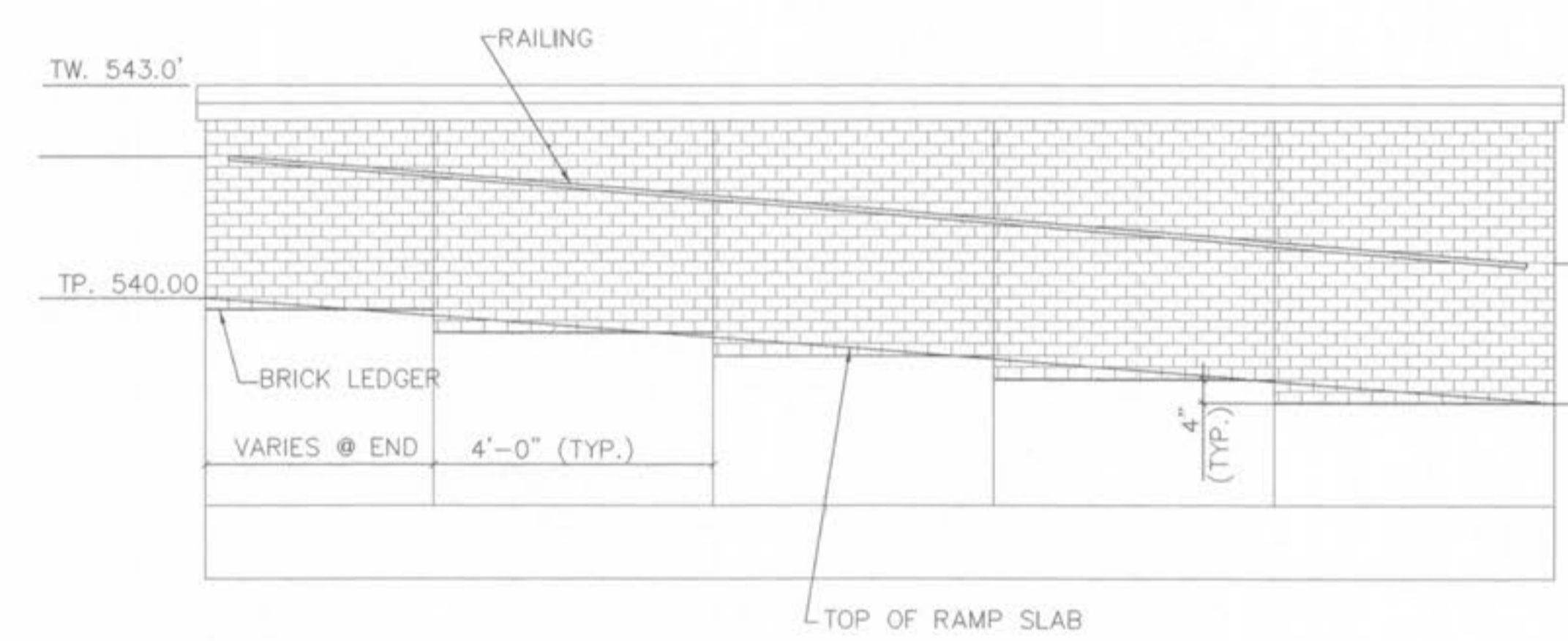
B EAST ENTRANCE PLAN
 SCALE: 1" = 10'



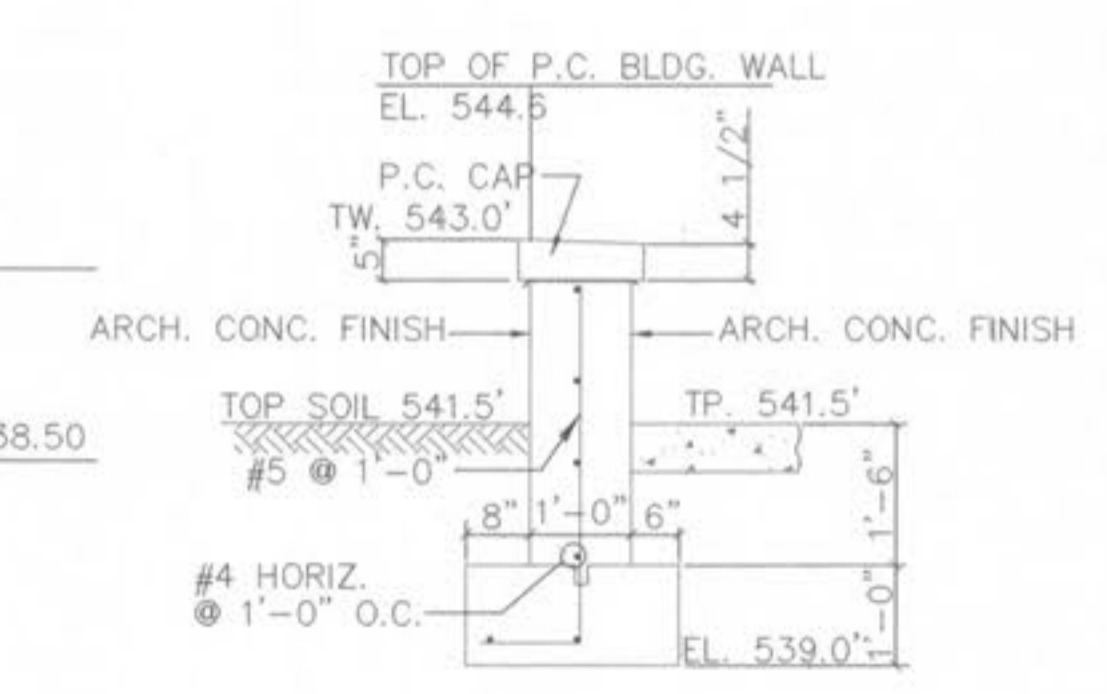
C PLANTER WALL SECTION
 SCALE: 1" = 2'



D PLANTER WALL SECTION
 SCALE: 1" = 2'



E BRICK LEDGER & RAMPS
 SCALE: 1" = 2'



F PLANTER WALL SECTION
 SCALE: 1" = 2'