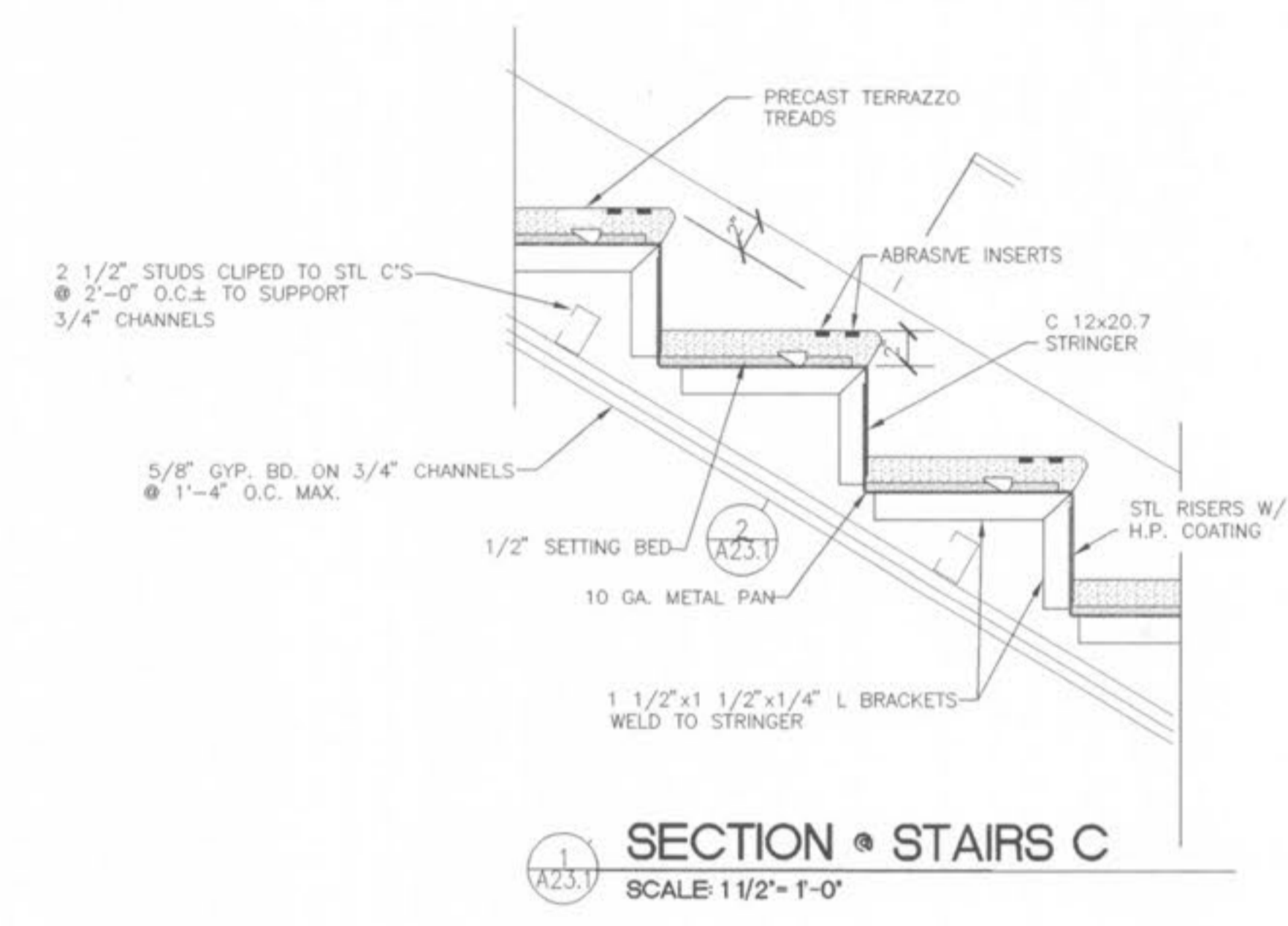
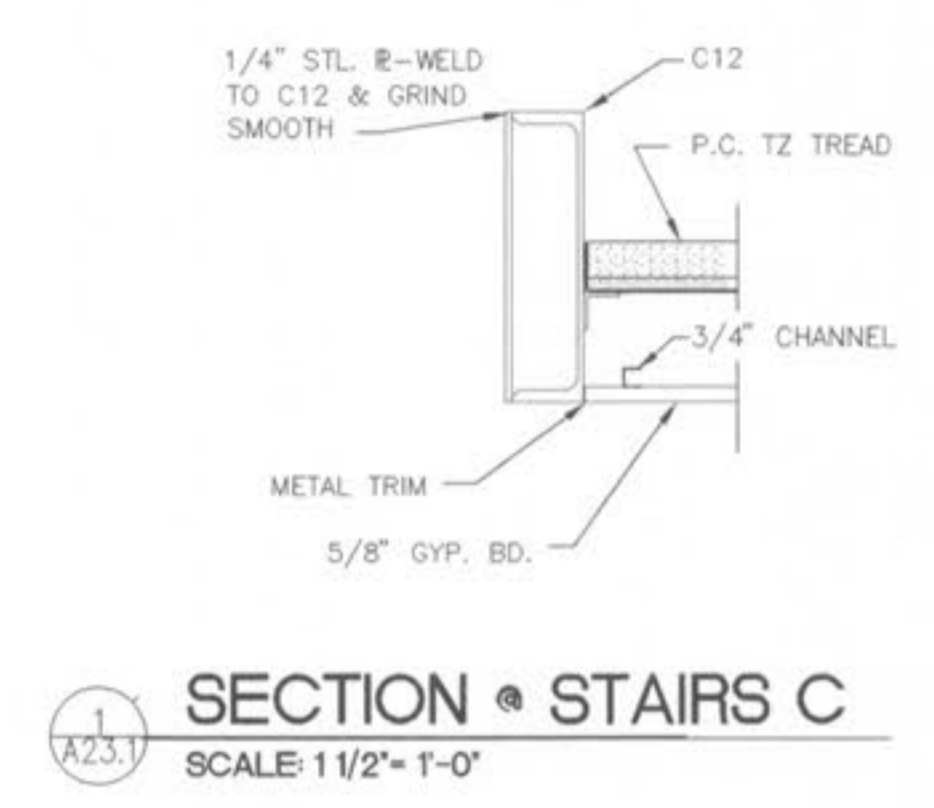


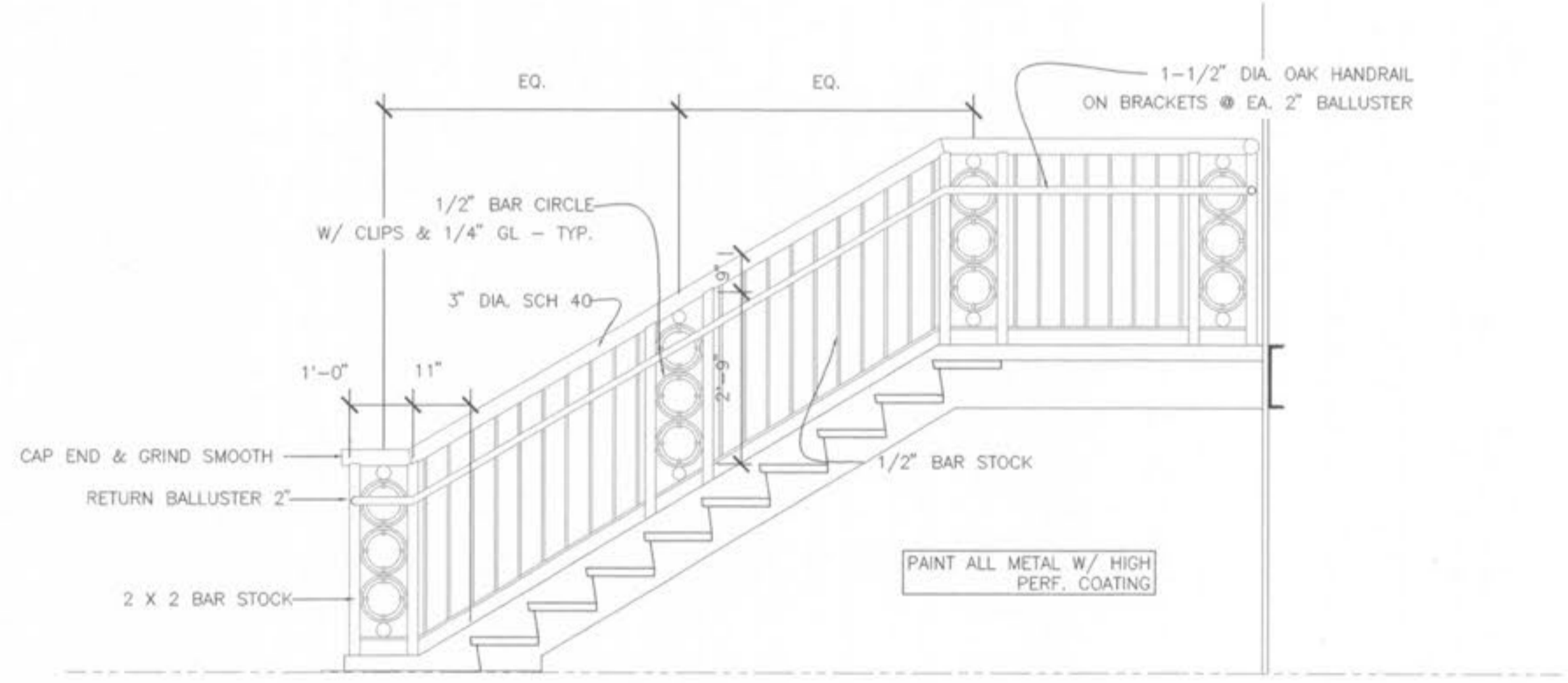
4 SECTION • STAIRS C
SCALE: 1/4" = 1'-0"



1 SECTION • STAIRS C
SCALE: 1 1/2" = 1'-0"



2 SECTION • STAIRS C
SCALE: 1 1/2" = 1'-0"



SECTION AT GUARDRAIL
SCALE: 1/2" = 1'-0"

| |
|--|
| Revisions |
| CONSTRUCTION ISSUE DECEMBER 5, 1997 |
| CHANGE ORDER NO. 1 JANUARY 27, 1998 |

| | |
|-------------|---------------|
| Project No. | 96036 |
| Date | SEPT. 4, 1997 |
| Designed | |
| Drawn | |
| Drawing No. | A-23.2 |