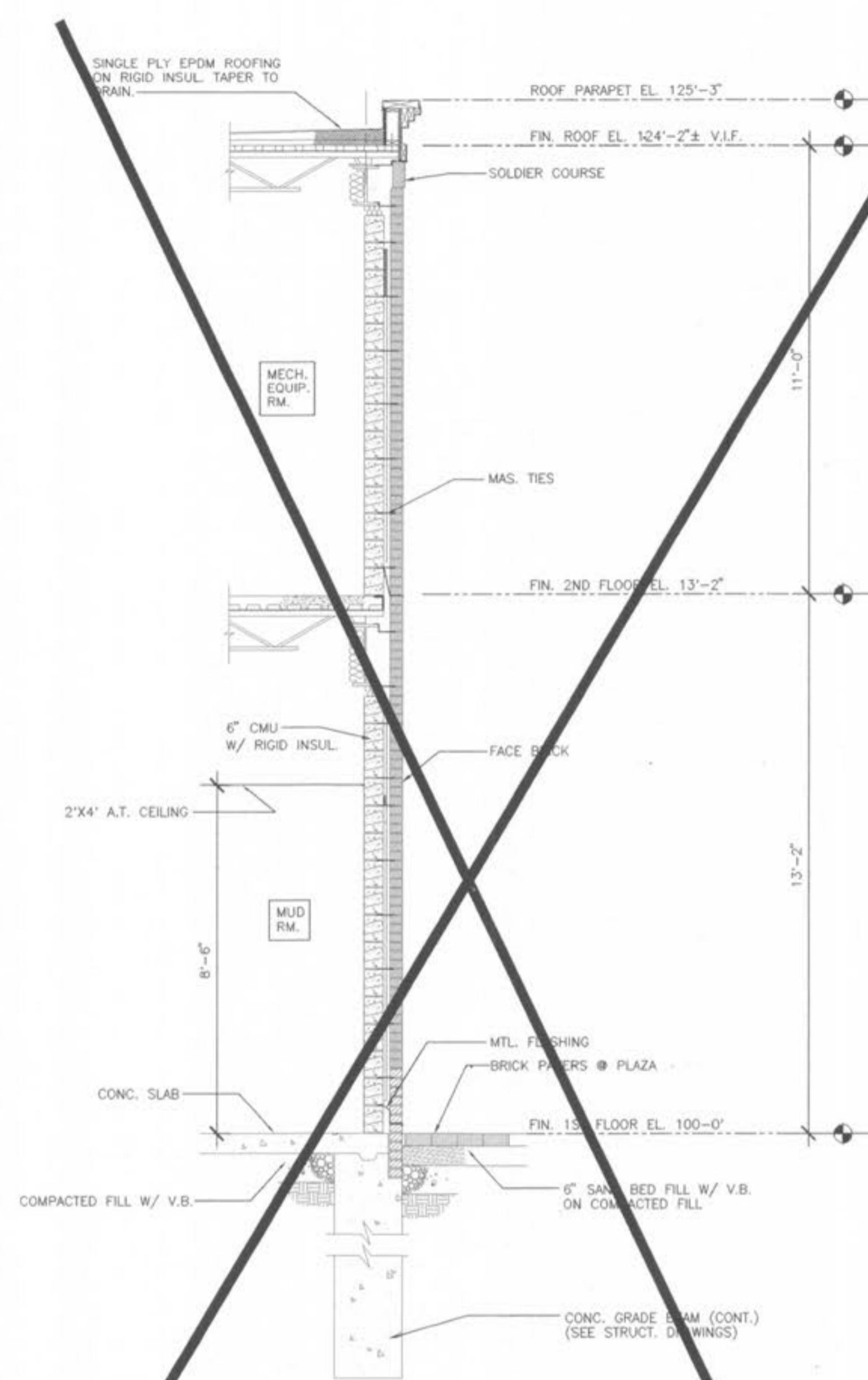
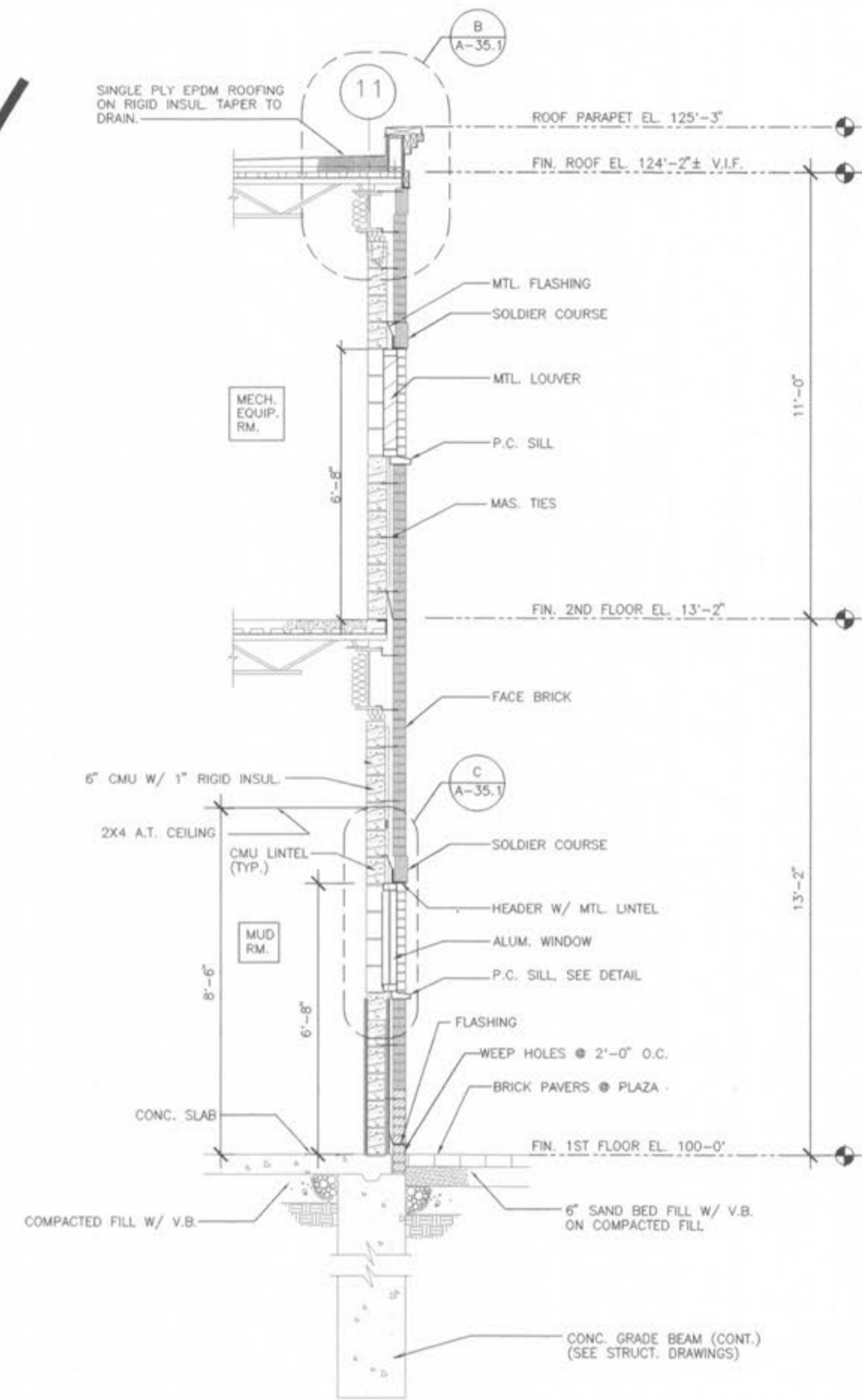


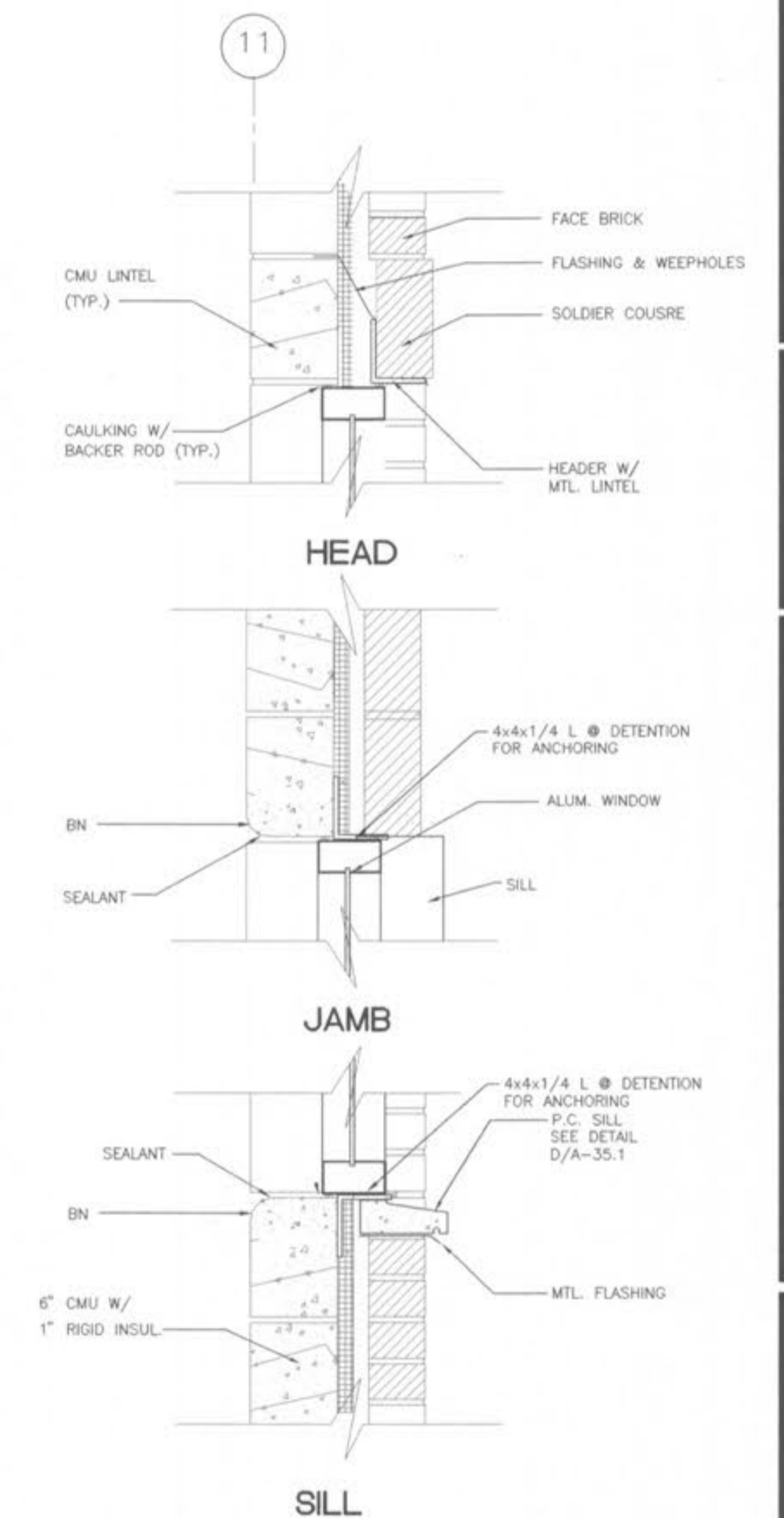
1 WALL SECTION • EAST LOBBY
A35.1 SCALE: 3/8"=1'-0"



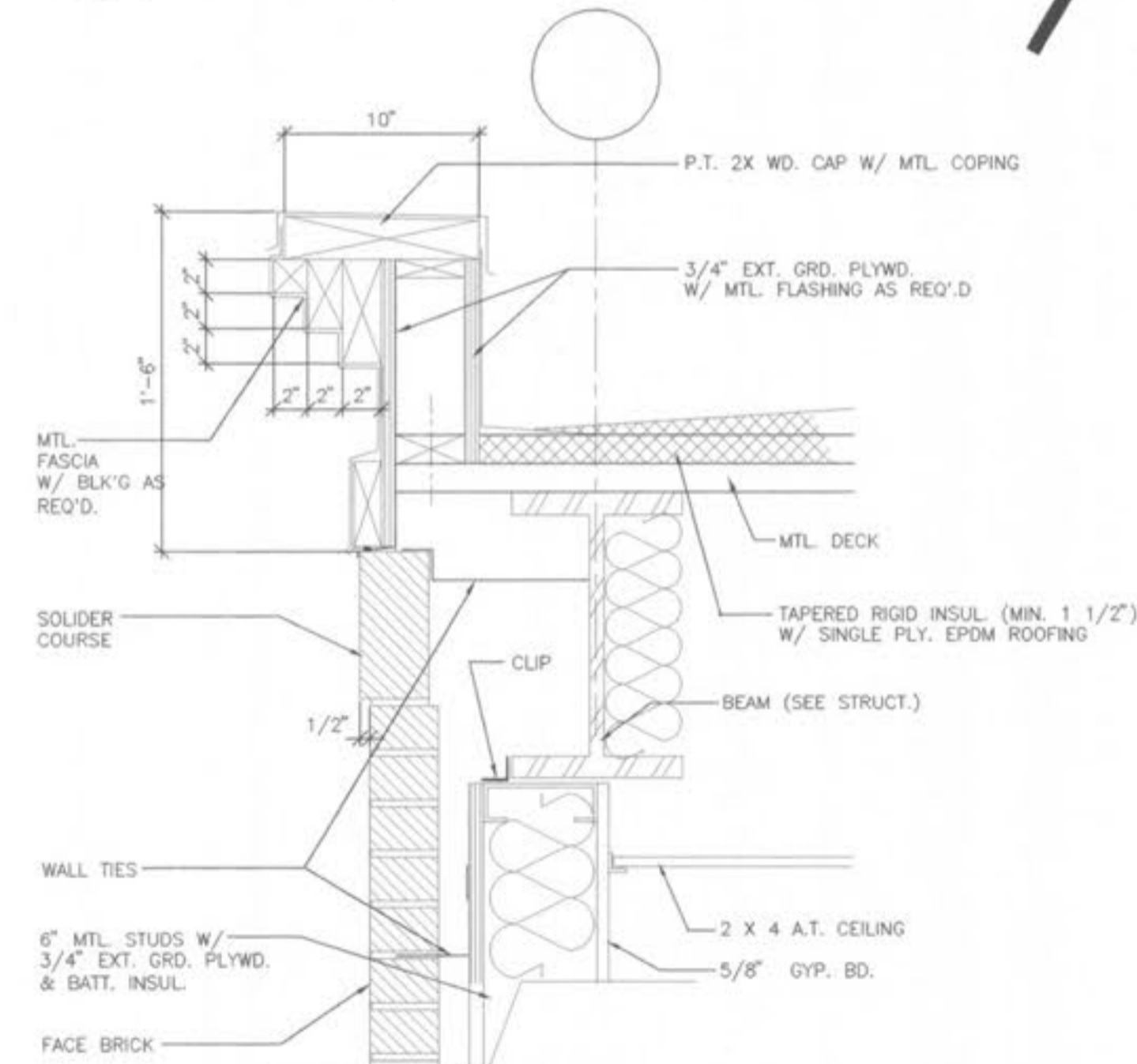
2 WALL SECTION
A35.1 SCALE: 3/8"=1'-0"



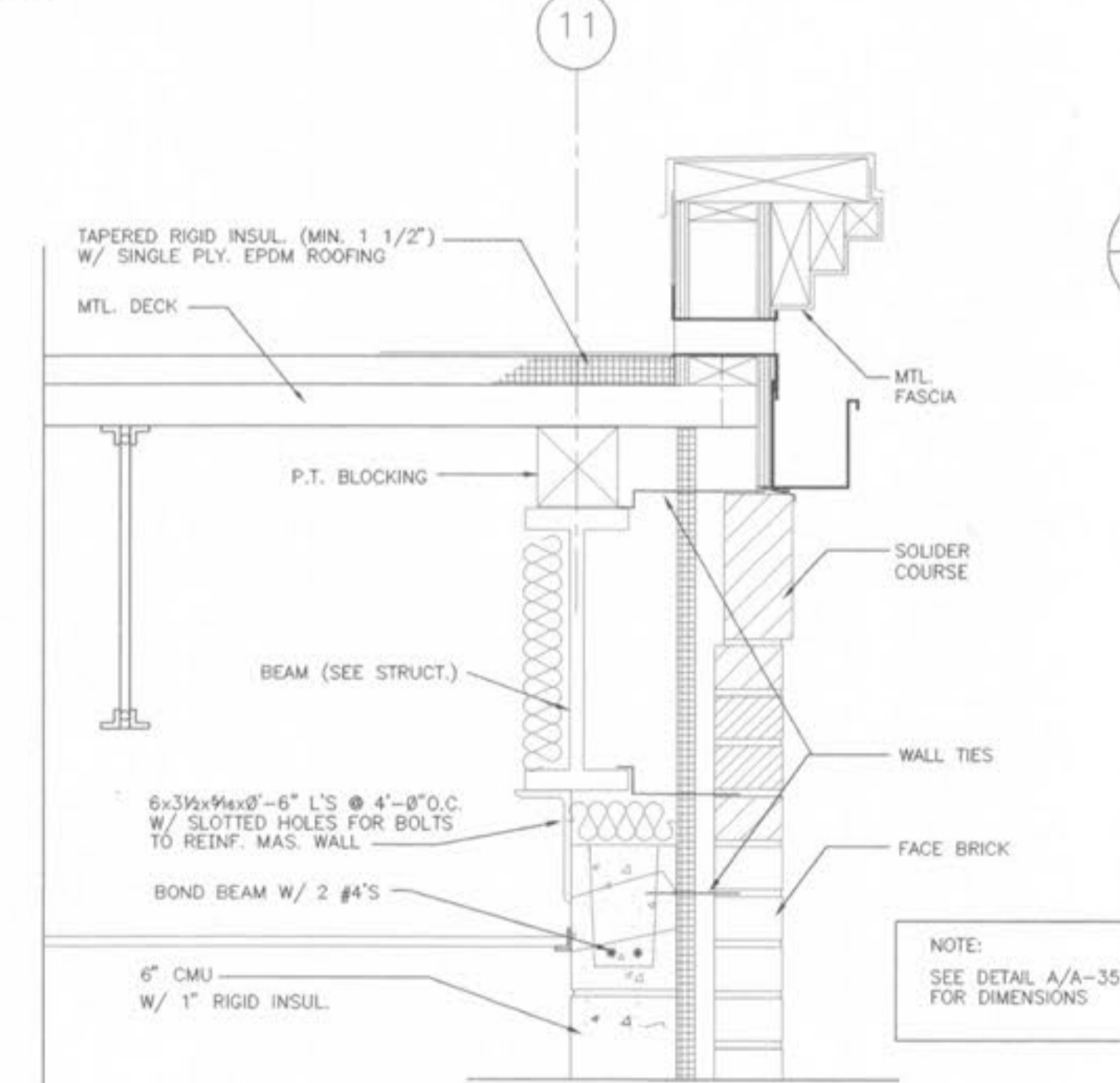
3 WALL SECTION
A35.1 SCALE: 3/8"=1'-0"



C TYP. DETAIL • ALUM. WINDOW
A35.1 SCALE: 1 1/2"=1'-0"



A DETAIL • PARAPET (EAST ENTRANCE)
A35.1 SCALE: 1 1/2"=1'-0"



E DETAIL • PARAPET GUTTER (EAST ENTRANCE)
A35.1 SCALE: 3"=1'-0"

CONSTRUCTION DOCUMENTS