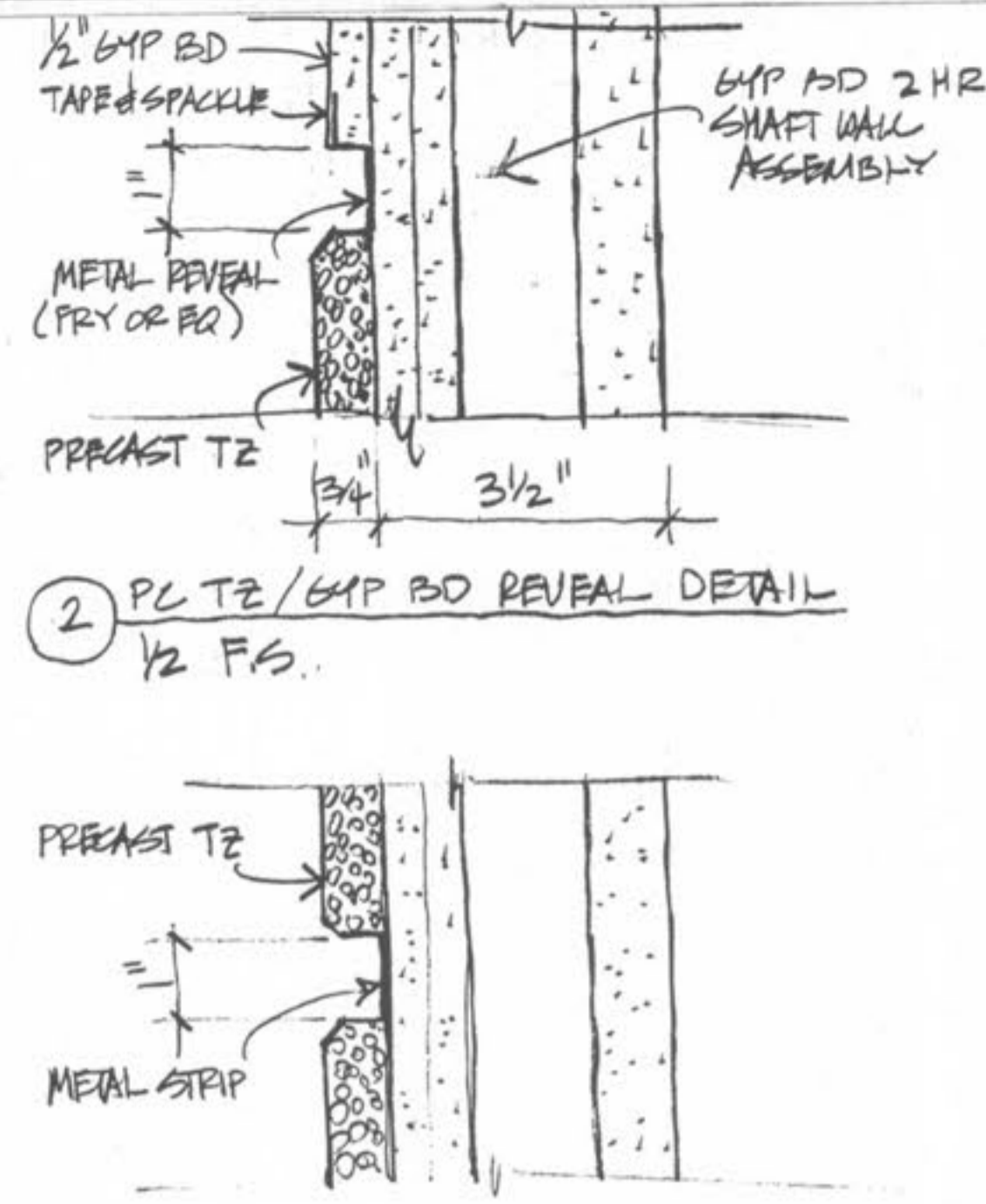
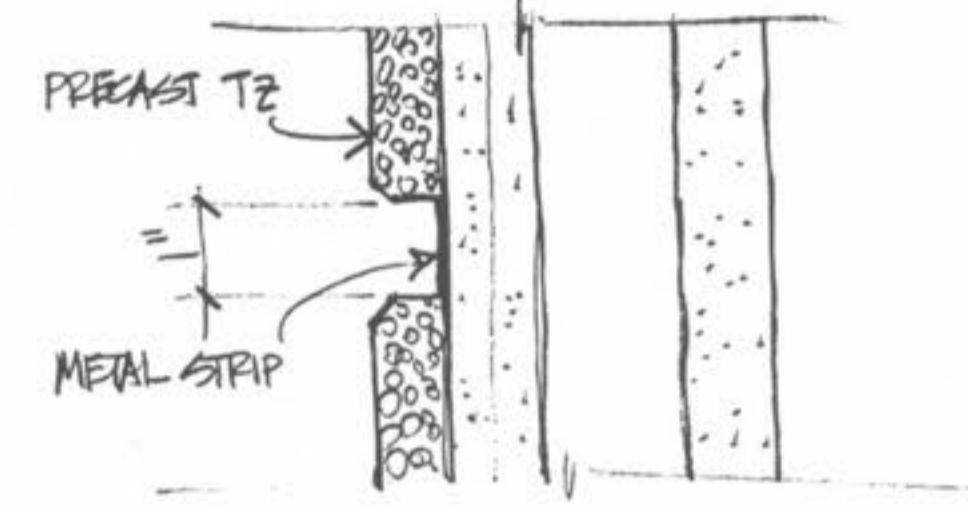


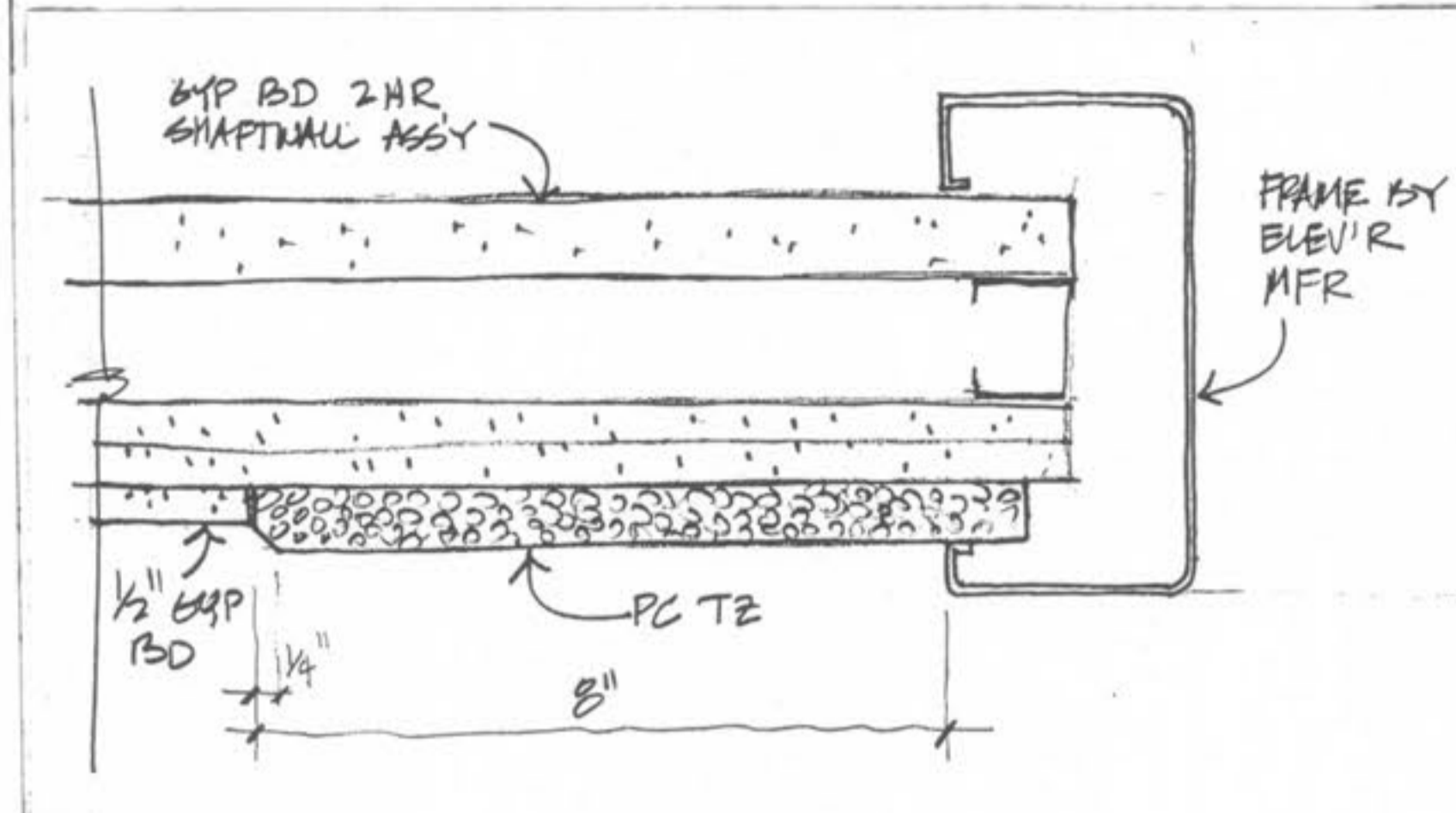
1 PLAN DETAIL @ ELEVATOR - CENTRAL LOBBY  
 3/4" = 1'-0"



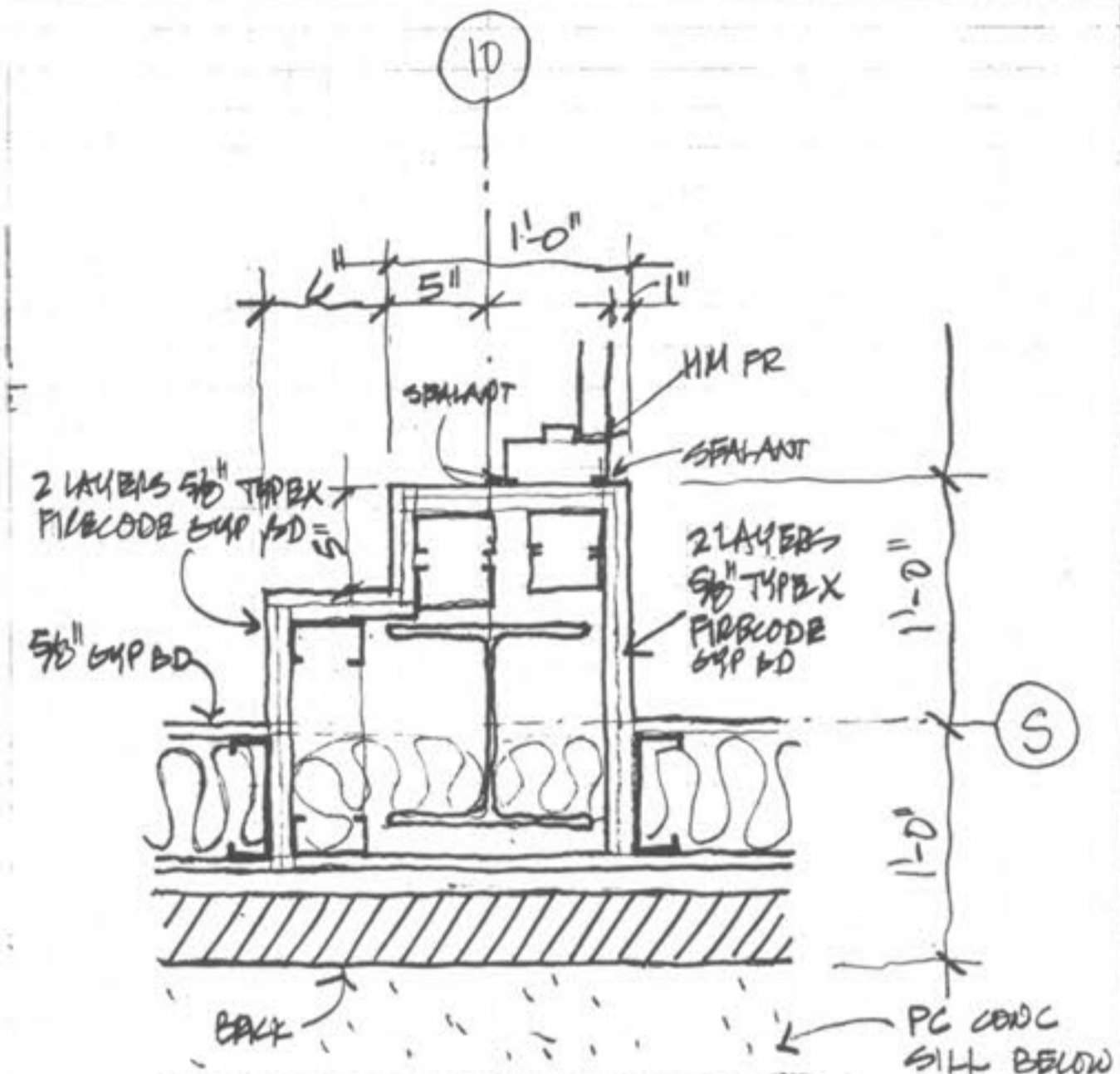
2 PC TZ / GYP BD REVEAL DETAIL  
 1/2 F.S.



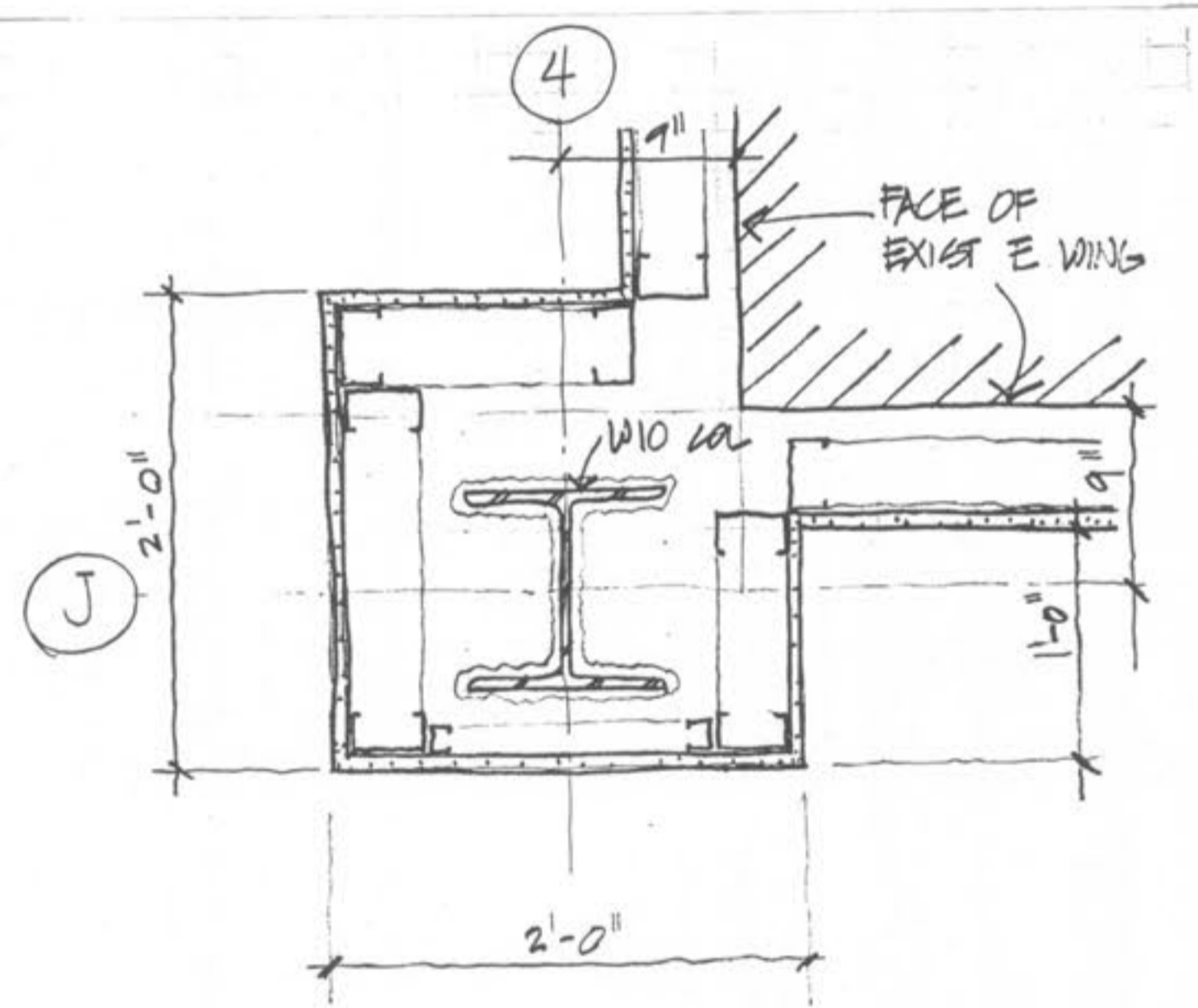
3 PC TZ REVEAL DETAIL  
 1/2 F.S.



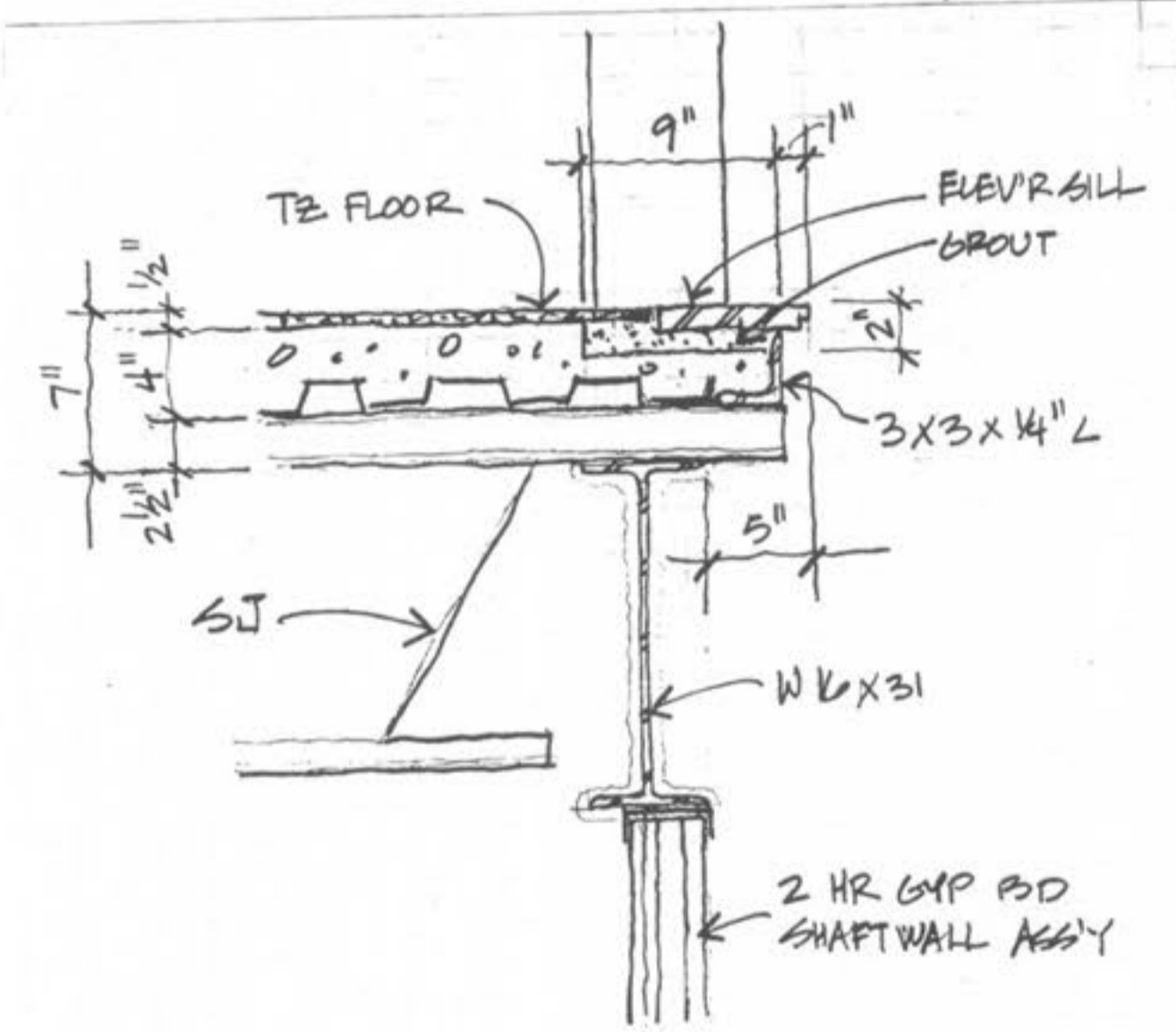
4 ELEVATOR JAMBS DETAIL  
 1/2 F.S.



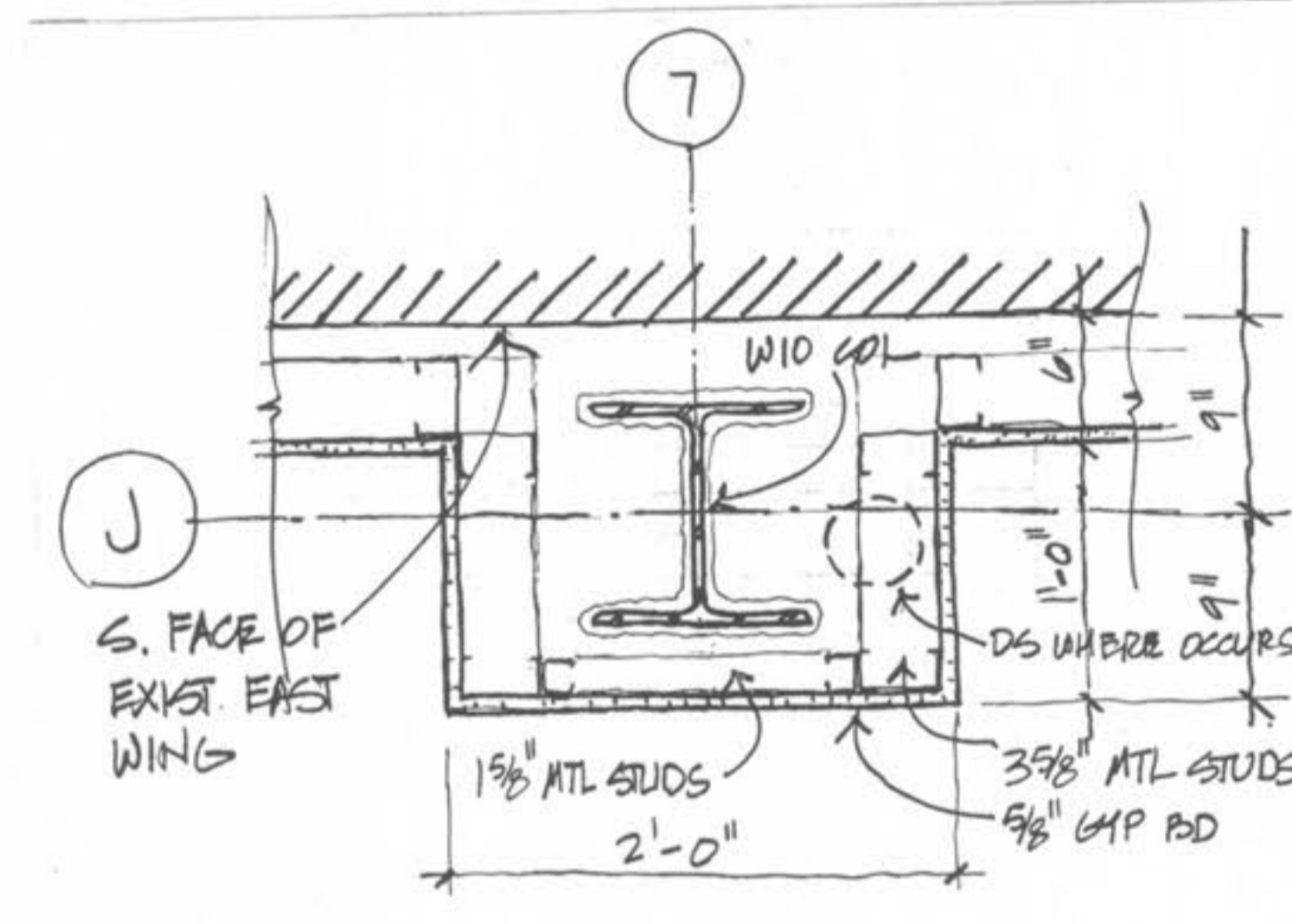
5 COL. CONDITION @ STAIR F  
 1/2"



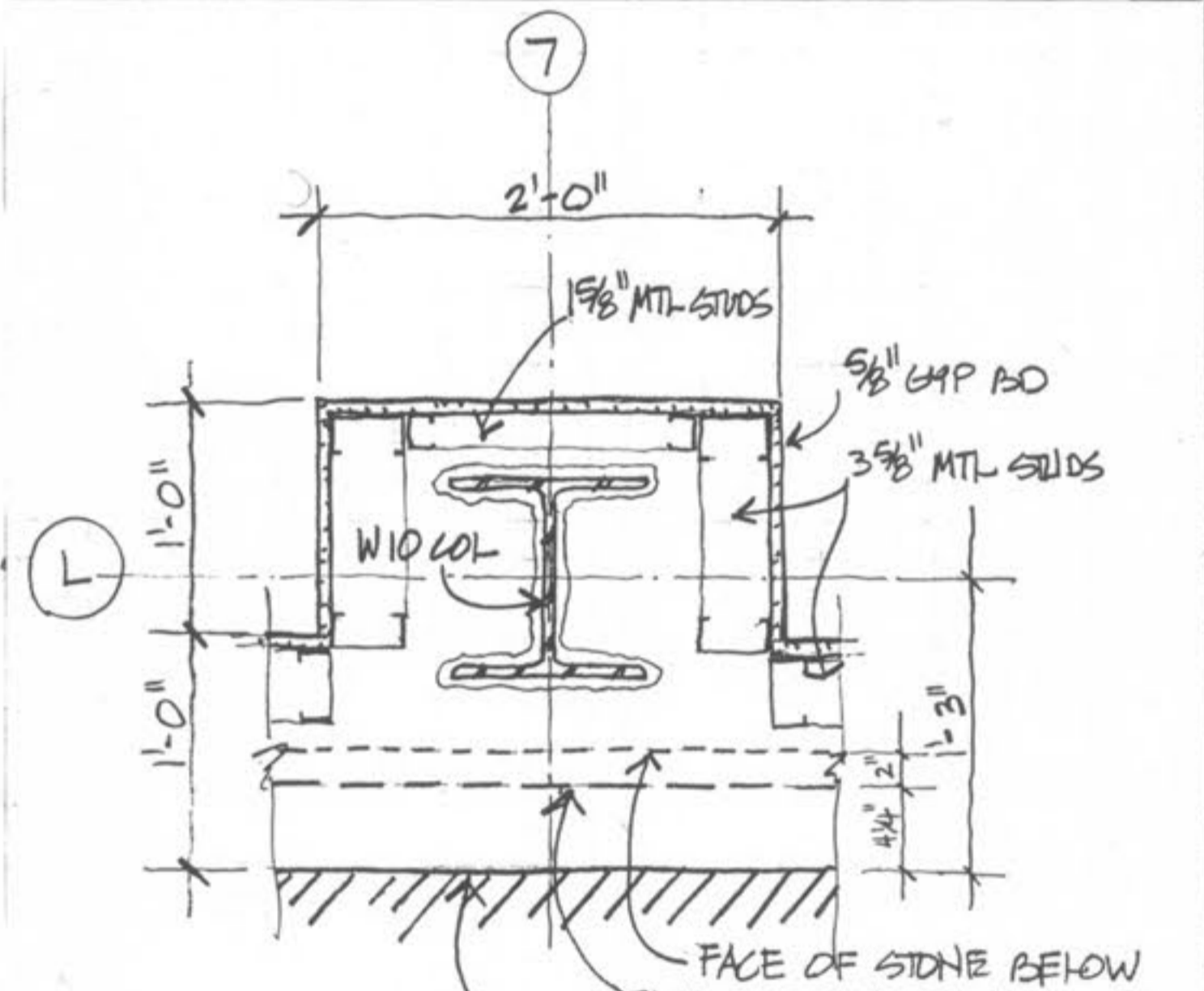
6 CONDITION @ J4  
 1/2" = 1'-0"



7 ELEVATOR SILL DETAIL  
 1/2" = 1'-0"



8 TYPICAL COL LINE J CONDITION  
 1/2" = 1'-0"



9 TYPICAL COL LINE L CONDITION  
 1/2" = 1'-0"