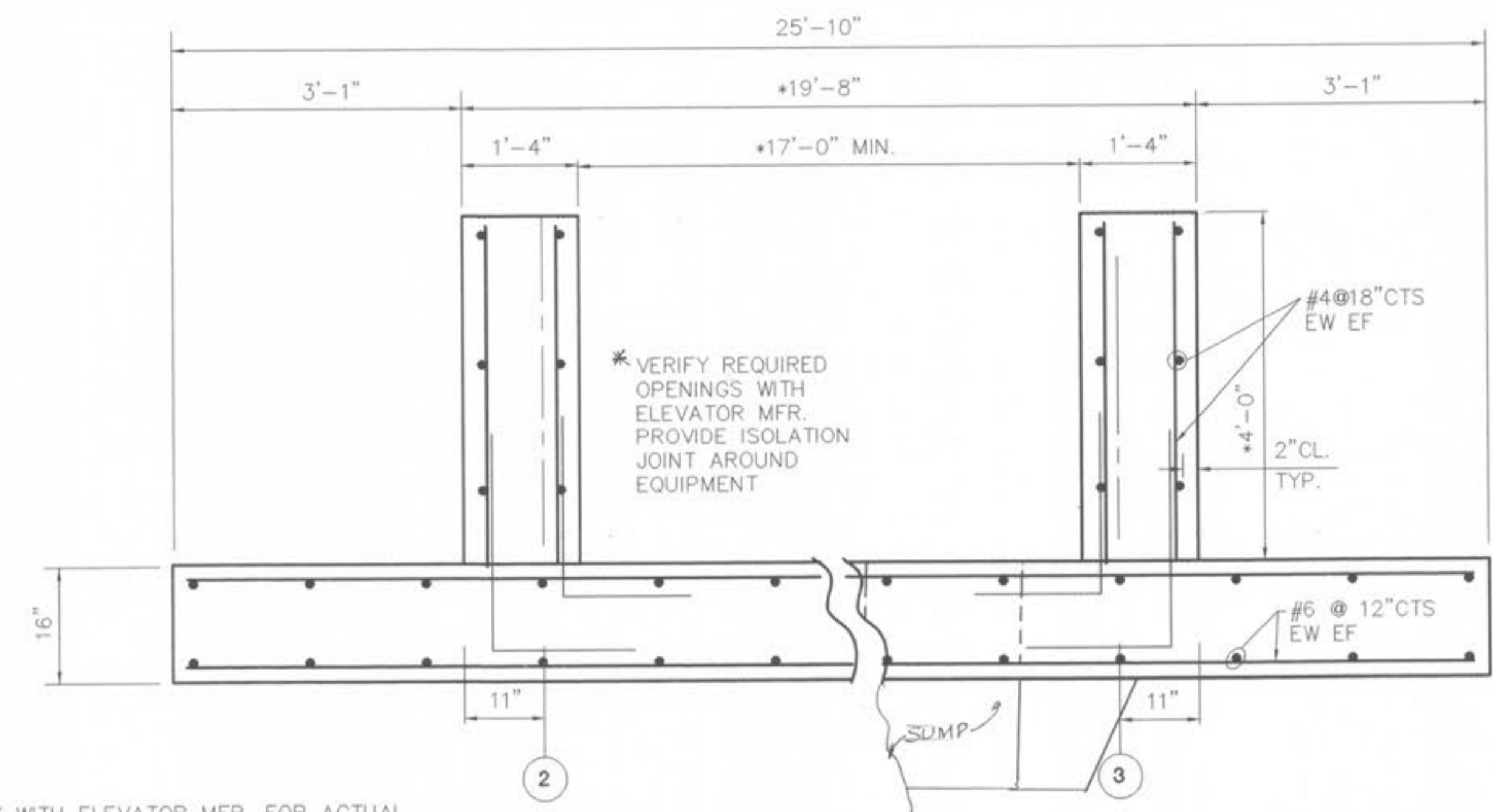
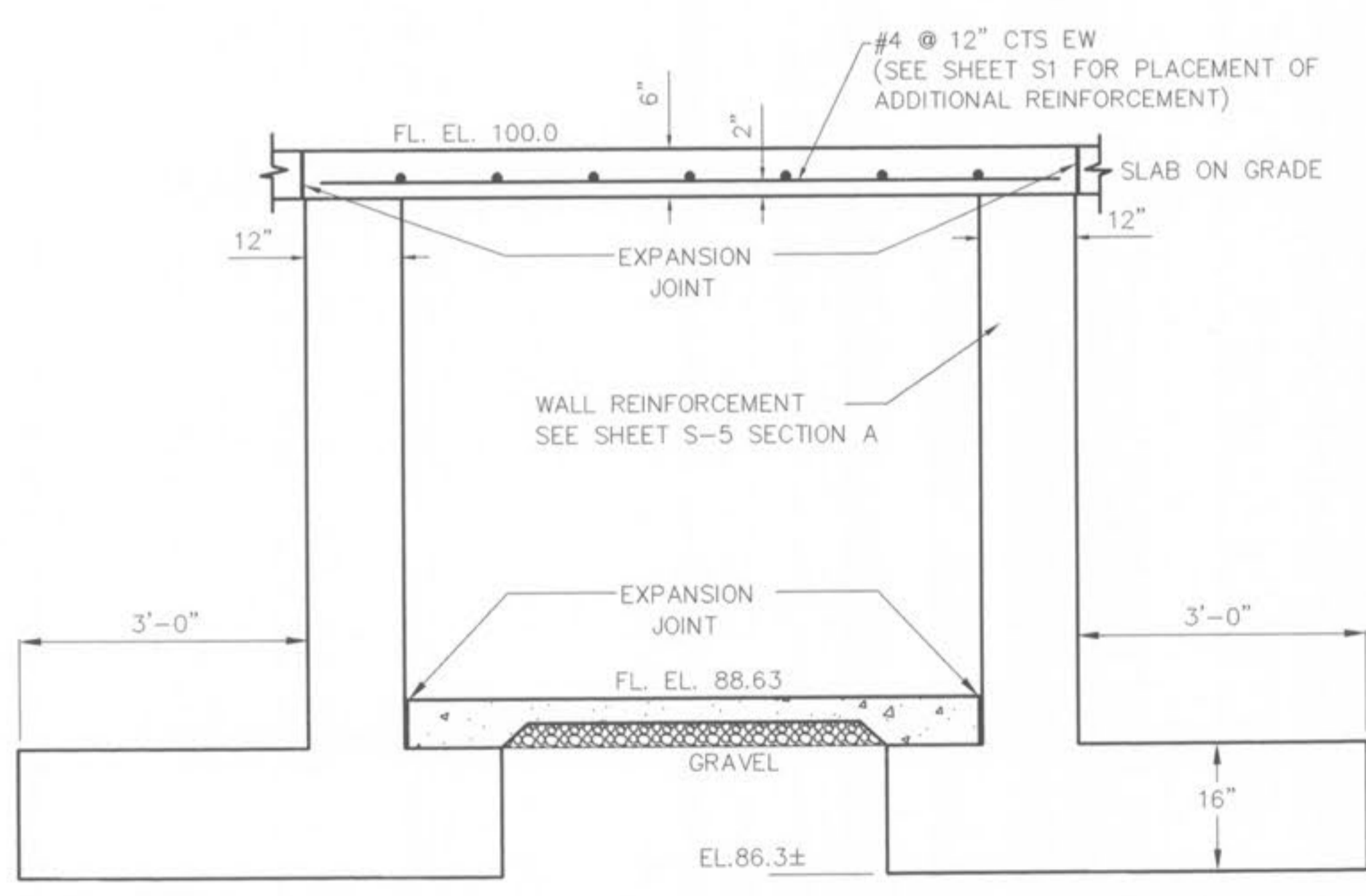


**B FOUNDATION SECTION • ELEVATOR**  
SCALE: 3/4" = 1'-0"

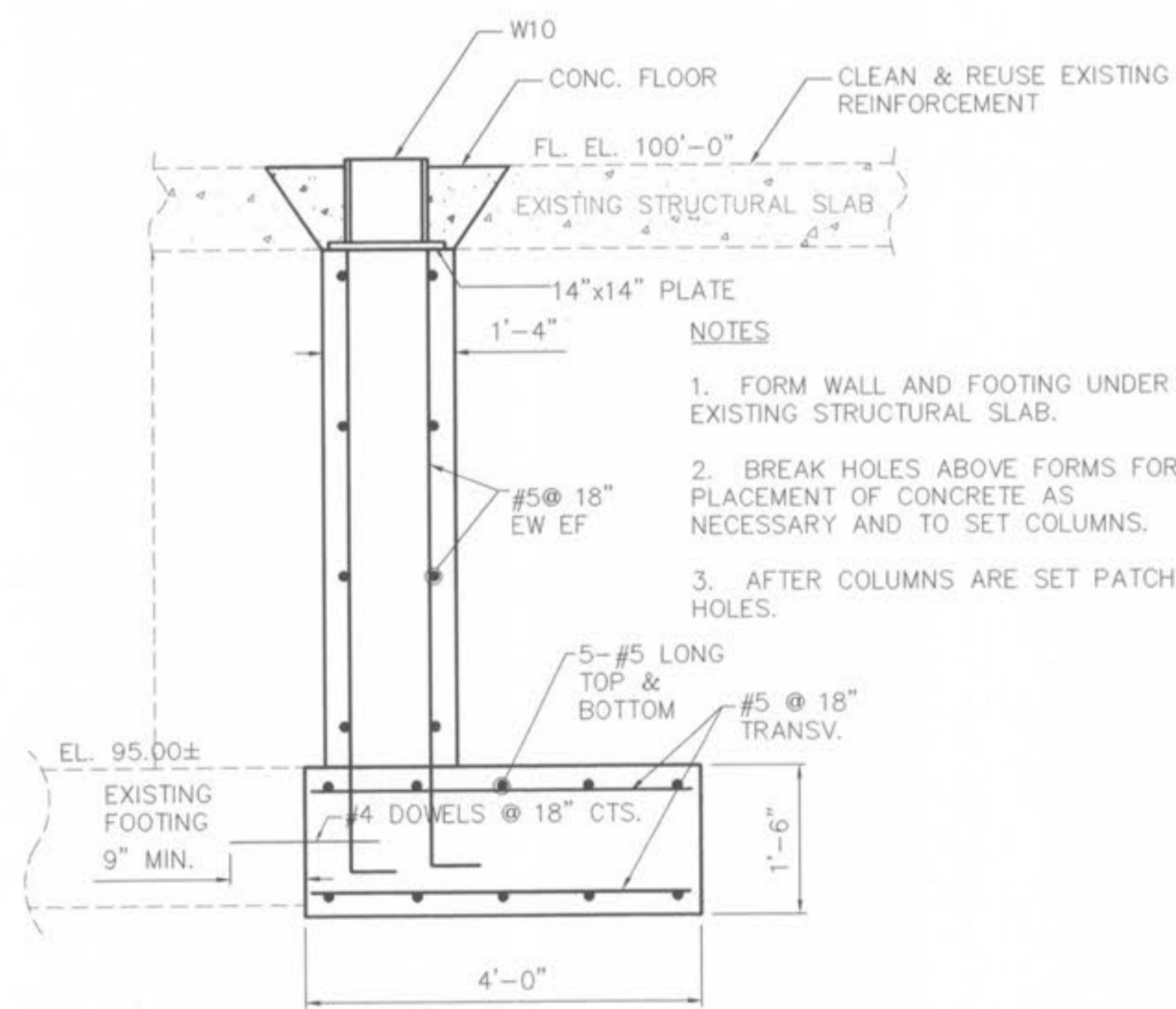


**C FOUNDATION SECTION • ELEVATOR**  
SCALE: 3/4" = 1'-0"

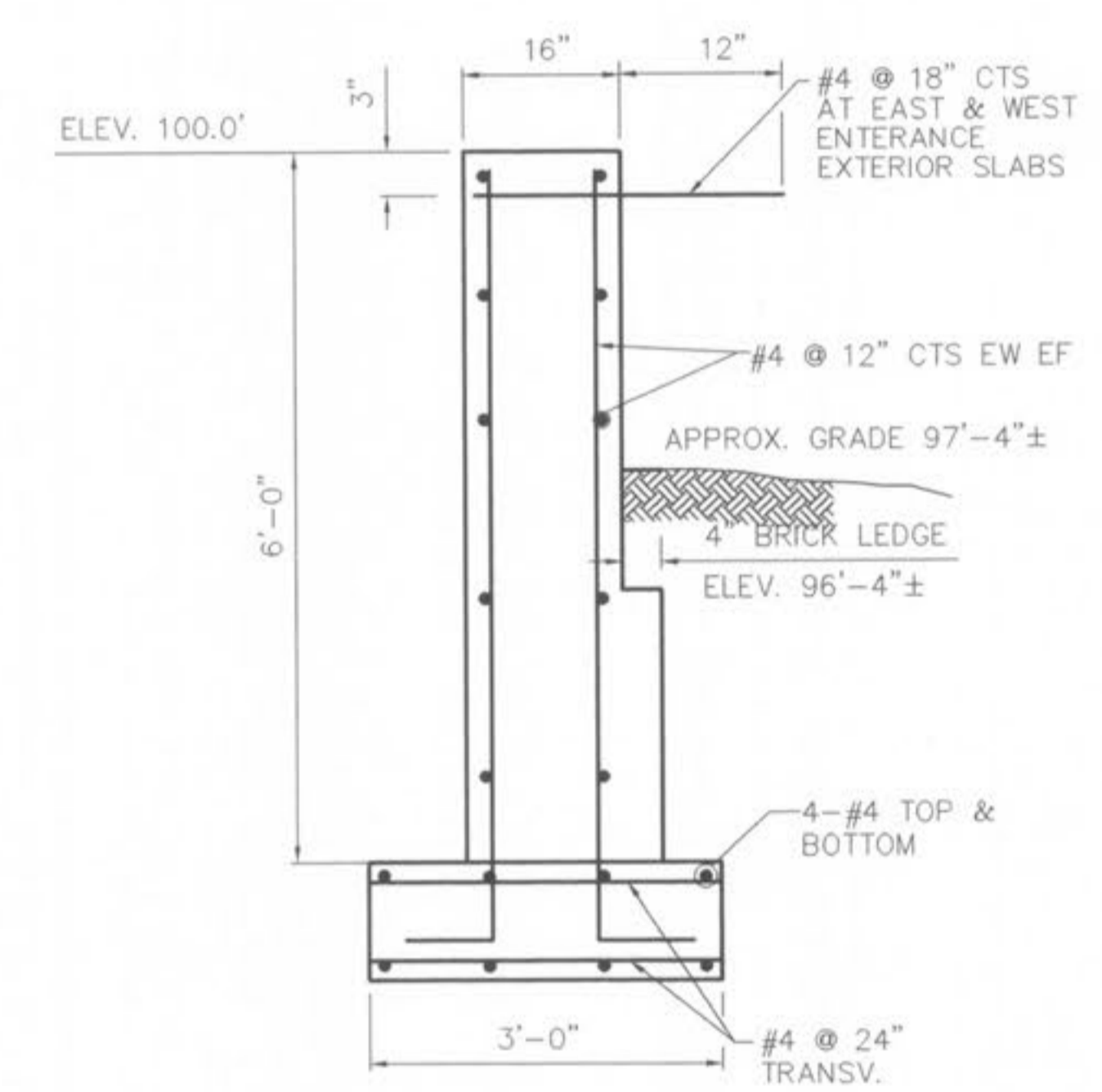
\* VERIFY WITH ELEVATOR MFR. FOR ACTUAL REQUIREMENTS. DIMENSIONS SHOWN ARE BASED ON DOVER SEVILLE 30.



**Y ACCESS TUNNEL**  
SCALE: 3/4" = 1'-0"



**F FOUNDATION + FOOTING**  
SCALE: 3/4" = 1'-0"



**1 TYP. FOUND. WALL (TYPE 1)**  
SCALE: 3/4" = 1'-0"

Revisions	
CONSTRUCTION ISSUE	DECEMBER 5, 1997
CHANGE ORDER NO. 1	JANUARY 27, 1998

Project No.	96036
Date	SEPT. 4, 1997
Designed	SEA
Drawn	JMH
Drawing No.	S-9