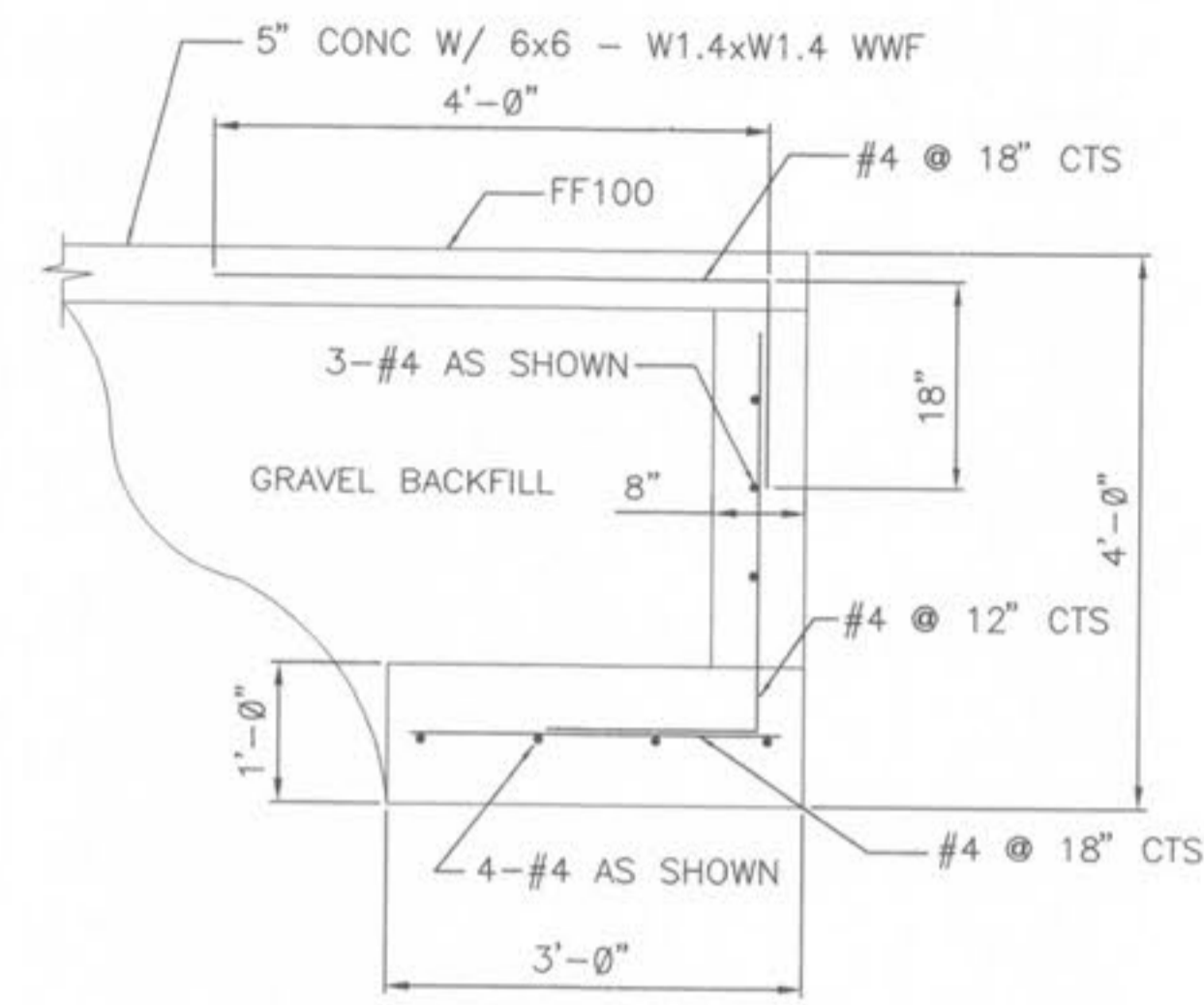
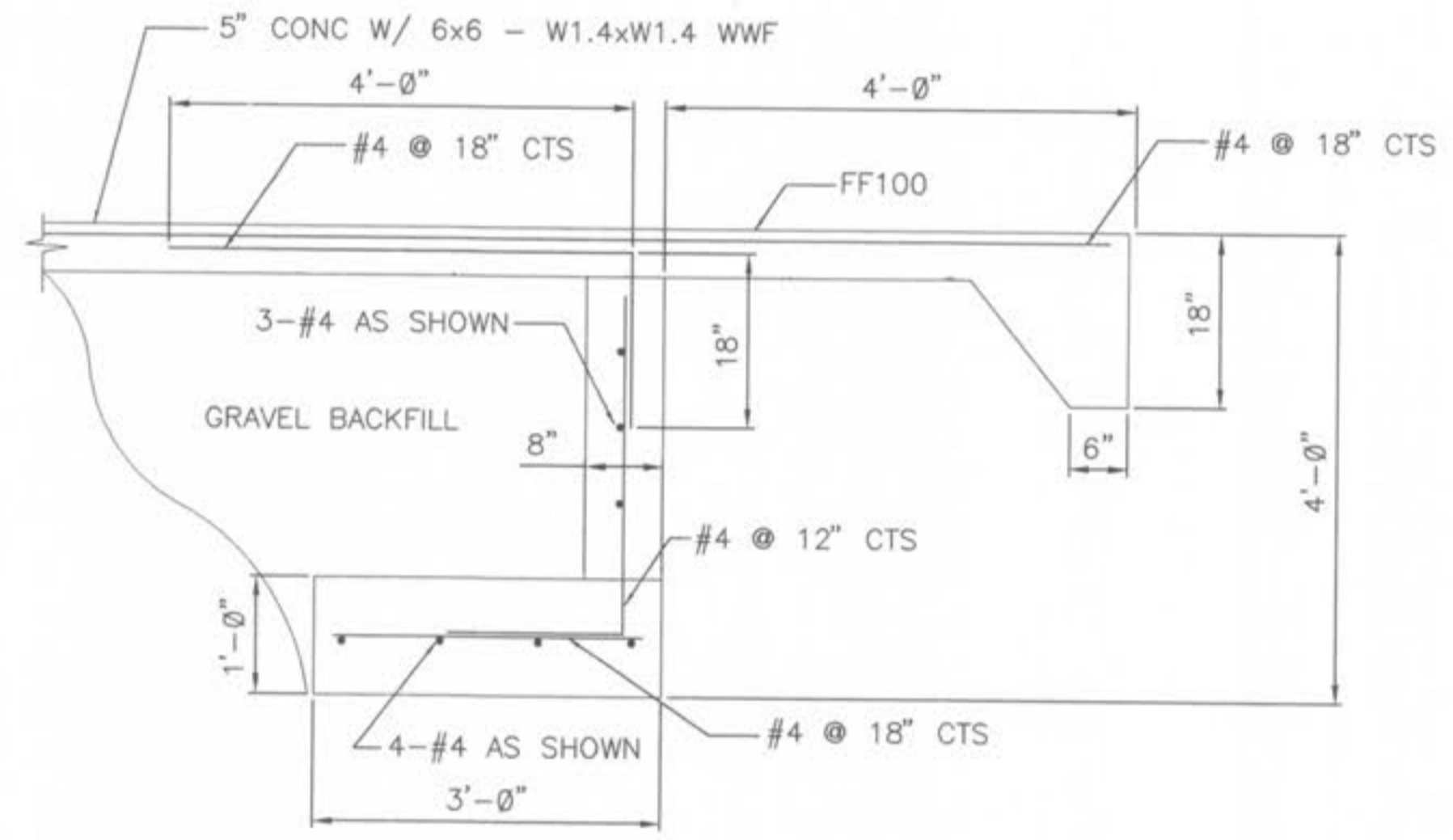


FOUNDATION PLAN - WEST ENTRANCE
SCALE: 1/4" = 1'-0"



A SECTION A-A
SCALE: 3/4" = 1'-0"



B SECTION B-B
SCALE: 3/4" = 1'-0"

4'-0" APRON SHALL BE
POURED AND REINFORCED WITH
WEST ENTRANCE FLOOR SLAB
SEE SECTION B-B
COORDINATE WITH SITE WORK

NEW ISSUE -
CHANGE ORDER
No. 1

Project No.	96036
Date	JAN 23, 1998
Designed	
Drawn	
Drawing No.	S-11