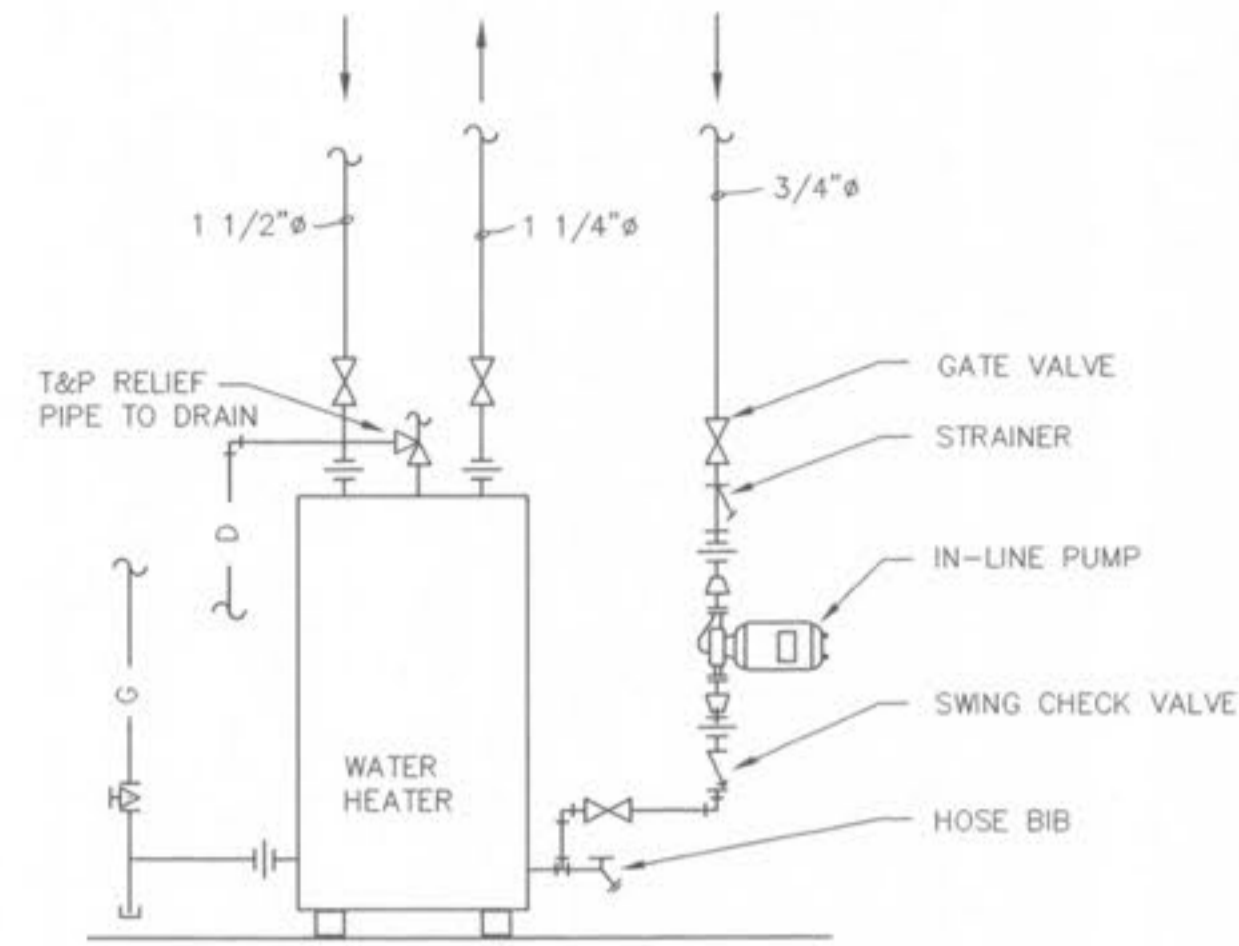


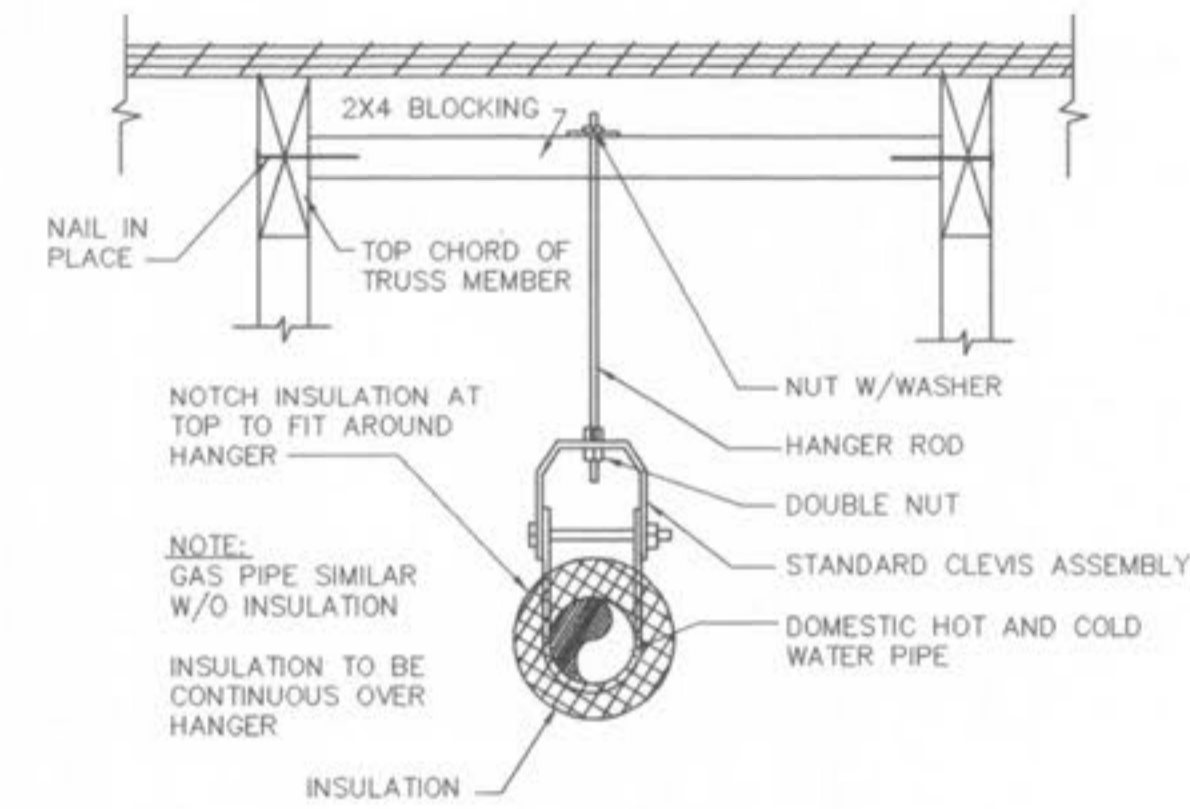
TYPICAL ROOF DRAIN DETAIL

NTS



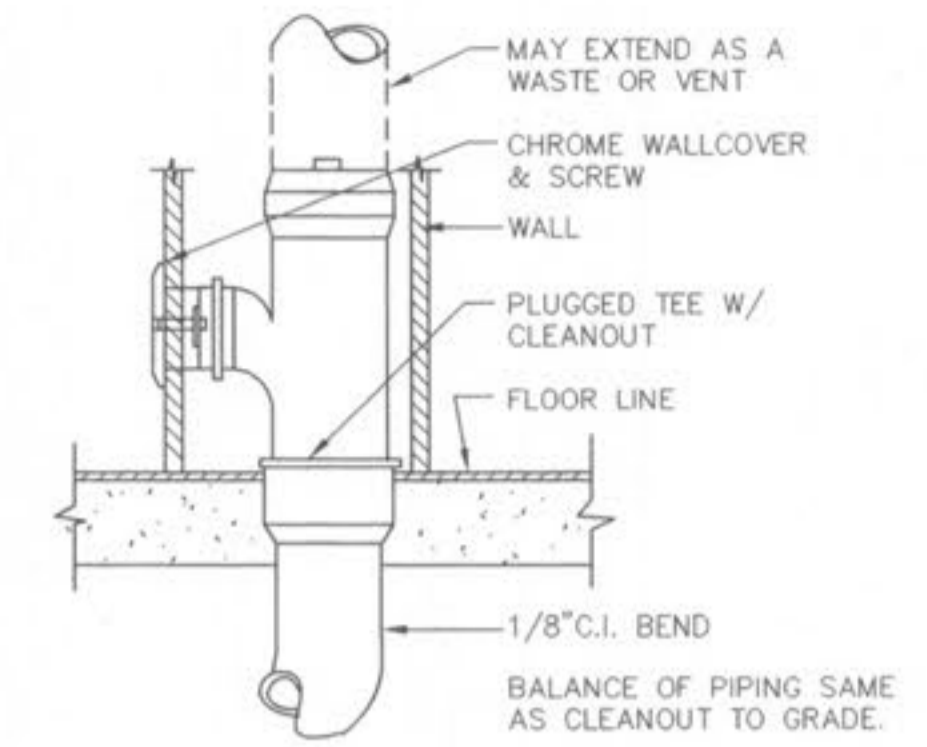
SINGLE WATER HEATER DETAIL ELECTRICAL

NTS



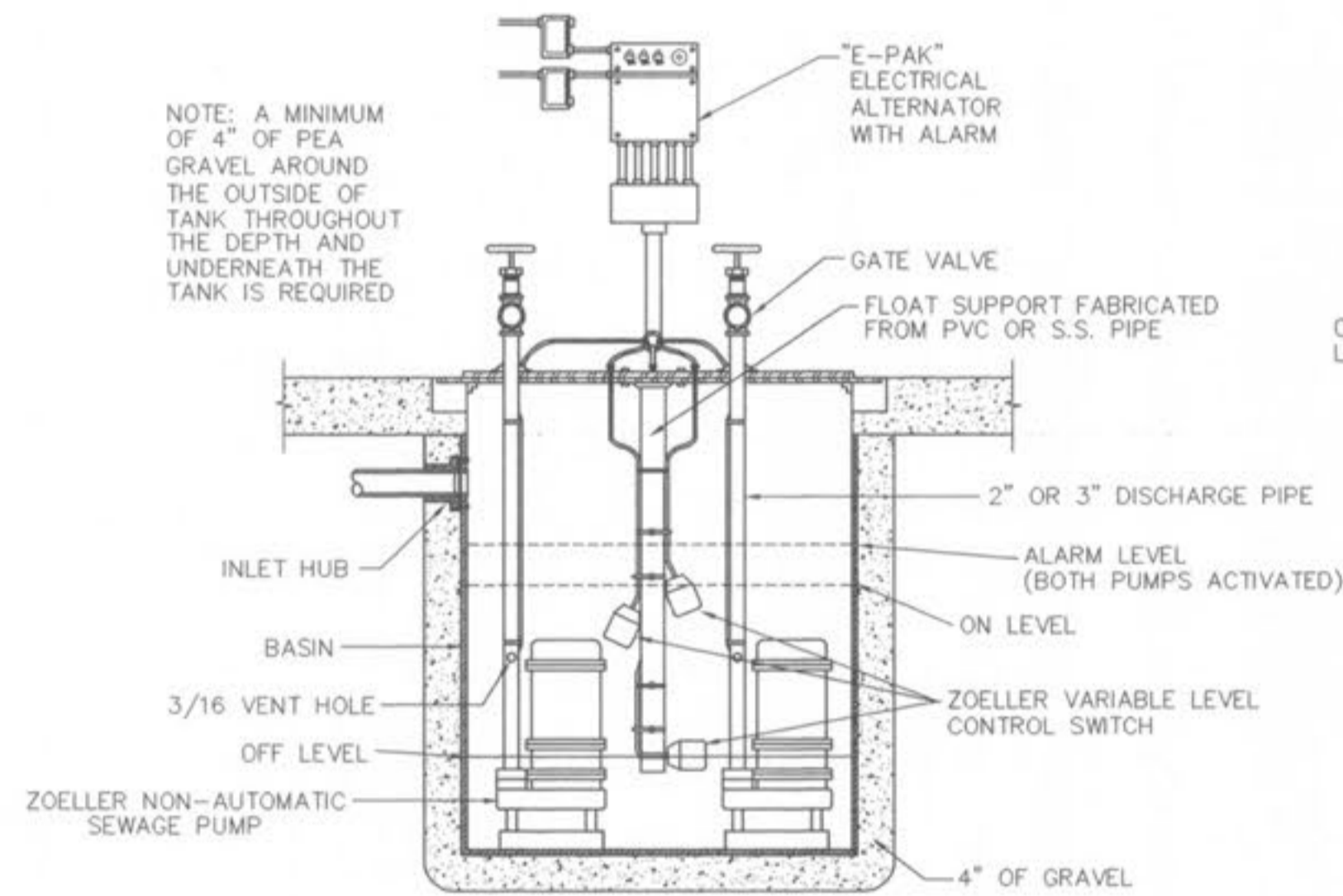
PIPE HANGER DETAIL

NTS

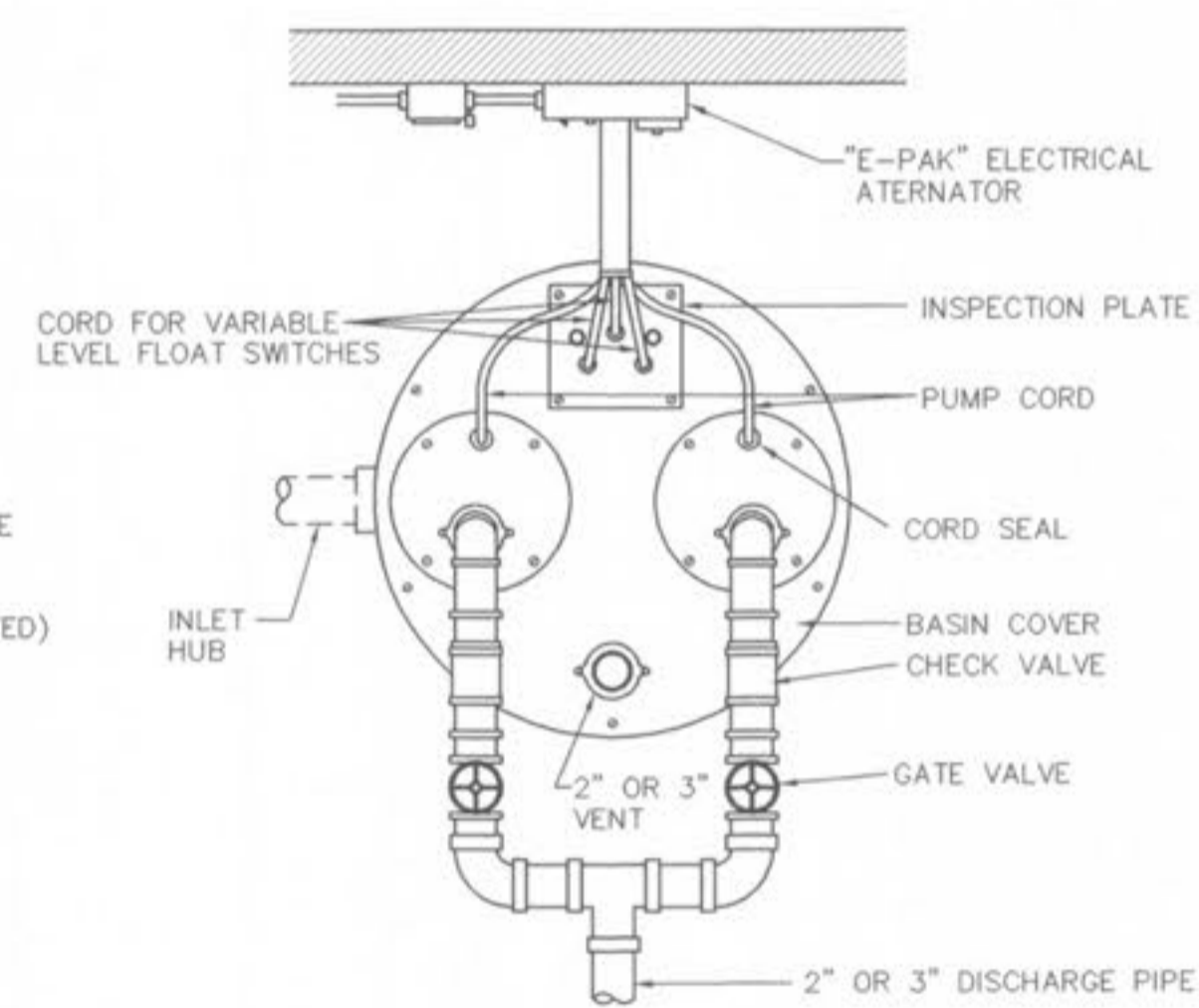


WALL CLEANOUT DETAIL

NTS



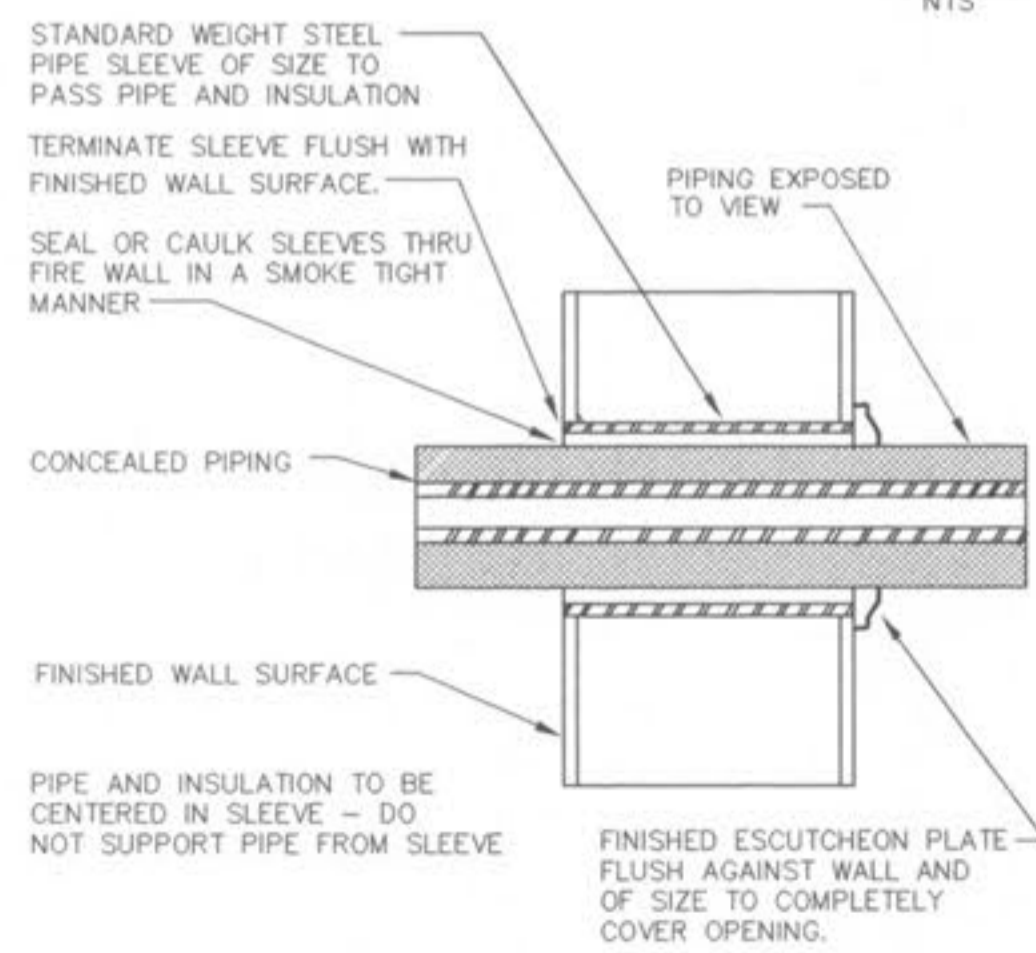
SECTION



PLAN VIEW

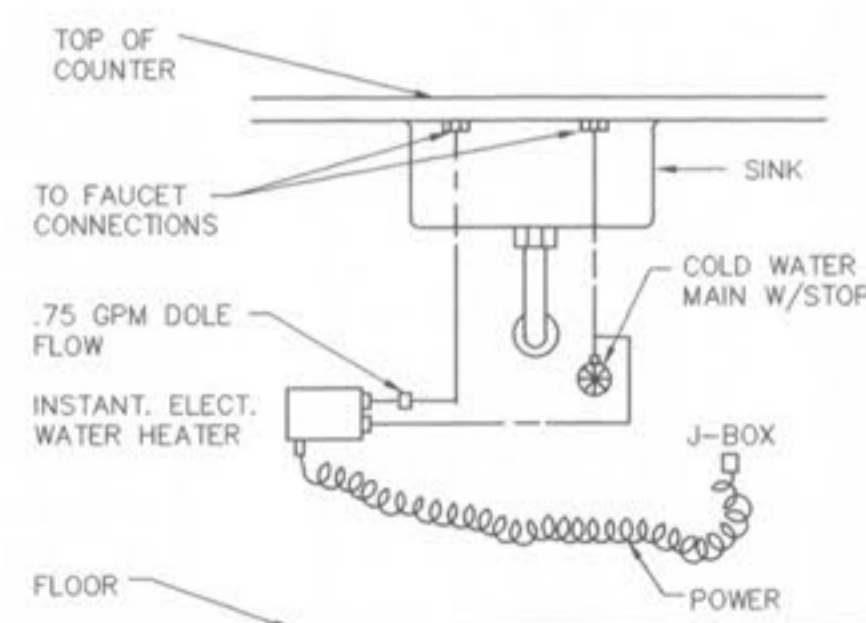
SEWAGE DUPLEX SUMP DETAIL WITH ELECTRICAL ALTERNATOR (SINGLE PHASE)

NTS



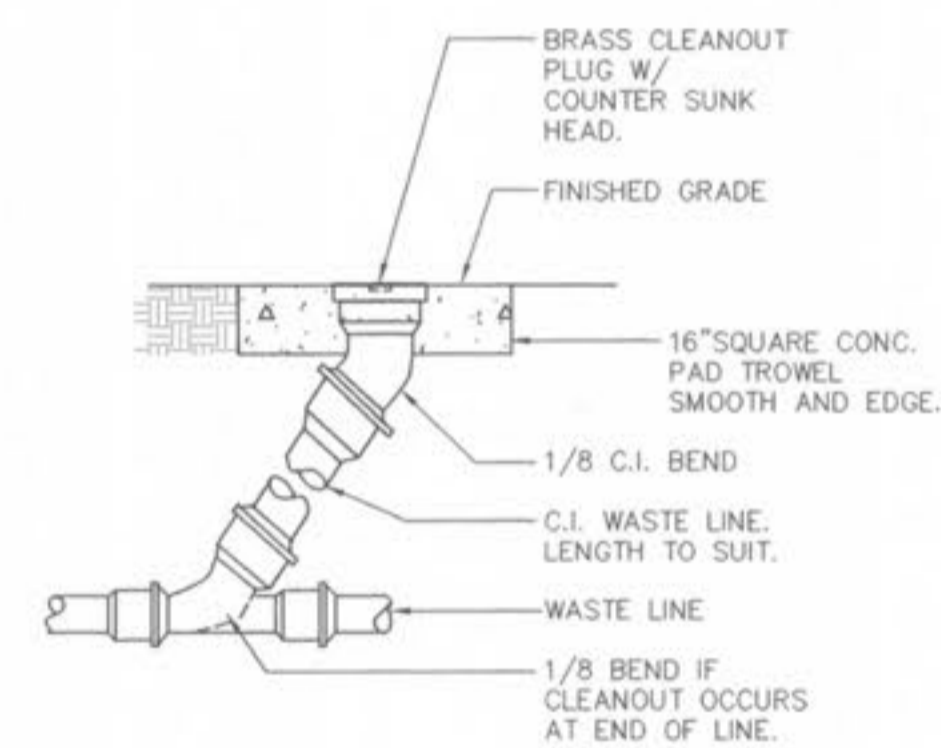
PIPE THRU INTERIOR WALL

NTS



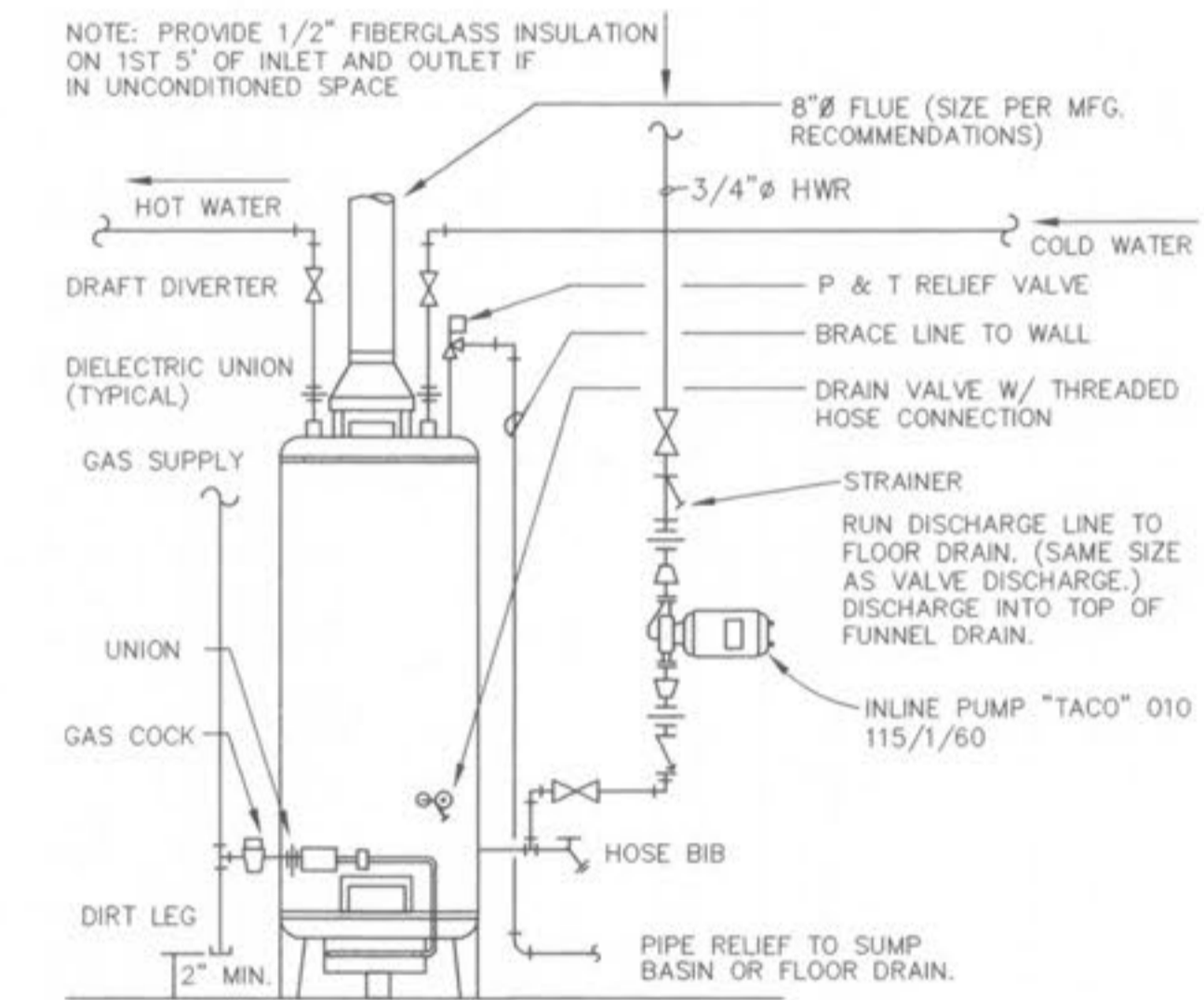
INSTANT WATER HEATER

NTS



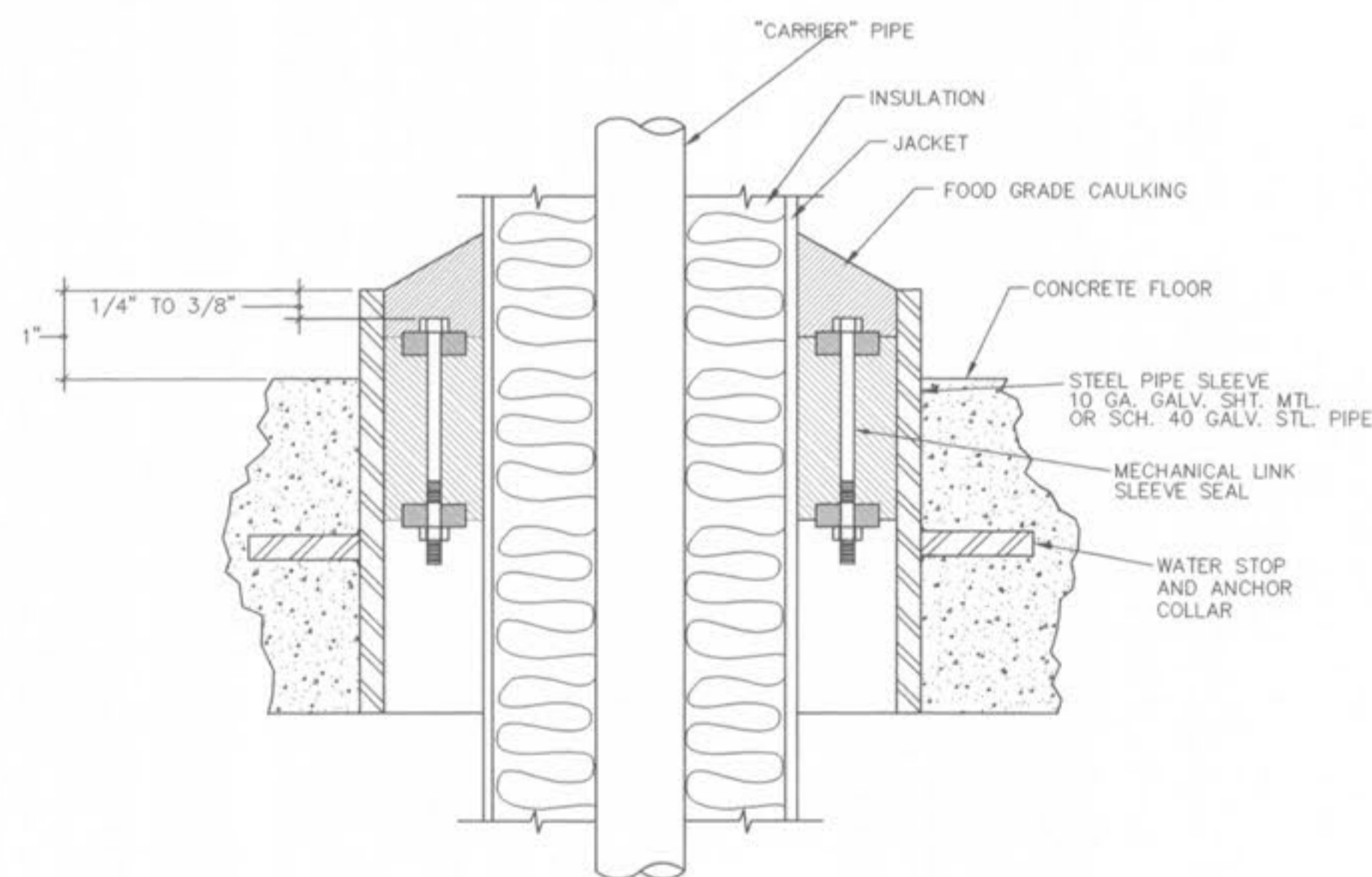
CLEANOUT TO GRADE

NTS



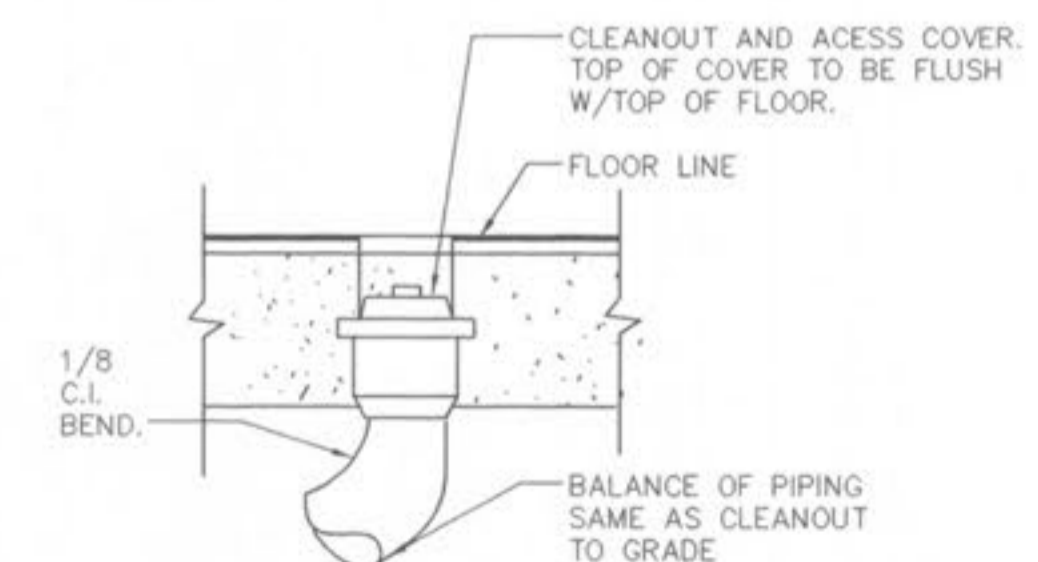
WATER HEATER DETAIL-GAS

NTS



PRE-INSULATED PIPE THRU FLOOR

NTS



FLOOR CLEANOUT

NTS



Revisions
CONSTRUCTION ISSUE DECEMBER 5, 1997

Project No.	96036
Date	SEPT. 4, 1997
Designed	
Drawn	
Drawing No.	P-15