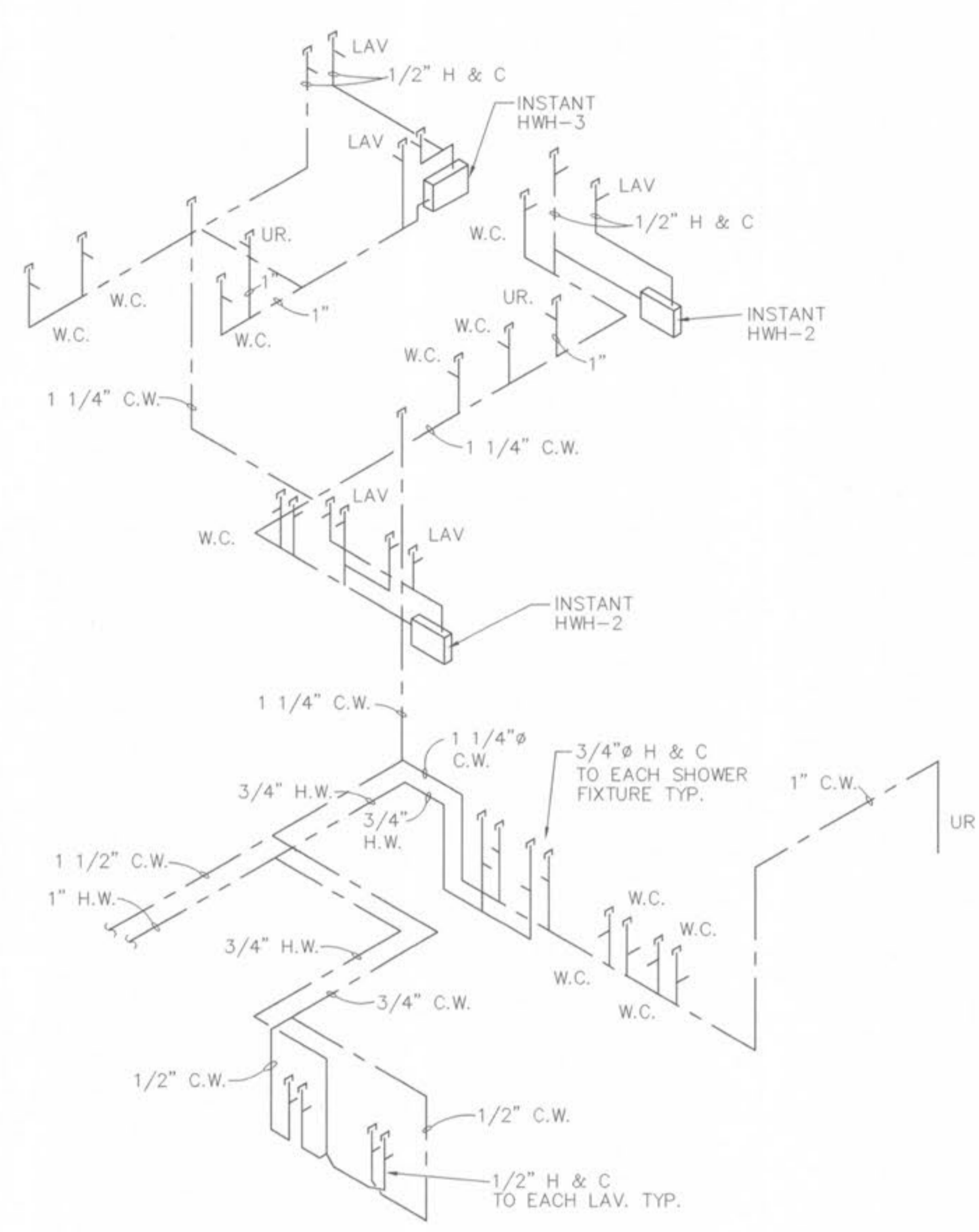
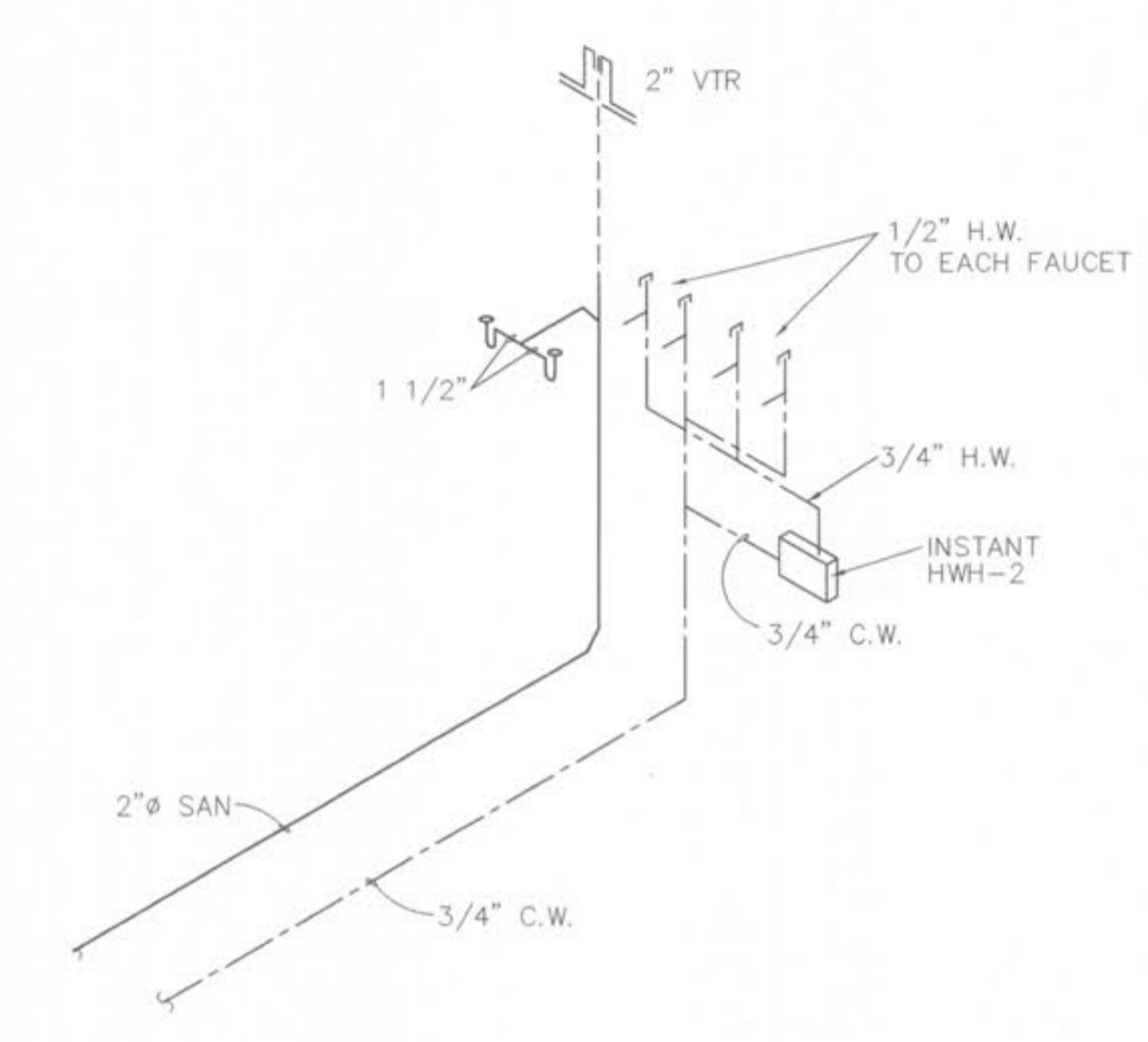


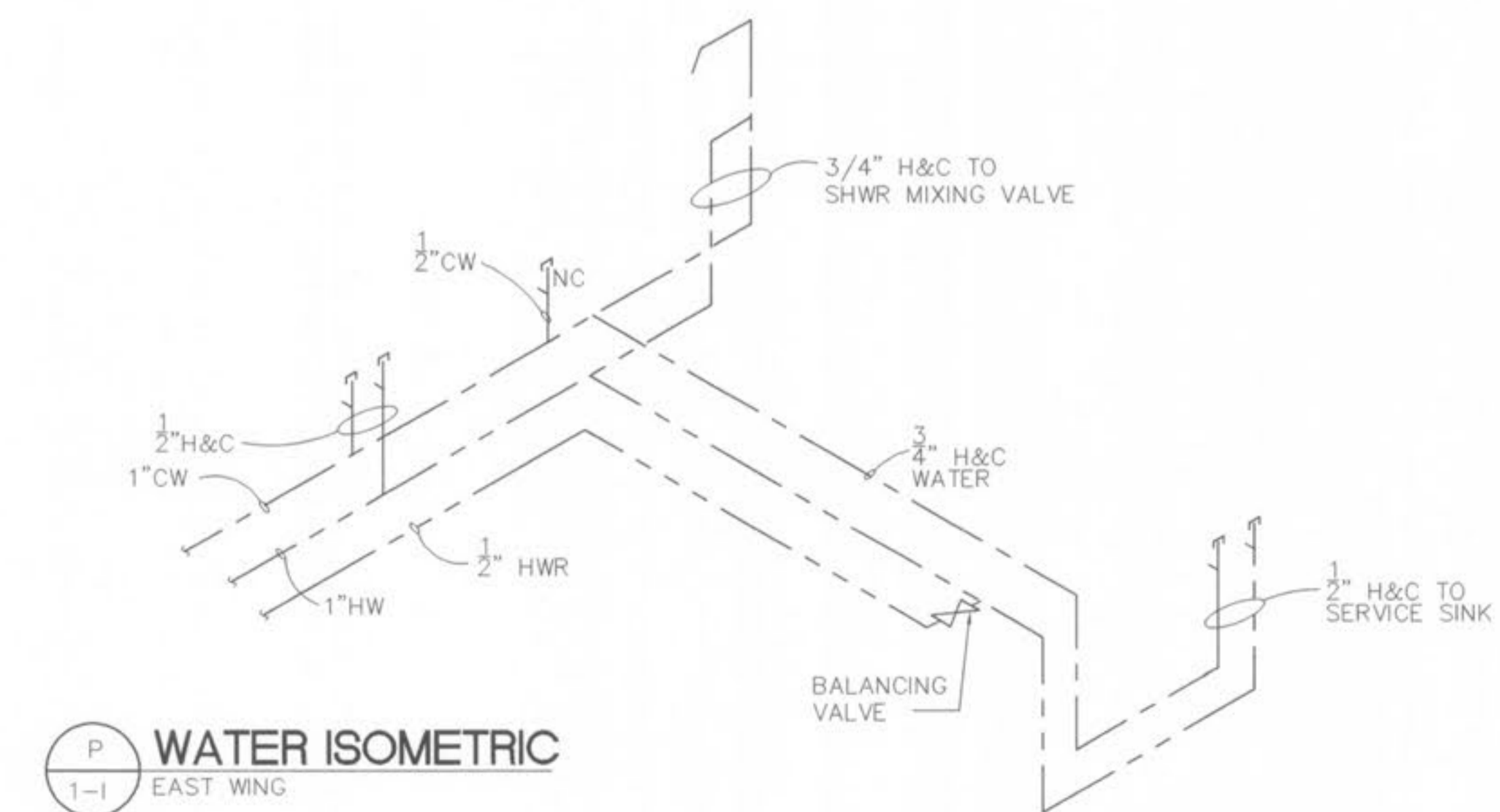
P DWV AND WATER ISOMETRIC
1-G WEST WING



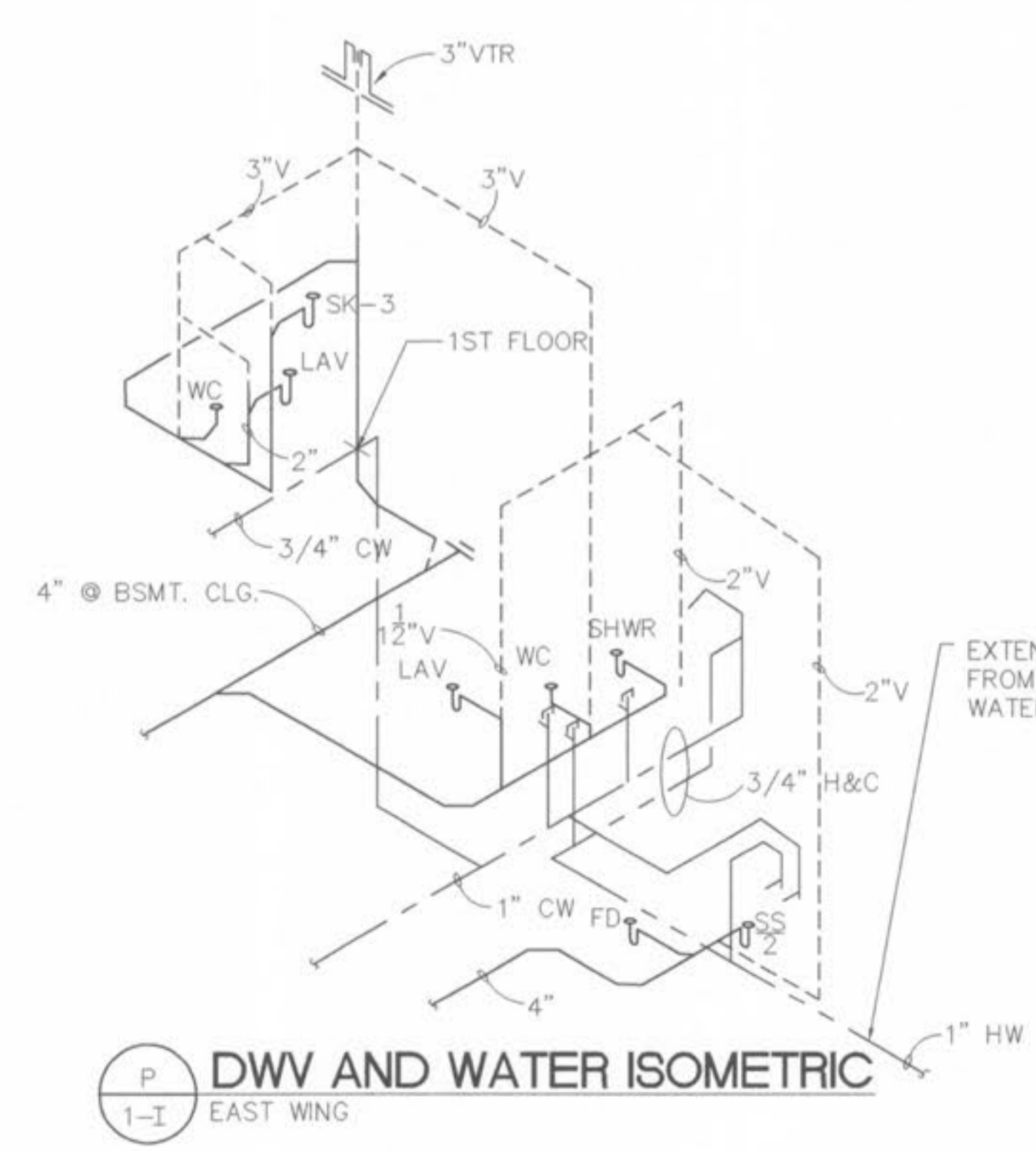
P DWV AND WATER ISOMETRIC
1-E SOUTH WING



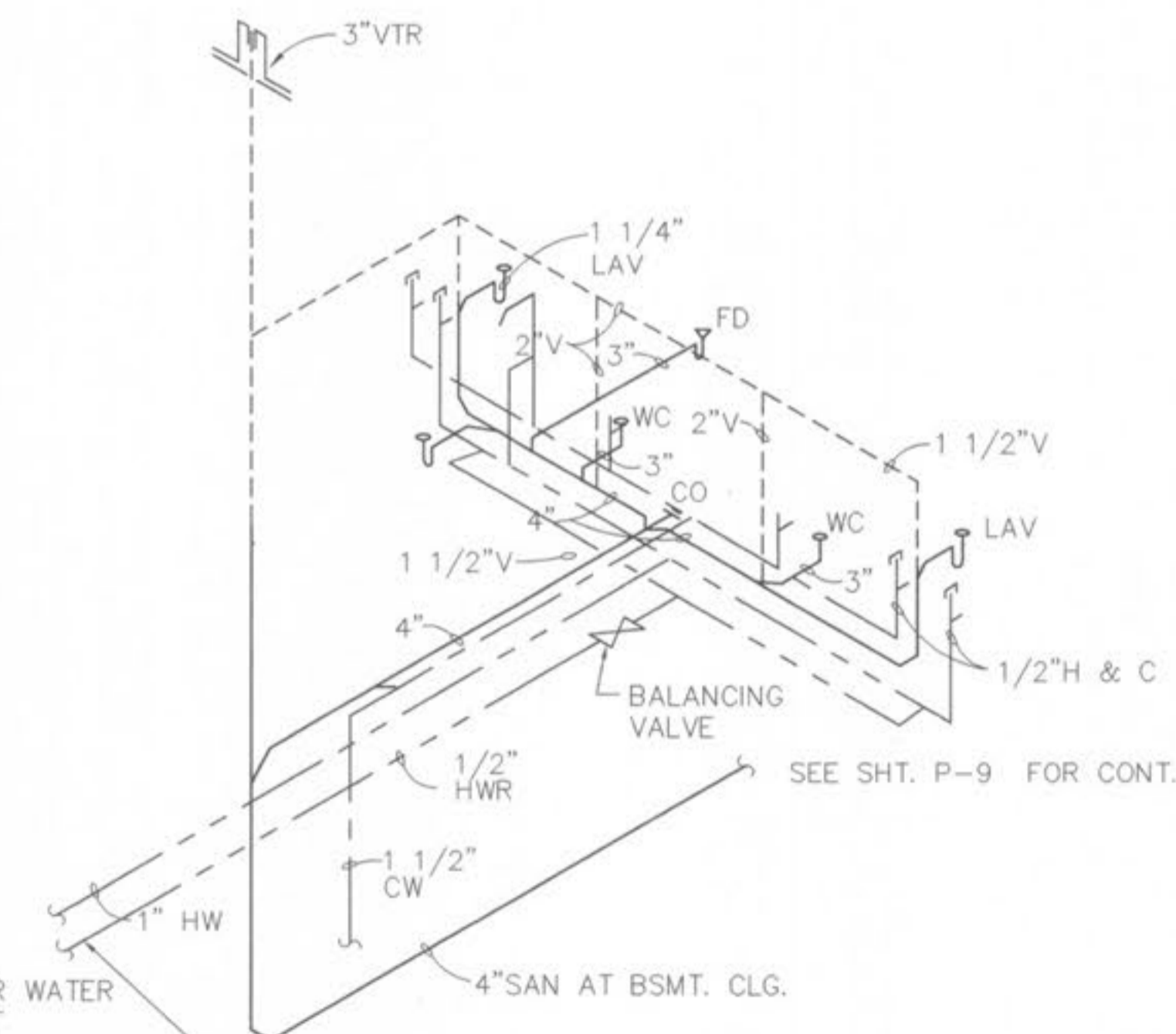
P DWV AND WATER ISOMETRIC
1-F EAST WING



P WATER ISOMETRIC
1-I EAST WING



P DWV AND WATER ISOMETRIC
1-I EAST WING



P DWV AND WATER ISOMETRIC
1-F EAST WING



Revisions
CONSTRUCTION ISSUE
DECEMBER 5, 1997

Project No.	96036
Date	SEPT. 4, 1997
Designed	
Drawn	
Drawing No.	P-21