

### FEEDER SCHEDULE

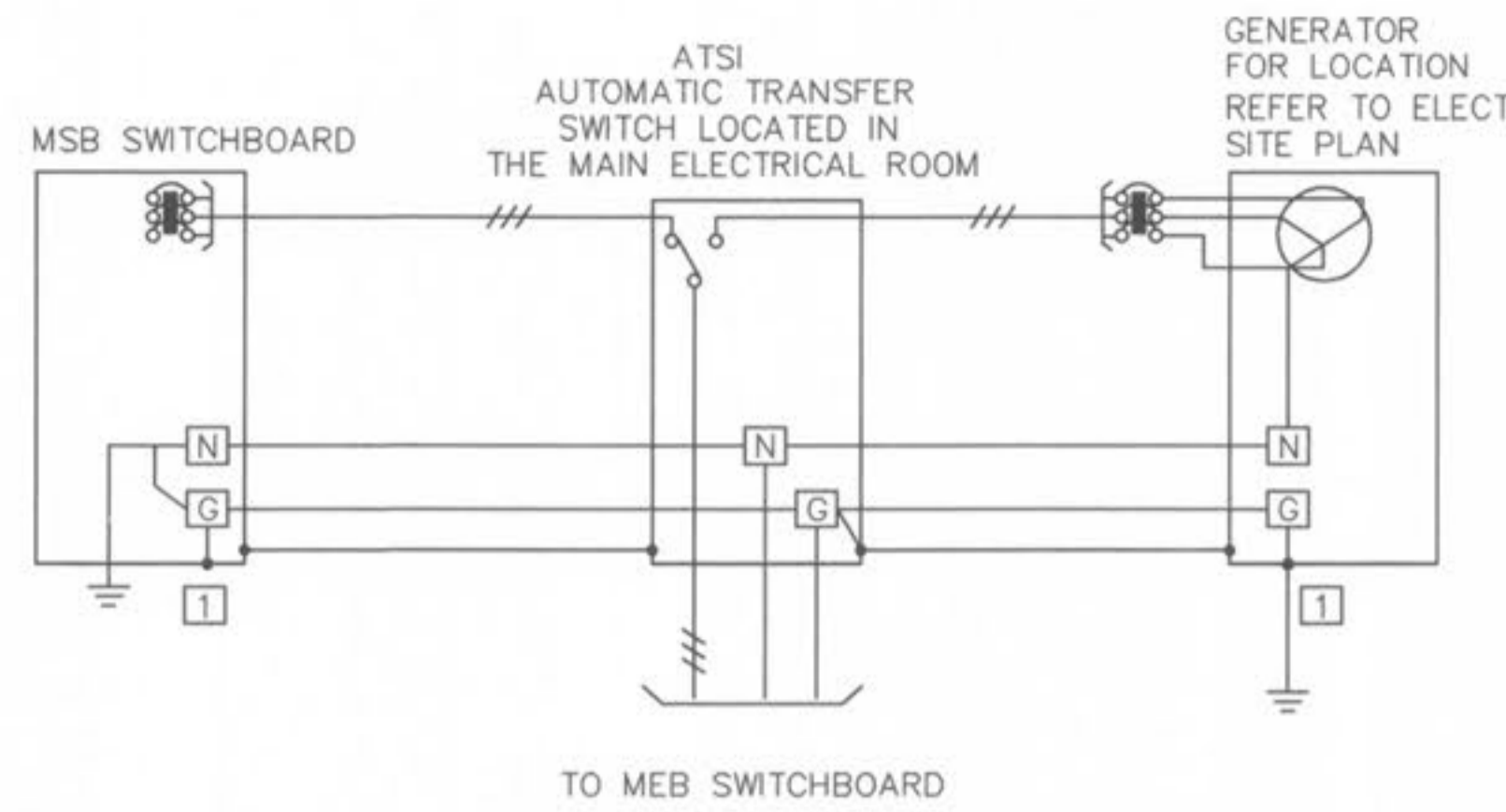
FEEDER NUMBER	PHASE		NEUTRAL		GROUND		CONDUIT		NOTES
	TOTAL NO.	SIZE	TOTAL NO.	SIZE	TOTAL NO.	SIZE	TOTAL NO.	SIZE	
1	9	500 KCM	3	500 KCM	3	1/0	3	3 1/2"	1140A
2	6	350 KCM	2	350 KCM	2	1/0	2	3"	600A
3	3	4	-	-	1	8	1	1 1/2"	60A
4	3	1	-	-	1	6	1	1 1/2"	100A
5	3	3/0	1	3/0	1	4	1	2"	200A
6	3	1/0	1	1/0	1	6	1	2"	150
7	3	250 KCM	1	250 KCM	1	2	1	2 1/2"	250A
8	3	350 KCM	1	350 KCM	1	4	1	3"	300A
9	3	1/0	-	-	1	6	1	2"	150A

### KEYED NOTES (THIS SHEET ONLY)

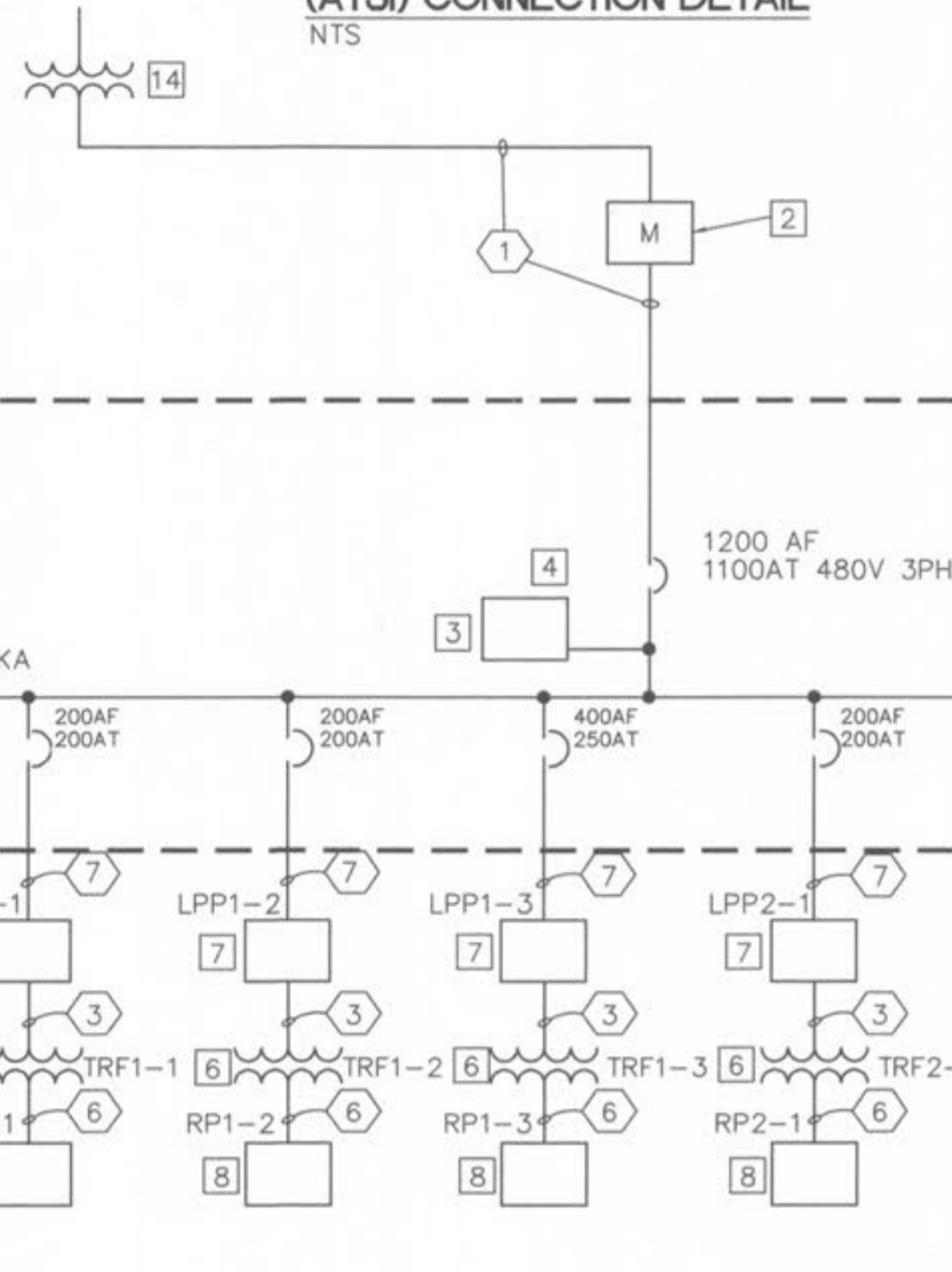
- 2/0 COPPER GROUNDING ELECTRODE CONDUCTOR.
- METERING CUBICLE TO BE PROVIDED PER U.E. INSTRUCTIONS, CONTRACTOR SHALL VERIFY U.E. REQUIREMENTS.
- 1Q DP-4000 WESTINGHOUSE MONITORING AND PROTECTIVE DEVICE OR SIMILAR.
- PROVIDE GROUND FAULT PROTECTION.
- 75 KVA 480V TO 208/120V 3PH Δ PRIMARY Y SECONDARY DRY TRANSFORMER LOCATED IN THE MAIN ELECTRICAL ROOM IN THE BASEMENT.
- 45 KVA 480V TO 208/120V 3PH Δ PRIMARY Y SECONDARY TRANSFORMER, PROTECTED BY 60A 3PH CIRCUIT BREAKER IN THE 480V PANEL.
- HVAC AND LIGHTING 480/277 3PH PANEL BOARD.
- 208/120V 3PH RECEPTACLE PANEL BOARD.
- 75 KVA 480V TO 208/120V 3PH TRANSFORMER Δ PRIMARY Y SECONDARY.
- EXISTING PANEL BOARD LOCATED ON STAGE.
- MSB-MAIN 480V 3PH SWITCHBOARD LOCATED IN THE MAIN ELECTRICAL ROOM IN THE BASEMENT.
- LOCATED IN THE MAIN ELECTRICAL ROOM IN THE BASEMENT.
- WALL MOUNTED NEXT TO THE TRANSFORMER.
- PAD MOUNTED 480V 3PH Y SECONDARY TRANSFORMER PROVIDED BY U.E.
- CONTRACTOR TO COORDINATE WITH THE ELEVATOR INSTALLER ELECTRICAL REQUIREMENTS. SHOULD CONTRADICTION ARISE, ELEVATOR INSTALLER'S REQUIREMENTS SHALL HAVE PRIORITY.
- 200A 3PH DISCONNECT.
- THE MCC CONSISTS OF 480V FOLLOWING ON/OFF/AUTO STARTERS: 25HP, 30HP, 2x20 HP FOR FURTHER INFORMATION SEE MECHANICAL SPECS.

### ELECTRICAL NOTES:

- REFERENCE SHEET FOR GENERAL ELECTRICAL NOTES, SYMBOLS AND ABBREVIATIONS.
- REFERENCE ELECTRICAL SHEETS AND MECHANICAL SHEETS FOR EQUIPMENT LOCATIONS.
- ALL CIRCUIT BREAKERS SHALL BE 3 POLE AND TO BE RATED AS FOLLOWING MEB AND MSB SWITCHBOARDS 42 KA MIN. ALL 480V PANELS 30KA MIN ALL 208V PANELS 10KA MIN.
- ALL CONDUCTORS SHALL BE COPPER TYPE THHN.



### AUTOMATIC TRANSFER SWITCH (ATSI) CONNECTION DETAIL NTS



EMERGENCY GENERATOR SET SHALL HAVE MINIMUM CAPABILITY OF THE FOLLOWING AT 30F-120F: 400 KW 500 KVA AT 0.8 PF 480/277 VAC 3 PHASE 60 HZ.

