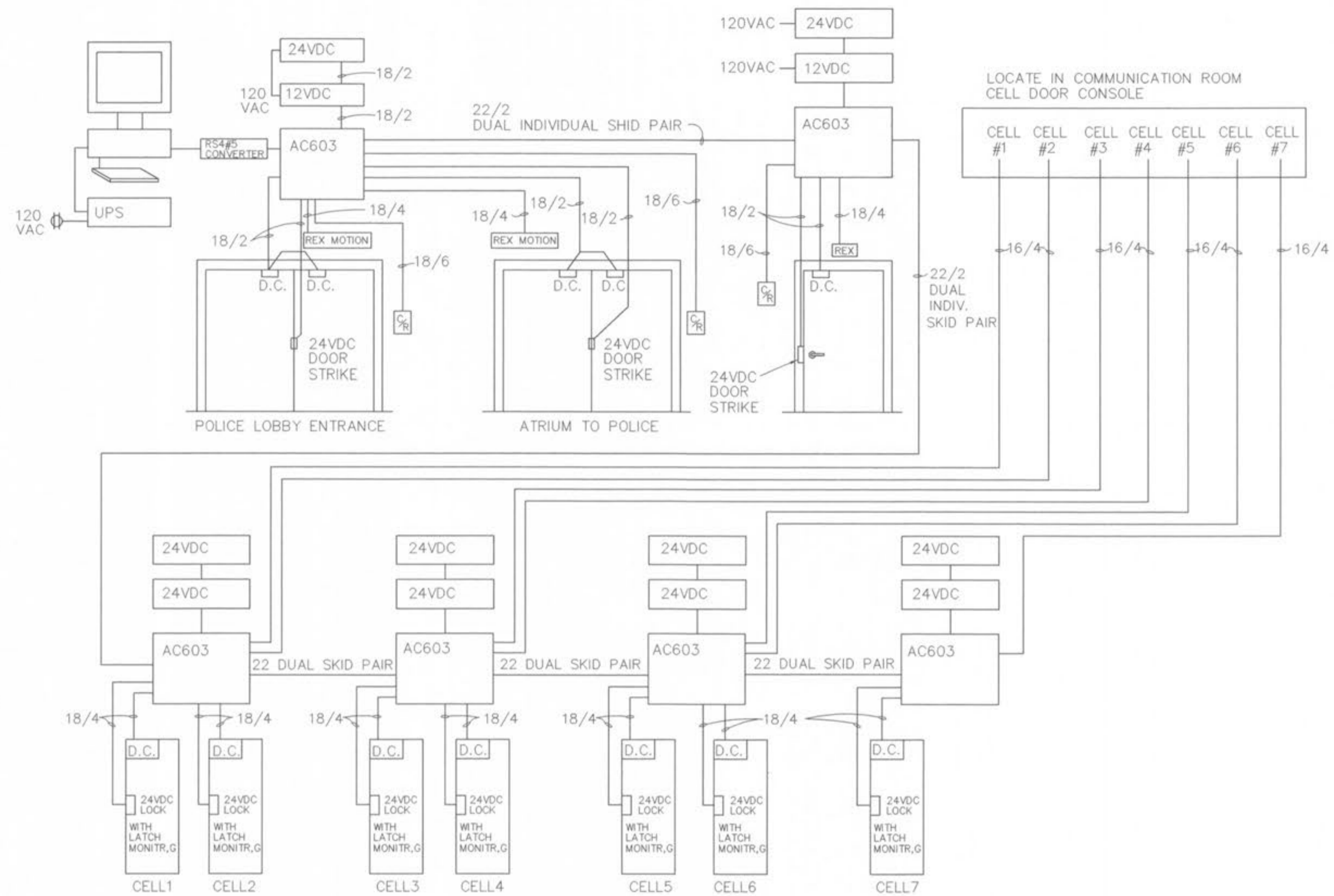


CAMERA SYSTEM ONE LINE  
NTS



ACCESS CONTROL SYSTEM ONE LINE DIAGRAM  
NTS



Revisions  
CONSTRUCTION ISSUE  
DECEMBER 5, 1997

Project No. 96036  
Date SEPT. 4, 1997  
Designed  
Drawn MAG3  
Drawing No.