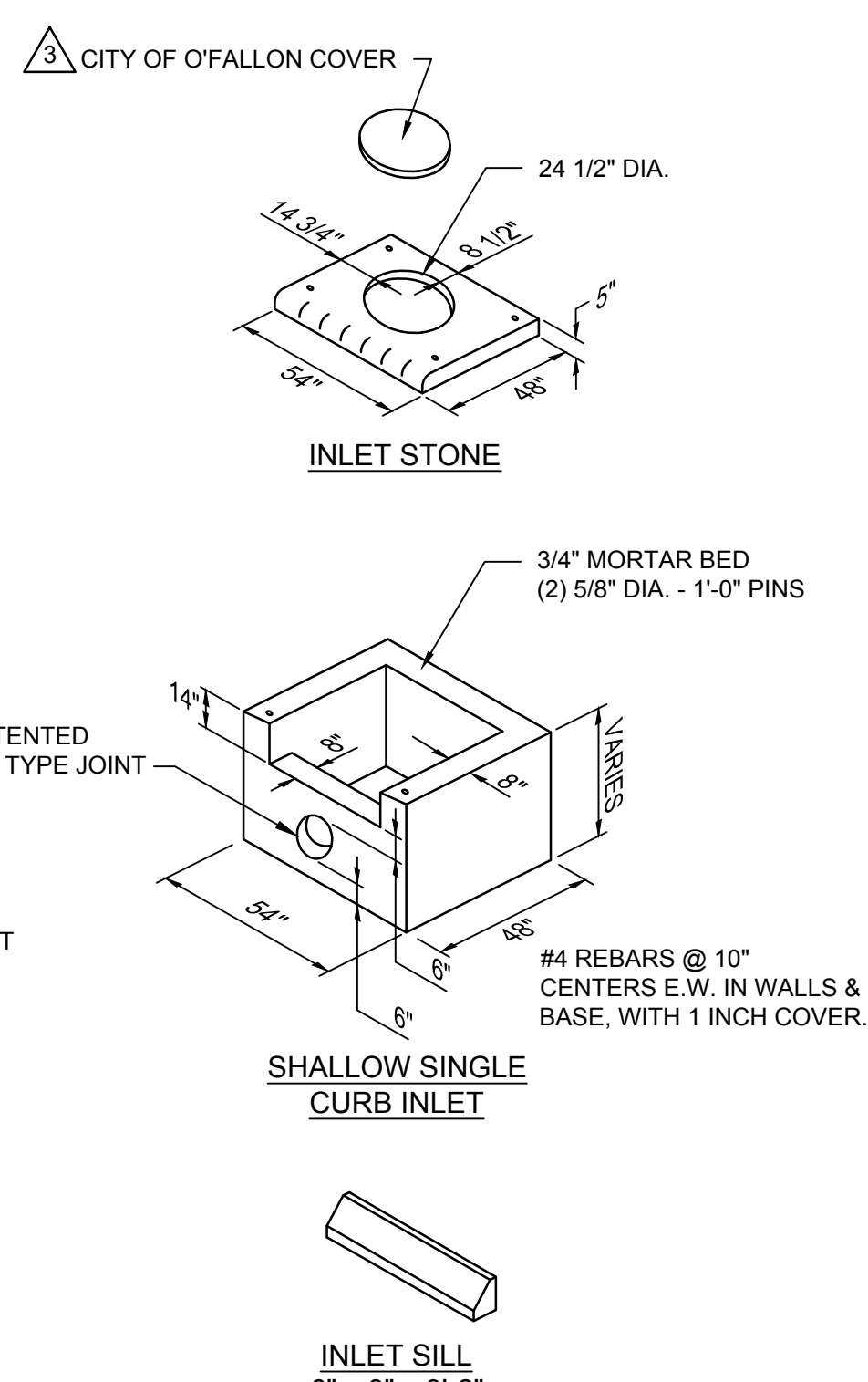
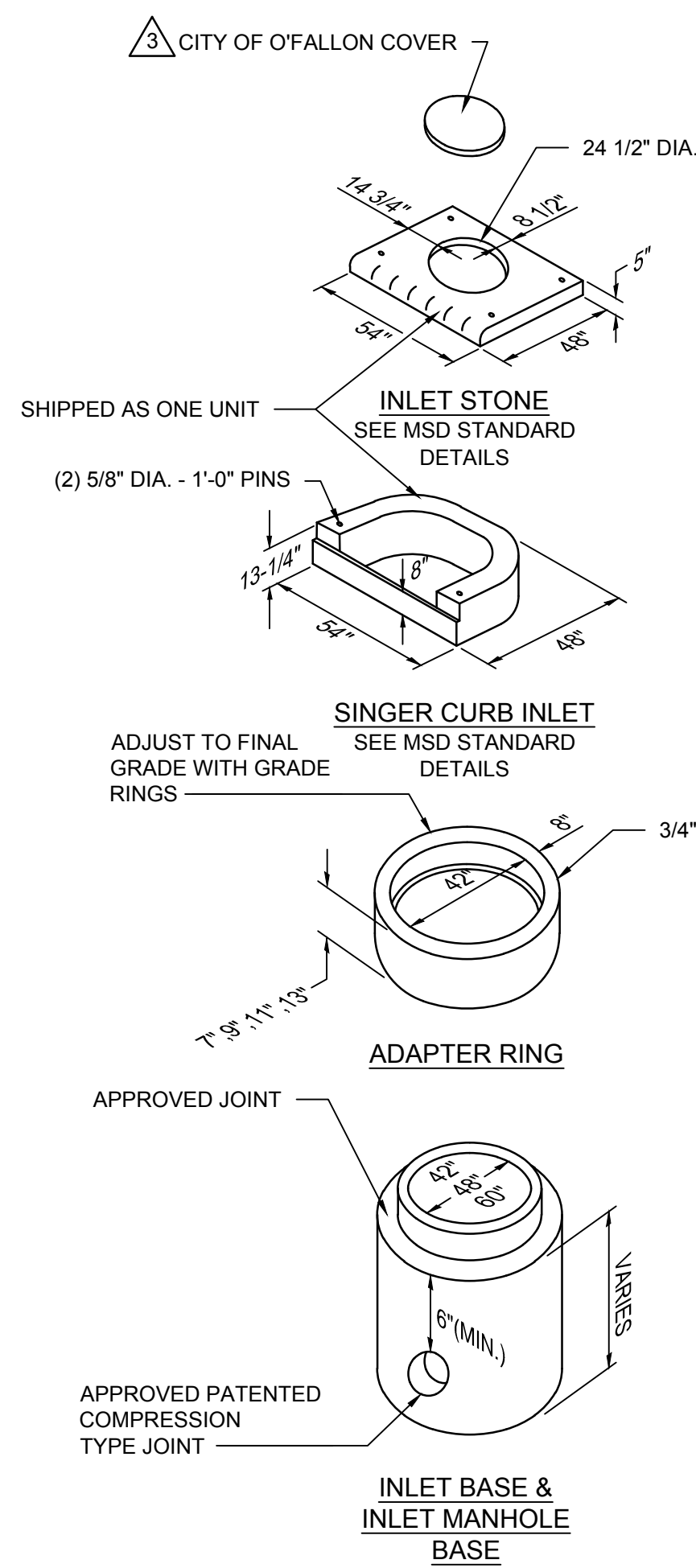


D

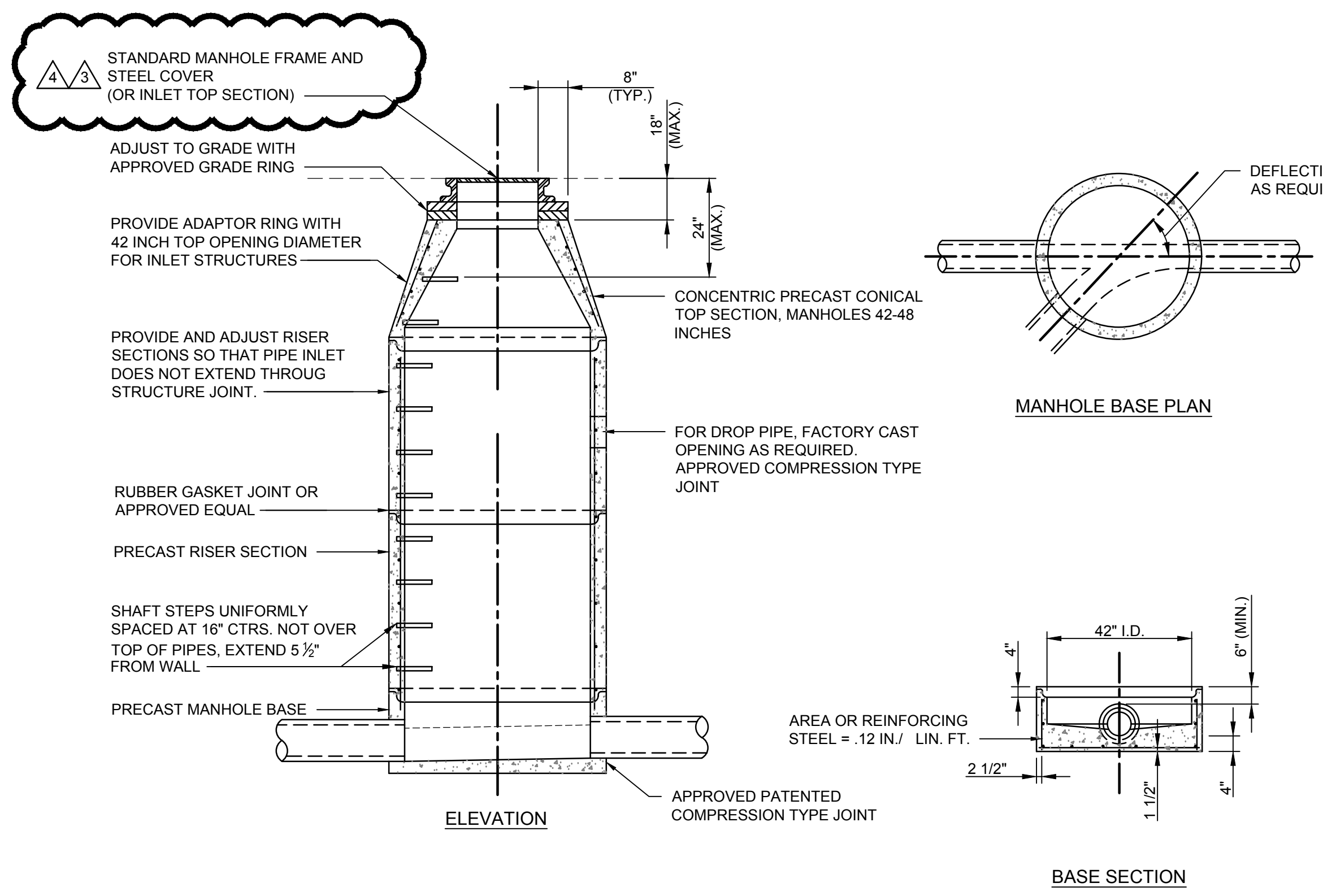
C



PIPE I.D. NOMINAL INCHES	SINGLE STREET INLET CIRCULAR BASE DIA.	RECTANGLE (MAX.)	MINIMUM DISTANCE E TO TOP OF STONE
12"	42"	48"	41"
15"	48"	48"	44"
18"	51"	48"	48"
21"	55"	51"	51"
24"	58"	54"	54"
27"	61"	N/A	81"
30"	N/A	N/A	85"
33"	N/A	N/A	88"

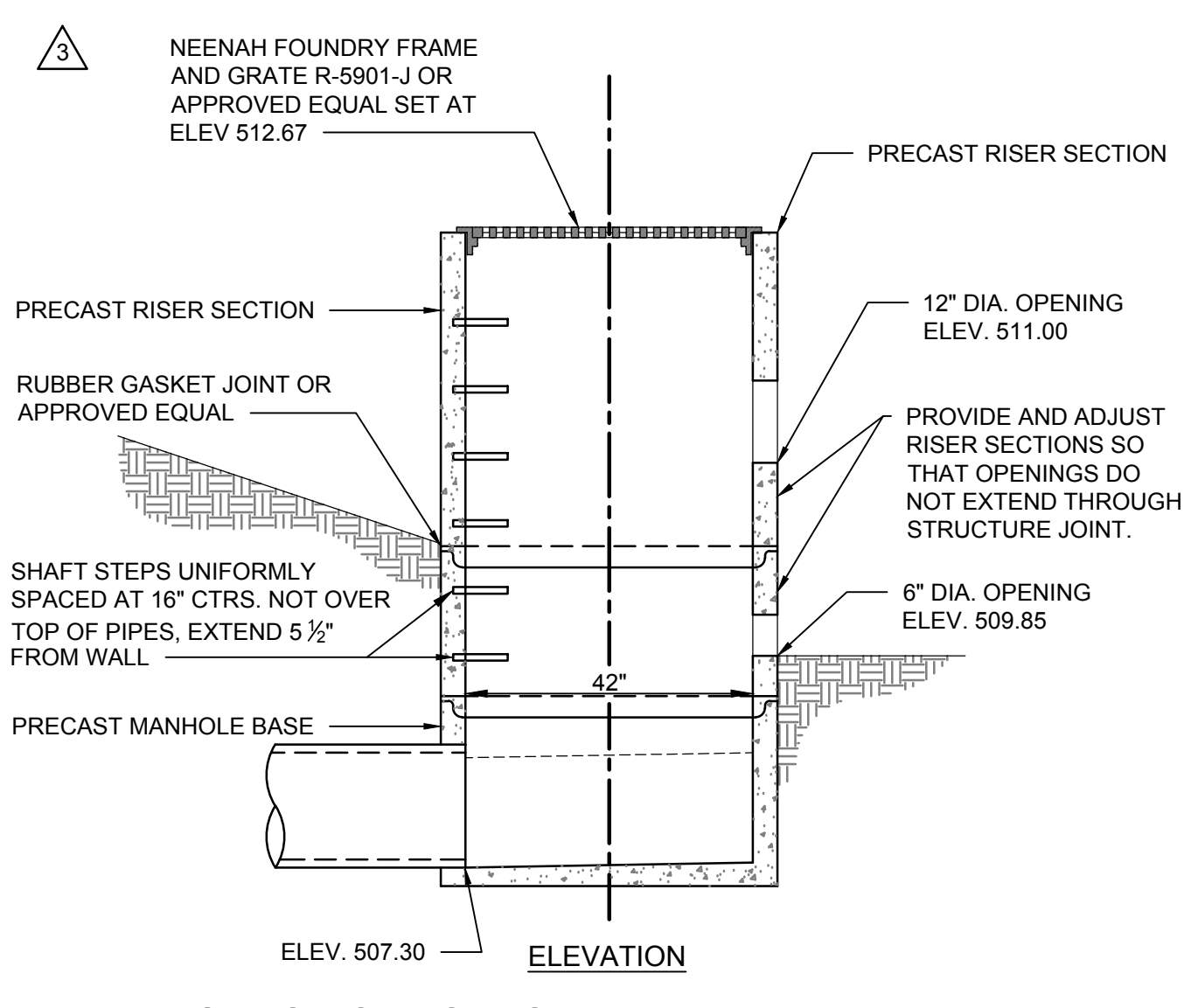
6 PROJECT SPECIFIC PRECAST CONCRETE SINGLE CURB INLETS
SCALE: N.T.S.

8 PROJECT SPECIFIC PRECAST CONCRETE MANHOLE
SCALE: N.T.S.



- NOTES:
1. THE MINIMUM INSIDE DIAMETER FOR THE BASE AND RISER SECTIONS SHALL BE 42 INCHES FOR 8 INCH DIAMETER SANITARY SEWERS AND ALL STORM SEWERS. THE MINIMUM INSIDE DIAMETER FOR SANITARY SEWERS LARGER THAN 8 INCH DIAMETER IS 48 INCHES. MANHOLE SHALL BEET ASTM C-478 REQUIREMENTS.
 2. FLOWLINE ELEVATION OF INCOMING PIPES SHALL BE 1" HIGHER THAN THAT OF OUTGOING PIPE.
 3. PIPE SIZES LARGER THAN 24 INCH DIAMETER MAY REQUIRE MANHOLE DIAMETERS OF 60 INCH, 72 INCH OR 96 INCH AS DETERMINED BY OUTSIDE DIAMETERS AND ORIENTATIONS OF CONNECTING PIPES.
 4. ECCENTRIC CONES SHALL BE USED ON DIAMETERS 60 INCH AND LARGER. STEPS SHALL EXTEND DOWN VERTICAL WALL OF CONE.
 5. PRIOR TO FABRICATION, SHOP DRAWINGS SHALL BE SUBMITTED TO THE ENGINEER FOR APPROVAL OF STRUCTURES ON PIPE DIAMETERS LARGER THAN 24 INCH AND ALSO FOR THOSE STRUCTURES WITH A DROP PIPE CONNECTION.

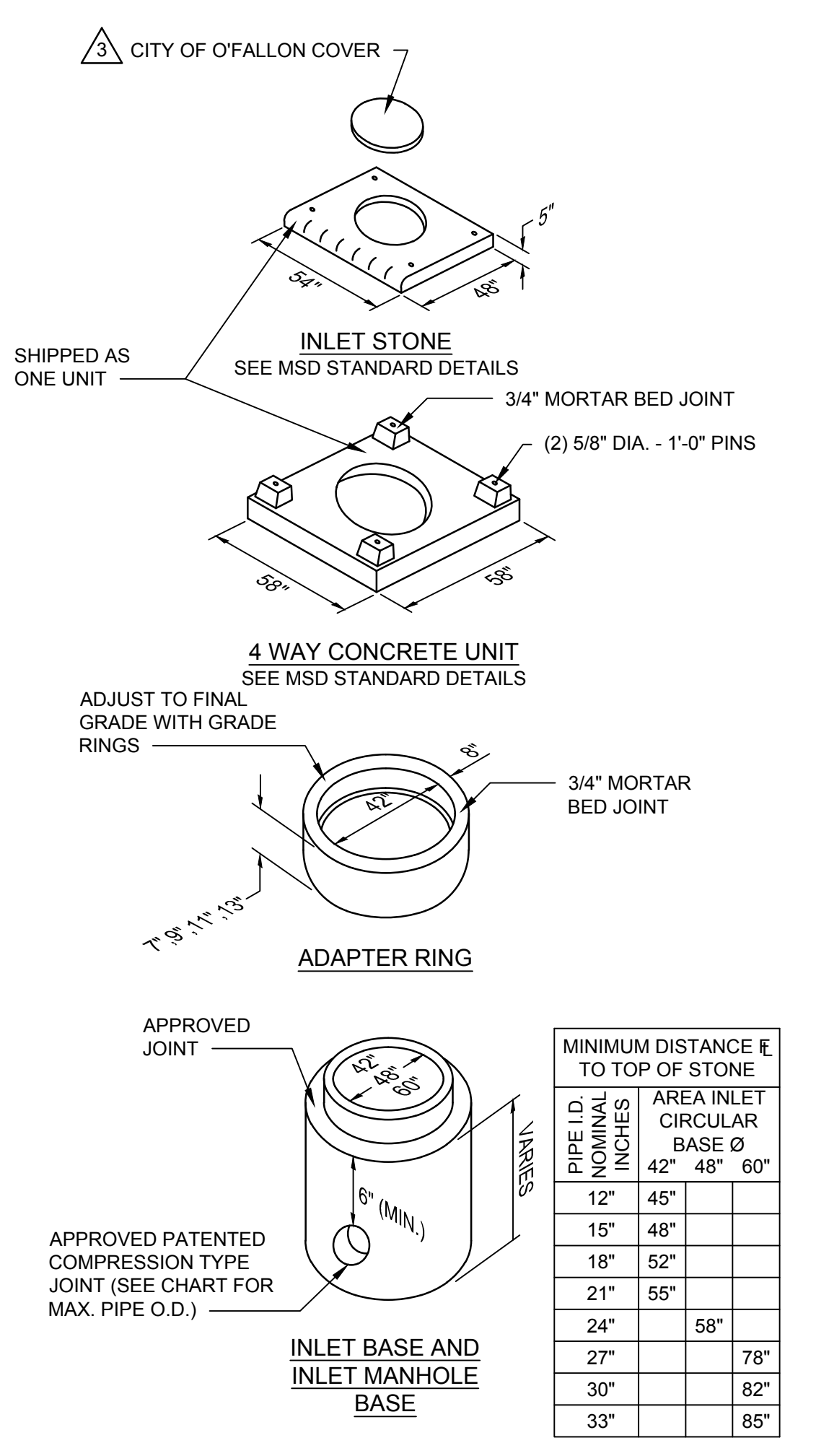
8 PROJECT SPECIFIC PRECAST CONCRETE MANHOLE
SCALE: N.T.S.



5 PROJECT SPECIFIC OUTLET STRUCTURE
SCALE: N.T.S.

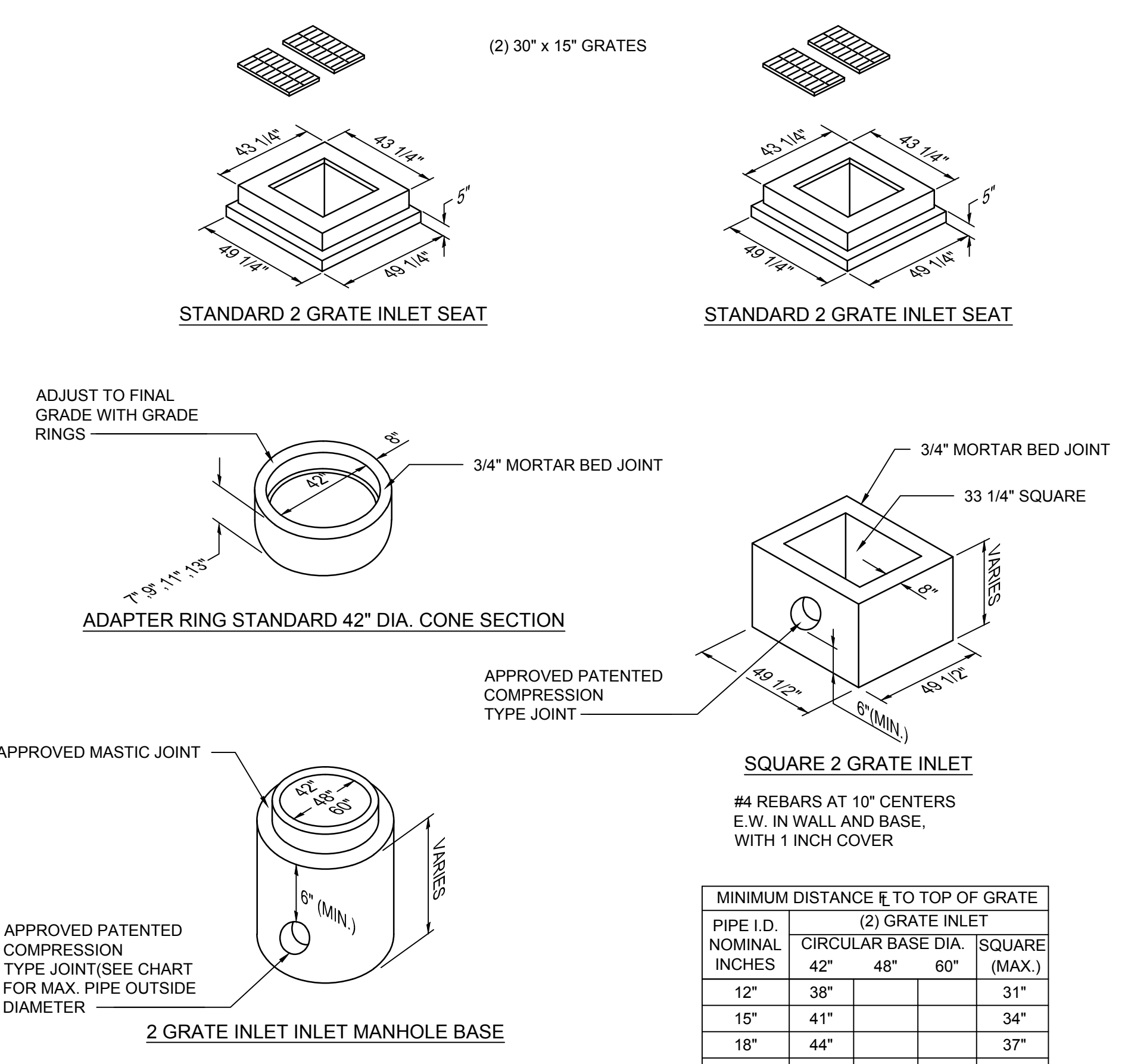
B

A



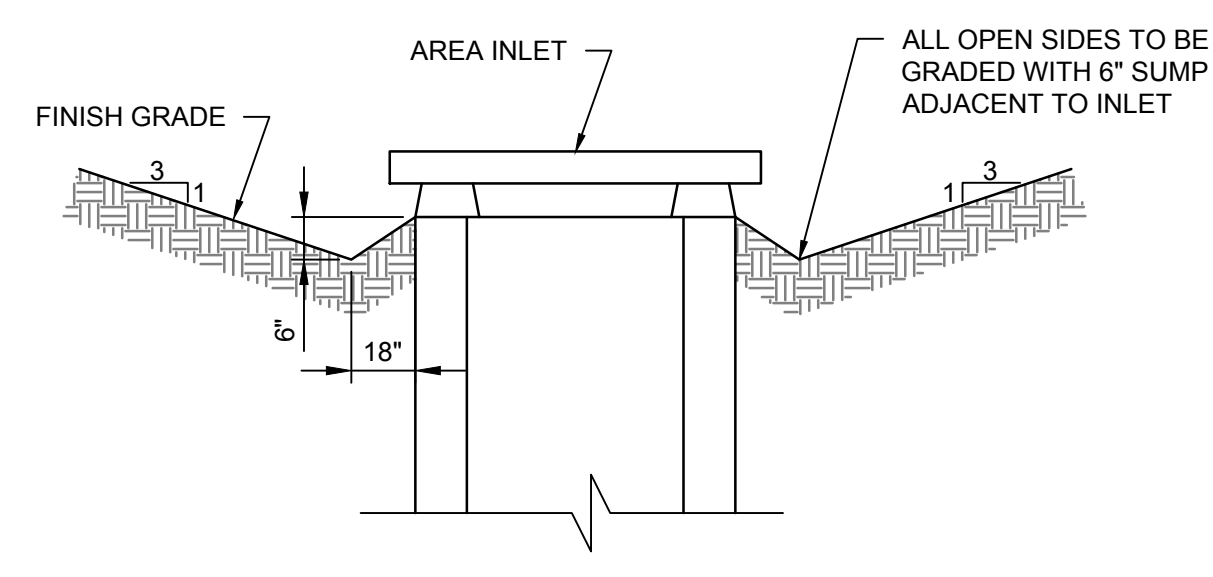
PIPE I.D. NOMINAL INCHES	AREA INLET CIRCULAR BASE Ø	MINIMUM DISTANCE E TO TOP OF STONE
12"	45"	45"
15"	48"	48"
18"	52"	52"
21"	55"	55"
24"	58"	58"
27"	78"	78"
30"	82"	82"
33"	85"	85"

16 PROJECT SPECIFIC PRECAST CONCRETE AREA INLET
SCALE: N.T.S.

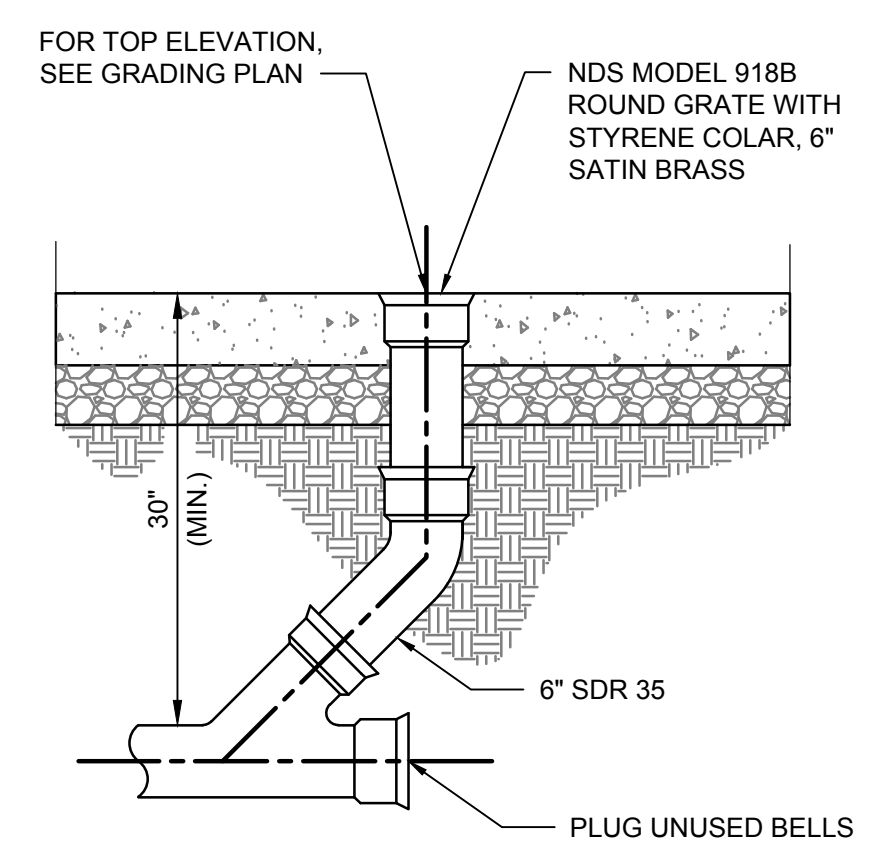


PIPE I.D. NOMINAL INCHES	(2) GRATE INLET CIRCULAR BASE DIA.	SQUARE (MAX.)	MINIMUM DISTANCE E TO TOP OF GRATE
12"	38"	31"	31"
15"	41"	34"	34"
18"	44"	37"	37"
21"	47"	40"	40"
24"	51"	44"	44"
27"	71"	N/A	71"
30"	74"	N/A	74"
33"	77"	N/A	77"

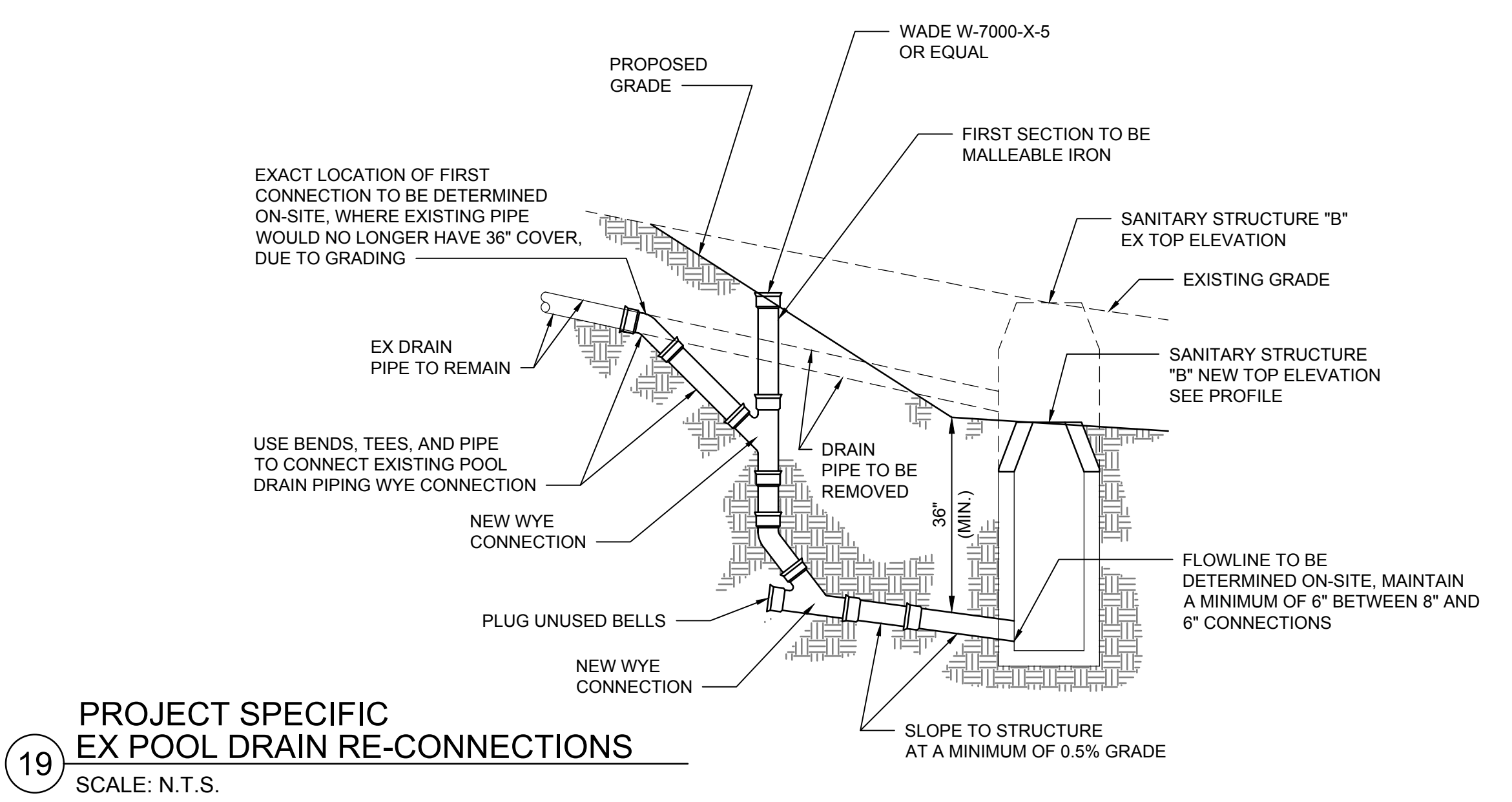
17 PROJECT SPECIFIC PRECAST 2 GRATE INLET
SCALE: N.T.S.



14 PROJECT SPECIFIC GRADING AT AREA INLETS
SCALE: N.T.S.



15 PROJECT SPECIFIC POOL DECK SPOT DRAIN
SCALE: N.T.S.



19 PROJECT SPECIFIC EX POOL DRAIN RE-CONNECTIONS
SCALE: N.T.S.

K:\FALLON\MO\MO\160104_SFS OF FALLON CIVIC PARK\08 CAD\07 CIVIL\SHETS\941_C4-01 - CIVIL SITE DETAILS.DWG

© 2017 10:15:19 AM