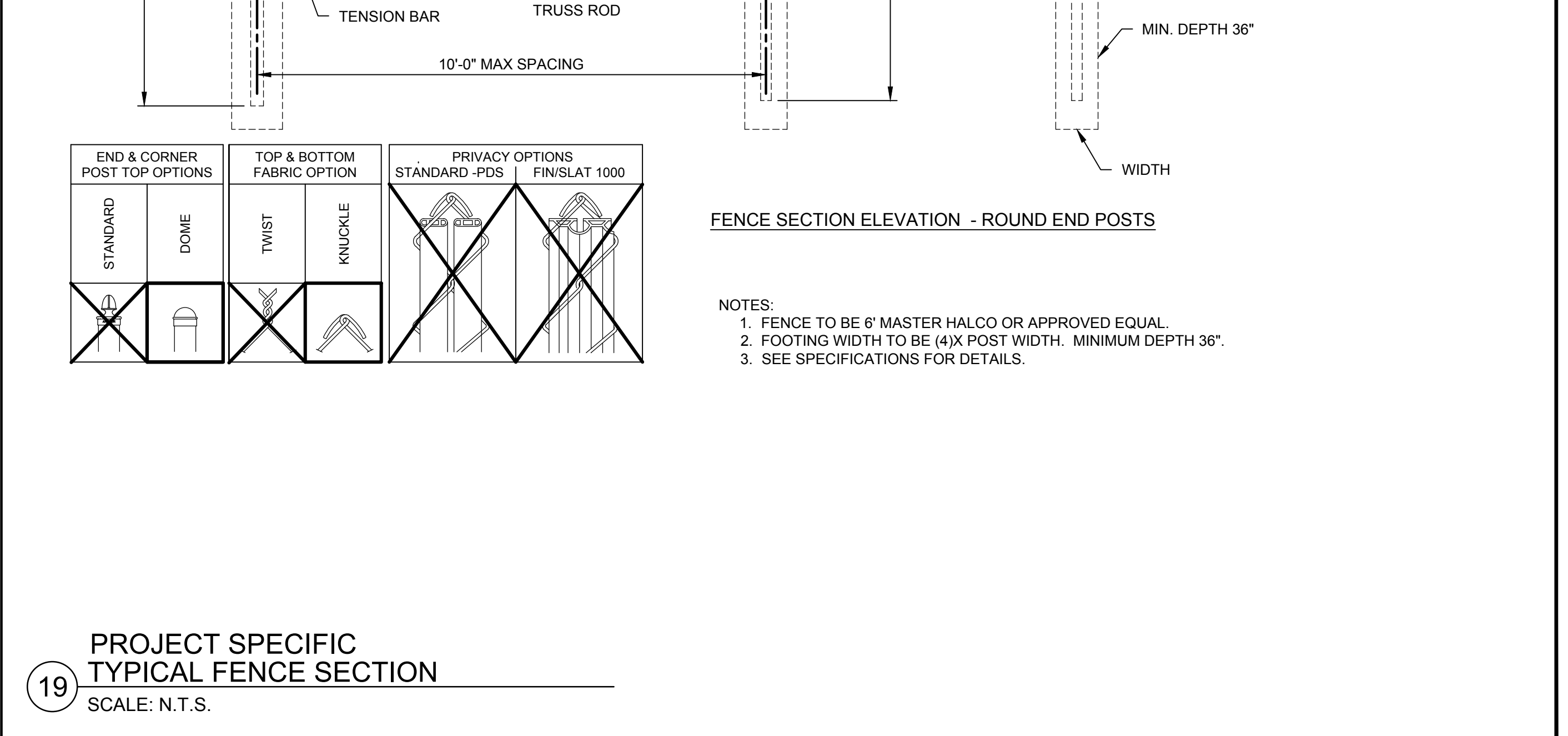
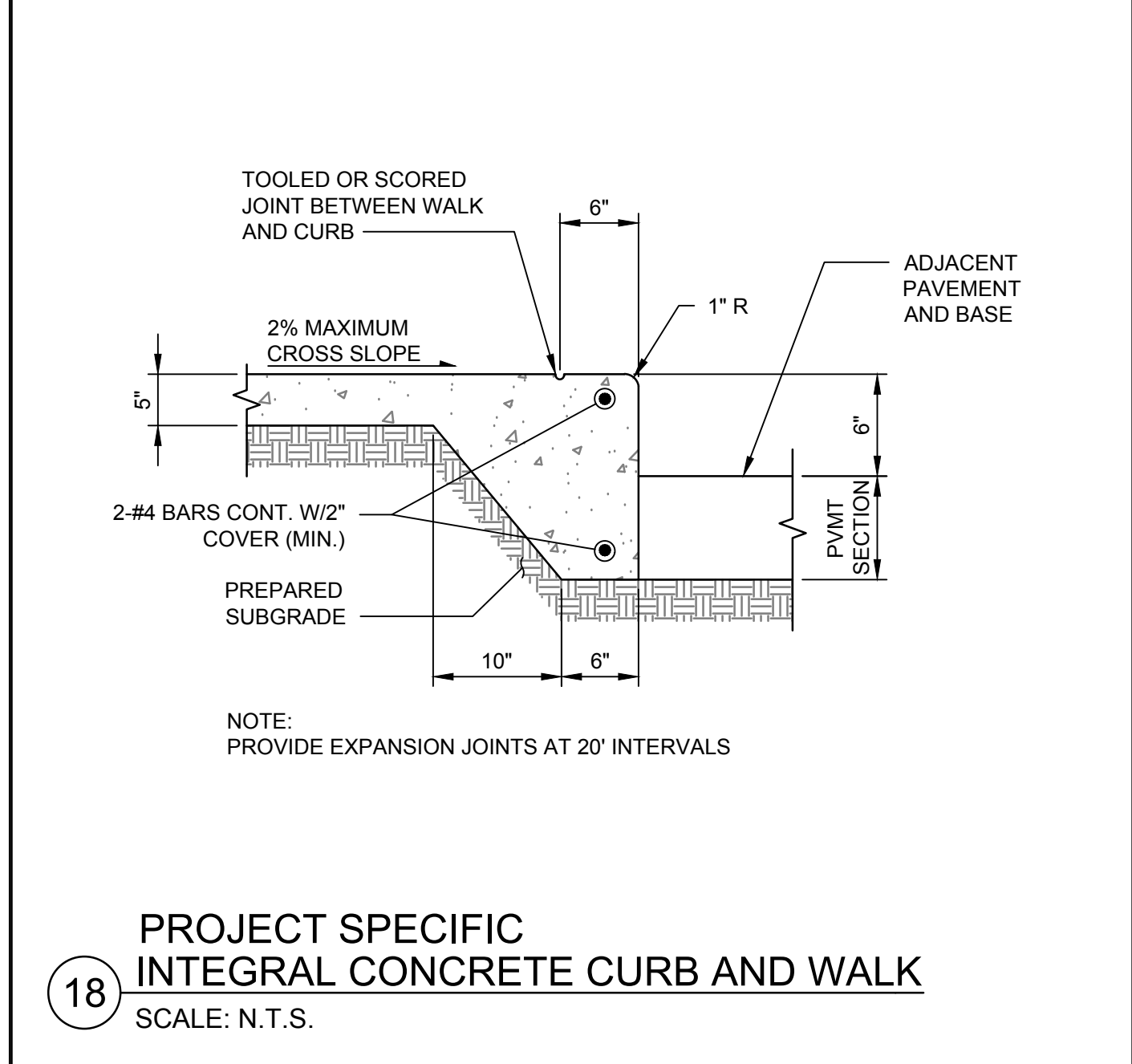
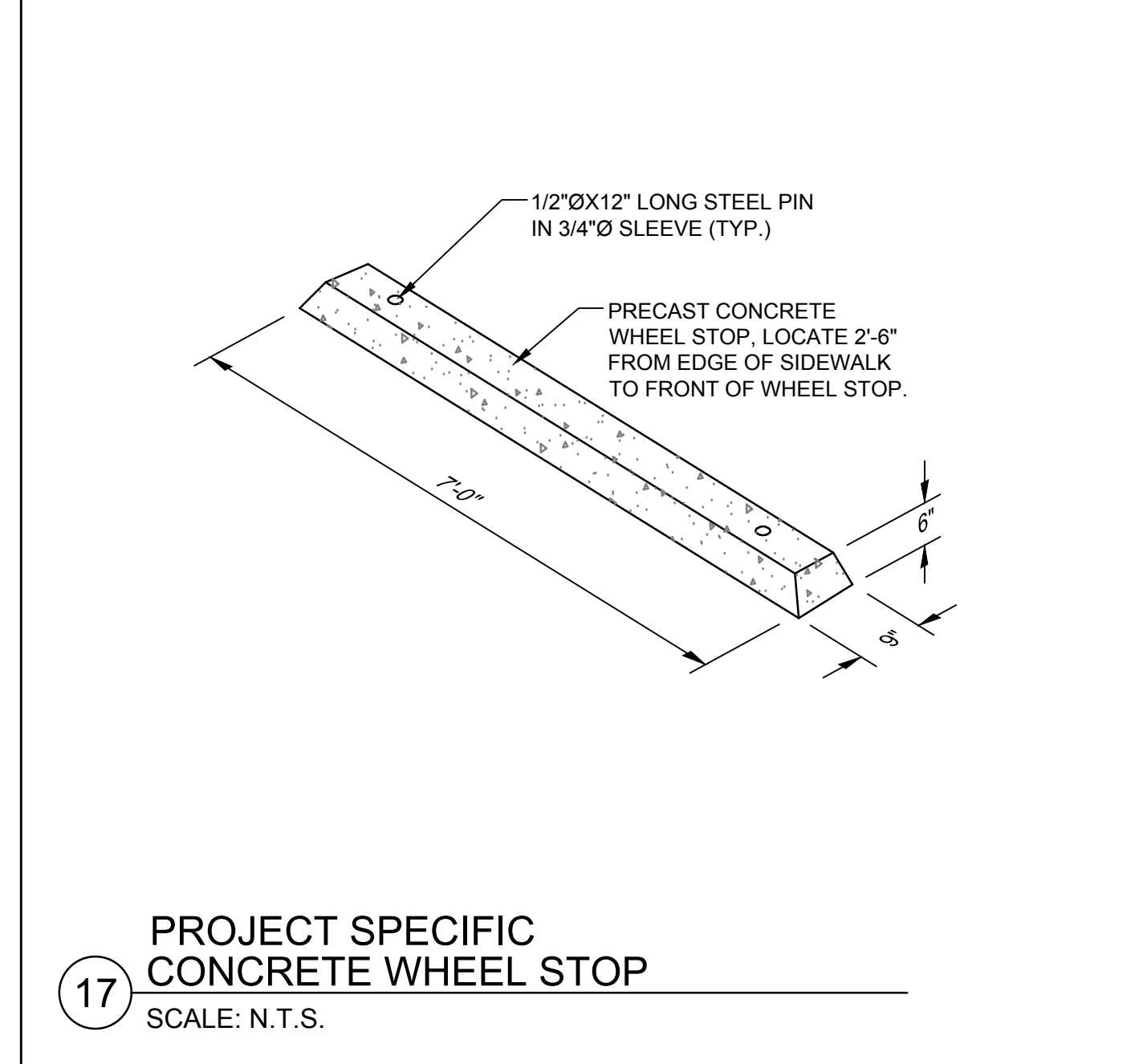
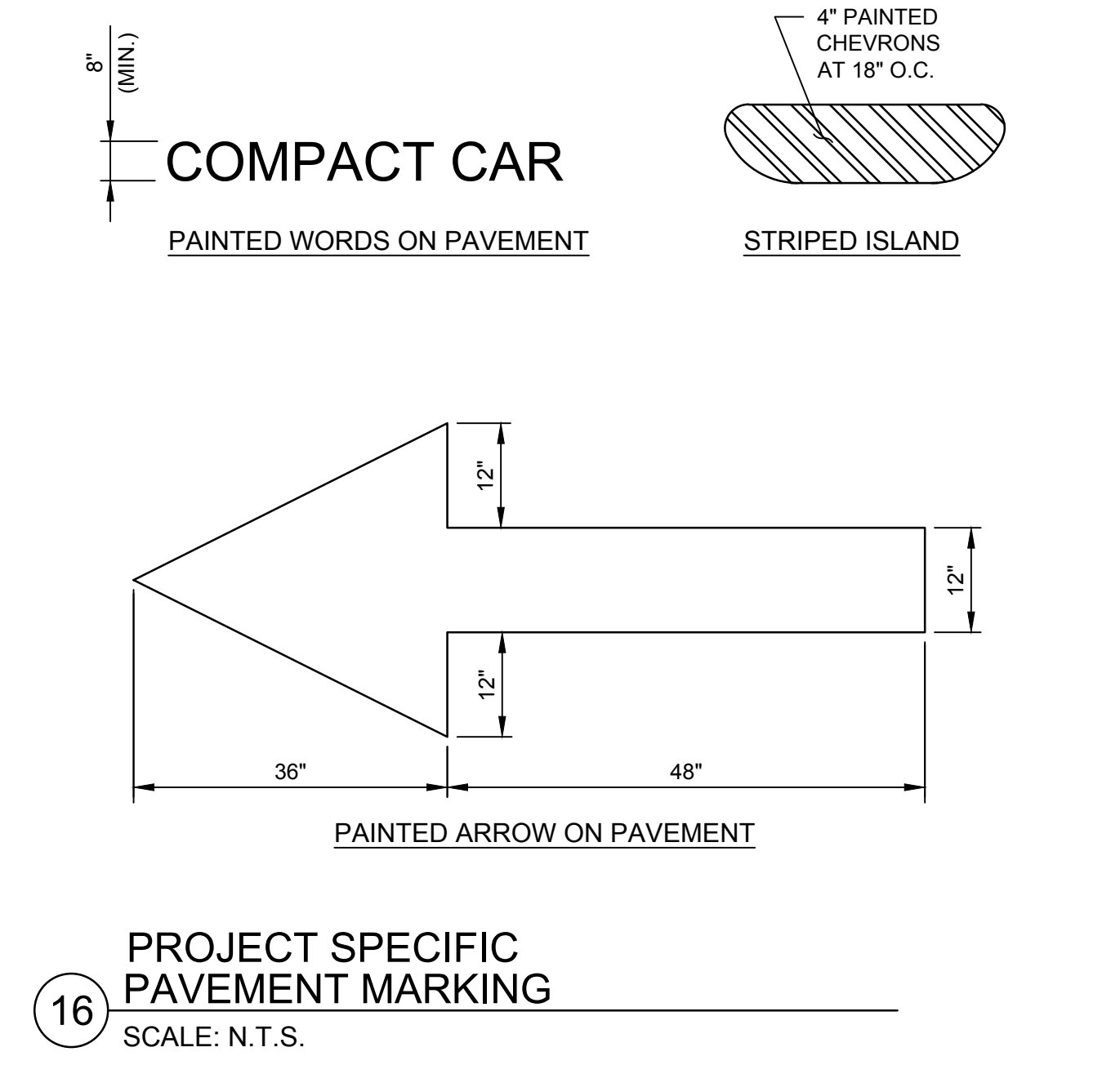
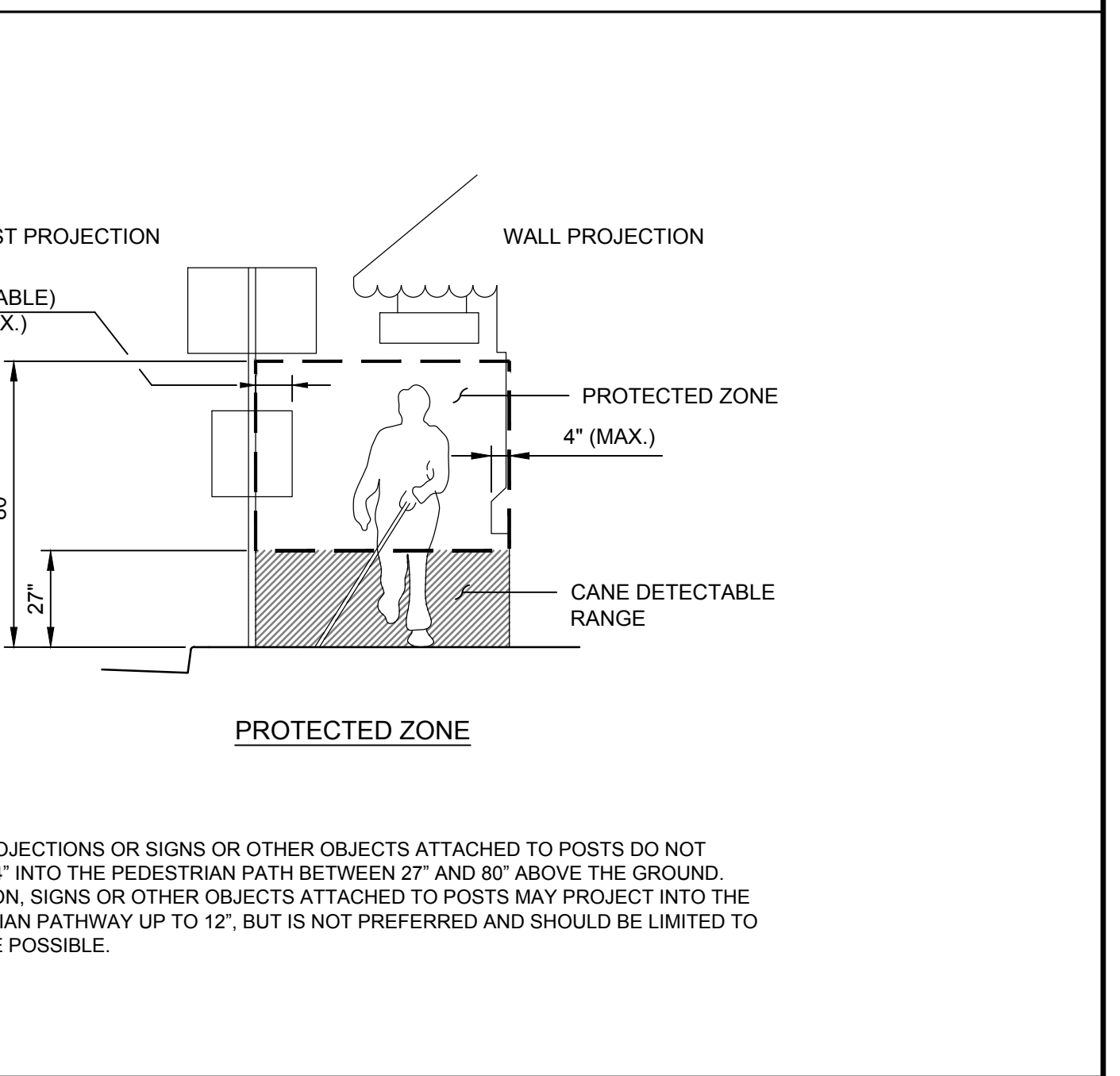
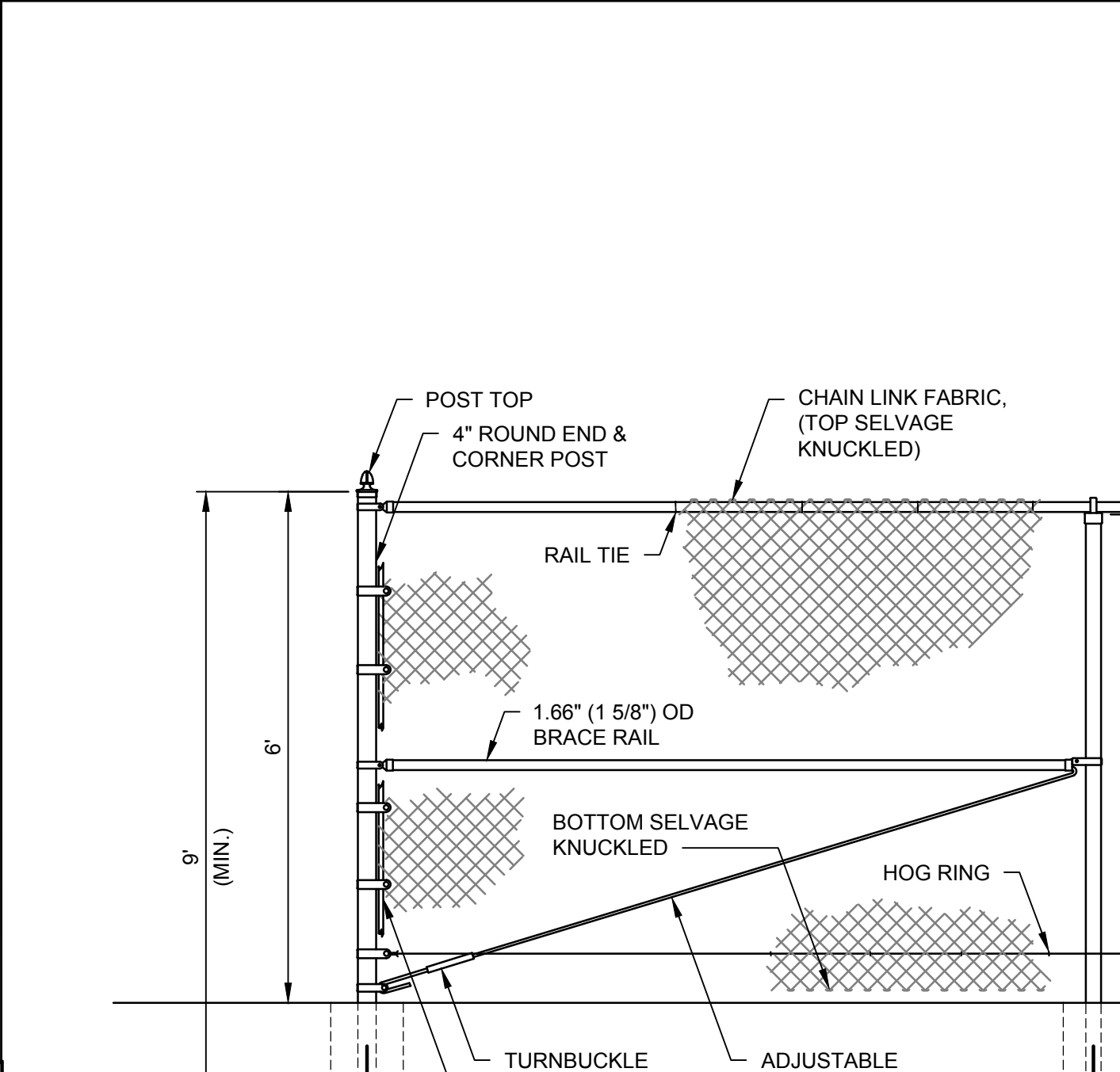
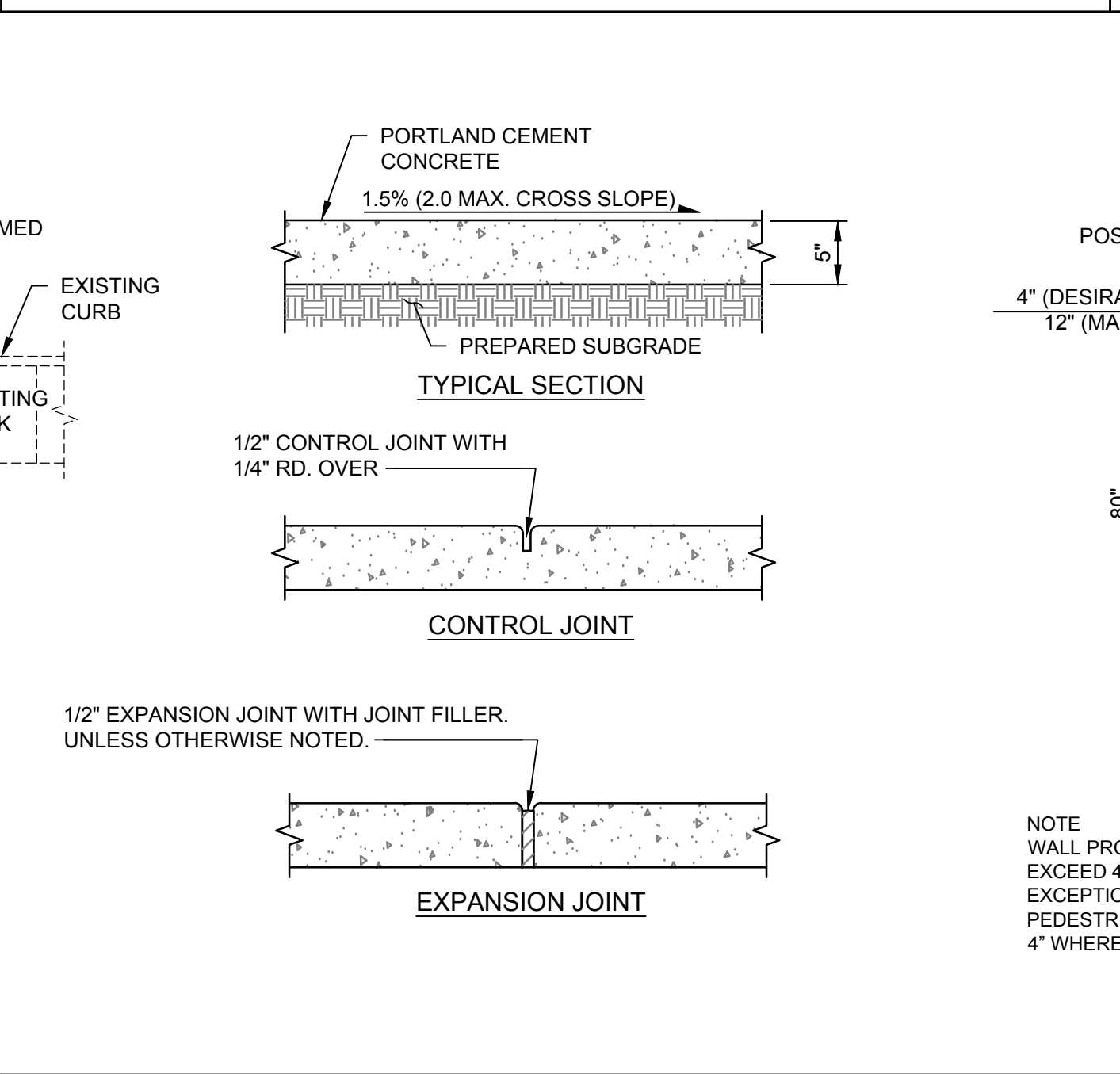
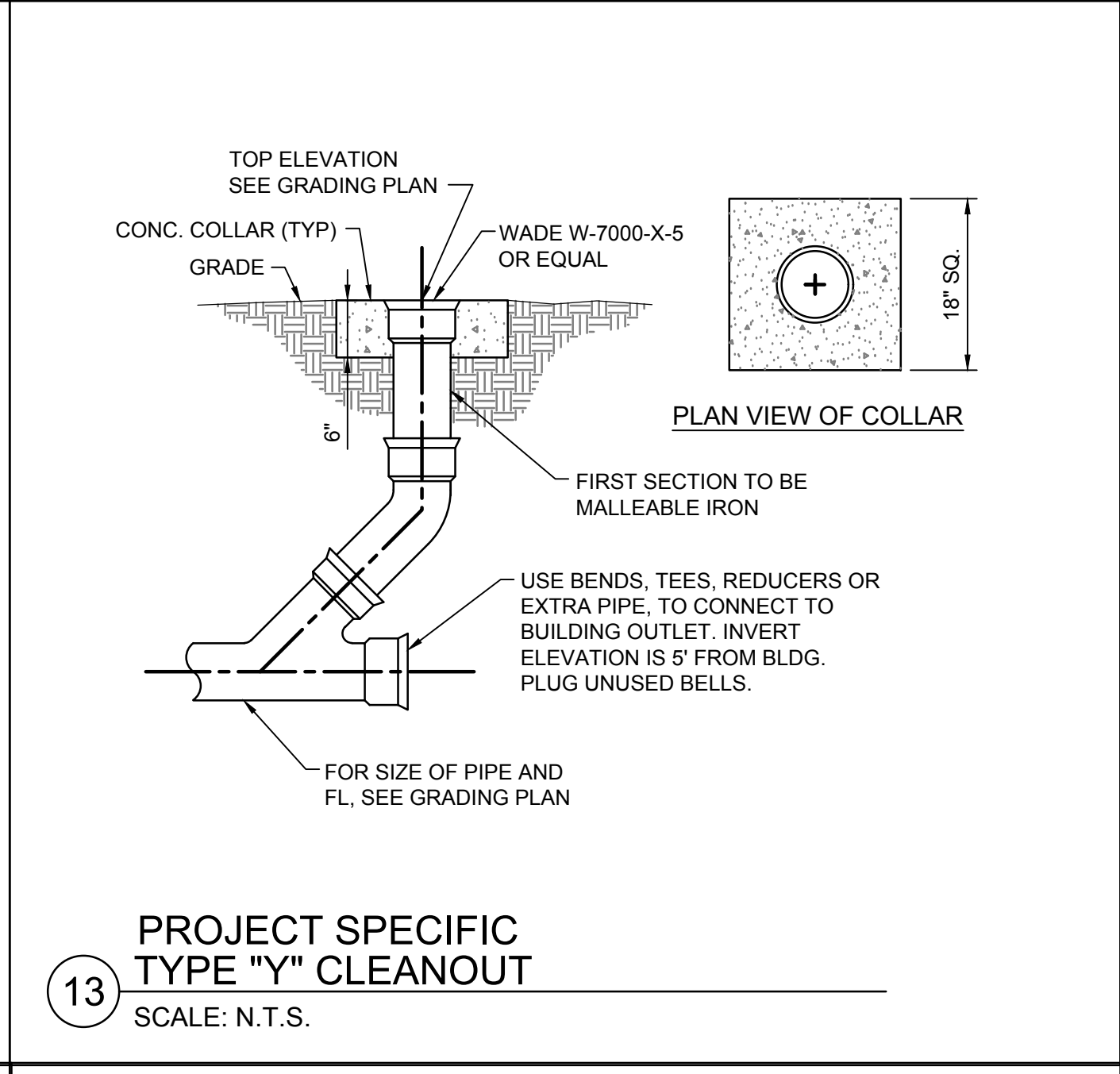
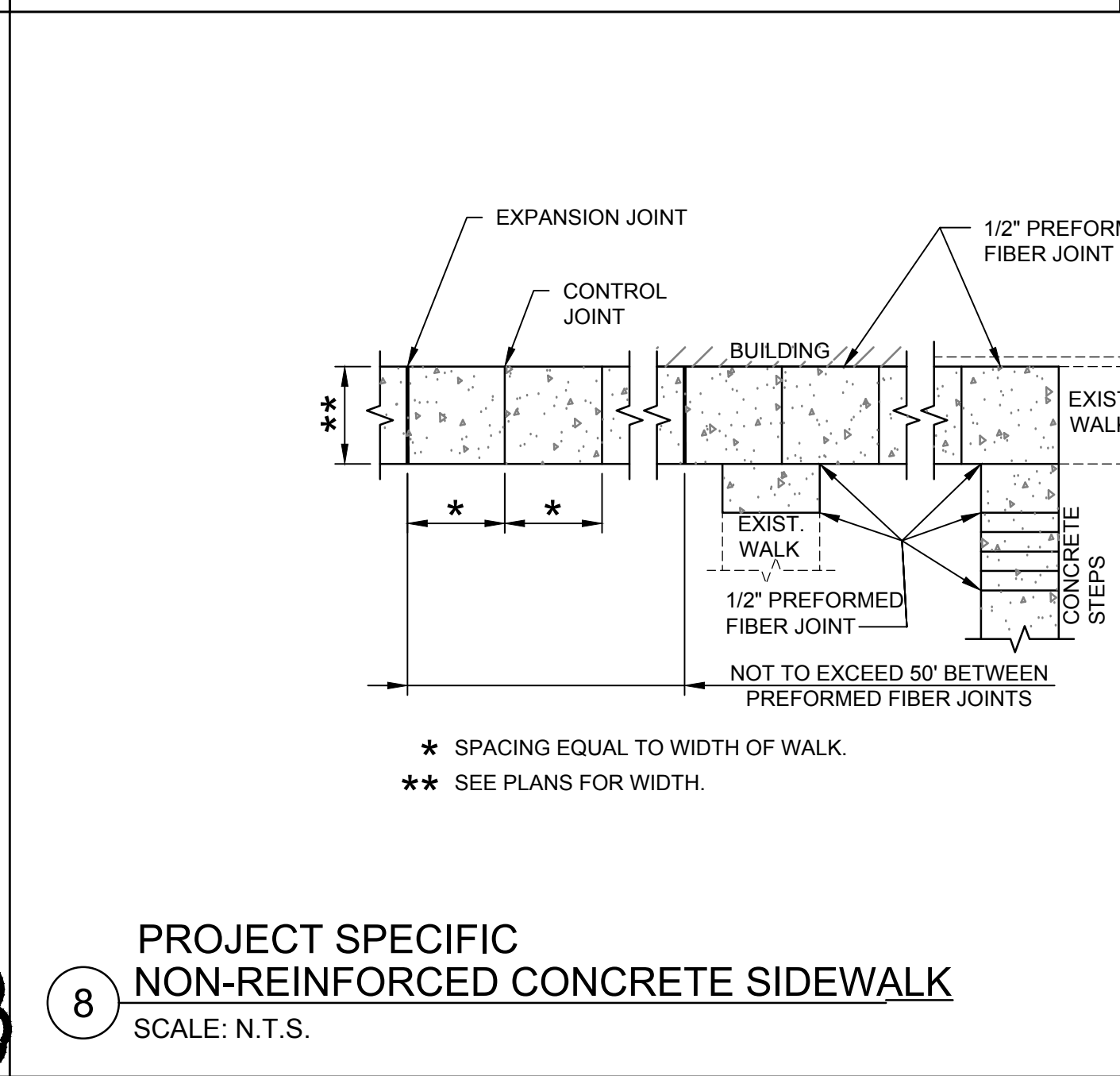
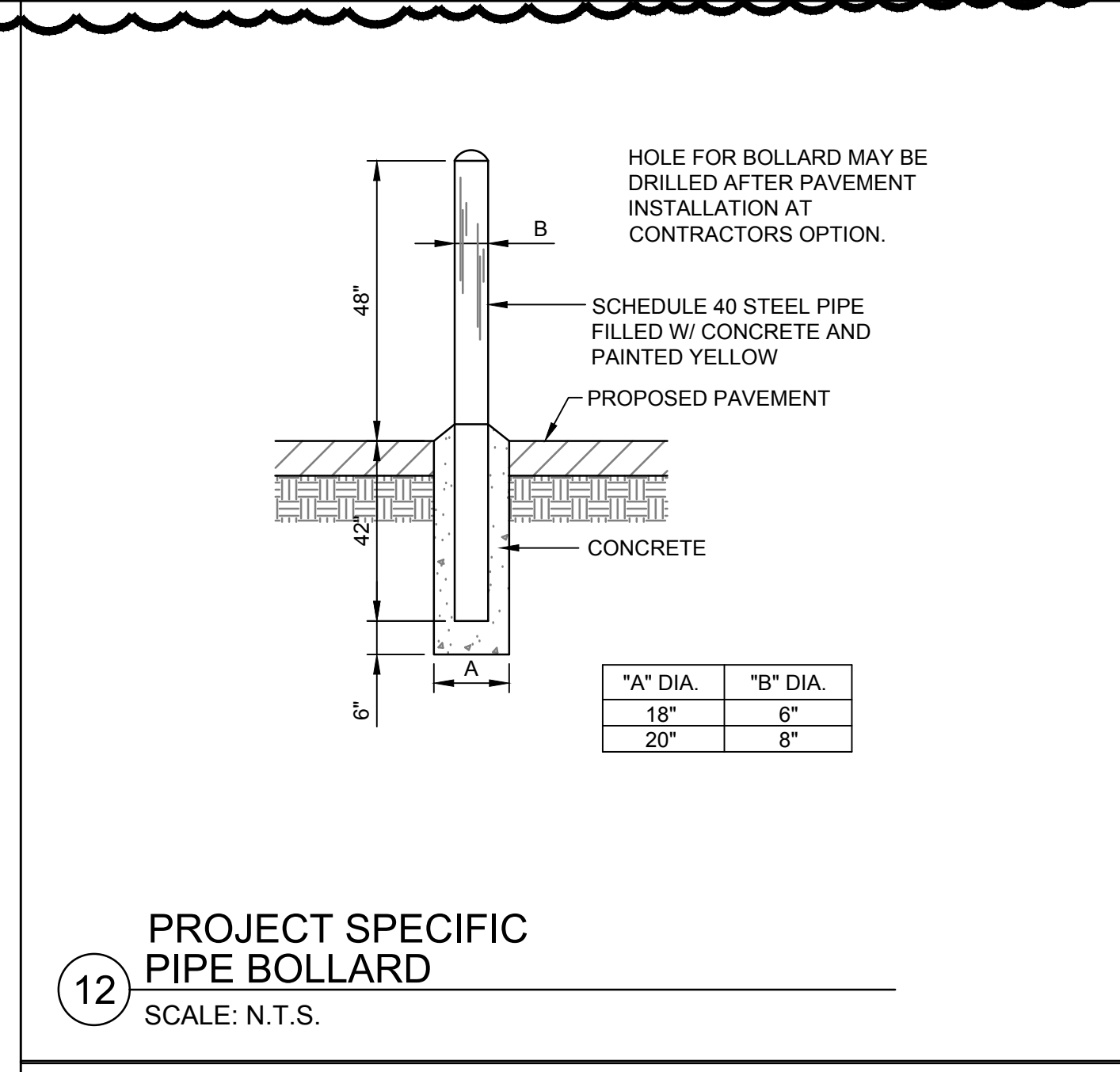
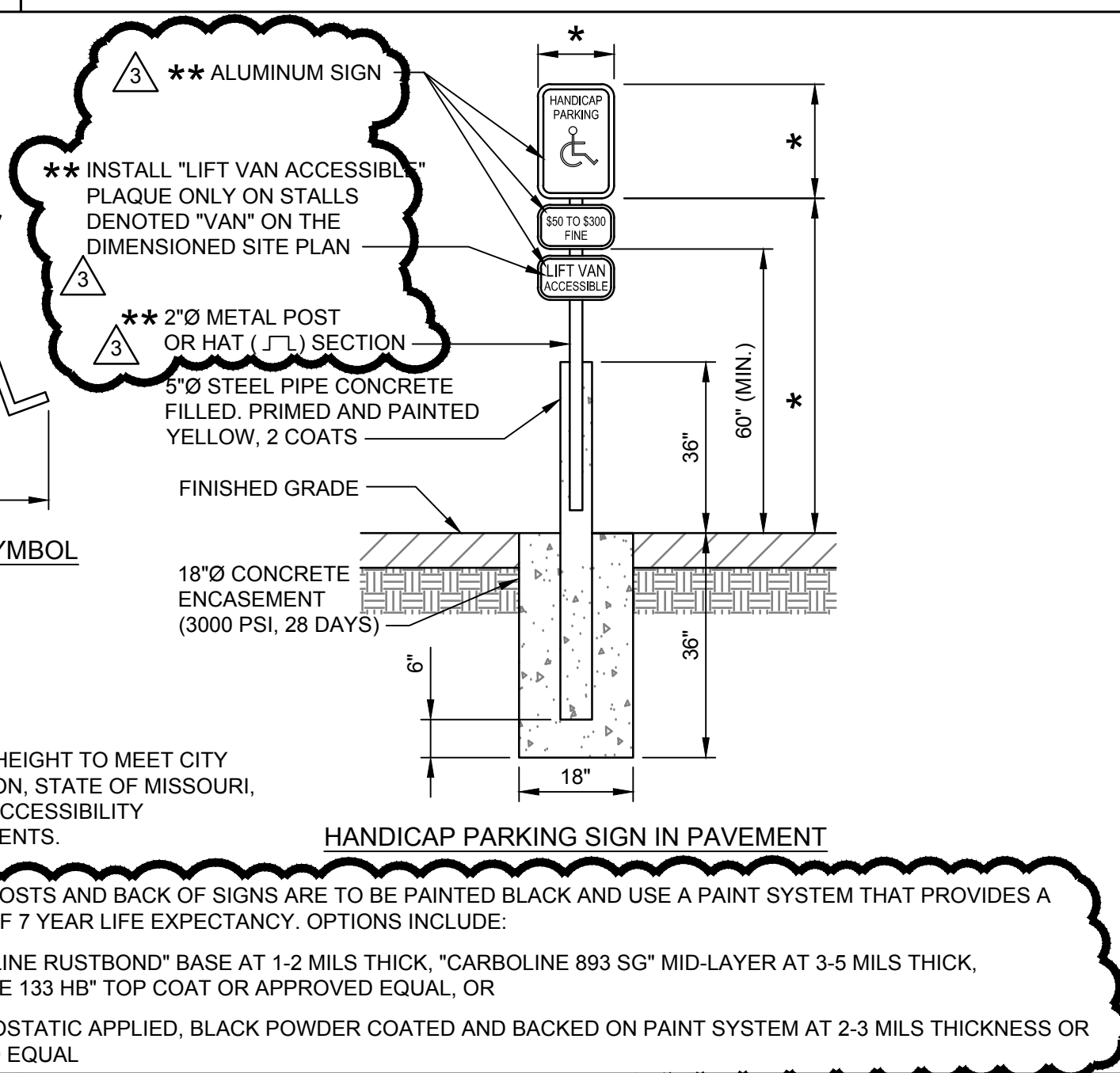
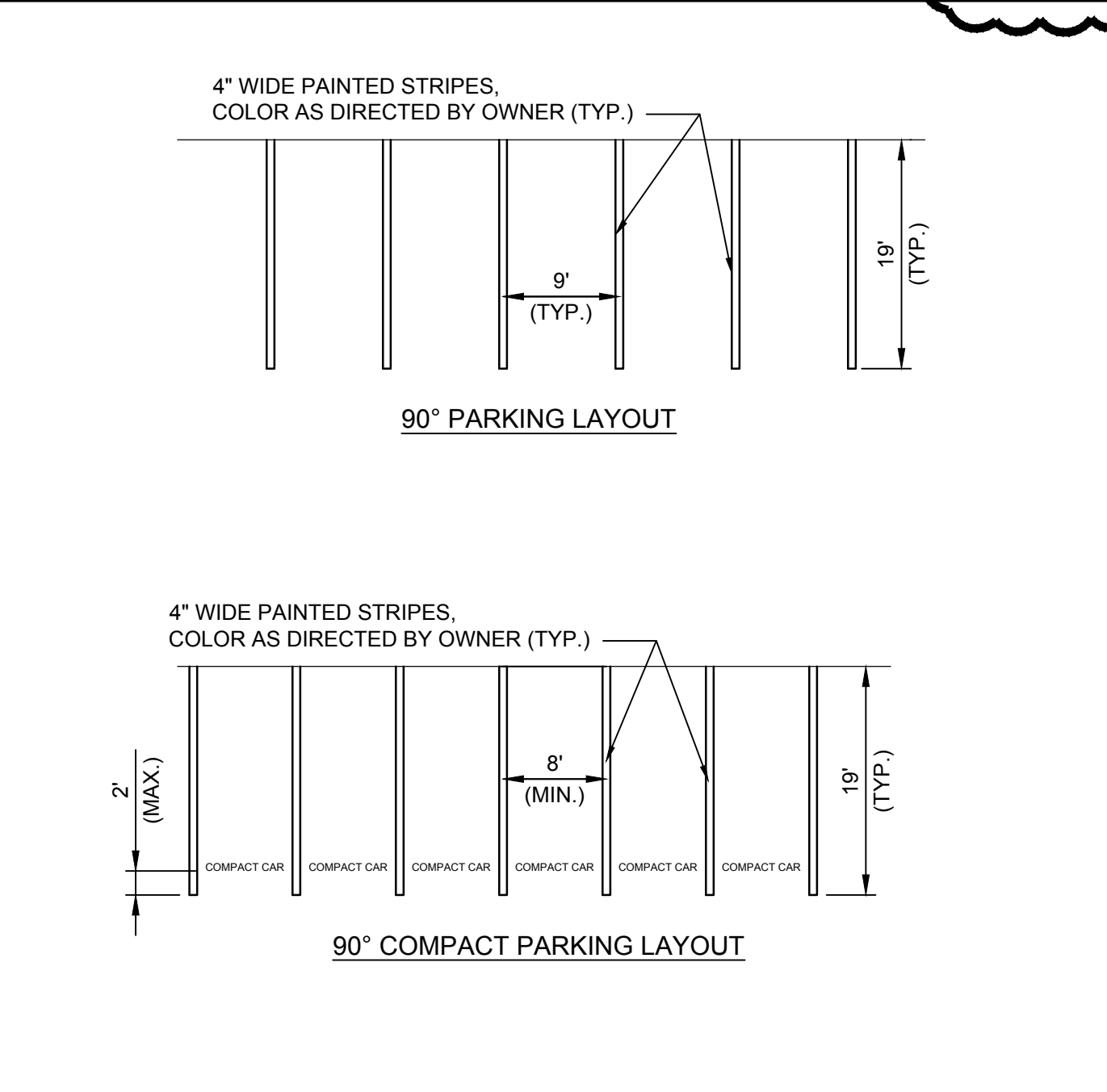
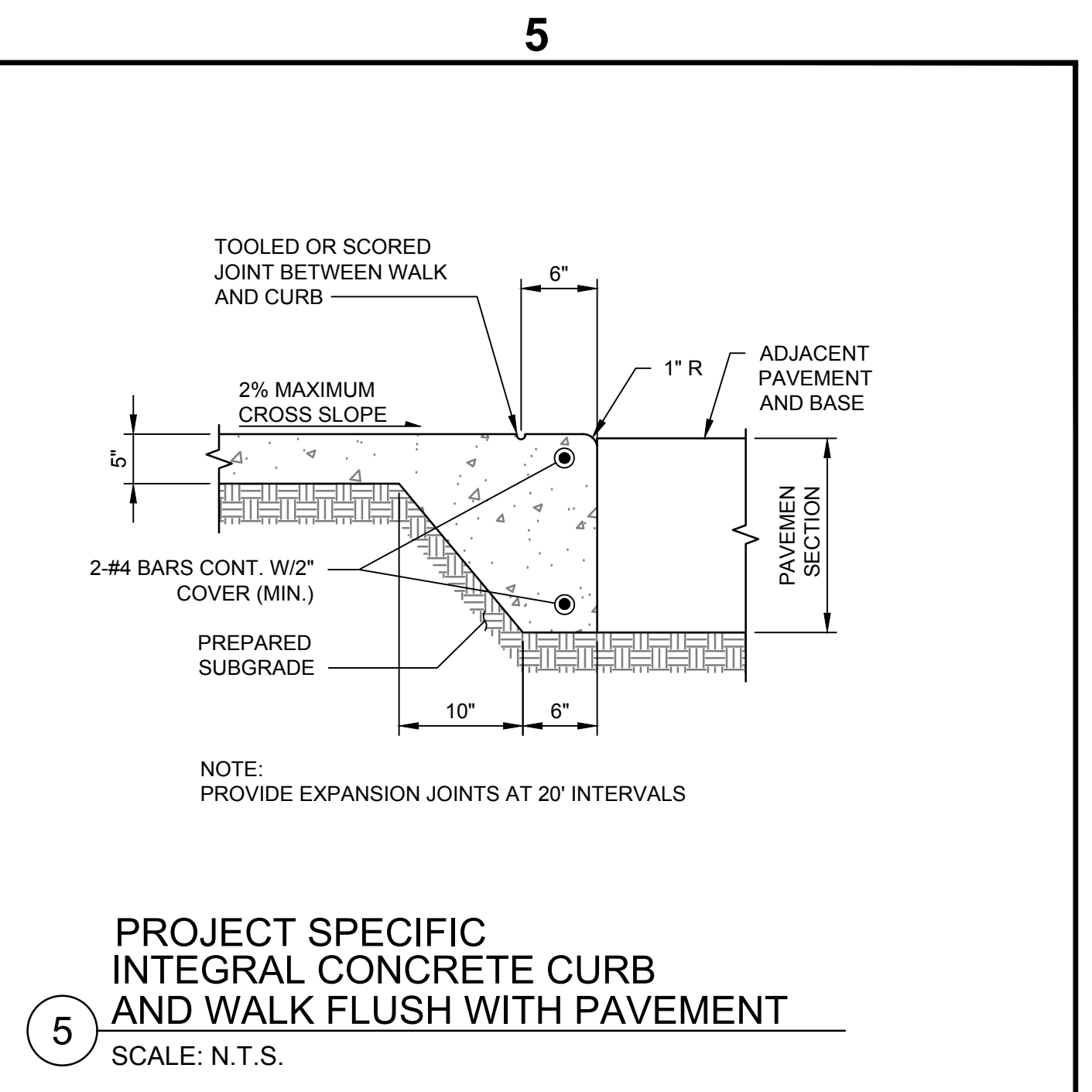
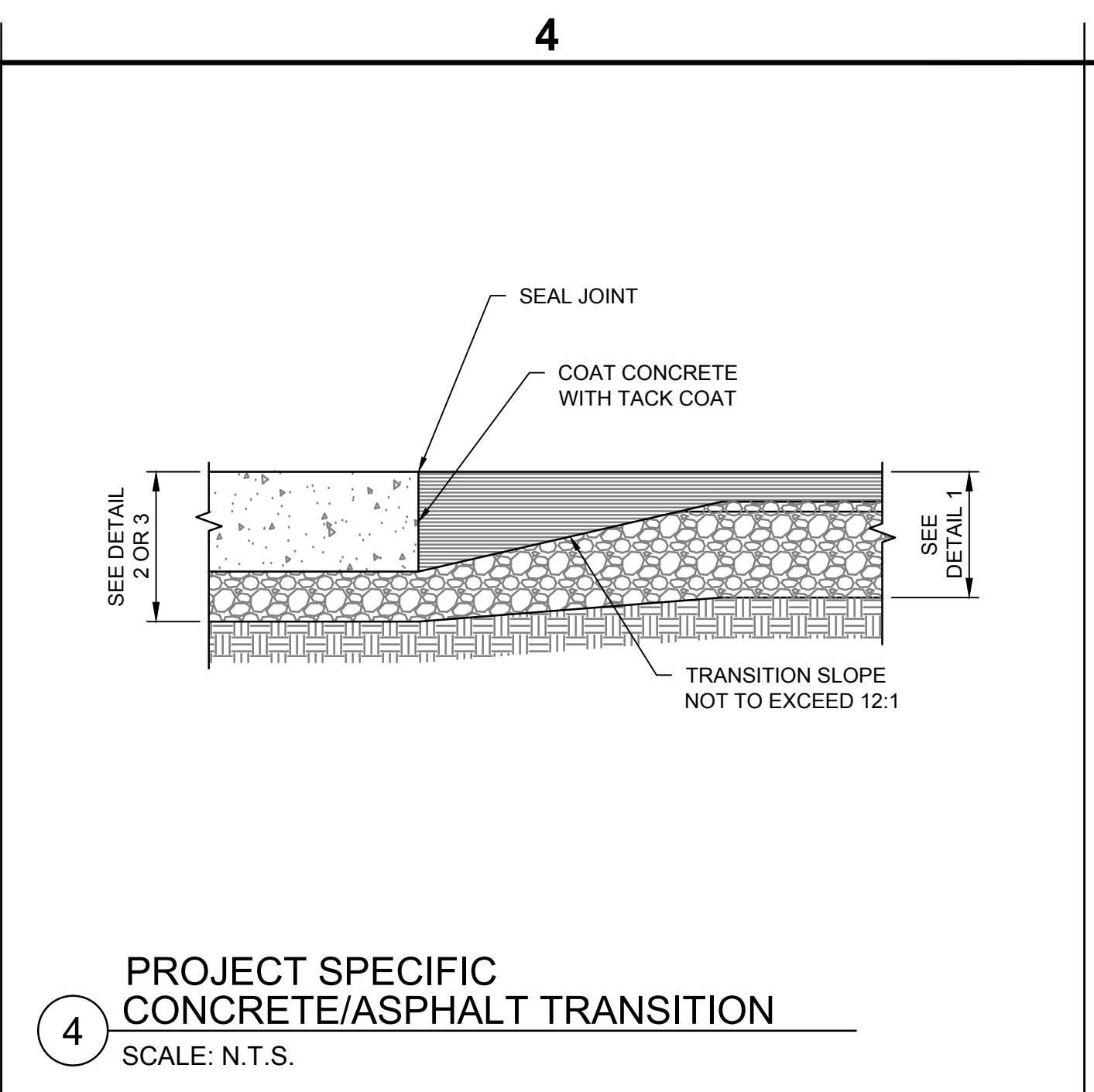
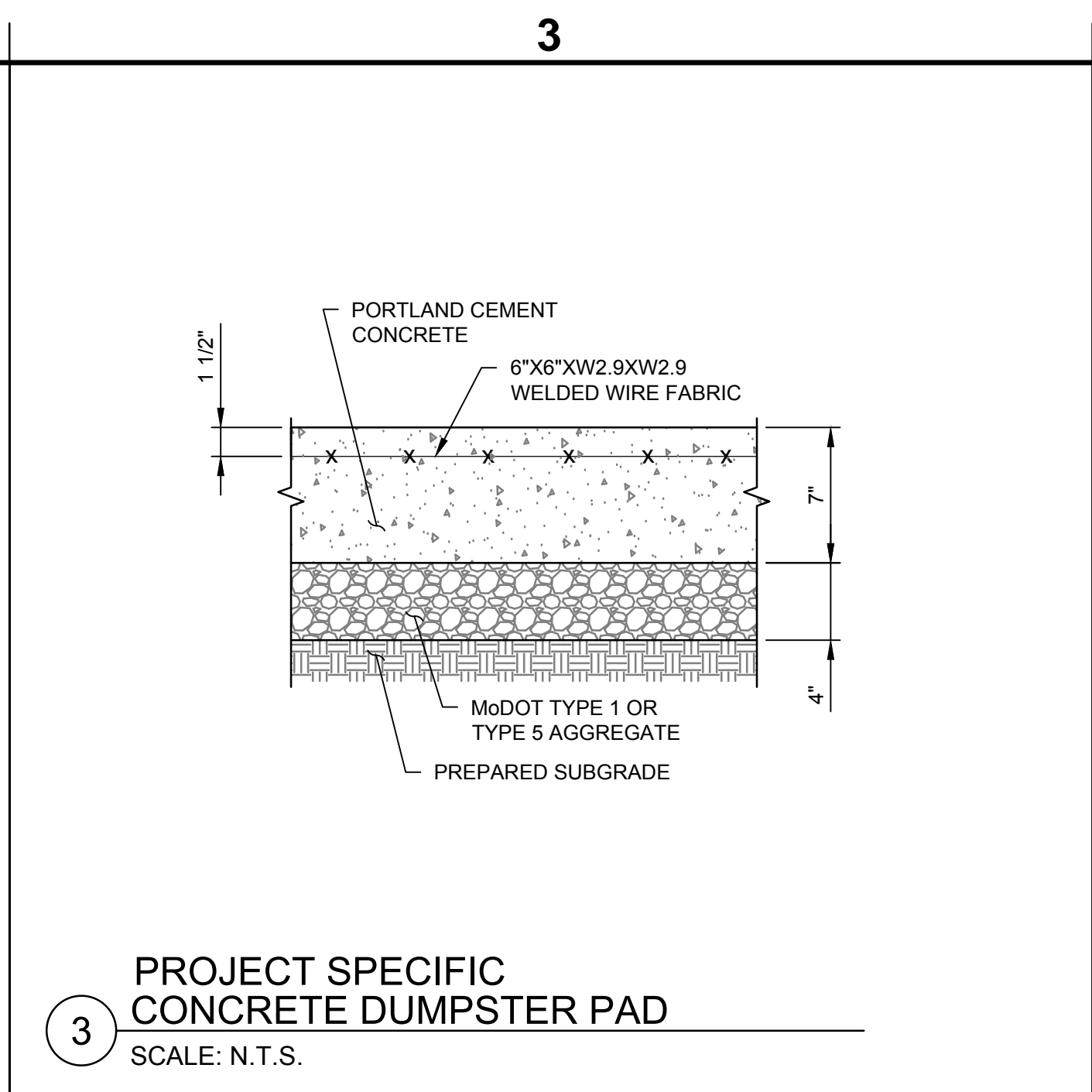
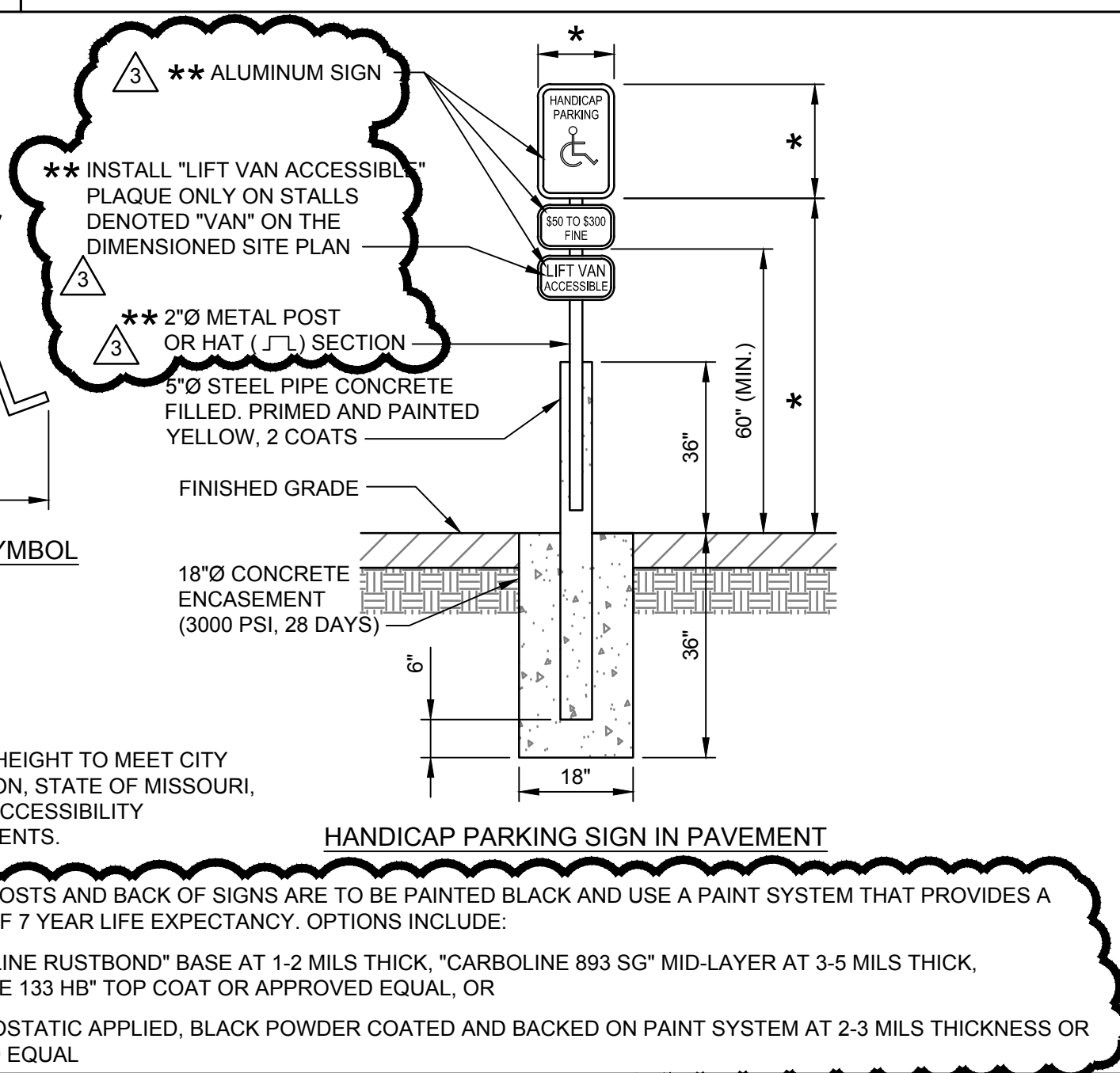
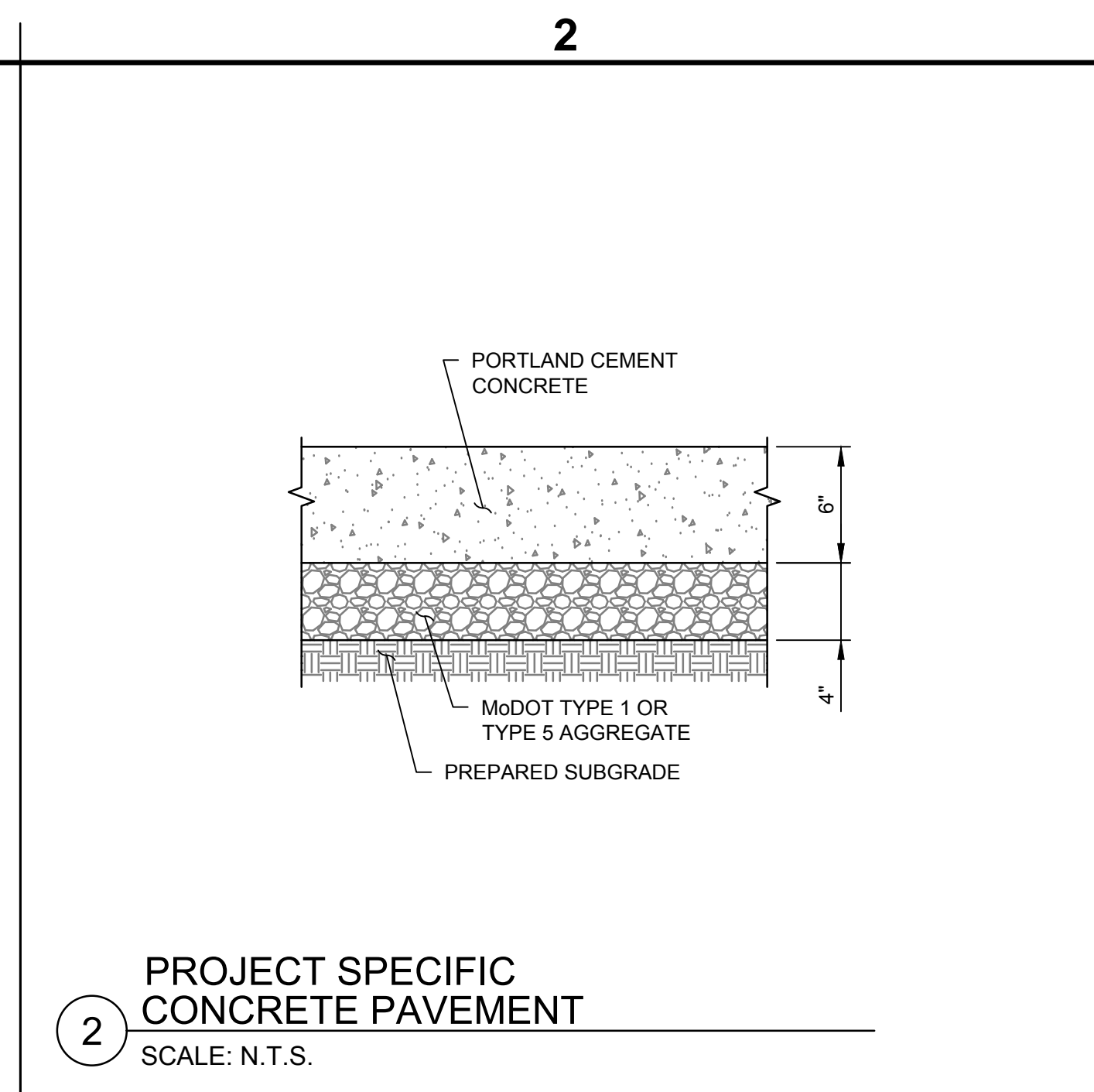
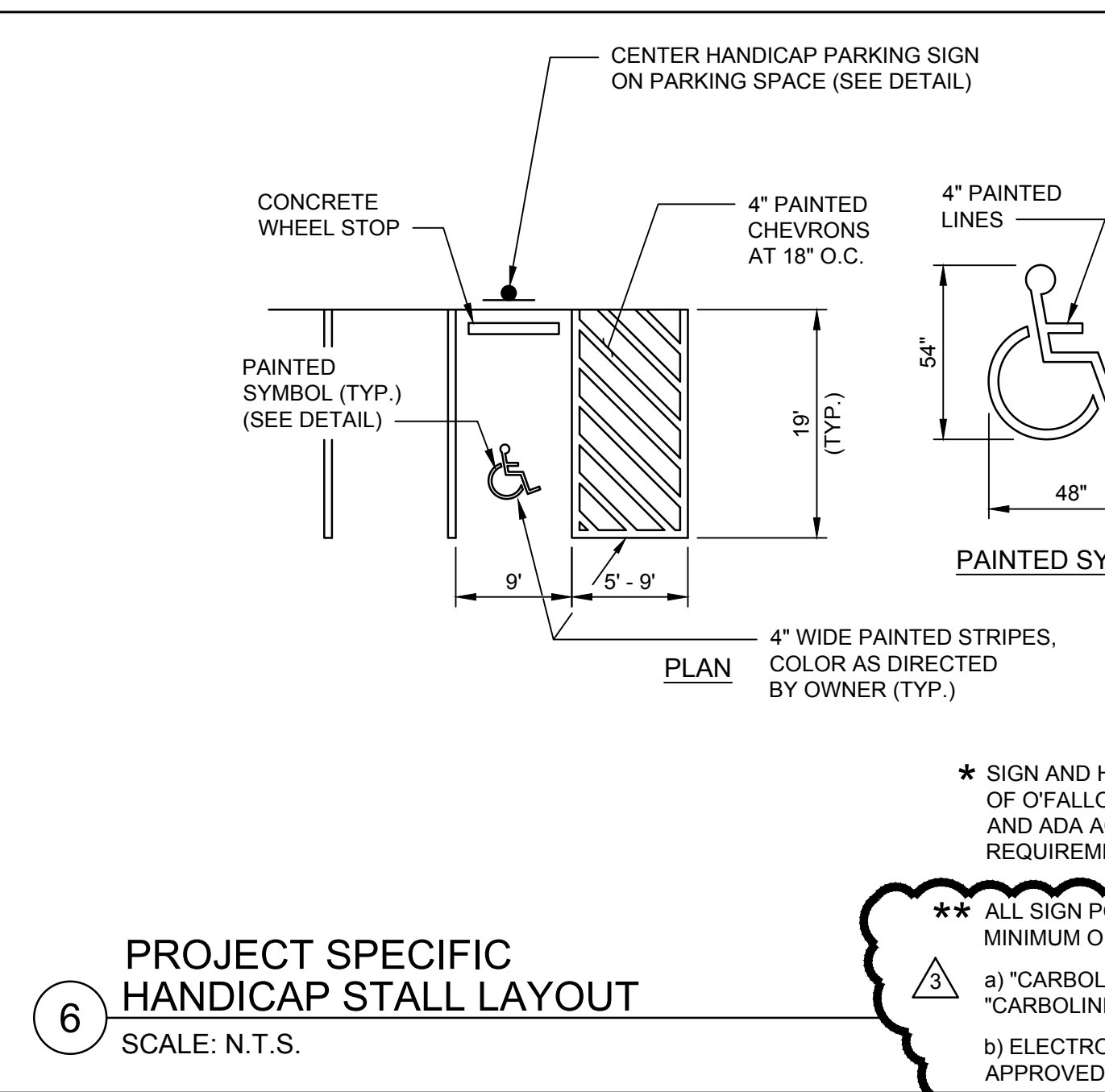
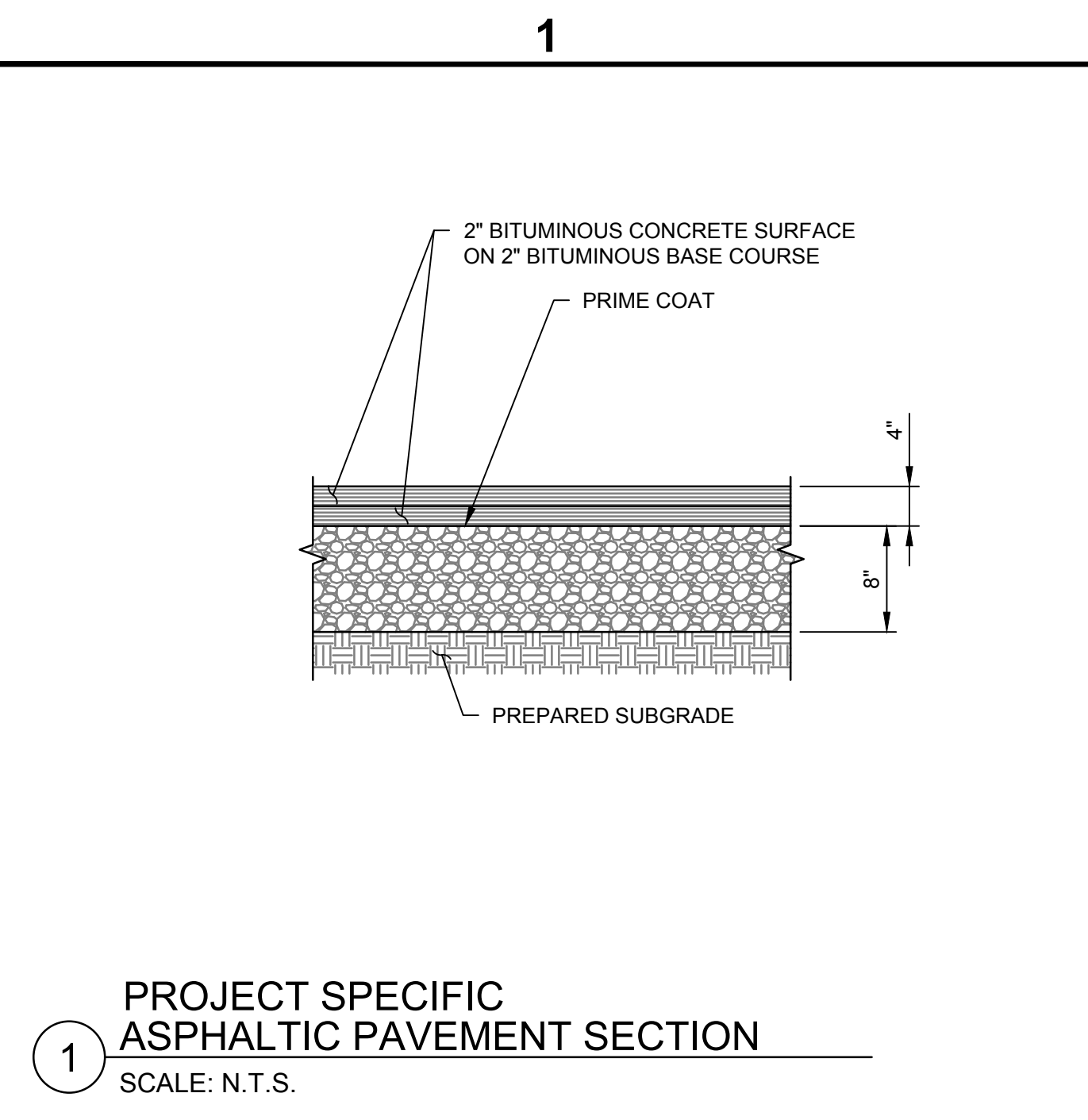


K:\FALLON\MOM\01\01\04 SFS OF FALLON CIVIC PARK\08 CAD\07 CIVIL\01 - CIVIL SITE DETAILS.DWG
© 2017 1:43:32 PM



sfs architecture
 2100 Central St. Suite 317, Kansas City, MO 64108
 P: 816.454.8898 F: 816.454.8280 kdg@sfsarch.com

KdG
 Kuhlmann design Group, Inc.
 66 Progress Parkway, St. Louis, Missouri 63043
 T: 314.434.8898 F: 314.434.8280 kdgpc.com

ANTHONY JAMES GIRONDO III
 PE-200431087
 PROFESSIONAL ENGINEER

CIVIC PARK IMPROVEMENTS
 O'Fallon Parks and Rec
 Civic Park, O'Fallon,
 Missouri

MARK	DATE	DESCRIPTION
1	8/15/2017	ADDENDUM #3

SFS PROJECT NO: 1682
 ISSUED FOR: CONSTRUCTION DOCUMENTS
 ISSUE DATE: 07/27/2017
 © 2017 SFS ARCHITECTURE

CIVIL SITE
 DETAILS
C4-01