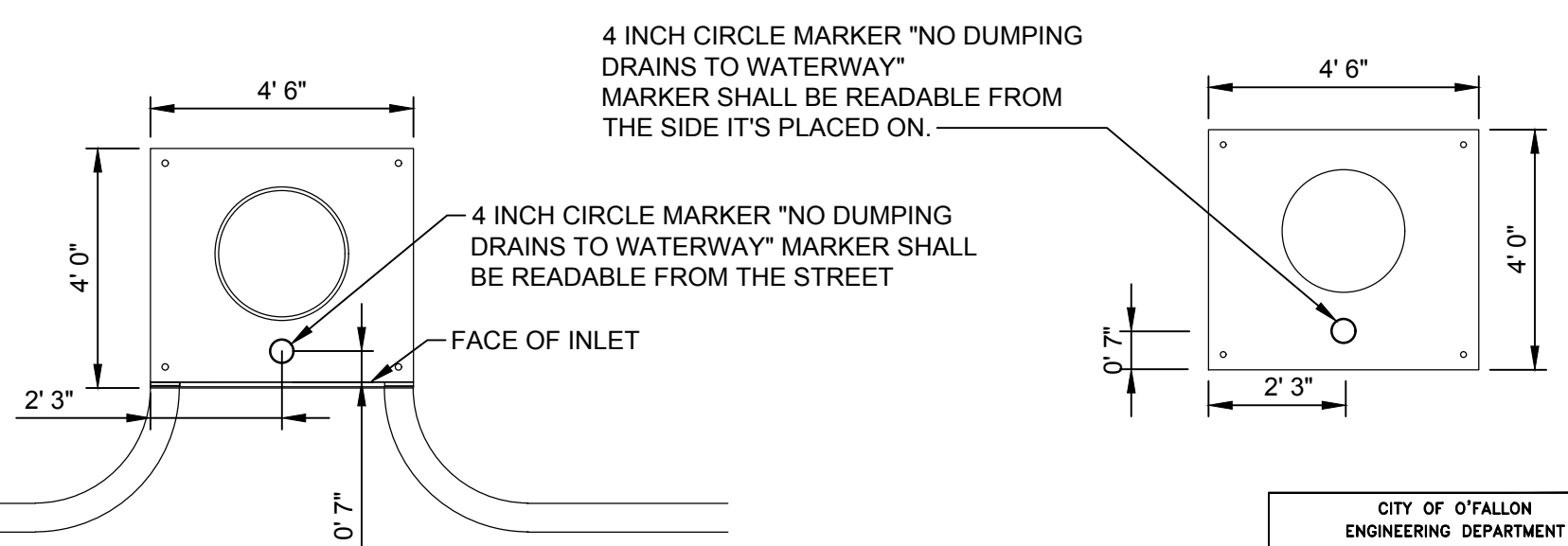


\* THE CITY OF OFALLON MUST BE PROVIDED WITH A SYMBOL/MEDALLION FOR REVIEW AND APPROVAL PRIOR TO INSTALLATION. CONTACT THE CITY IF ANY INFORMATION IS NEEDED.

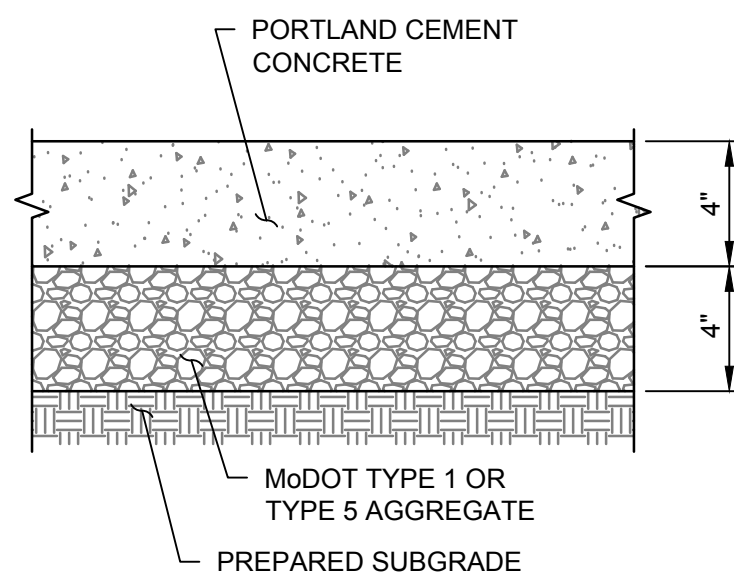
SIZE	STYLE	ADHESIVE	MESSAGE (PART #)
3 7/8" TO 4"	CRYSTAL CAP OR STANDARD STYLE	EPOXY	NO DUMPING DRAINS TO WATERWAY



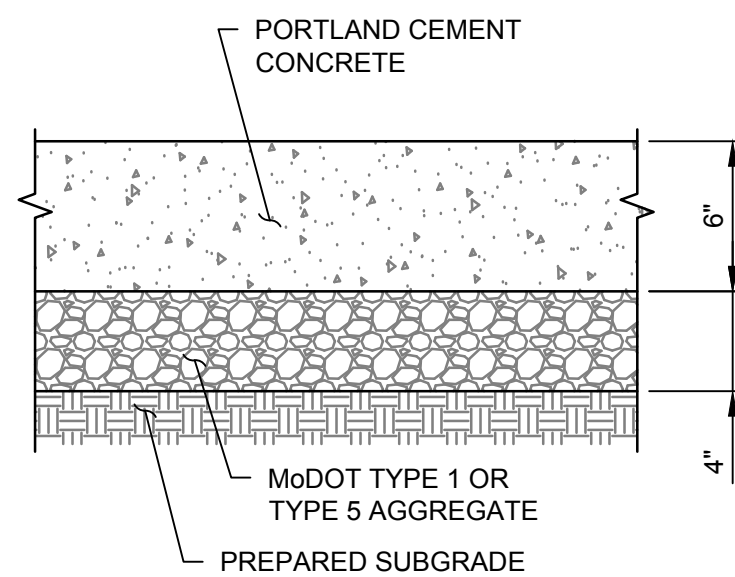
PLAN VIEW OF CURB INLET

PLAN VIEW OF AREA INLET

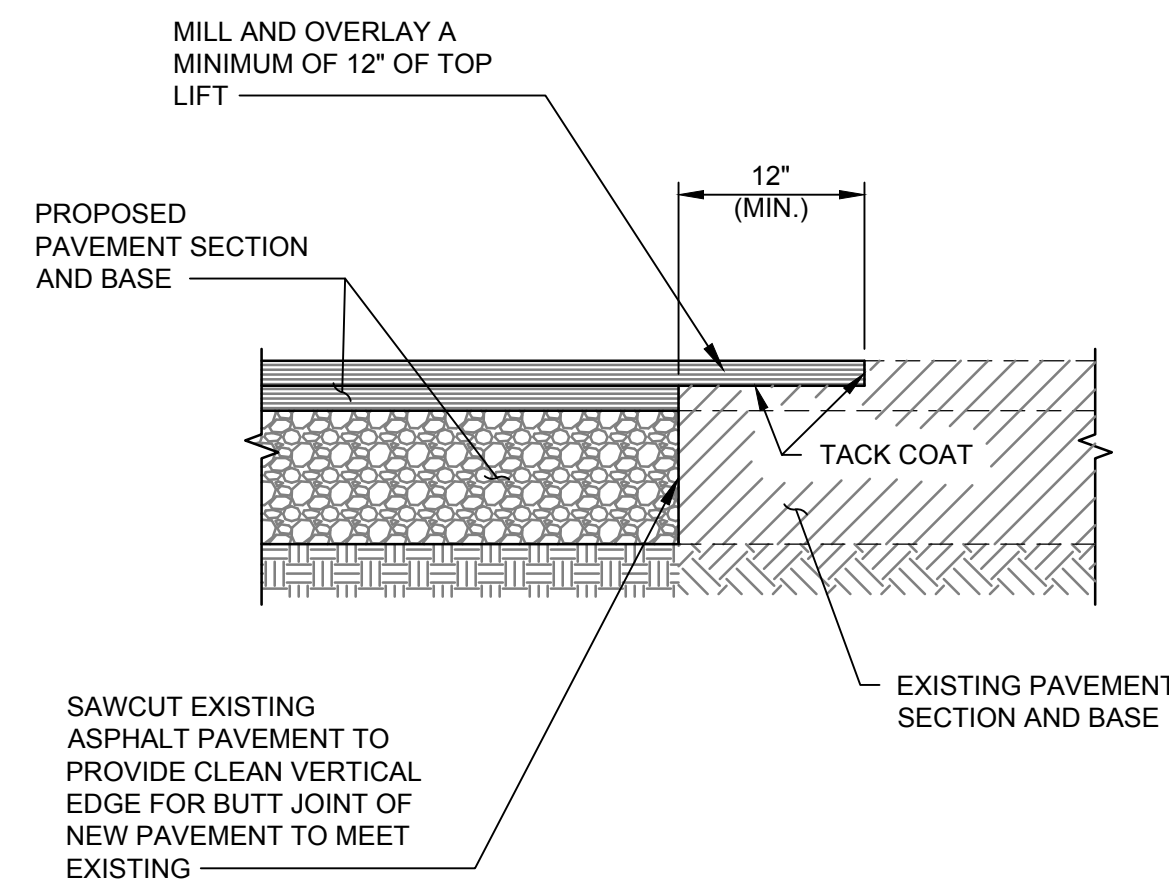
CITY OF OFALLON  
ENGINEERING DEPARTMENT  
OFALLON, MISSOURI  
STORM DRAIN  
MARKER LOCATION



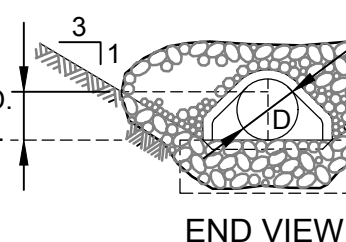
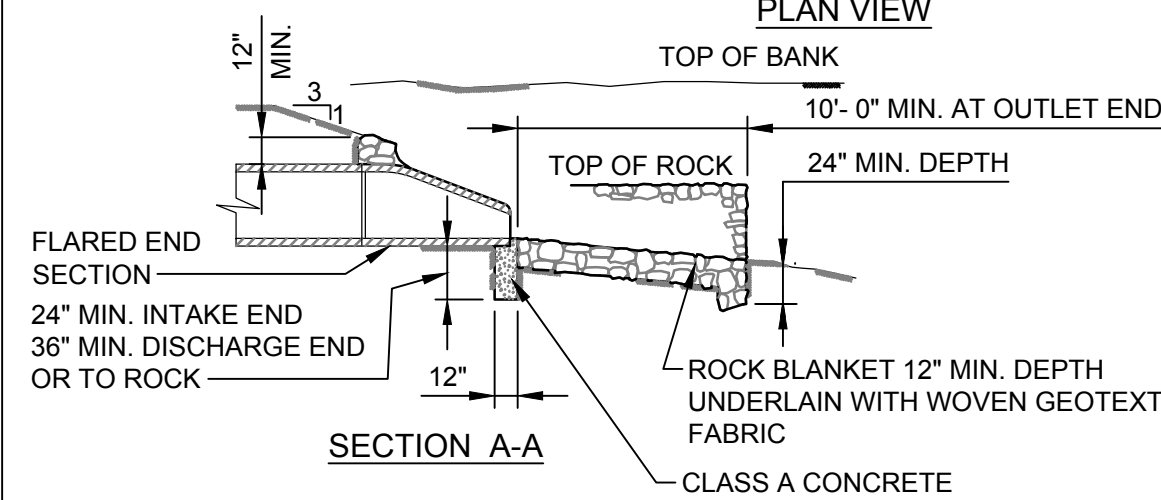
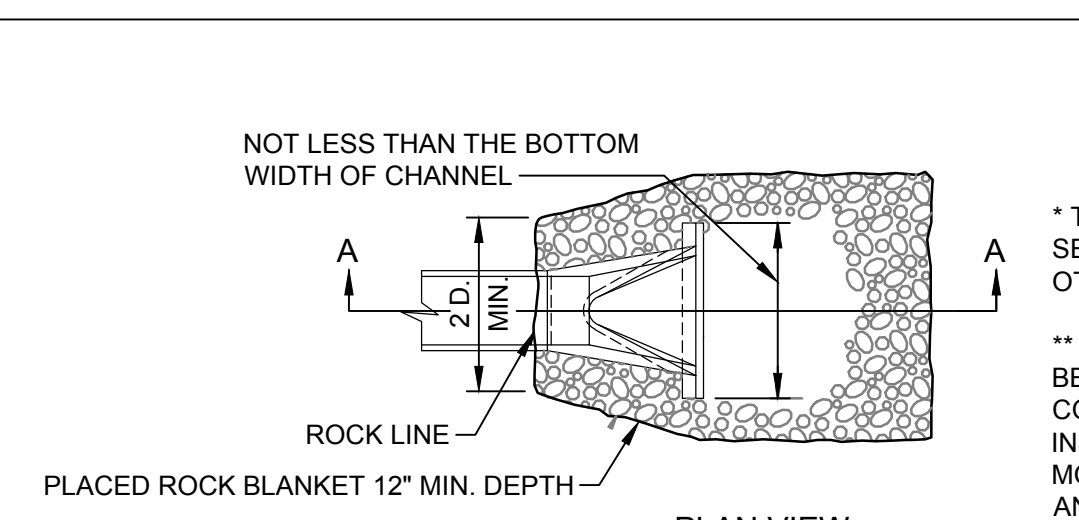
PROJECT SPECIFIC  
CONCRETE POOL DECK  
SCALE: N.T.S.



PROJECT SPECIFIC  
CONCRETE PAVILION SLAB  
SCALE: N.T.S.



PROJECT SPECIFIC  
ASPHALT BUTT JOINT  
SCALE: N.T.S.



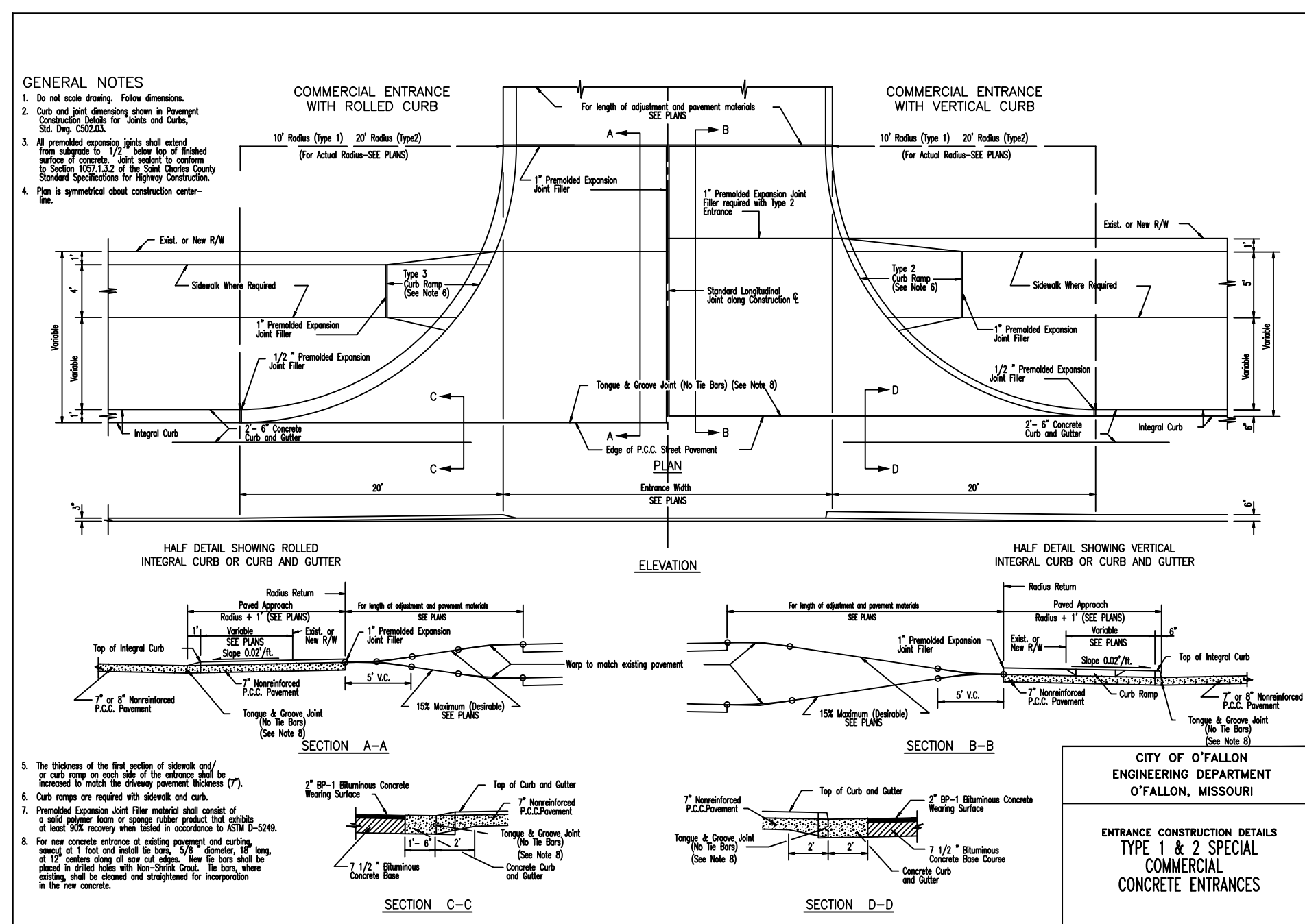
\* THE DISCHARGE POINT OF ALL FLARED END SECTIONS SHALL BE PROTECTED BY RIP RAP OR OTHER APPROVED MEANS.

\*\* RIP RAP SHOWN AT FLARED END SECTIONS WILL BE EVALUATED IN THE FIELD BY THE ENGINEER, CONTRACTOR, AND CITY INSPECTORS AFTER INSTALLATION FOR EFFECTIVENESS AND FIELD MODIFIED, IF NECESSARY TO REDUCE EROSION ON AND OFF SITE.

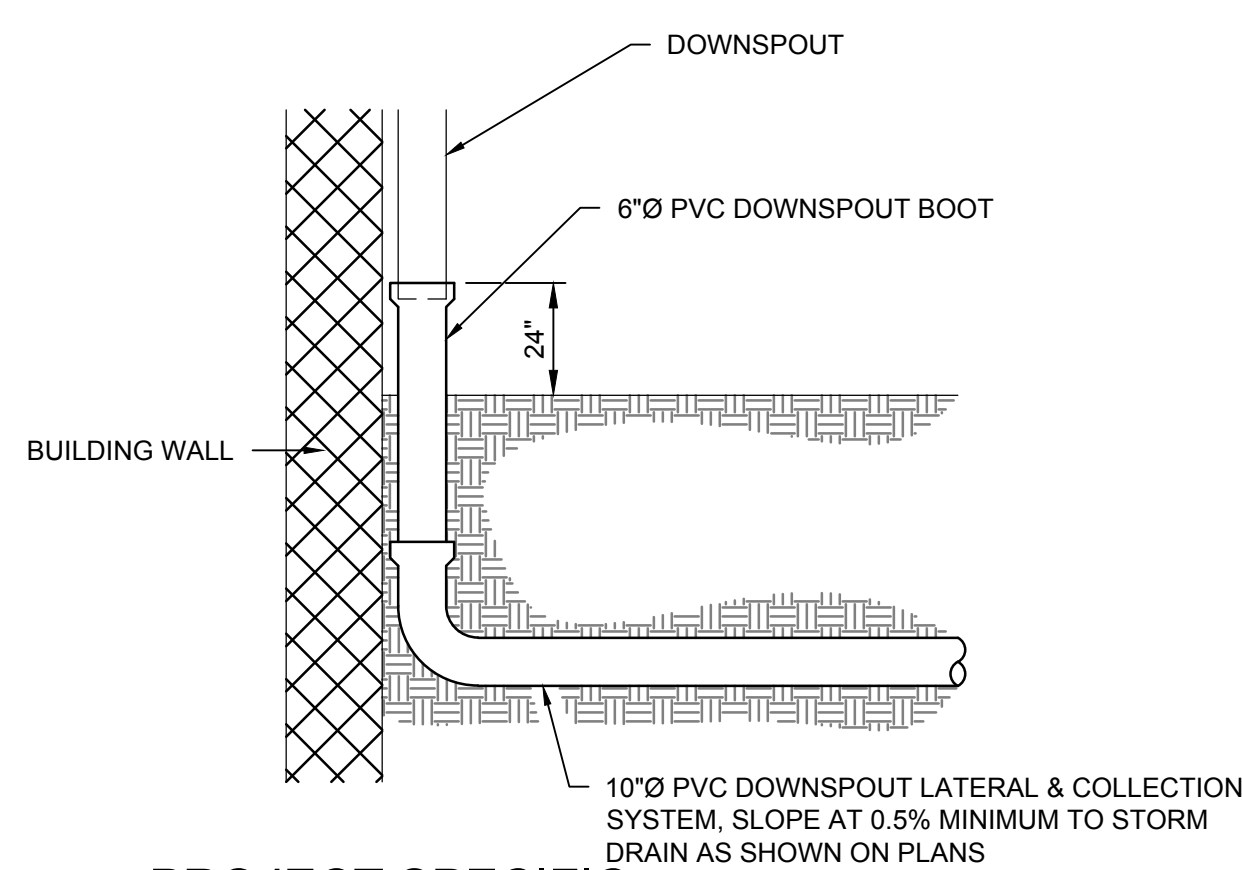
SIEVE	MAXIMUM	MINIMUM
12 INCH	90	70
8 INCH	30	10
1/2 INCH	5	0

- NOTE:
- DISCHARGE END OF PIPE, GRADE OF ROCK BLANKET TO BE ADJUSTED ACCORDINGLY.
  - WOVEN GEOTEXTILE FABRIC REQUIRED UNDER ROCK BLANKET.

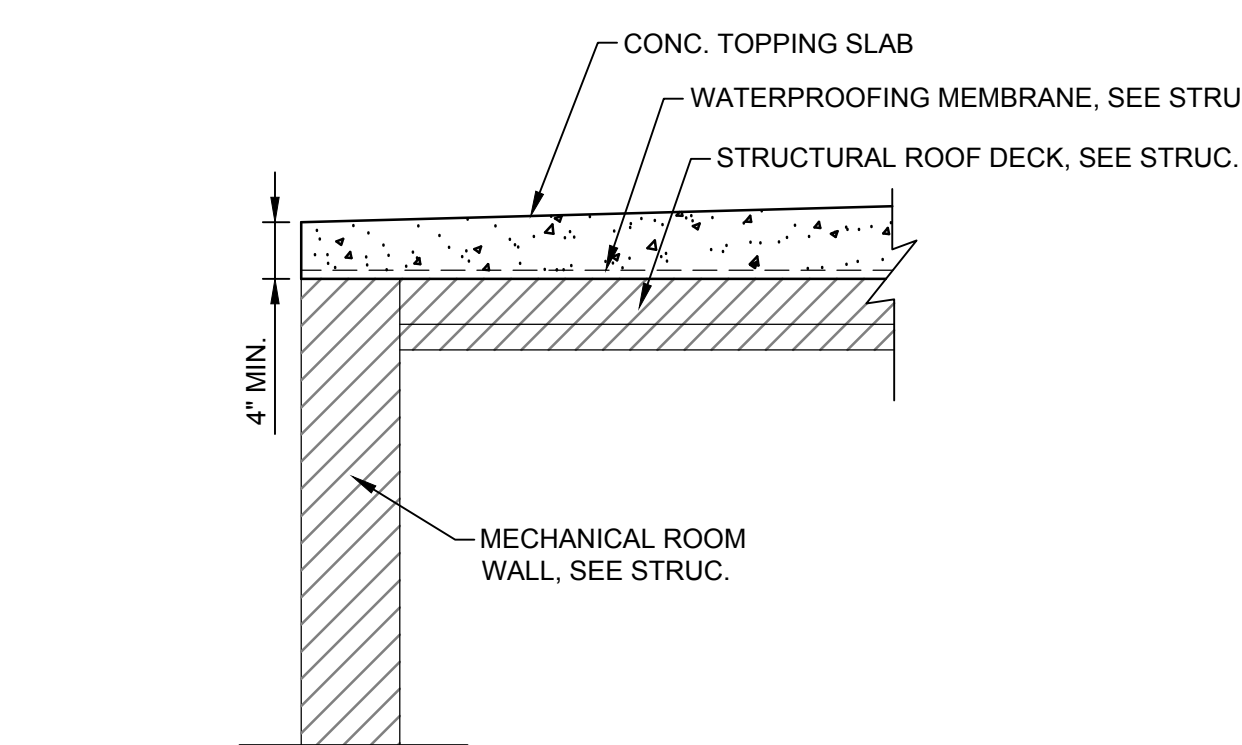
CITY OF OFALLON  
ENGINEERING DEPARTMENT  
OFALLON, MISSOURI  
SPECIAL CONSTRUCTION DETAILS  
FLARED END SECTION  
(INLET/OUTLET PROTECTION)



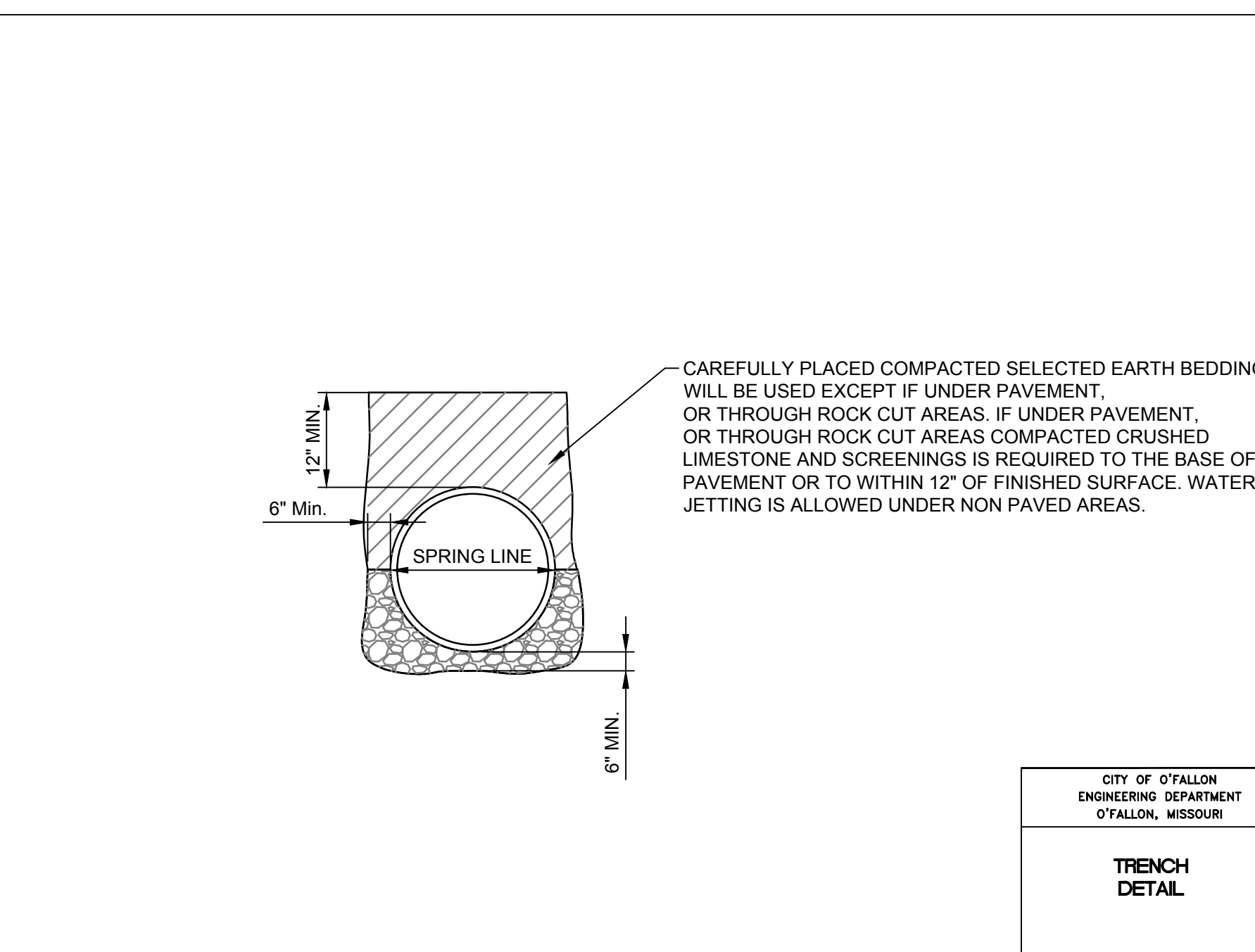
CITY OF OFALLON  
ENGINEERING DEPARTMENT  
OFALLON, MISSOURI  
ENTRANCE CONSTRUCTION DETAILS  
TYPE 1 & 2 SPECIAL  
CONCRETE ENTRANCES



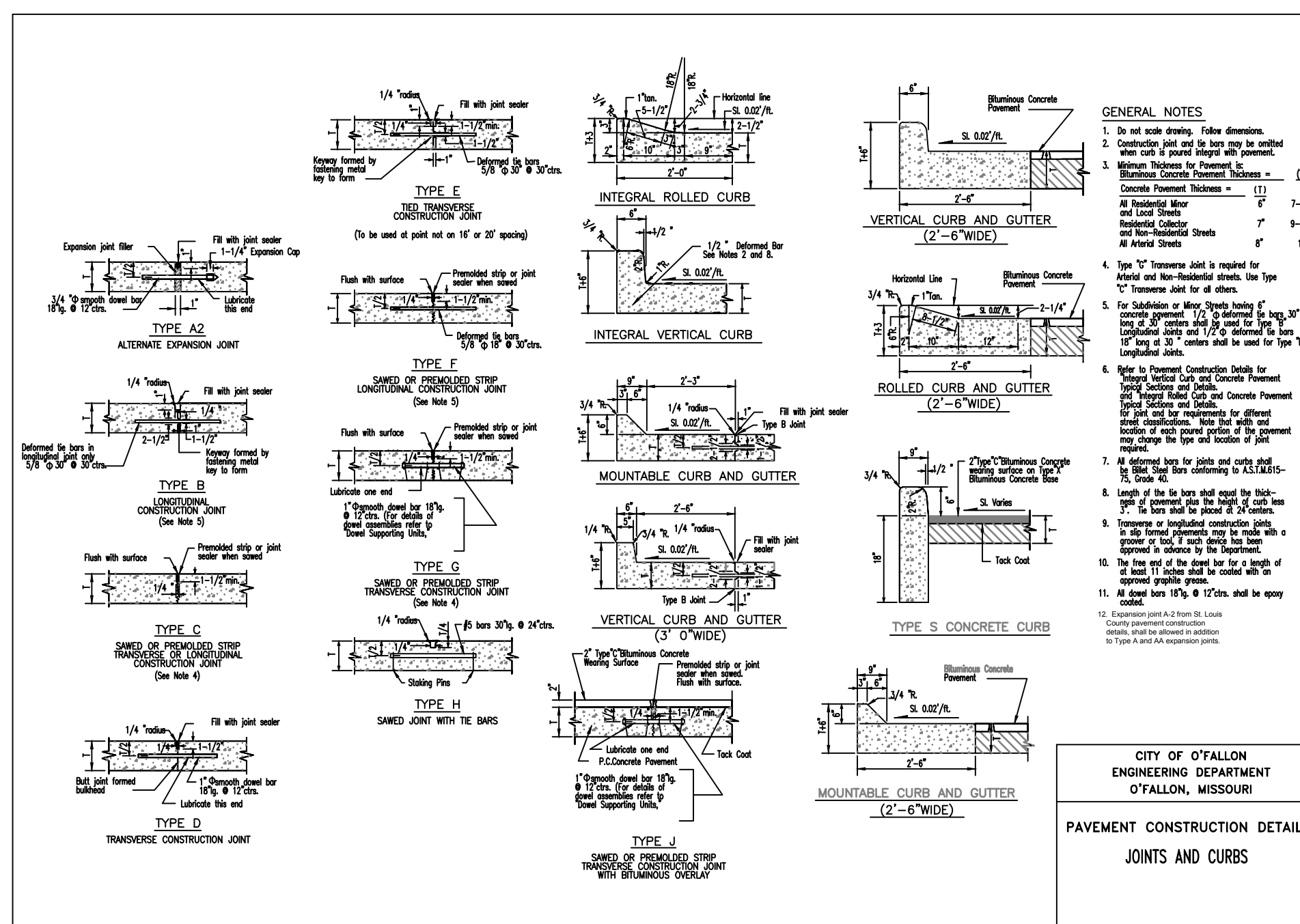
PROJECT SPECIFIC  
DOWNSPOUT COLLECTOR  
SCALE: N.T.S.



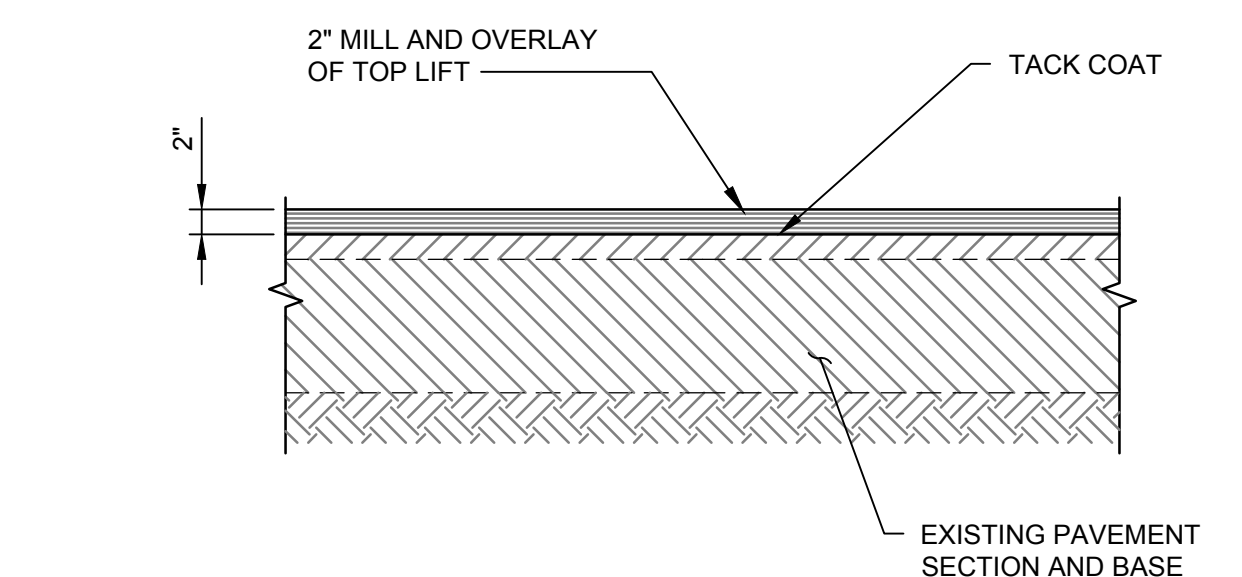
PROJECT SPECIFIC  
TOPPING SLAB  
SCALE: N.T.S.



CITY OF OFALLON  
ENGINEERING DEPARTMENT  
OFALLON, MISSOURI  
TRENCH  
DETAIL



CITY OF OFALLON  
ENGINEERING DEPARTMENT  
OFALLON, MISSOURI  
PAVEMENT CONSTRUCTION DETAILS  
JOINTS AND CURBS



PROJECT SPECIFIC  
ASPHALT MILL AND OVERLAY  
SCALE: N.T.S.

MARK	DATE	DESCRIPTION