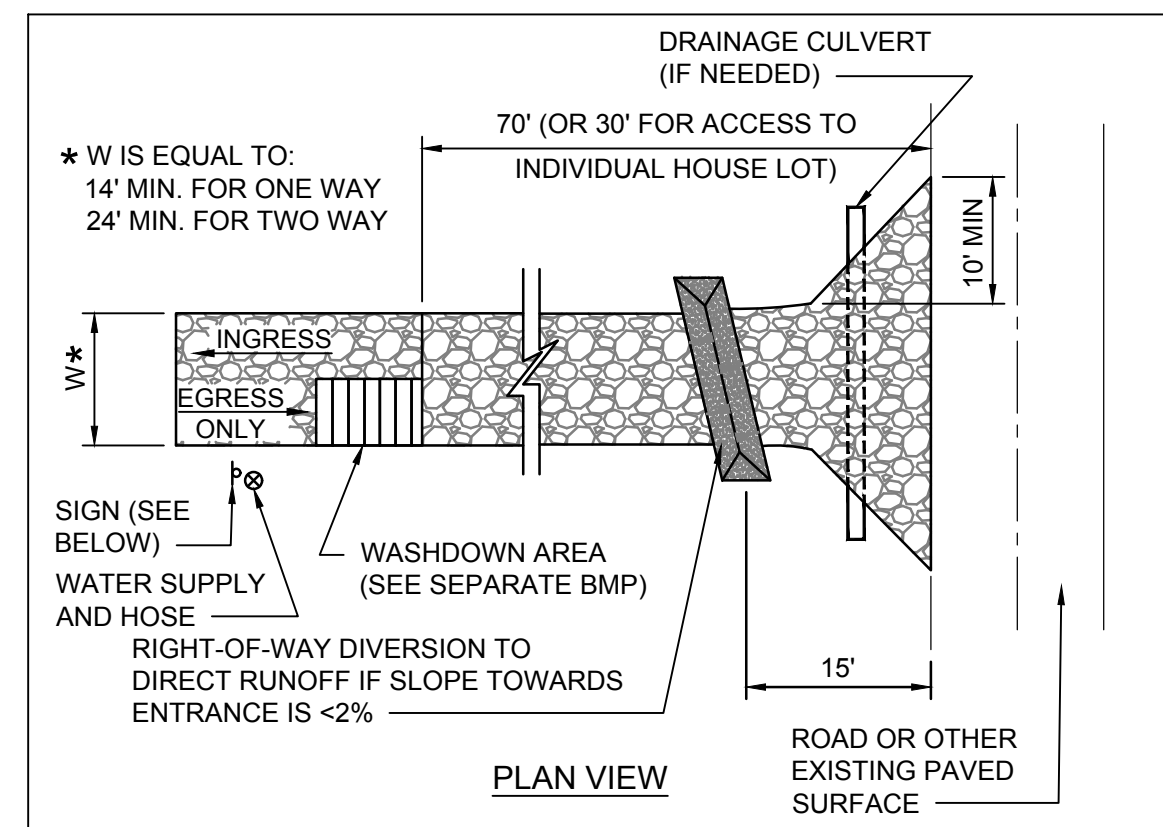
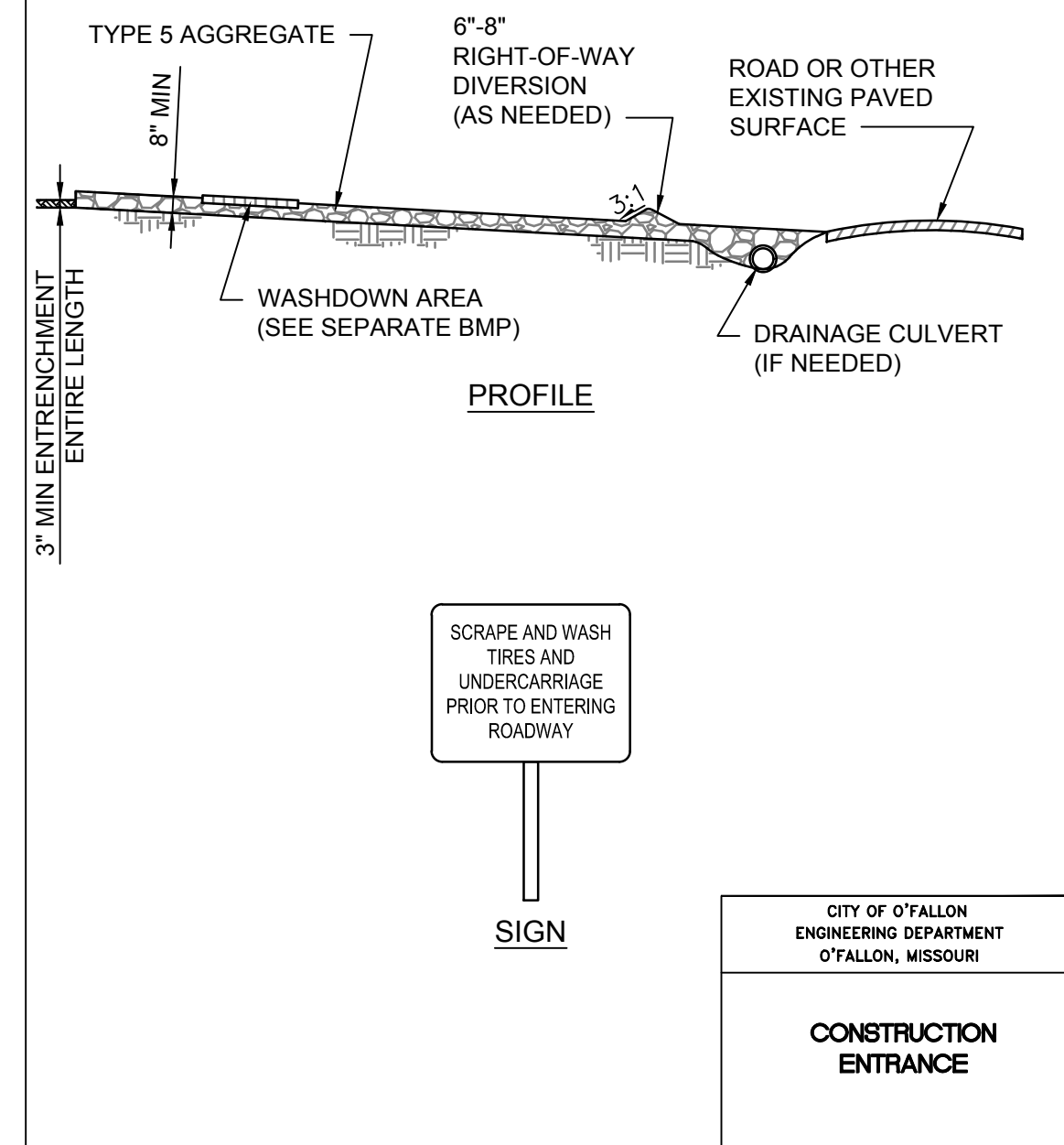


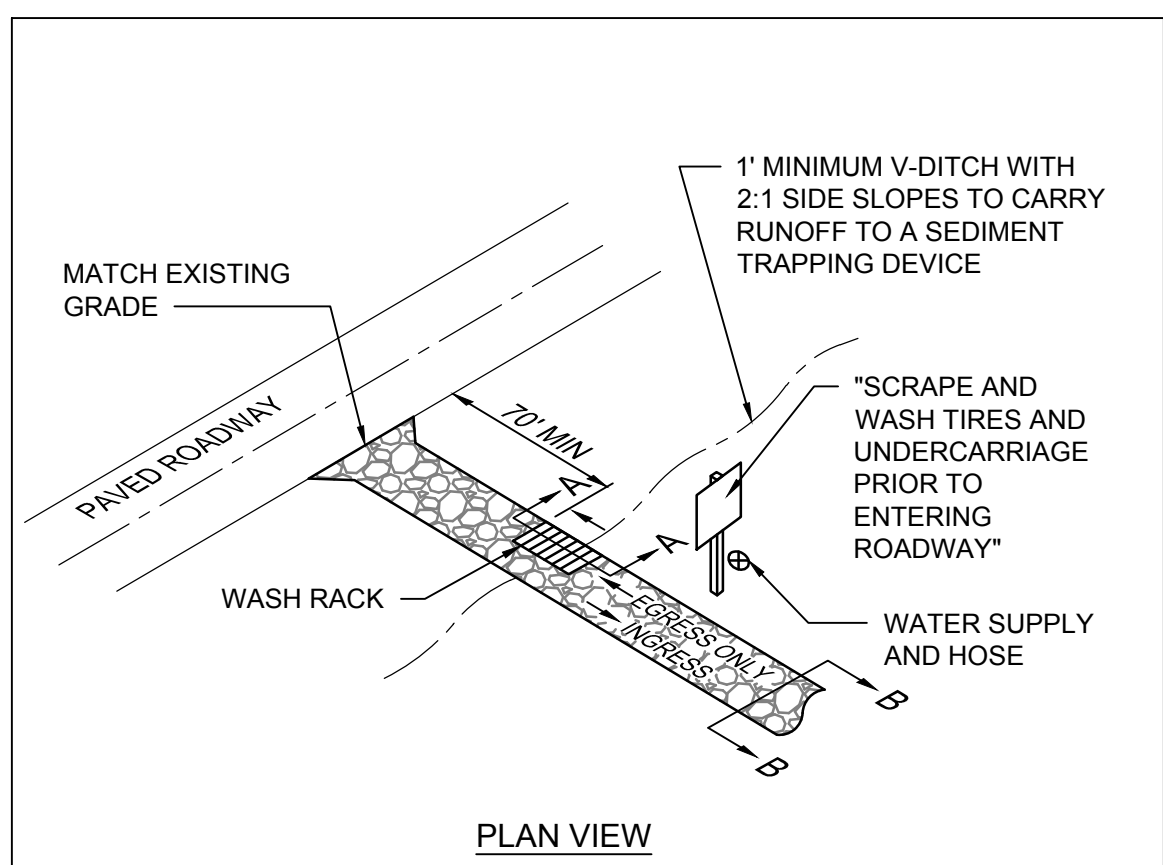
D



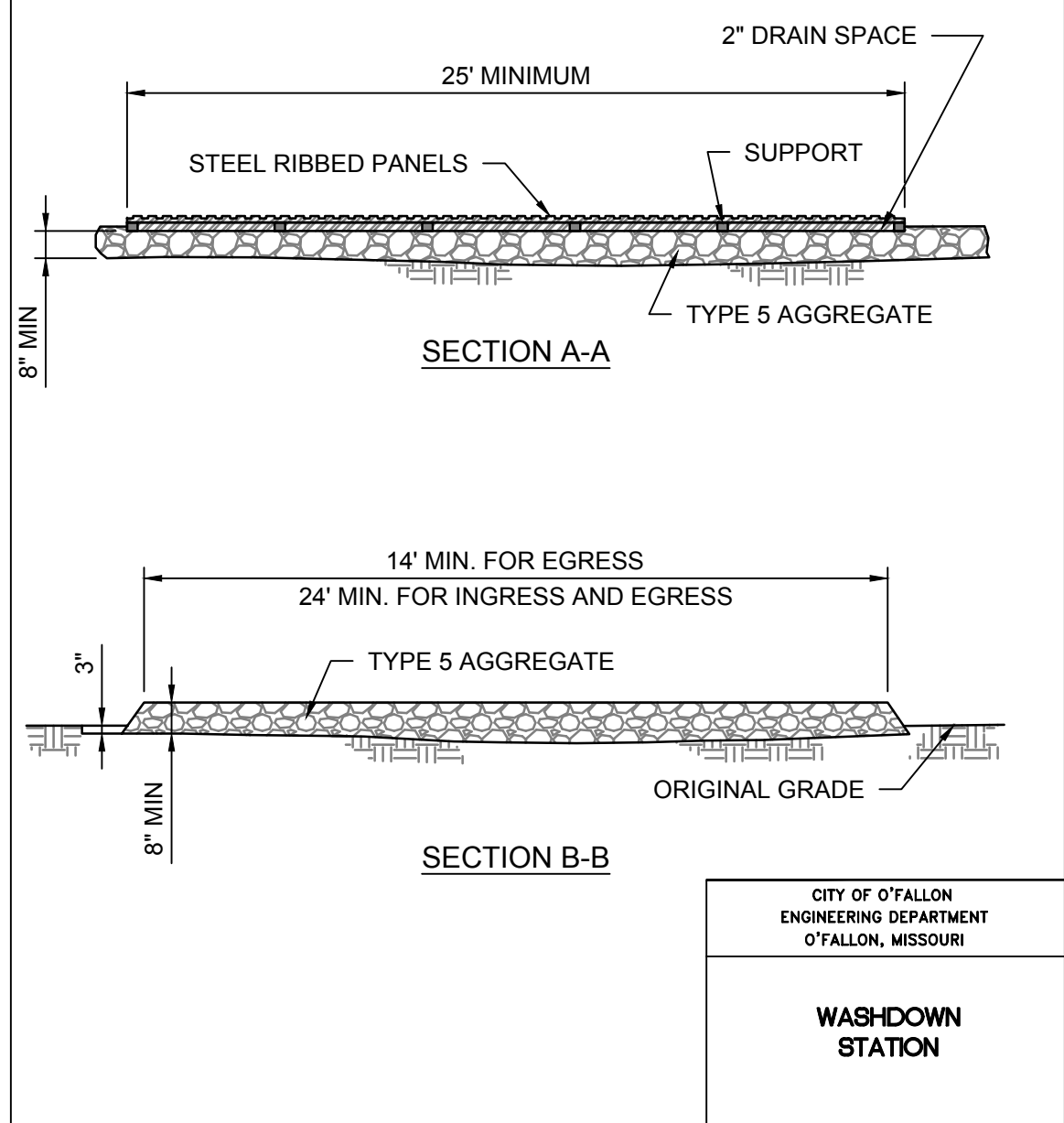
C



B

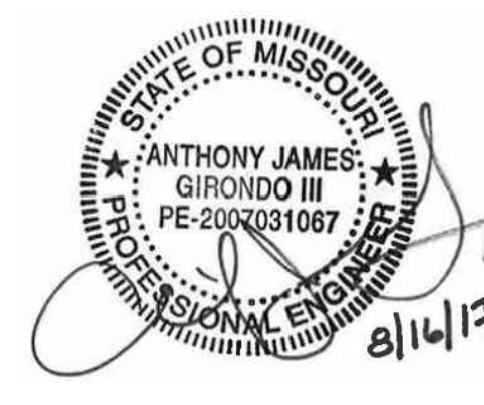
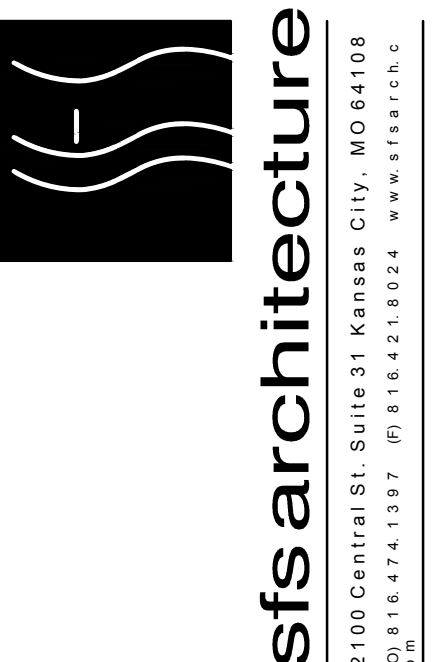


A



7 CITY OF OFALLON EROSION CONTROL DETAILS
SCALE: N.T.S.

K:\OFALLON\MO\MO160194_SFS OFALLON CIVIC PARK\08 CAD\07 CIVIL\SHETS\941_C5-06_C5-06_SWPPP DETAILS.DWG
 © 2017 1:48:04 PM



CIVIC PARK IMPROVEMENTS

O'Fallon Parks and Rec
Civic Park, O'Fallon,
Missouri

MARK	DATE	DESCRIPTION

SFS PROJECT NO: 1682
ISSUED FOR: CONSTRUCTION DOCUMENTS
ISSUE DATE: 07/27/2017
© 2017 SFS ARCHITECTURE

SWPPP
DETAILS
C5-06