

PIPE I.D. NOMINAL INCHES	SINGLE STREET INLET CIRCULAR BASE DIA.	RECTANGLE (MAX.)
12"	48"	41"
15"	51"	44"
18"	55"	48"
21"	58"	51"
24"	61"	54"
27"		81" N/A
30"		85" N/A
33"		88" N/A

STANDARD MANHOLE FRAME AND STEEL COVER (OR INLET TOP SECTION)

ADJUST TO GRADE WITH APPROVED GRADE RING

PROVIDE ADAPTOR RING WITH 42 INCH TOP OPENING DIAMETER FOR INLET STRUCTURES

PROVIDE AND ADJUST RISER SECTIONS SO THAT PIPE INLET DOES NOT EXTEND THROUGH STRUCTURE JOINT.

RUBBER GASKET JOINT OR APPROVED EQUAL

PRECAST RISER SECTION

SHAFT STEPS UNIFORMLY SPACED AT 16" CTRS. NOT OVER TOP OF PIPES. EXTEND 5/2" FROM WALL

PRECAST MANHOLE BASE

FOR DROP PIPE, FACTORY CAST OPENING AS REQUIRED APPROVED COMPRESSION TYPE JOINT

CONCENTRIC PRECAST CONICAL TOP SECTION, MANHOLES 42-48 INCHES

8" (TYP.)

18" (MAX.)

24" (MAX.)

DEFLECTION ANGLE AS REQUIRED

MANHOLE BASE PLAN

AREA OR REINFORCING STEEL = .12 IN./ LIN. FT.

APPROVED PATENTED COMPRESSION TYPE JOINT

ELEVATION

BASE SECTION

NOTES:

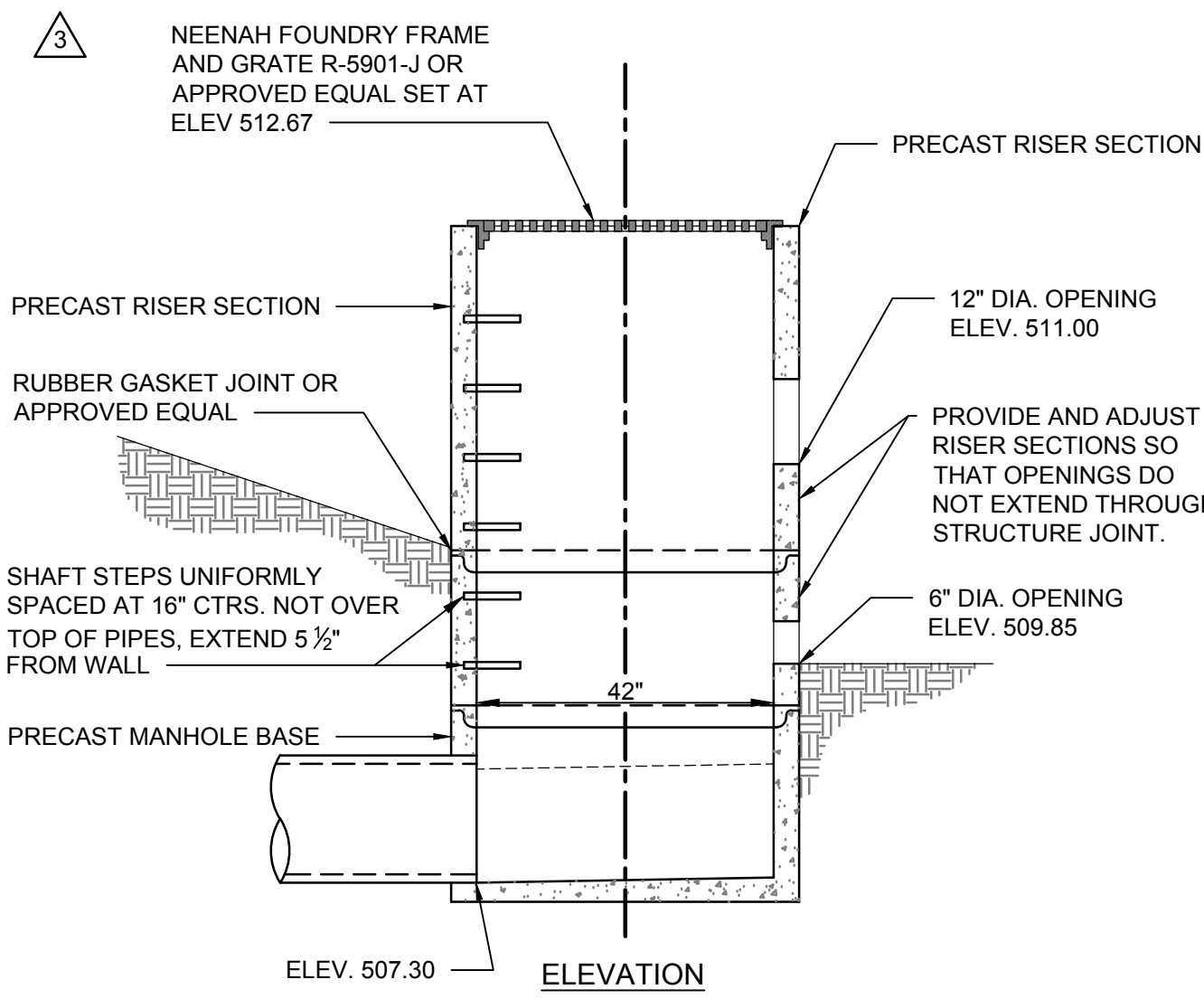
1. THE MINIMUM INSIDE DIAMETER FOR THE BASE AND RISER SECTIONS SHALL BE 42 INCHES FOR 8 INCH DIAMETER SANITARY SEWERS AND ALL STORM SEWERS. THE MINIMUM INSIDE DIAMETER FOR SANITARY SEWERS LARGER THAN 8 INCH DIAMETER IS 48 INCHES. MANHOLE SHALL MEET ASTM C-478 REQUIREMENTS.

2. FLOWLINE ELEVATION OF INCOMING PIPES SHALL BE 1" HIGHER THAN THAT OF OUTGOING PIPE.

3. PIPE SIZES LARGER THAN 24 INCH DIAMETER MAY REQUIRE MANHOLE DIAMETERS OF 60 INCH, 72 INCH OR 96 INCH AS DETERMINED BY OUTSIDE DIAMETERS AND ORIENTATIONS OF CONNECTING PIPES.

4. ECCENTRIC CONES SHALL BE USED ON DIAMETERS 60 INCH AND LARGER. STEPS SHALL EXTEND DOWN VERTICAL WALL OF CONE.

5. PRIOR TO FABRICATION, SHOP DRAWINGS SHALL BE SUBMITTED TO THE ENGINEER FOR APPROVAL OF STRUCTURES ON PIPE DIAMETERS LARGER THAN 24 INCH AND ALSO FOR THOSE STRUCTURES WITH A DROP PIPE CONNECTION.



PROJECT SPECIFIC OUTLET STRUCTURE

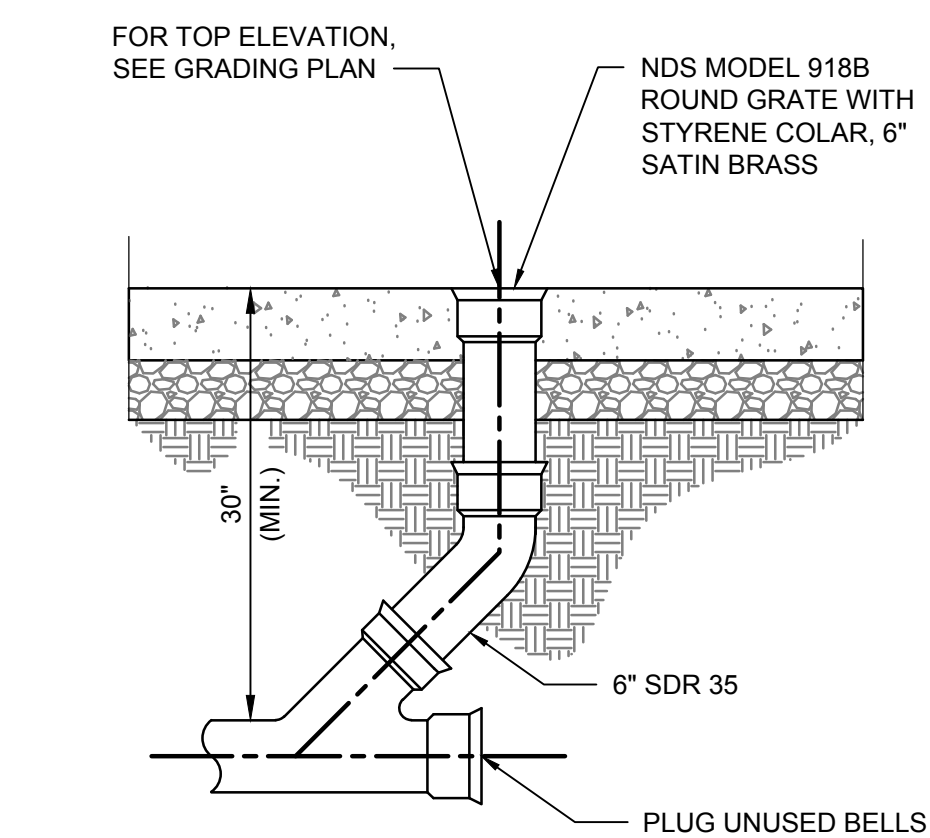
SCALE: N.T.S.

PROJECT SPECIFIC PRECAST CONCRETE SINGLE CURB INLETS

SCALE: N.T.S.

PROJECT SPECIFIC PRECAST CONCRETE MANHOLE

SCALE: N.T.S.

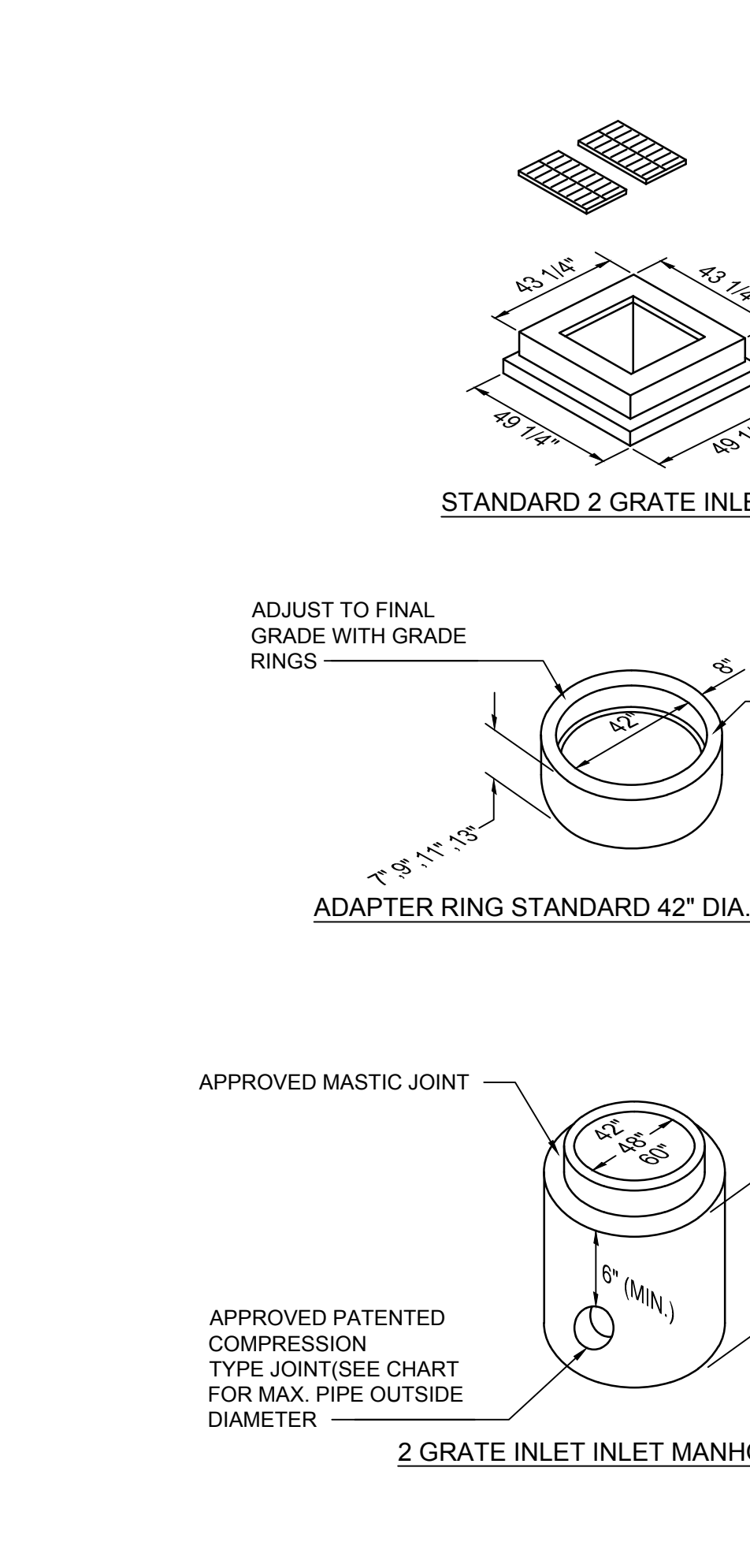
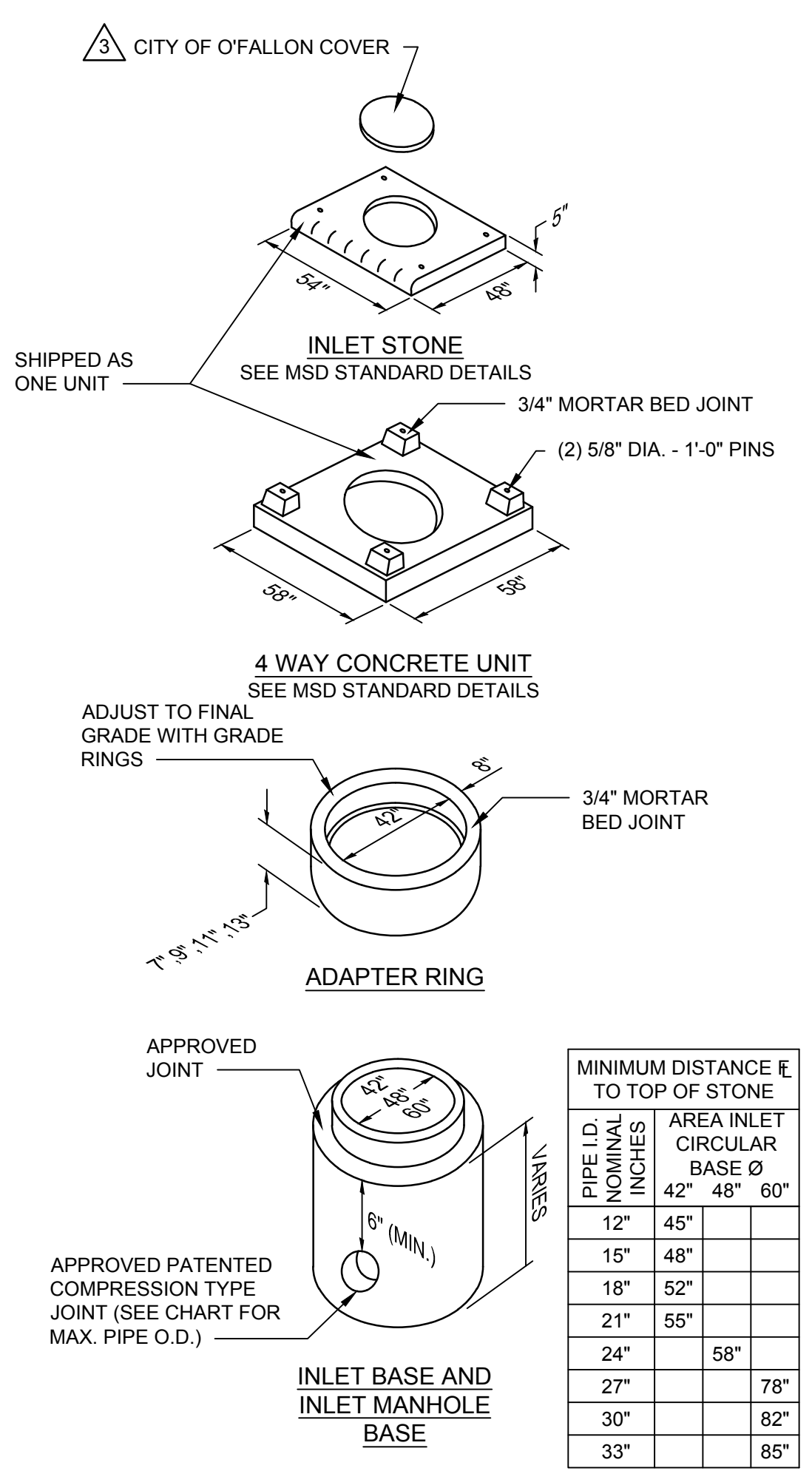


PROJECT SPECIFIC GRADING AT AREA INLETS

SCALE: N.T.S.

PROJECT SPECIFIC POOL DECK SPOT DRAIN

SCALE: N.T.S.



PIPE I.D. NOMINAL INCHES	AREA INLET CIRCULAR BASE Ø
12"	45"
15"	48"
18"	52"
21"	55"
24"	58"
27"	78"
30"	82"
33"	85"

PIPE I.D. NOMINAL INCHES	(2) GRATE INLET CIRCULAR BASE DIA.	SQUARE (MAX.)
12"	38"	31"
15"	41"	34"
18"	44"	37"
21"	47"	40"
24"	51"	44"
27"		71" N/A
30"		74" N/A
33"		77" N/A

PROJECT SPECIFIC PRECAST CONCRETE AREA INLET

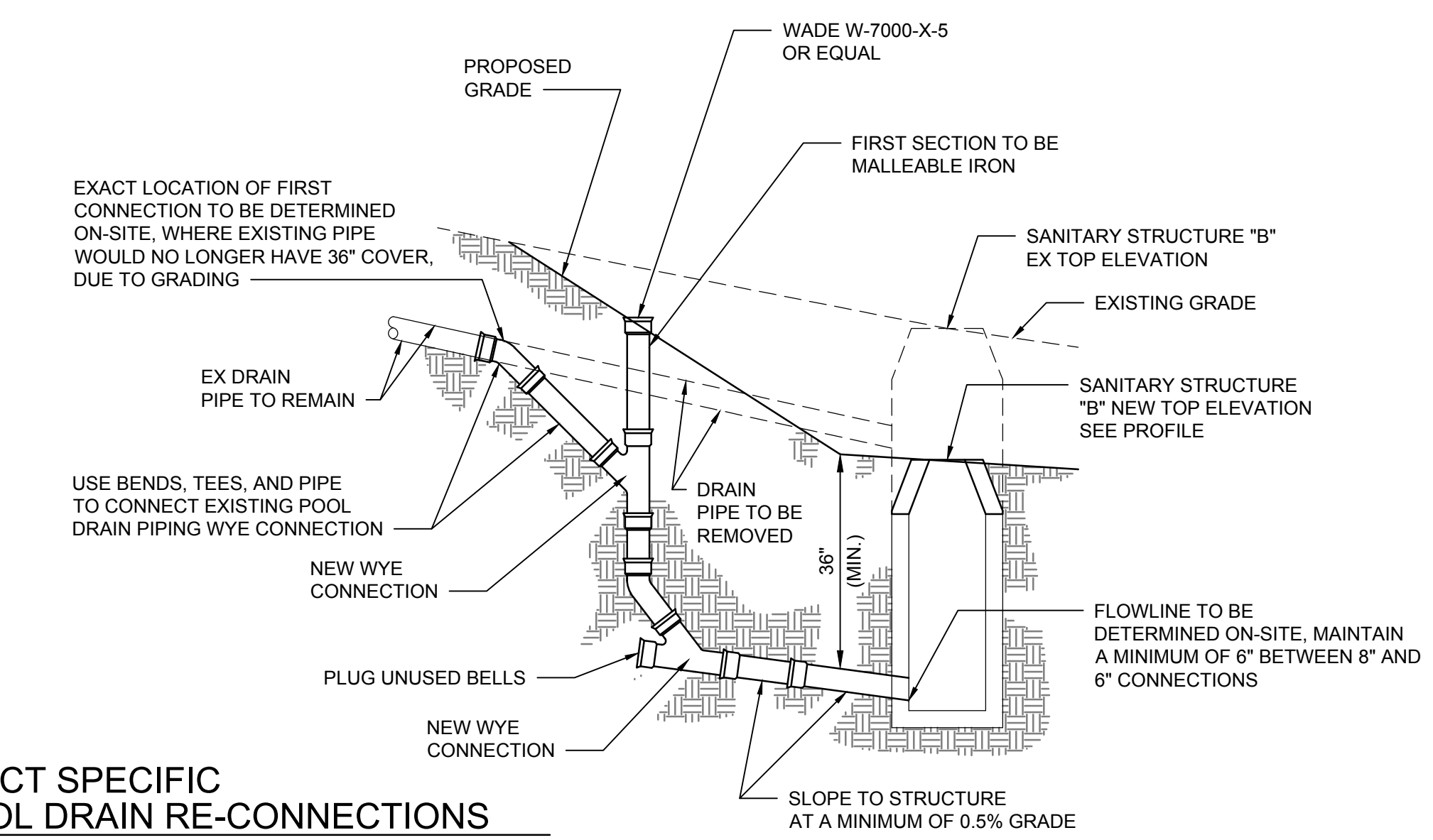
SCALE: N.T.S.

PROJECT SPECIFIC PRECAST 2 GRATE INLET

SCALE: N.T.S.

PROJECT SPECIFIC EX POOL DRAIN RE-CONNECTIONS

SCALE: N.T.S.



MARK	DATE	DESCRIPTION
A	8/16/2017	ADDENDUM #3
A	9/14/2017	ASH #1 - CITY COMMENTS