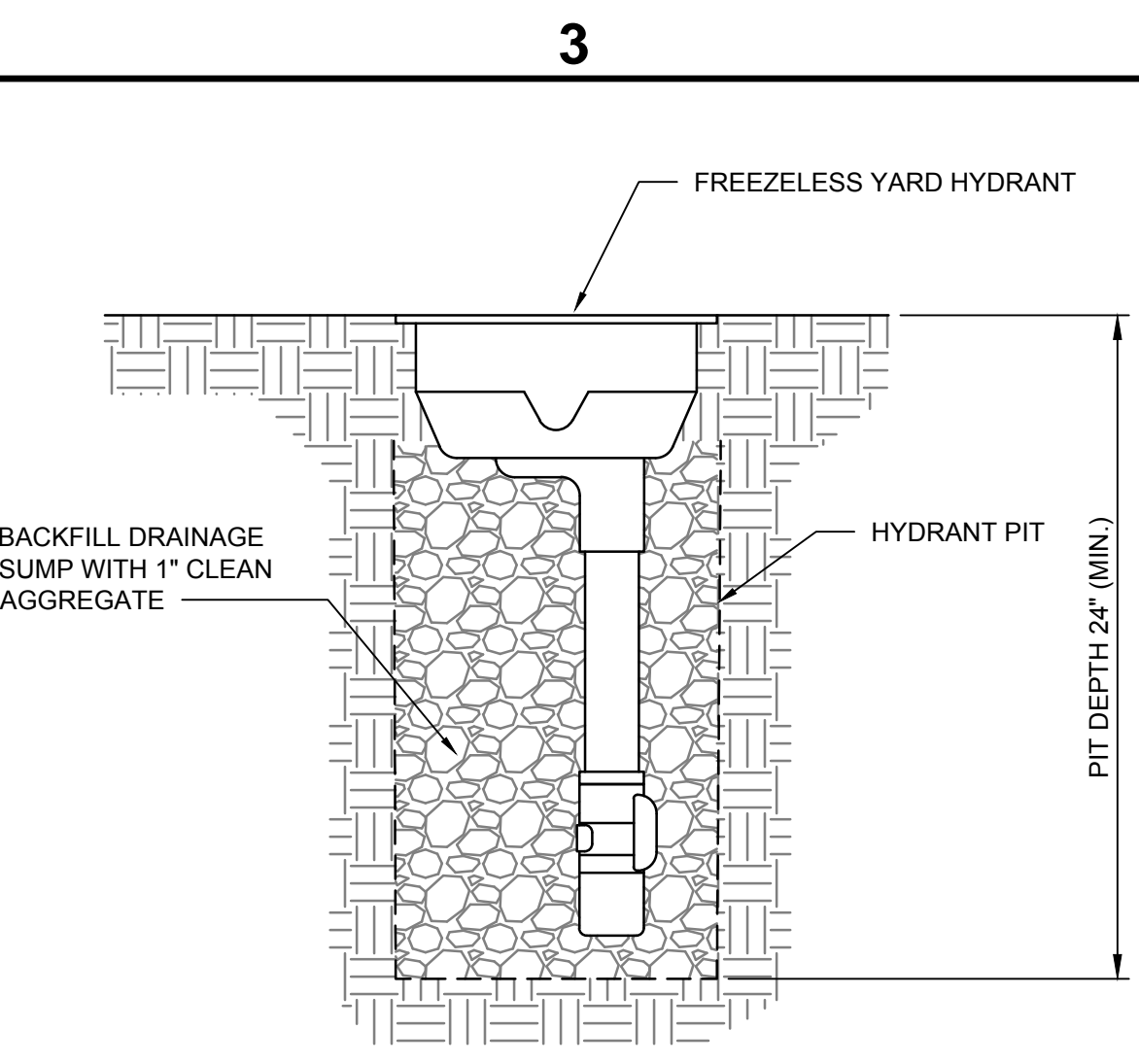


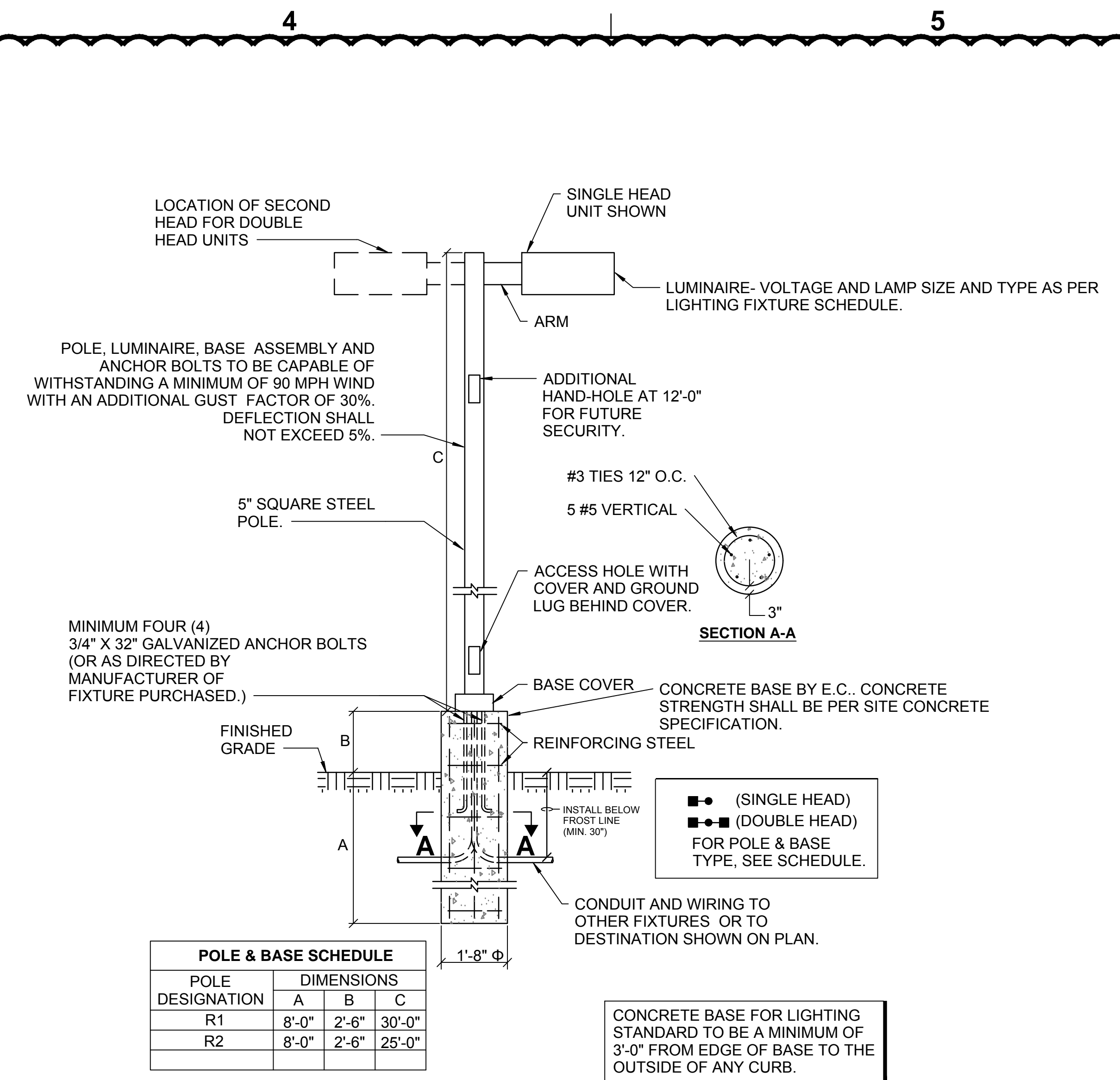
DOMESTIC SERVICE			FIRE SERVICE															
SIZE	BYPASS MIN. SIZE		10"				8"				6"				4"			
IN.	IN.	IN.	IN.	IN.	IN.	IN.	IN.	IN.	IN.	IN.	IN.	IN.	IN.	IN.	IN.	IN.	IN.	IN.
1 1/2	1	30	48	35	72	102	35	72	90	30	66	84	27	60	84			
2	2	30	48	35	72	102	35	72	90	30	66	84	27	60	84			
3	2	54	48	35	84	156	35	78	156	30	72	150	27	72	150			
4	2	54	48	35	84	162	35	84	162	30	78	156	27	72	156			
6	2	60	48	36	84	174	36	84	174	31	78	174						
8	2	66	48	37	84	186	37	84	186									

- VAULT WALLS AND ROOF TO BE OF CONCRETE.
- LIDS AND FRAMES OF OPENING TO BE SET IN PLACE NOT IN CONCRETE.
- VALVES ON EACH SIDE OF GENERAL METER FOR 1 1/2" OR 2" SERVICE TO HAVE SCREW ENDS, I.P. THREADS; FOR 3" AND ABOVE, VALVES MUST HAVE FLANGED ENDS AND BE IN ALIGNMENT. ALL VALVES MUST BE ADEQUATELY SECURED TO WITHSTAND WATER THRUST WITH METER REMOVED.
- MINIMUM CLEARANCE OF 6" TO BE PROVIDED BETWEEN THE EDGE AND GENERAL METER AND THE EDGE AND DETECTOR CHECK BYPASS METER.
- DRAINAGE FACILITIES MUST BE PROVIDED, OR BOX OTHERWISE KEPT FREE OF WATER. NO FRENCH DRAINS ALLOWED UNLESS APPROVED BY AUTHORIZED COMPANY REPRESENTATIVE.
- DIPRESSURE CLASS 350 PIPE MINIMUM, EXTENDED MIN. 6" FROM OUTLET SIDE OF METER PIT.
- TYPE "K" OR "L" COPPER ON DOMESTIC. EXTENDED MIN. 6" FROM OUTLET SIDE OF METER PIT.
- ANY DEVIATION FROM PIPE DEPTH SHOWN MUST BE APPROVED BY AUTHORIZED COMPANY REPRESENTATIVE PRIOR TO CONSTRUCTION.
- METER BOX CONTROL VALVE TO BE LOCATED AS NEAR TO METER BOX AS PRACTICAL.
- BOX TO BE SET WITH TOP OF BOX AT FINISHED GRADE WITH NO EXTENSION ALLOWED.
- CONNECTIONS TO PUBLIC WATER MAIN WILL NOT BE MADE BEFORE METER PIT AND PIPING ARE COMPLETE AND PROPERTY LINE VALVE INSTALLED UNLESS APPROVED BY AUTHORIZED MISSOURI AMERICAN WATER COMPANY REPRESENTATIVE.
- CUSTOMER SERVICE SUPERINTENDENT MUST APPROVE ALL MEGALUGS, UNIFLANGE TYPE JOINTS IN METERBOX.
- LIDS SHALL BE MADE OF ALUMINUM AND SPRING LOADED. OPENING SHALL BE 48"x48" TO ALLOW UNRESTRICTED ACCESS. OPENING TO BE FLUSH WITH OUTLET SIDE OF DOMESTIC WATER SERVICE VALVE FLANGE.
- MAIN OR SUMP PUMP NEEDS TO BE GRADED TO ALLOW WATER DRAINAGE AWAY AND OUT FROM VAULT.

11 PROJECT SPECIFIC METER BOX FOR SPLIT SERVICE SCALE: N.T.S.



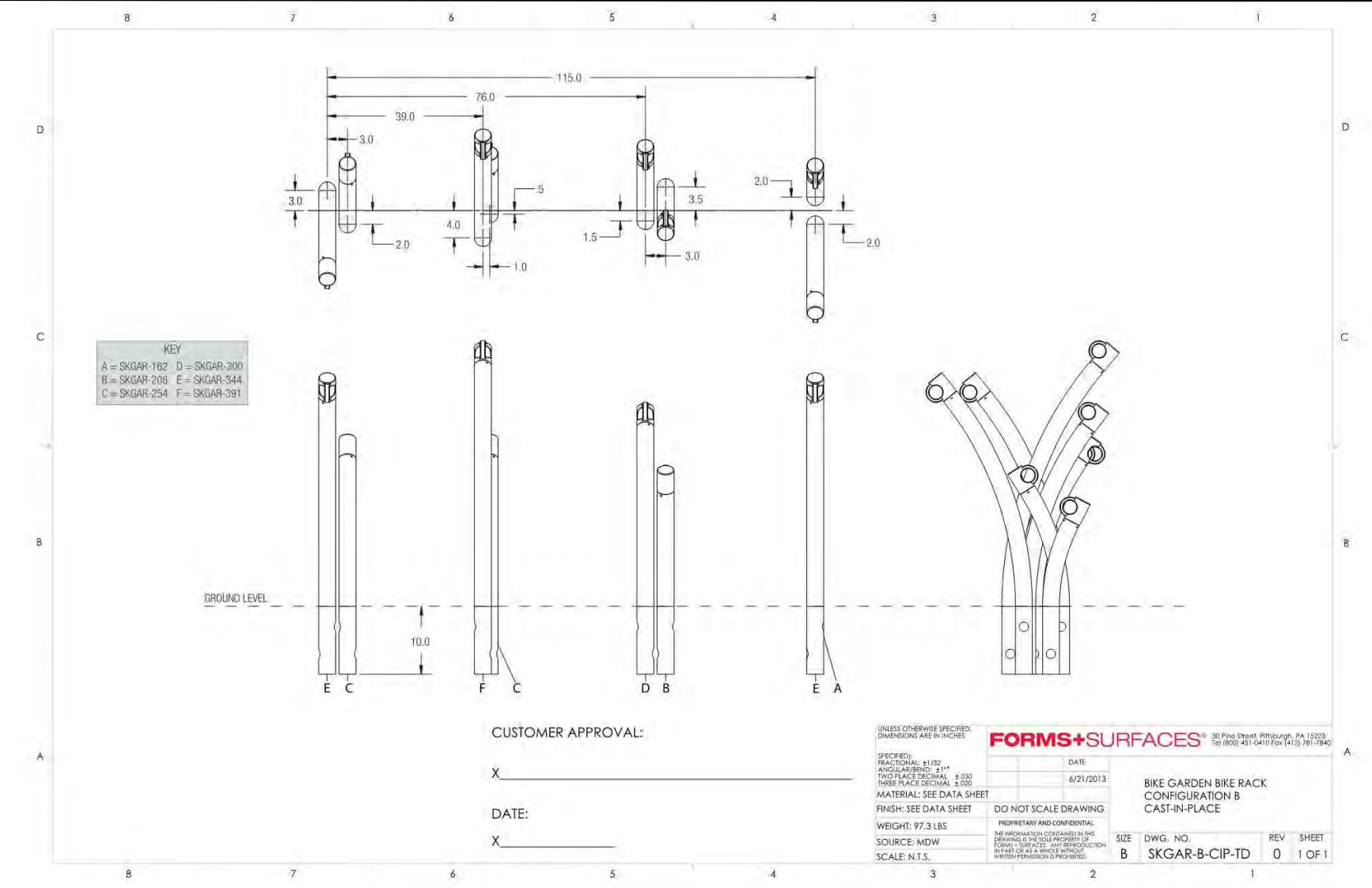
3 PROJECT SPECIFIC YARD HYDRANT DRAIN SUMP SCALE: N.T.S.



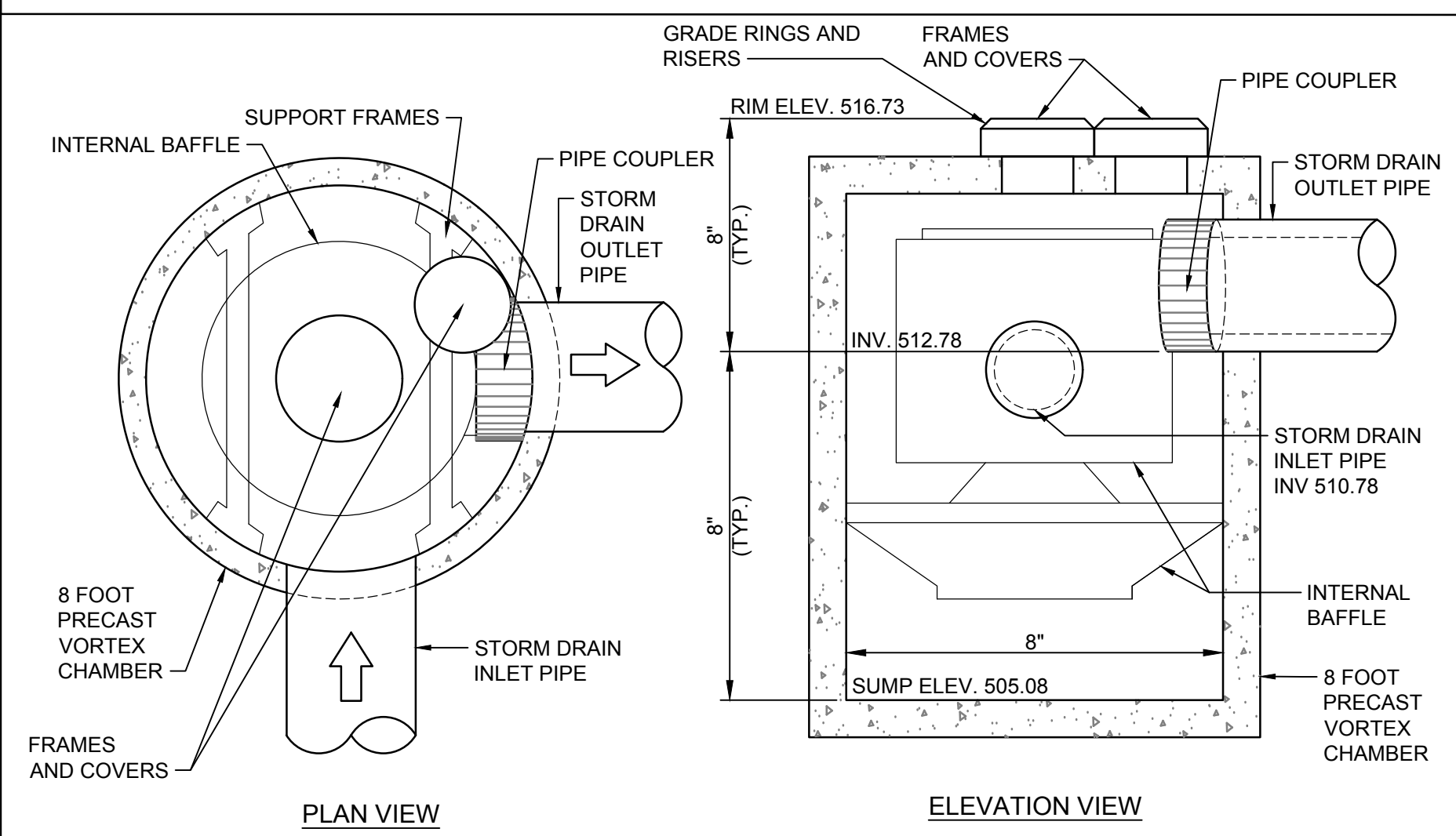
POLE DESIGNATION	DIMENSIONS		
	A	B	C
R1	8'-0"	2'-6"	30'-0"
R2	8'-0"	2'-6"	25'-0"

THIS DETAIL IS FOR REFERENCE ONLY, SEE ELECTRICAL PLANS

9 PROJECT SPECIFIC LIGHT DETAIL SCALE: N.T.S.



14 PROJECT SPECIFIC BIKE RACK SCALE: N.T.S.



19 PROJECT SPECIFIC DOWNSTREAM DEFENDER SCALE: N.T.S.

- NOTES:
- THIS IS A STANDARD DETAIL AND IS NOT SITE SPECIFIC.
  - REFER TO SUBMITTAL OR FABRICATION DRAWINGS FOR FINAL RIM AND INVERT ELEVATIONS. NOTE: ELEVATION OF INLET INVERT IS ONE PIPE DIAMETER LOWER THAN THE OUTLET INVERT.
  - CONTACT HYDRO INTERNATIONAL FOR SITE SPECIFIC DRAWINGS.
  - THE TREATMENT SYSTEM SHALL USE AN INDUCED VORTEX TO SEPARATE POLLUTANTS FROM STORMWATER RUNOFF.
  - THE TREATMENT SYSTEM SHALL REMOVE 80% OR GREATER OF TSS AT THE WQF.
  - THE TREATMENT SYSTEM SHALL TREAT ALL FLOWS UP TO PTFR WITHOUT BYPASS OR LOSS OF STORED POLLUTANTS.
  - THE MAX. HEADLOSS SHALL NOT BE EXCEEDED AT PTFR WITH MAX. INLET PIPE DIAMETER.
  - AN ACCEPTABLE PIPE COUPLER SHALL BE USED TO CONNECT TO DOWNSTREAM DEFENDER'S INTERNAL OUTLET STUB TO THE STORMDRAIN.
  - THE DIAMETER OF THE DOWNSTREAM DEFENDER'S OUTLET STUB IS NOT ADJUSTABLE. ANY REDUCERS REQUIRED TO MATCH DIFFERENT STORMDRAIN DIAMETER MUST OCCUR OUTSIDE THE VORTEX CHAMBER.
  - THE INLET PIPE DIAMETER MUST NOT BE LARGER THAN THE OUTLET PIPE.
  - THE TANGENTIAL INLET PIPE ANGLE IS NOT SITE SPECIFIC. REFER TO PROJECT PLANS AND FABRICATION DRAWINGS.

K:\FALLON\MO\MO\160194\_SFS OF FALLON CIVIC PARK\08 CAD\07 CIVIL\01 - CIVIL SITE DETAILS.DWG  
© 2017 1:46:42 PM

**sfs architecture**  
2100 Central St. Suite 317, Kansas City, MO 64108  
P: 816.454.8898 F: 816.454.8899 E: info@sfsarch.com

**KdG**  
Kuhlmann design Group, Inc.  
66 Progress Parkway - St. Louis, Missouri 63043  
P: 314.434.8898 F: 314.434.8280 E: kdgr.com

ANTHONY JAMES GIRONDO III  
PE-200231087  
Professional Engineer  
Missouri

CIVIC PARK IMPROVEMENTS

O'Fallon Parks and Rec  
Civic Park, O'Fallon,  
Missouri

MARK	DATE	DESCRIPTION
Δ	8/15/2017	ADDENDUM #3

SFS PROJECT NO: 1682  
ISSUED FOR: CONSTRUCTION DOCUMENTS  
ISSUE DATE: 07/27/2017  
© 2017 SFS ARCHITECTURE

CIVIL SITE DETAILS

**C4-08**