

ROUND PIPE				HORIZONTAL ELLIPTICAL PIPE			
INSIDE DIAMETER OF PIPE (INCHES)	"W" PAYLINE WIDTH OF TRENCH (INCHES)	"W" PAYLINE WIDTH OF TRENCH (FEET)	PAY-VOLUMES CU. FT. PER FT. OF CONCRETE ENCASUREMENT	INSIDE DIMENSIONS (INCHES)	"W" PAYLINE WIDTH OF TRENCH (INCHES)	"W" PAYLINE WIDTH OF TRENCH (FEET)	PAY-VOLUMES CU. FT. PER FT. OF CONCRETE ENCASUREMENT
4	30	2.50	3.28				
6	30	2.50	3.58				
8	30	2.50	3.87				
10	30	2.50	4.09				
12	30	2.50	4.25				
15	36	3.00	5.55				
18	36	3.00	5.77	14 x 23	41	3.42	5.94
21	39	3.25	6.61				
24	42	3.50	7.39	19 x 30	49	4.08	7.88
27	45	3.75	8.18	22 x 34	53	4.42	8.61
30	48	4.00	8.90	24 x 38	56	4.83	9.70
33	53	4.42	10.53	27 x 42	62	5.17	10.71
36	56	4.82	11.43	29 x 45	66	5.50	11.72
39	DISCONTINUED			32 x 49	71	5.92	13.14
42	63	5.25	13.38	34 x 53	75	6.25	14.05
48	70	5.83	15.87	36 x 60	83	6.92	16.18
54	77	6.42	18.15	43 x 68	92	7.67	18.81
60	84	7.00	20.73	48 x 78	101	8.42	21.59
66	91	7.58	23.45	53 x 83	109	9.08	24.35
72	98	8.17	26.37	58 x 91	118	9.83	27.45
78	105	8.75	29.38	63 x 98	128	10.50	30.50
84	112	9.33	32.57	68 x 106	135	11.25	33.91
90	119	9.92	35.90	72 x 113	143	11.92	36.99
96	126	10.50	39.37	77 x 121	152	12.67	40.69
102	133	11.08	42.99	82 x 128	160	13.33	44.45
108	140	11.67	46.75	87 x 136	168	14.00	47.79
114	147	12.25	50.66	92 x 143	176	14.67	51.70
120	154	12.83	54.72	97 x 151	185	15.42	56.01
126	161	13.42	58.92				
132	168	14.00	63.27	106 x 166	202	16.83	64.48
144	182	15.17	72.40	118 x 180	218	18.17	73.59

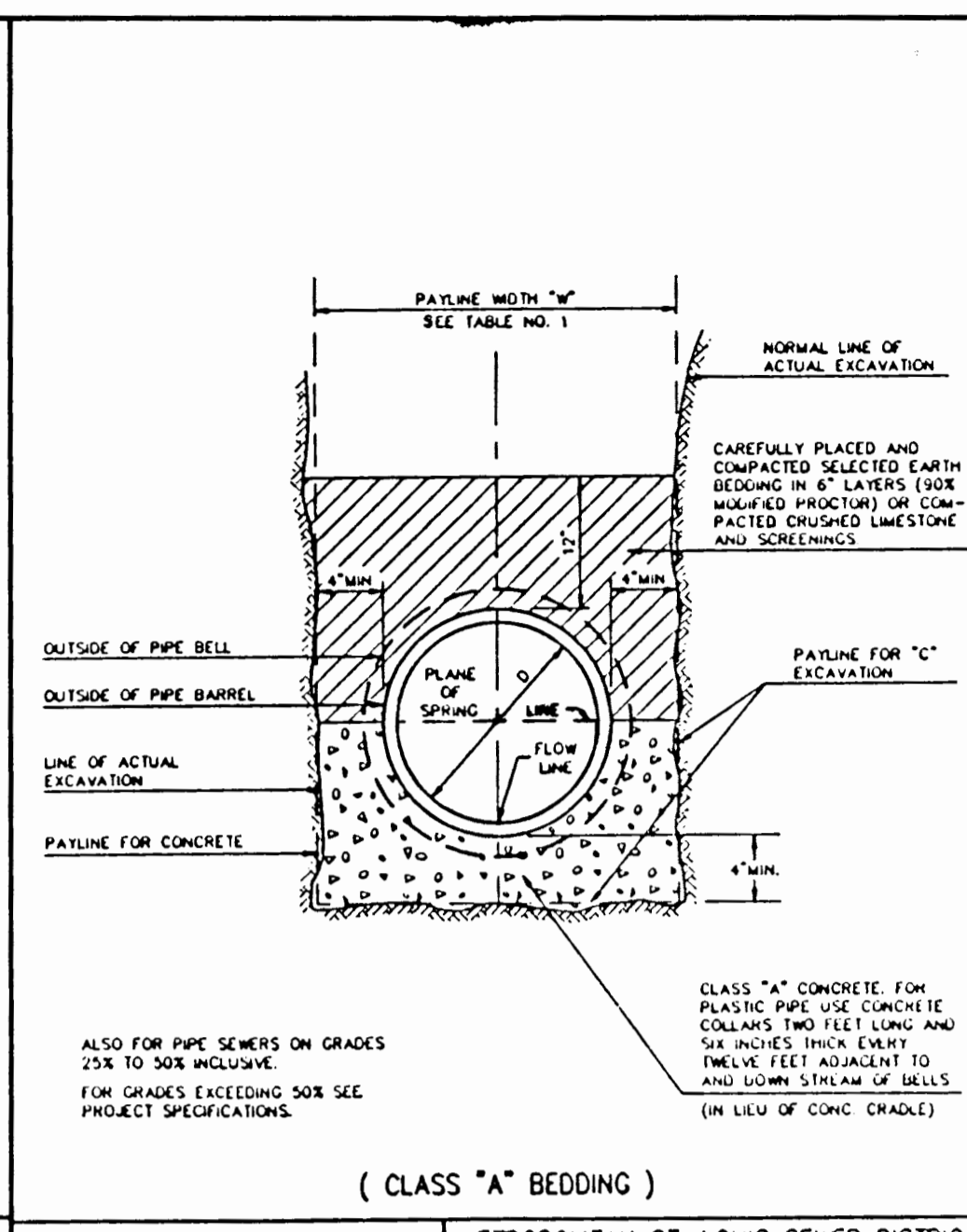
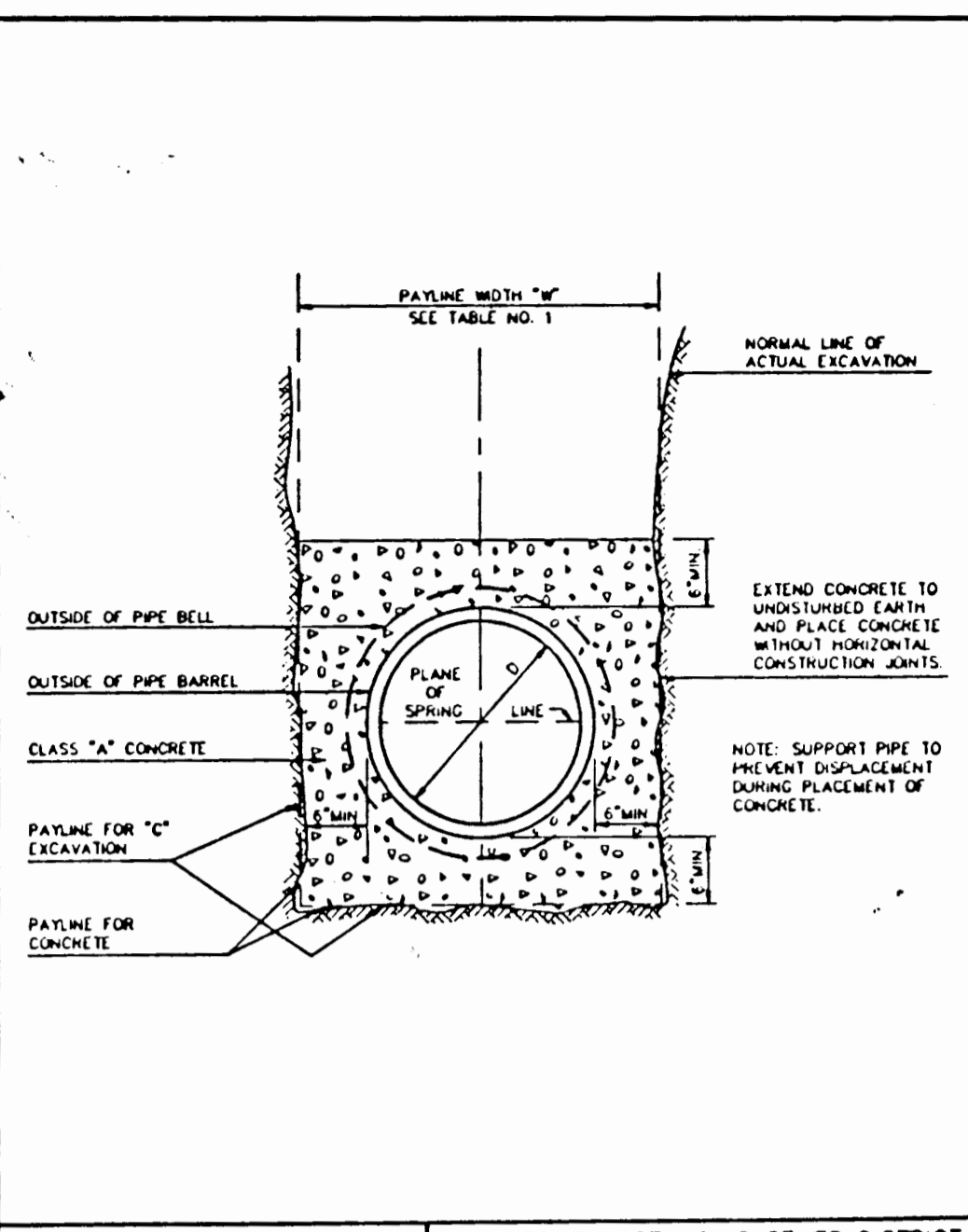
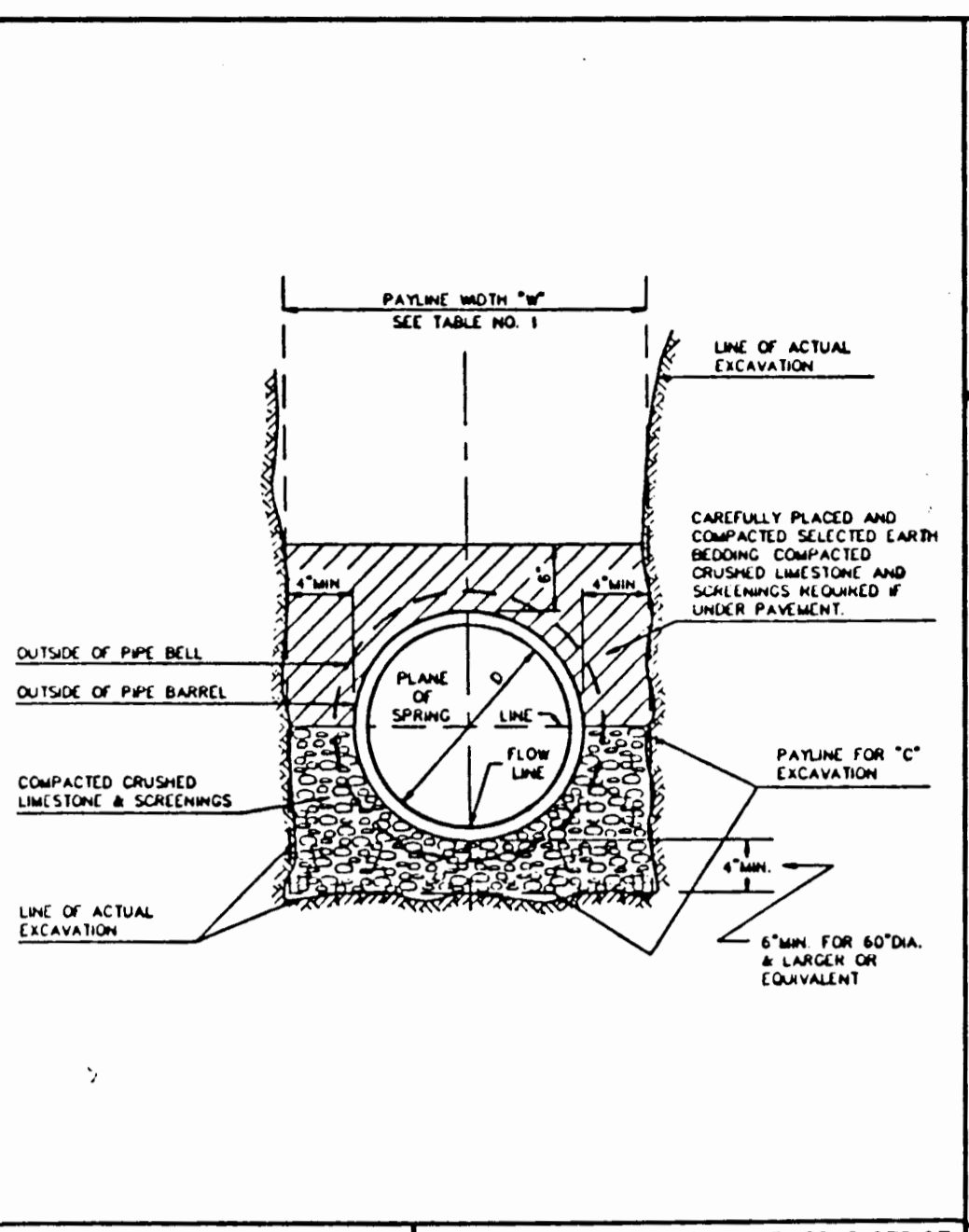
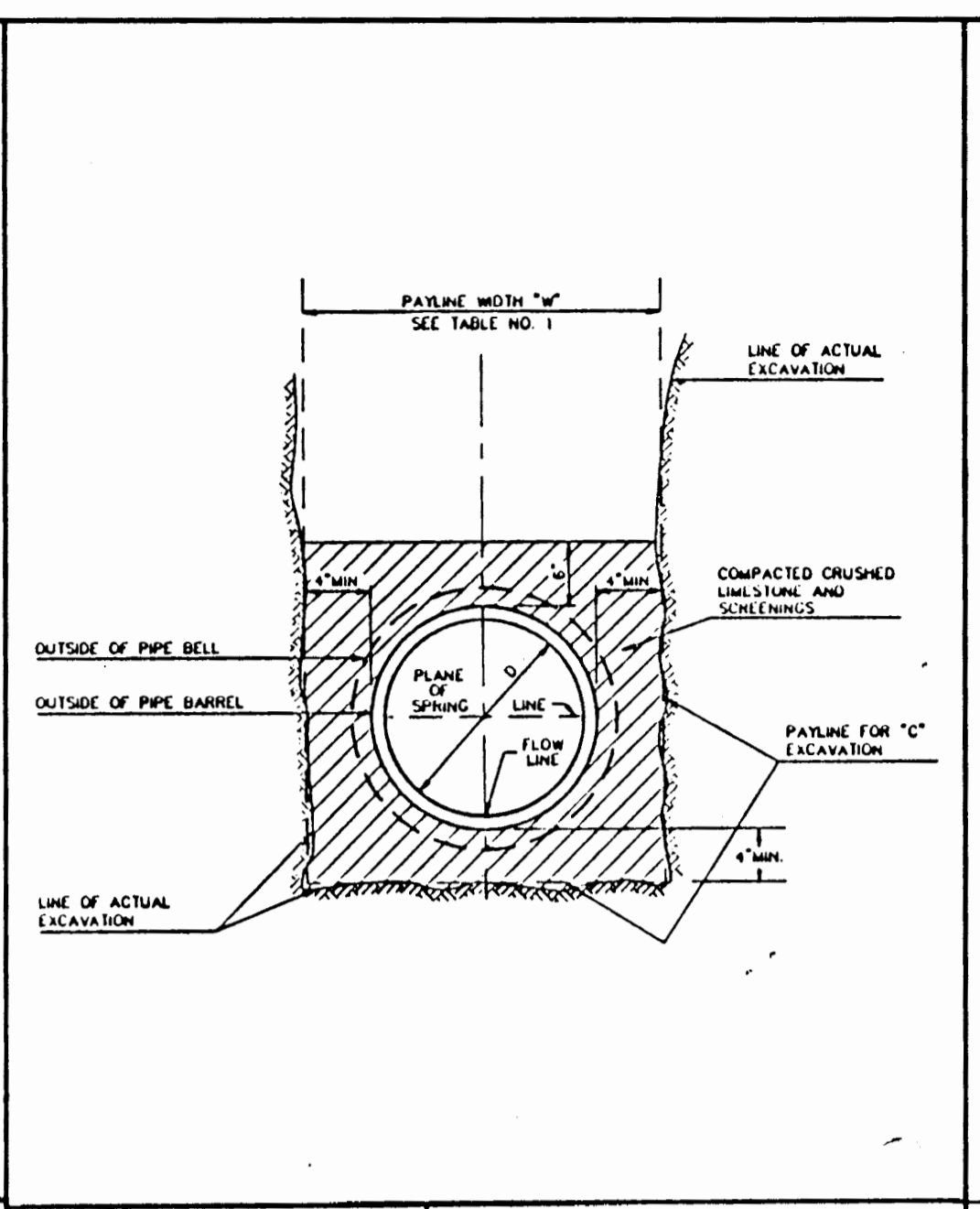
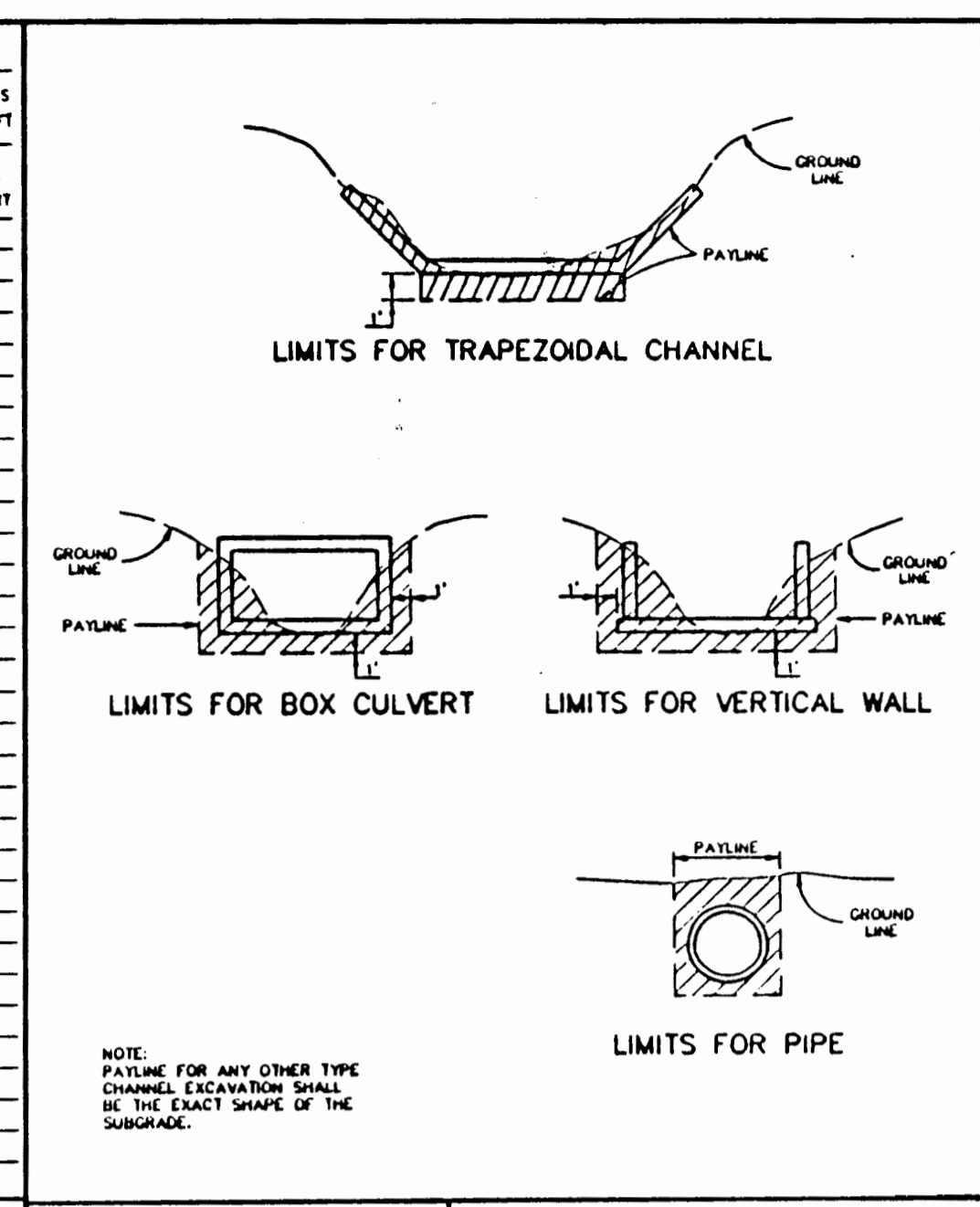


TABLE 1  
PAYLINE WIDTHS OF TRENCH AND PAY-QUANTITIES OF CONCRETE  
METROPOLITAN ST. LOUIS SEWER DISTRICT  
Standard Details of Sewer Construction  
Dr. B.E.B. Ch. J.C.K. 1992 SHEET 1

PAYLINE LIMITS FOR EXCAVATION  
METROPOLITAN ST. LOUIS SEWER DISTRICT  
Standard Details of Sewer Construction  
Dr. W.S.H. Ch. J.C.K. 1992 SHEET 2

PIPE BEDDING CLASS "C" (FOR ALL PIPE EXCEPT REINFORCED CONCRETE PIPE)  
METROPOLITAN ST. LOUIS SEWER DISTRICT  
Standard Details of Sewer Construction  
Dr. W.S.H. Ch. J.C.K. 1992 SHEET 3

PIPE BEDDING CLASS "C" (MODIFIED FOR REINFORCED CONCRETE PIPE)  
METROPOLITAN ST. LOUIS SEWER DISTRICT  
Standard Details of Sewer Construction  
Dr. W.S.H. Ch. J.C.K. 1992 SHEET 4

CONCRETE ENCASUREMENT  
METROPOLITAN ST. LOUIS SEWER DISTRICT  
Standard Details of Sewer Construction  
Dr. W.S.H. Ch. J.C.K. 1992 SHEET 5

CONCRETE CRADLE  
METROPOLITAN ST. LOUIS SEWER DISTRICT  
Standard Details of Sewer Construction  
Dr. W.S.H. Ch. J.C.K. 1992 SHEET 6

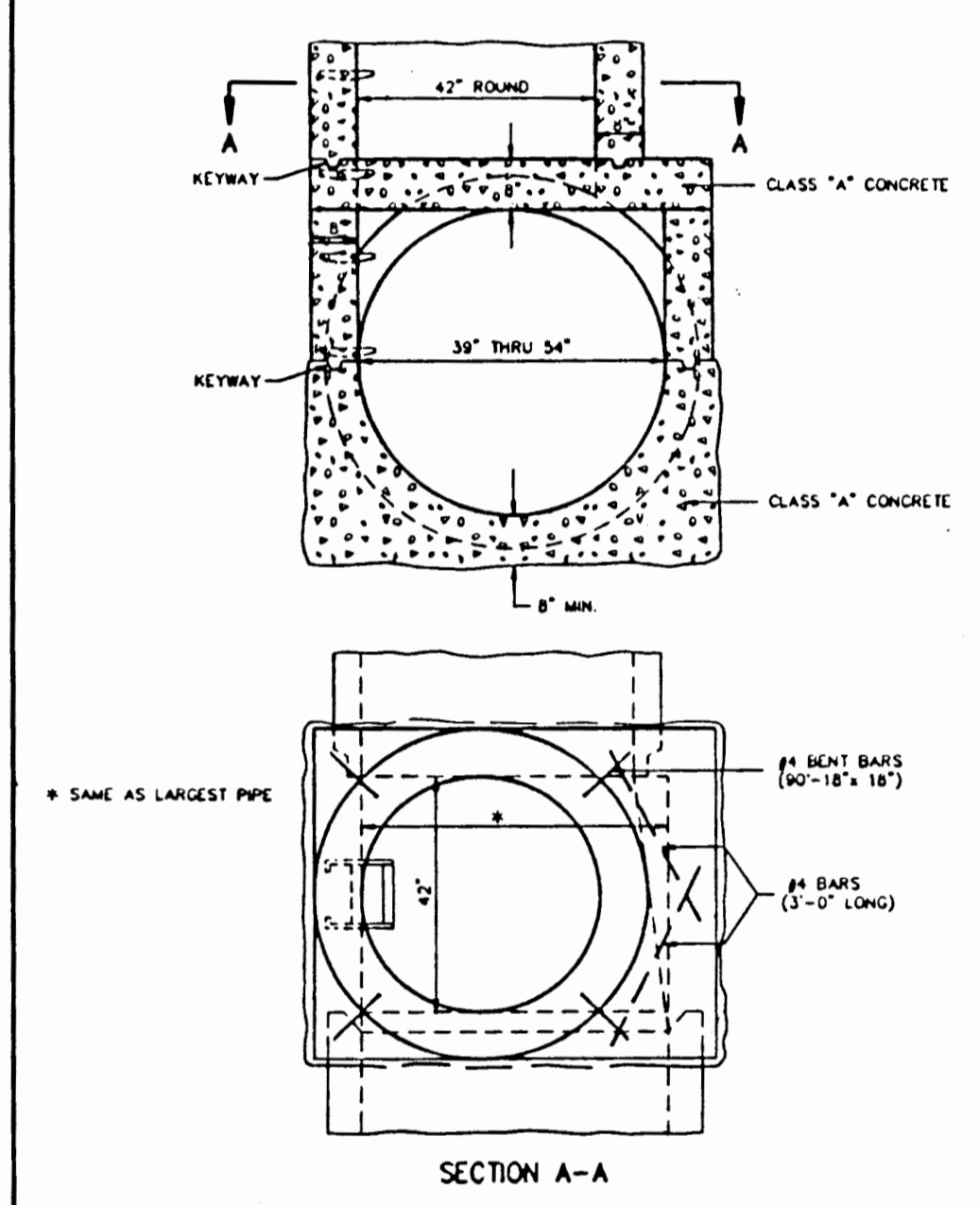
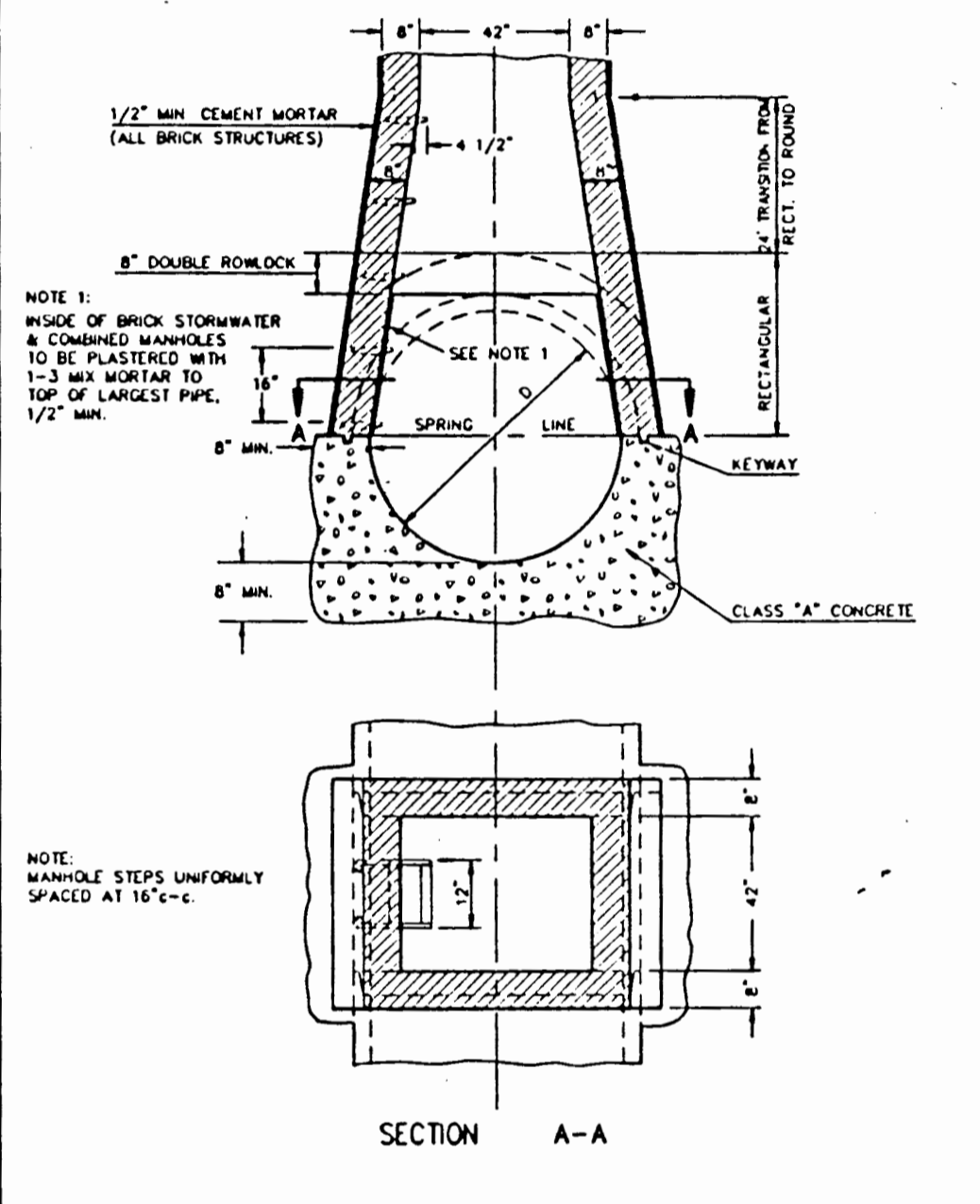
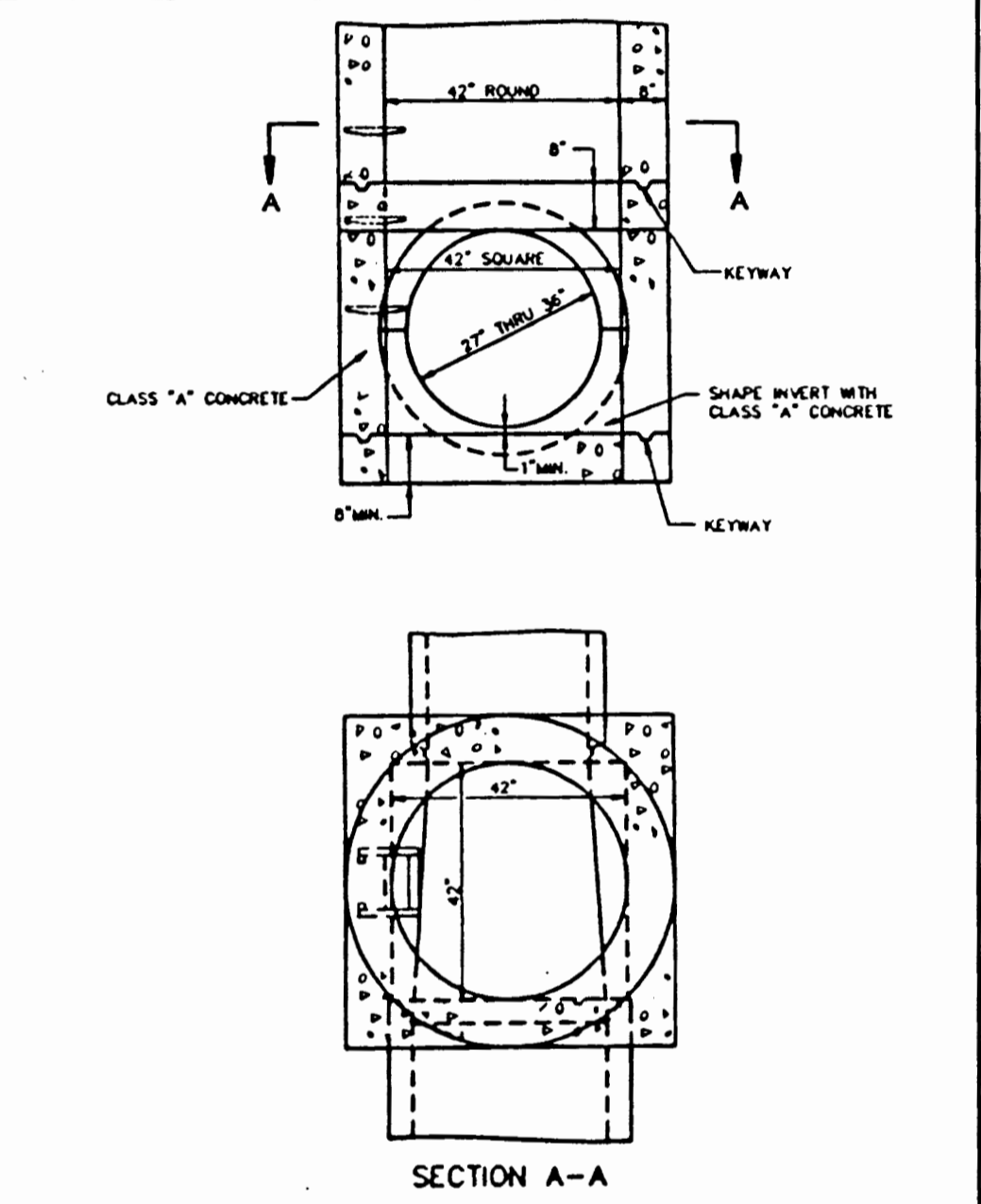
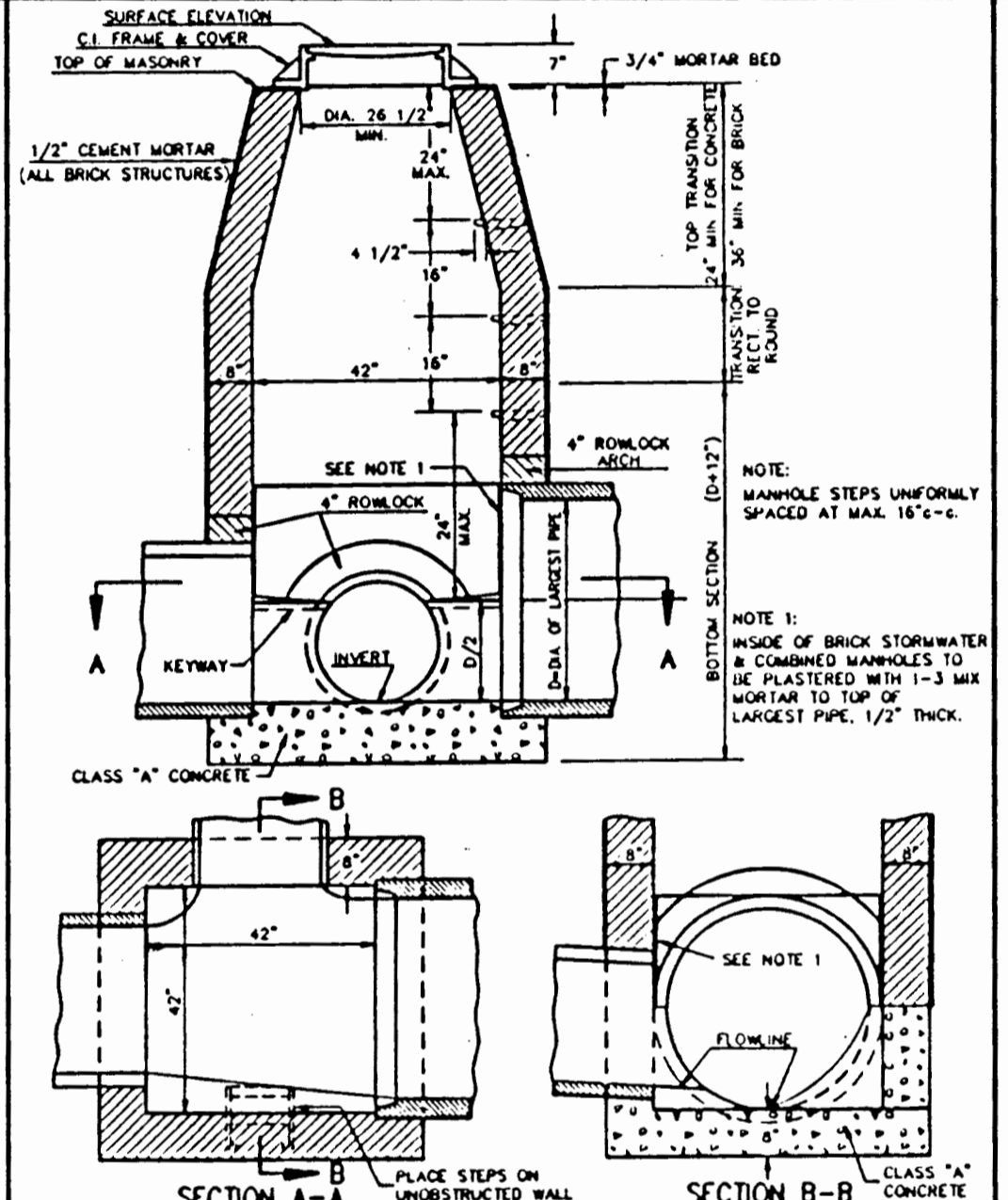
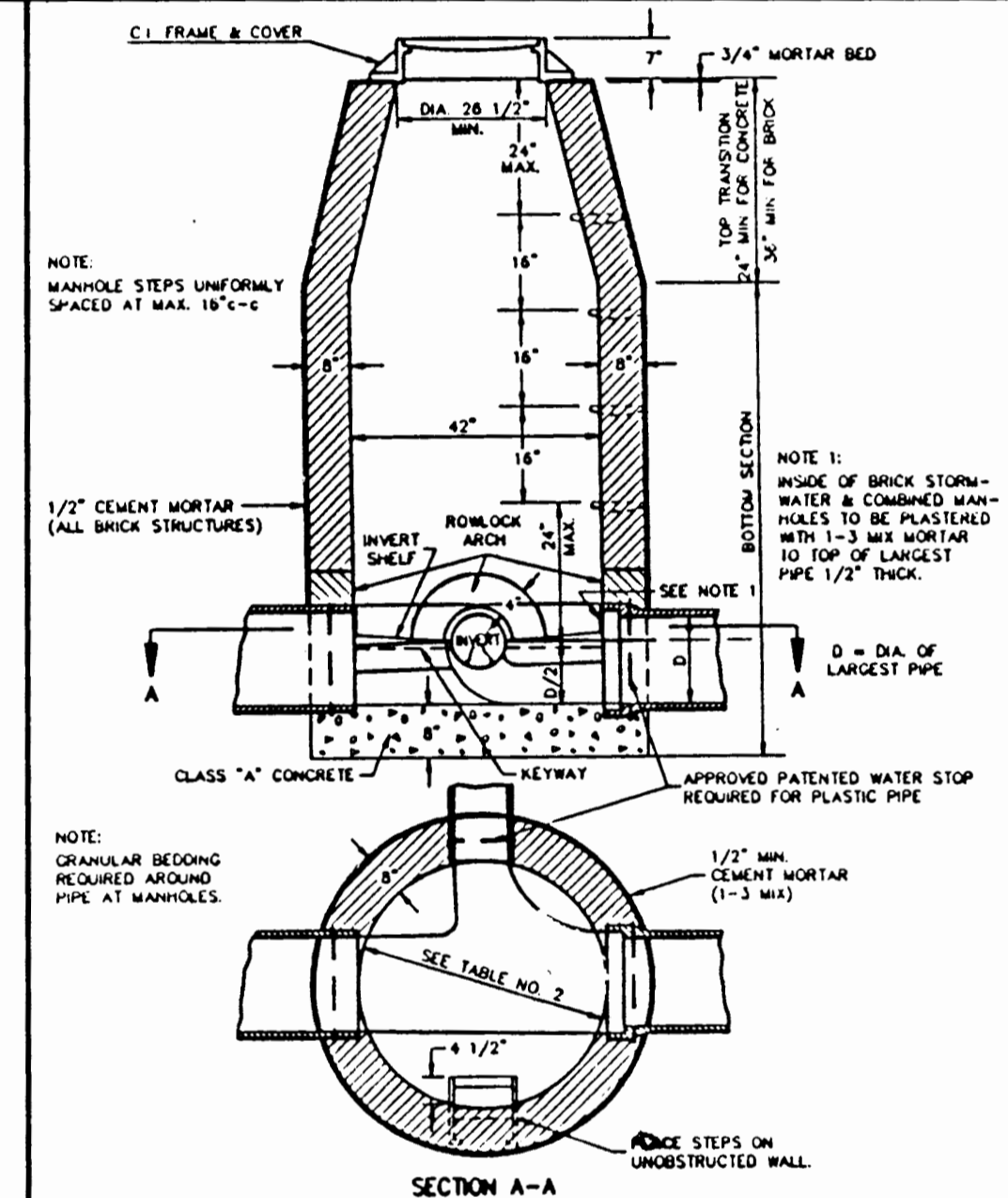
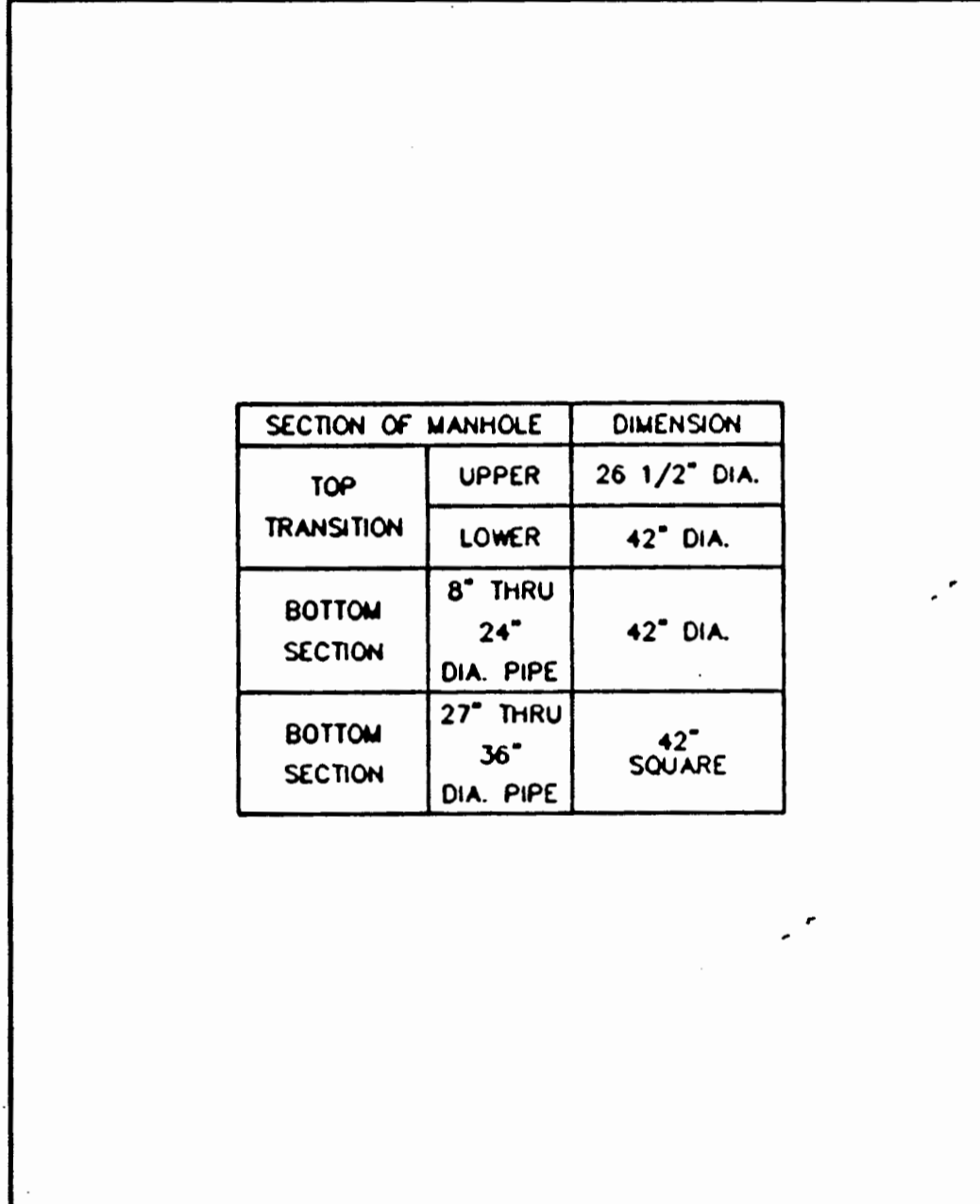


TABLE NO. 2  
STANDARD MANHOLE DIMENSIONS  
METROPOLITAN ST. LOUIS SEWER DISTRICT  
Standard Details of Sewer Construction  
Dr. R.W. Ch. J.C.K. 1992 SHEET 7

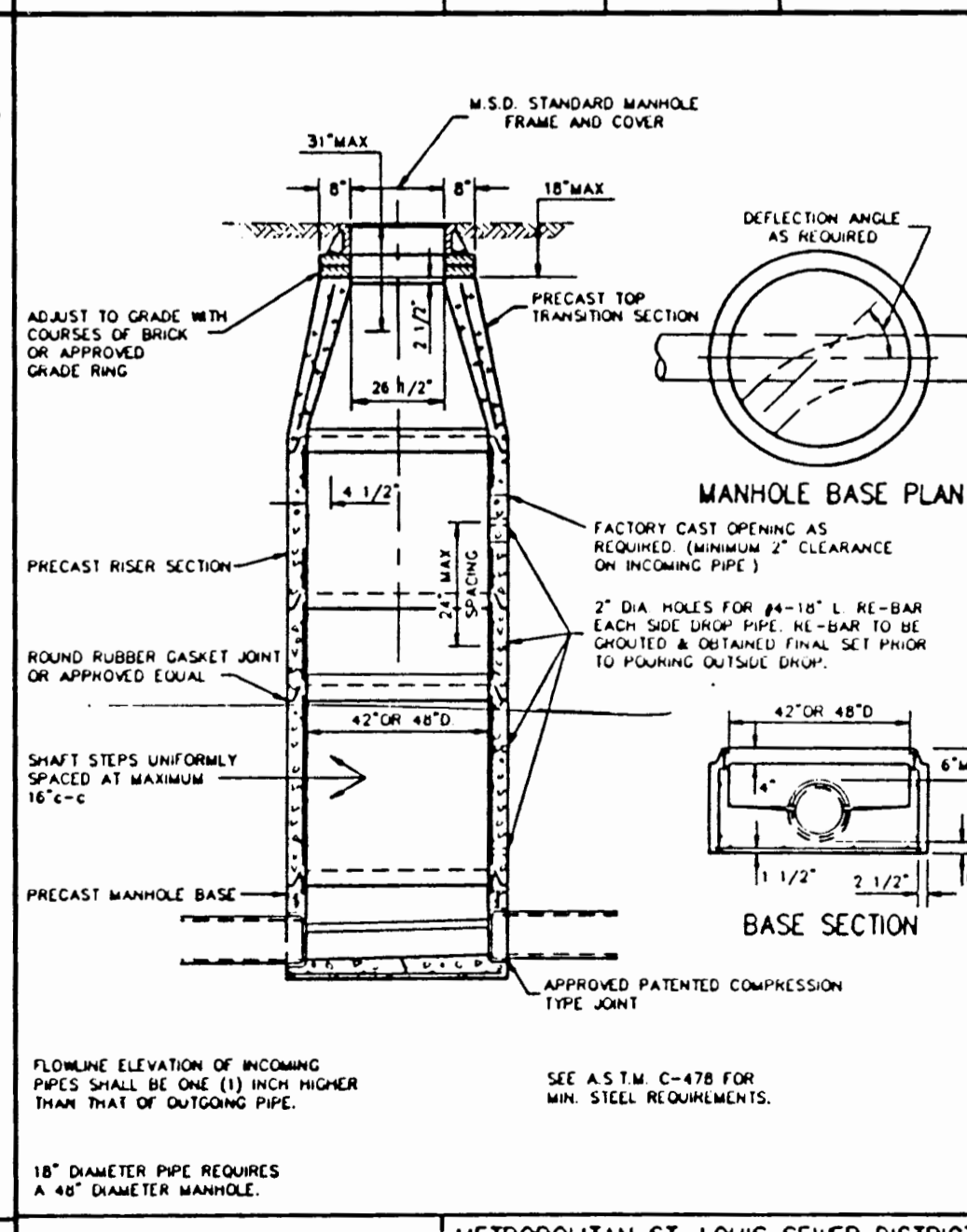
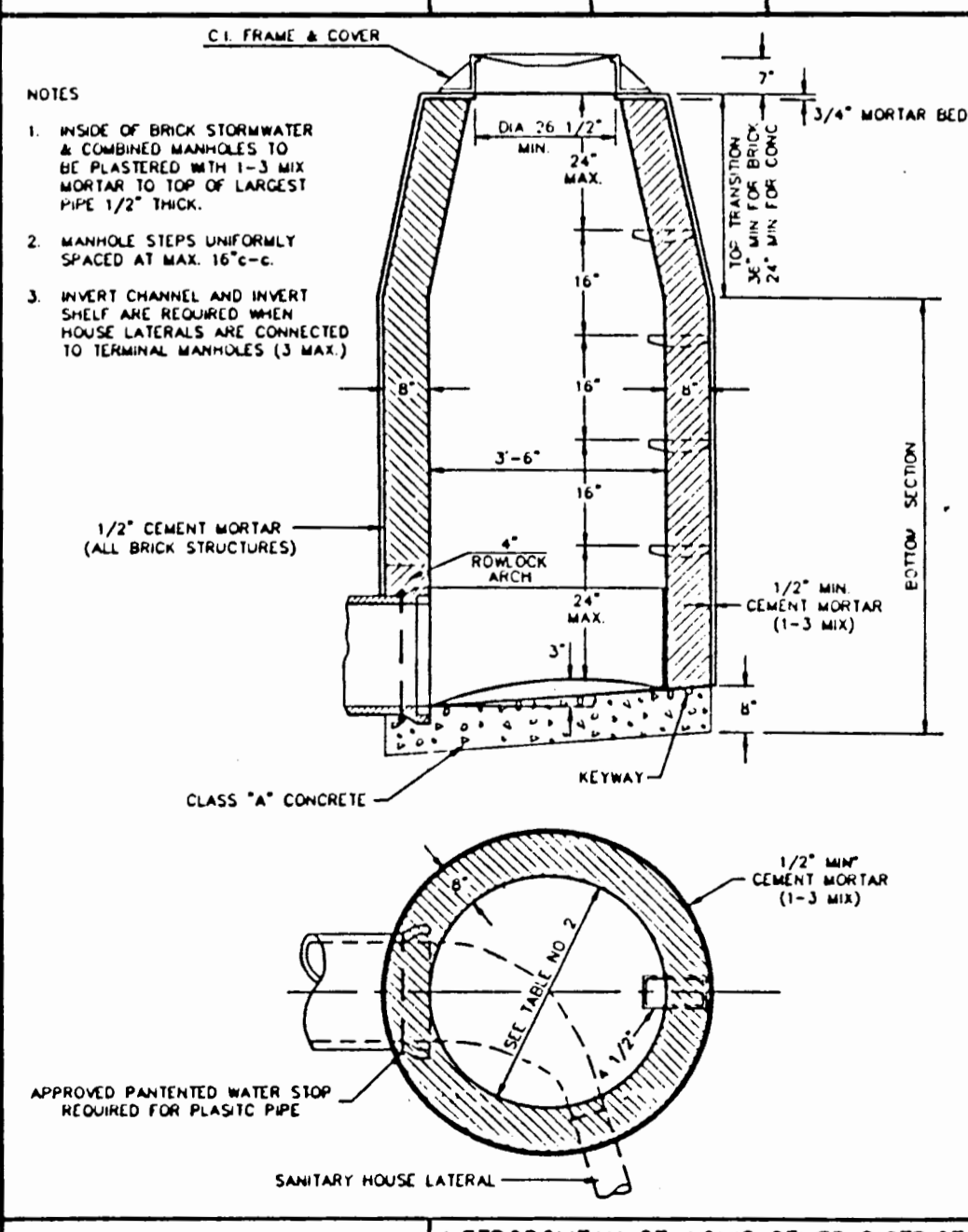
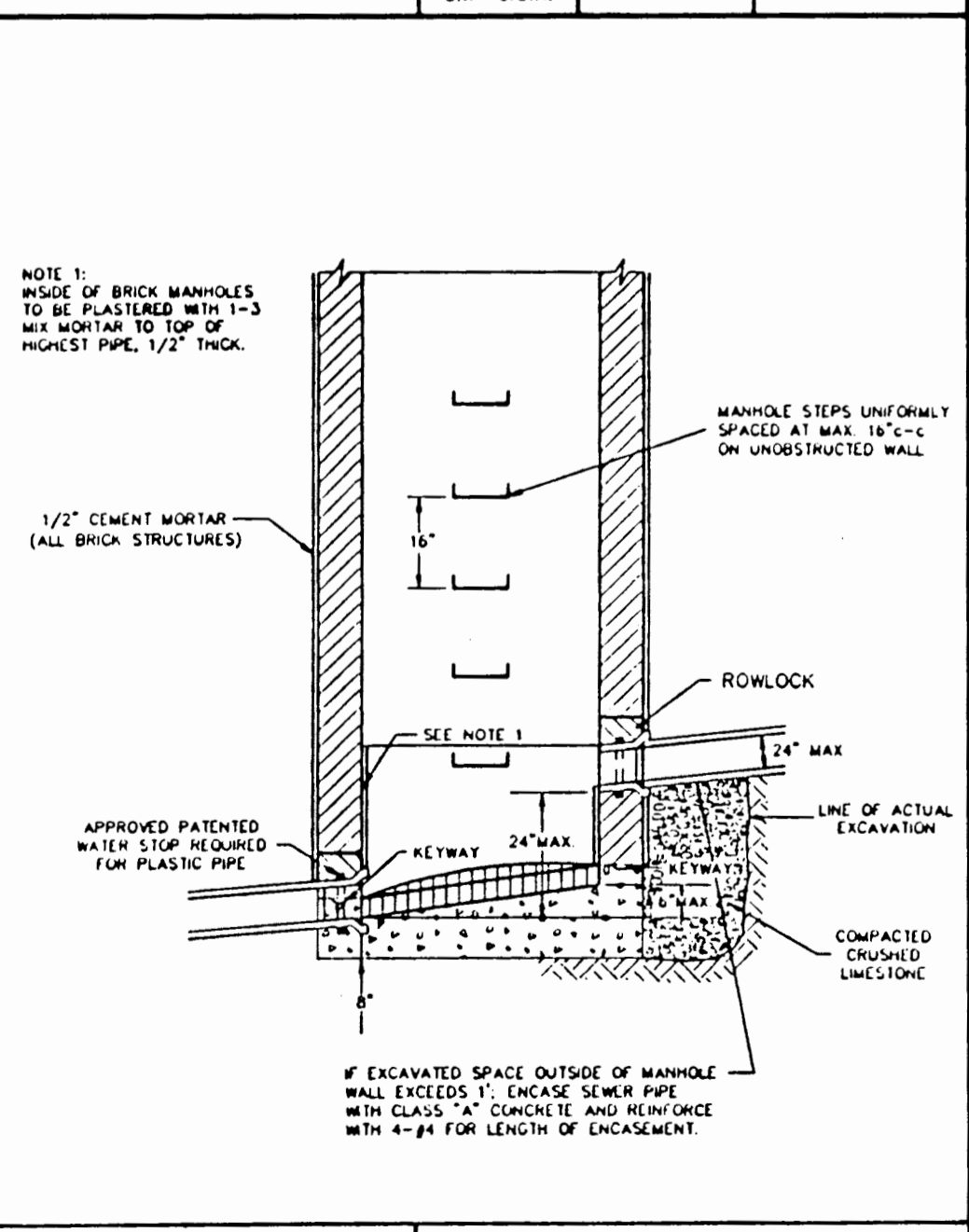
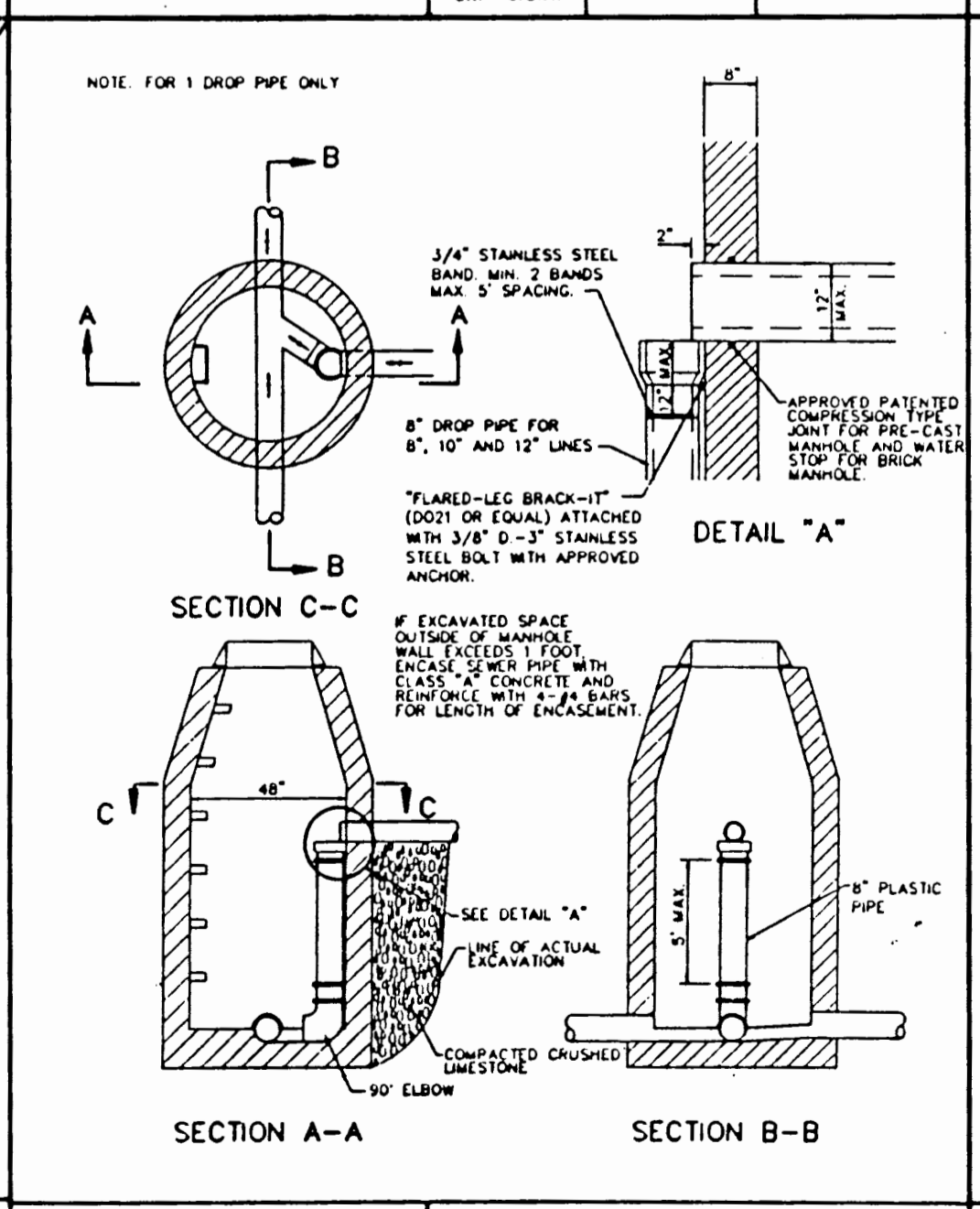
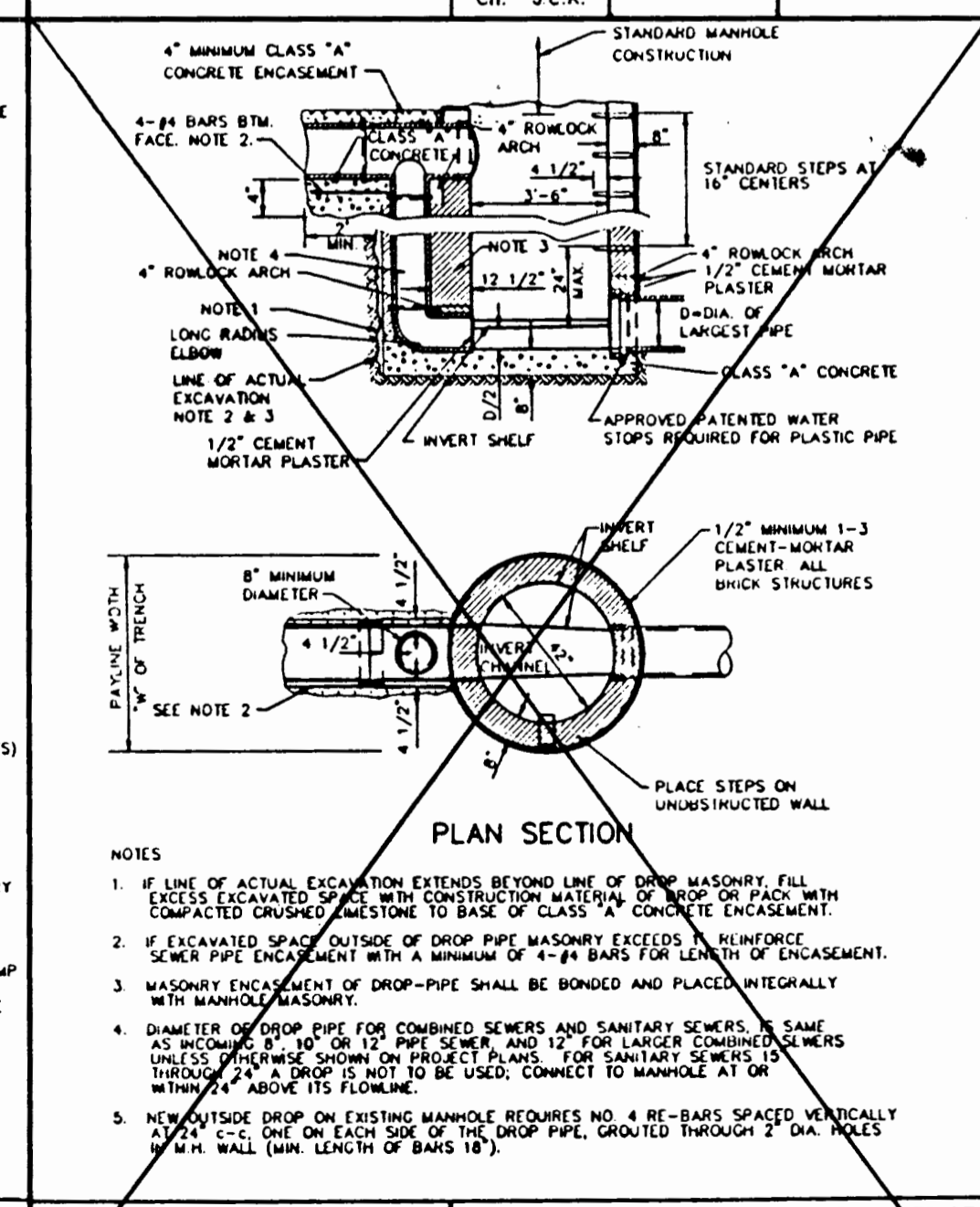
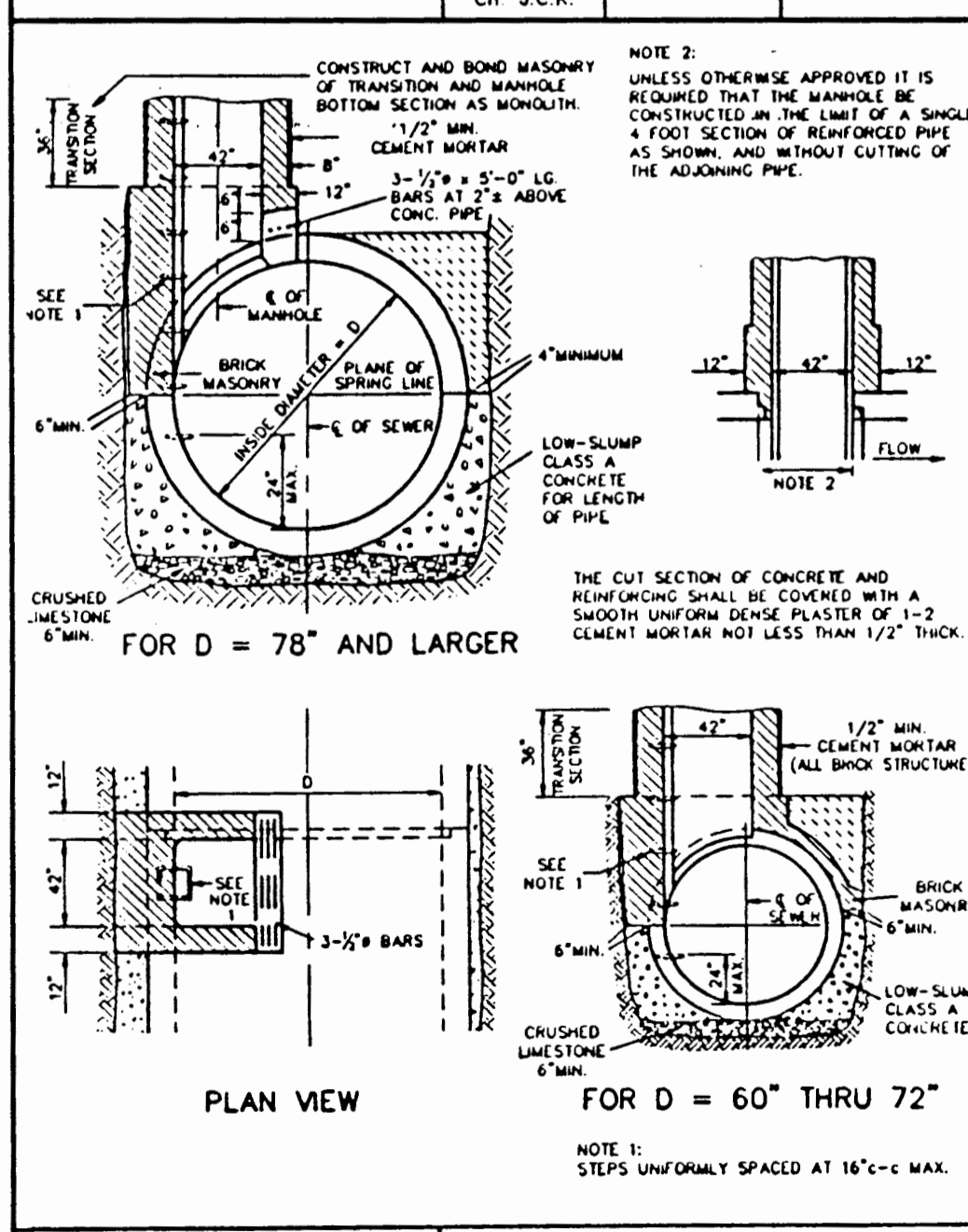
LINE MANHOLE  
PIPE SEWERS 8\"/>

TYPICAL LINE MANHOLE  
ON PIPE SEWER 27\"/>

MANHOLE ON PIPE SEWER  
27\"/>

MANHOLE ON CONCRETE PIPE  
SEWERS 39\"/>

MANHOLE ON CONC. PIPE  
39\"/>



TYPICAL MANHOLE BASE  
REINFORCED CONCRETE PIPE  
SEWERS 60\"/>

OUTSIDE FOULWATER  
DROP MANHOLE  
METROPOLITAN ST. LOUIS SEWER DISTRICT  
Standard Details of Sewer Construction  
Dr. R.W. Ch. J.C.K. 1992 SHEET 14

INSIDE FOULWATER  
DROP MANHOLE  
METROPOLITAN ST. LOUIS SEWER DISTRICT  
Standard Details of Sewer Construction  
Dr. R.W. Ch. J.C.K. 1992 SHEET 15

INSIDE FOULWATER  
DROP MANHOLE  
(FOR FREE-FALL)  
METROPOLITAN ST. LOUIS SEWER DISTRICT  
Standard Details of Sewer Construction  
Dr. W.S.H. Ch. J.C.K. 1992 SHEET 16

TERMINAL MANHOLE  
METROPOLITAN ST. LOUIS SEWER DISTRICT  
Standard Details of Sewer Construction  
Dr. W.S.H. Ch. J.C.K. 1992 SHEET 17

PRE-CAST CONCRETE MANHOLE  
FOR SEWERS  
8\"/>