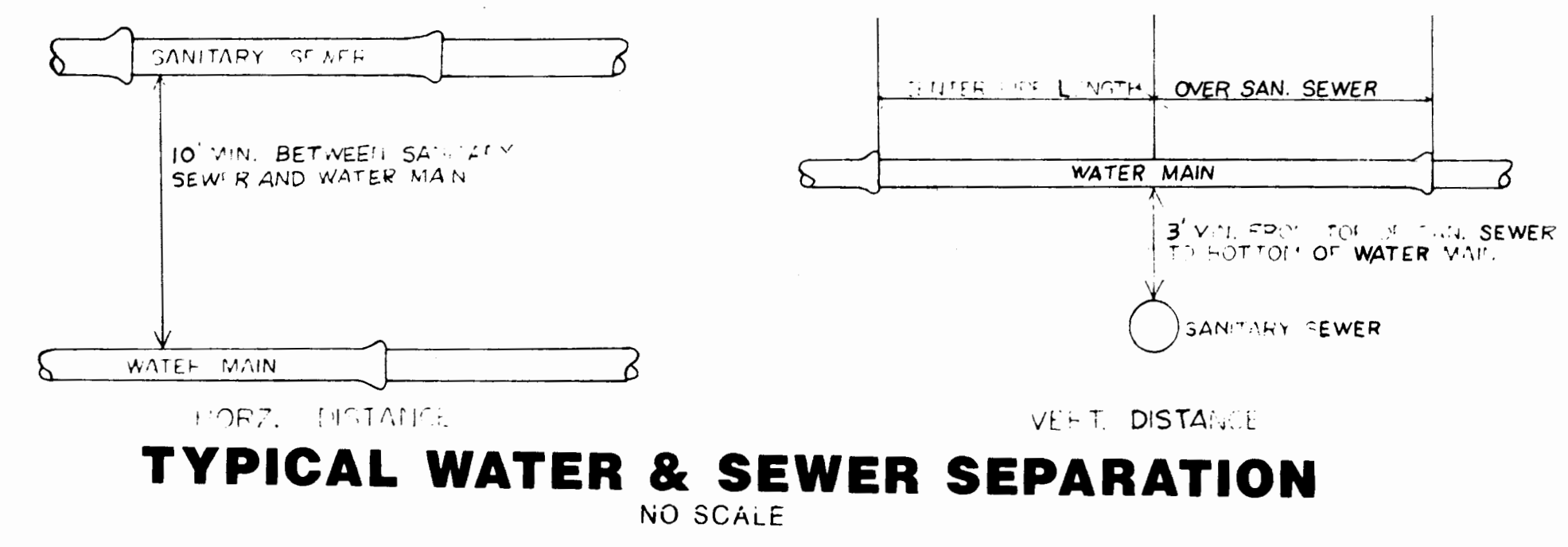
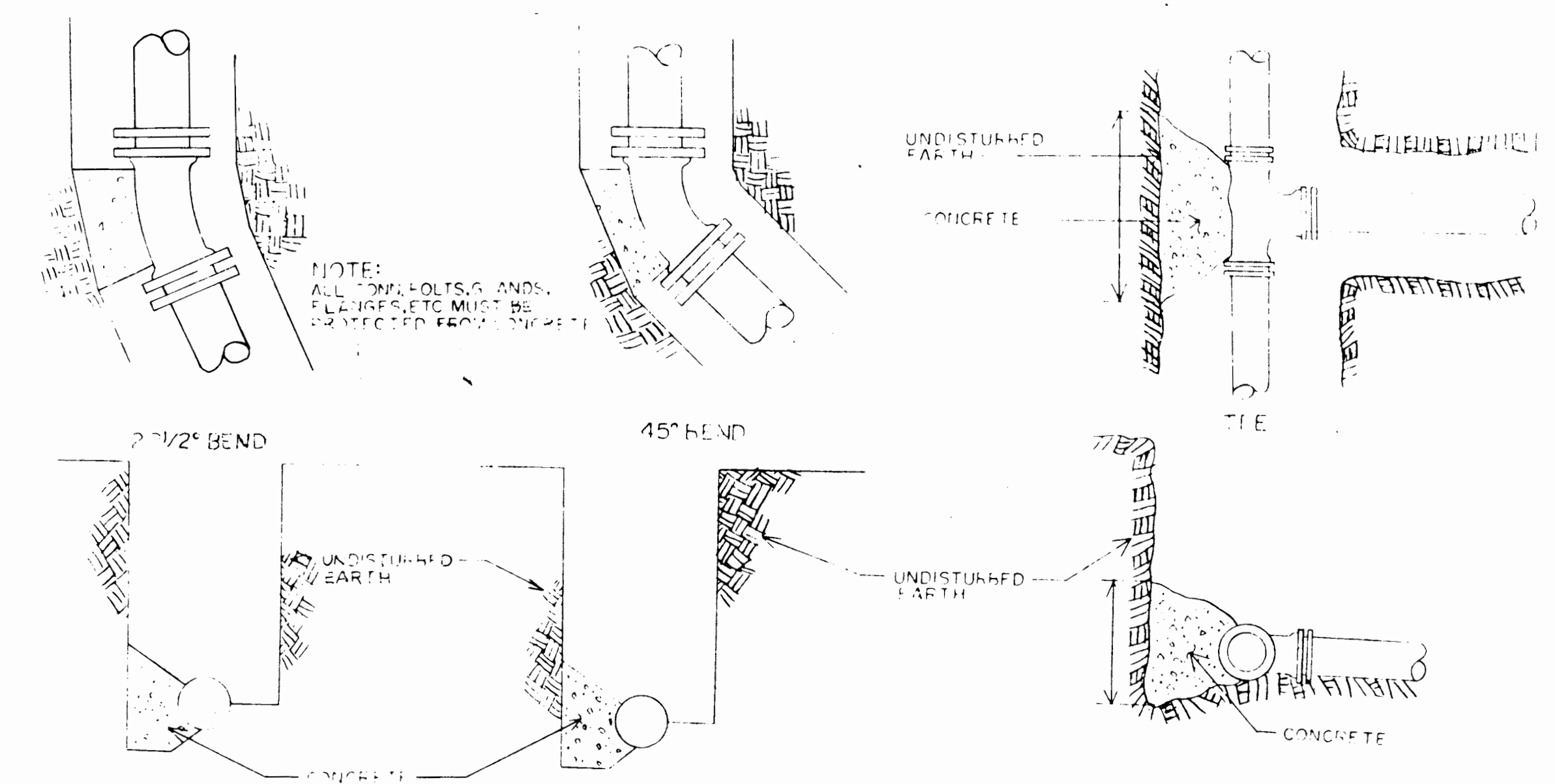
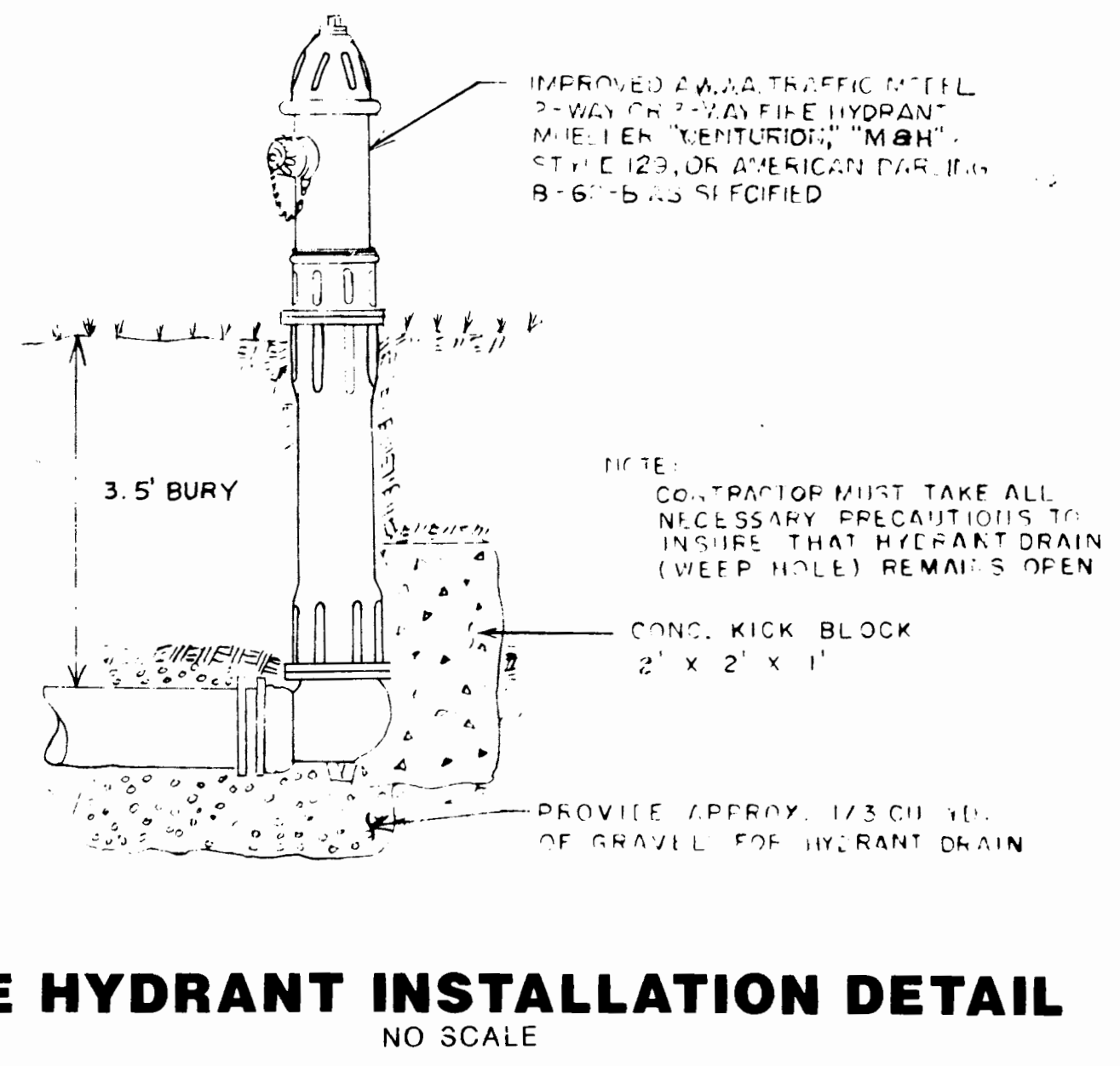
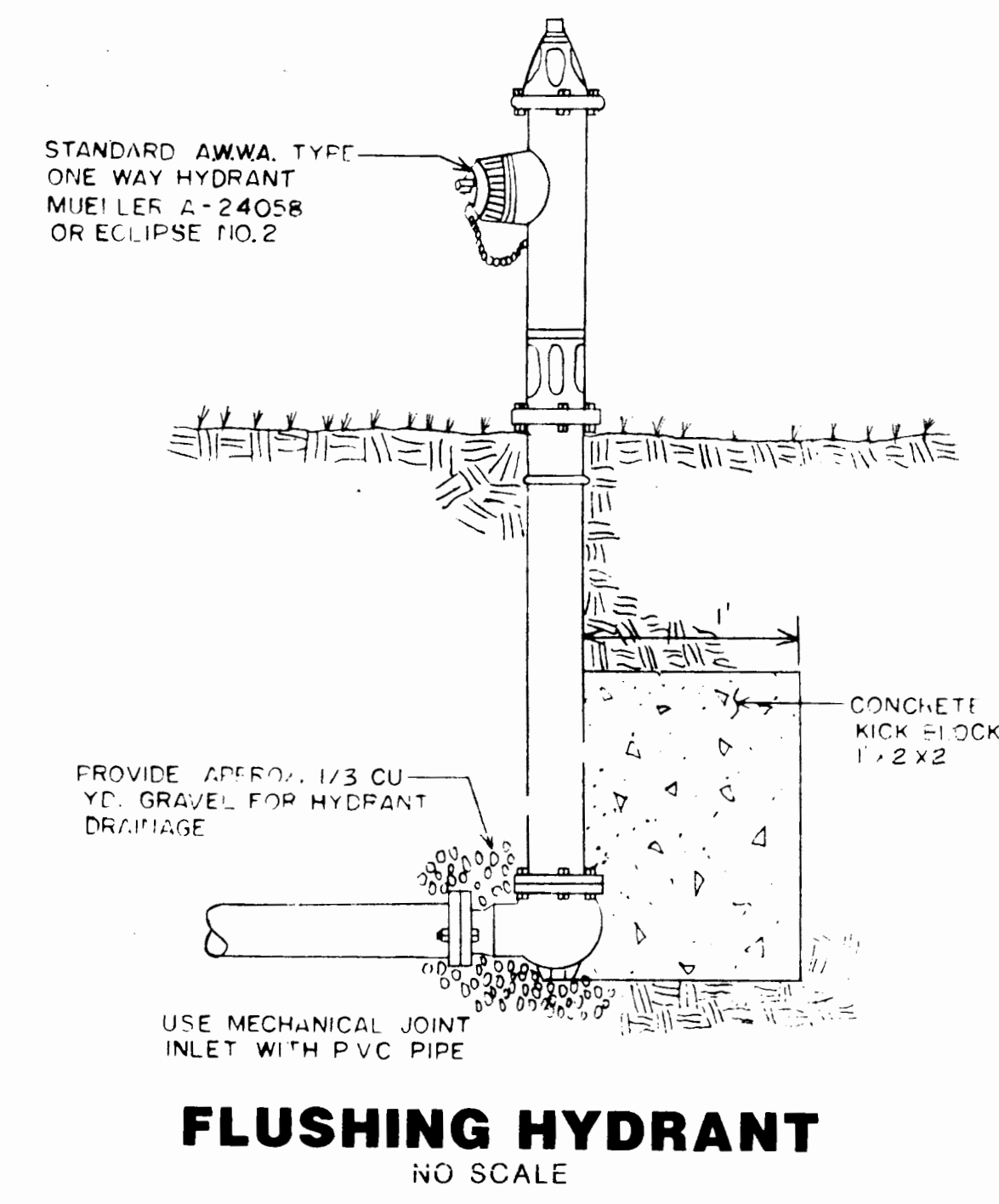


GATE VALVE W / THRUST BLOCK DETAIL
NO SCALE

TYPICAL WATER MAIN INSTALLATION DETAILS
NO SCALE



MAIN SIZE (D. IN INCHES)	THRUST BLOCK BEARING DIMENSIONS TO BEAR AGAINST UNDISTURBED EARTH				
	45° BEND	2 1/2° BEND	TEE	VALVE	CROSS
2"	.5' x 1'	.5' x 1'	.5' x 1'	.5' x 1'	.5' x 1'
4"	1' x 1'	1' x 1'	2' x 1'	2' x 1'	1' x 1'
6"	1.5' x 1'	1' x 1'	2' x 1'	2' x 1'	1' x 1.5'
8"	2' x 1'	1' x 1'	2' x 2.5'	2' x 2'	1' x 1.5'
10"	2' x 2.5'	1.5' x 2'	2' x 3.5'	2' x 3'	2' x 2'
12"	2' x 3.5'	1.5' x 2.5'	3' x 3.5'	3' x 3'	2' x 2'
16"	3' x 4'	2' x 3'	4' x 4.5'	3' x 4.5'	3' x 3.5'

16
17

ST. CHARLES COUNTY
PUBLIC WATER SUPPLY DISTRICT
NO. 2

Revised from Drawing by: COCHRAN ENGINEERING COMPANY WASHINGTON, MISSOURI

APPROVED:

TYPICAL WATER INSTALLATION DETAILS

DATE	SCALE	SHEET NO.	REVISIONS
FEB. 88	AS SHOWN		