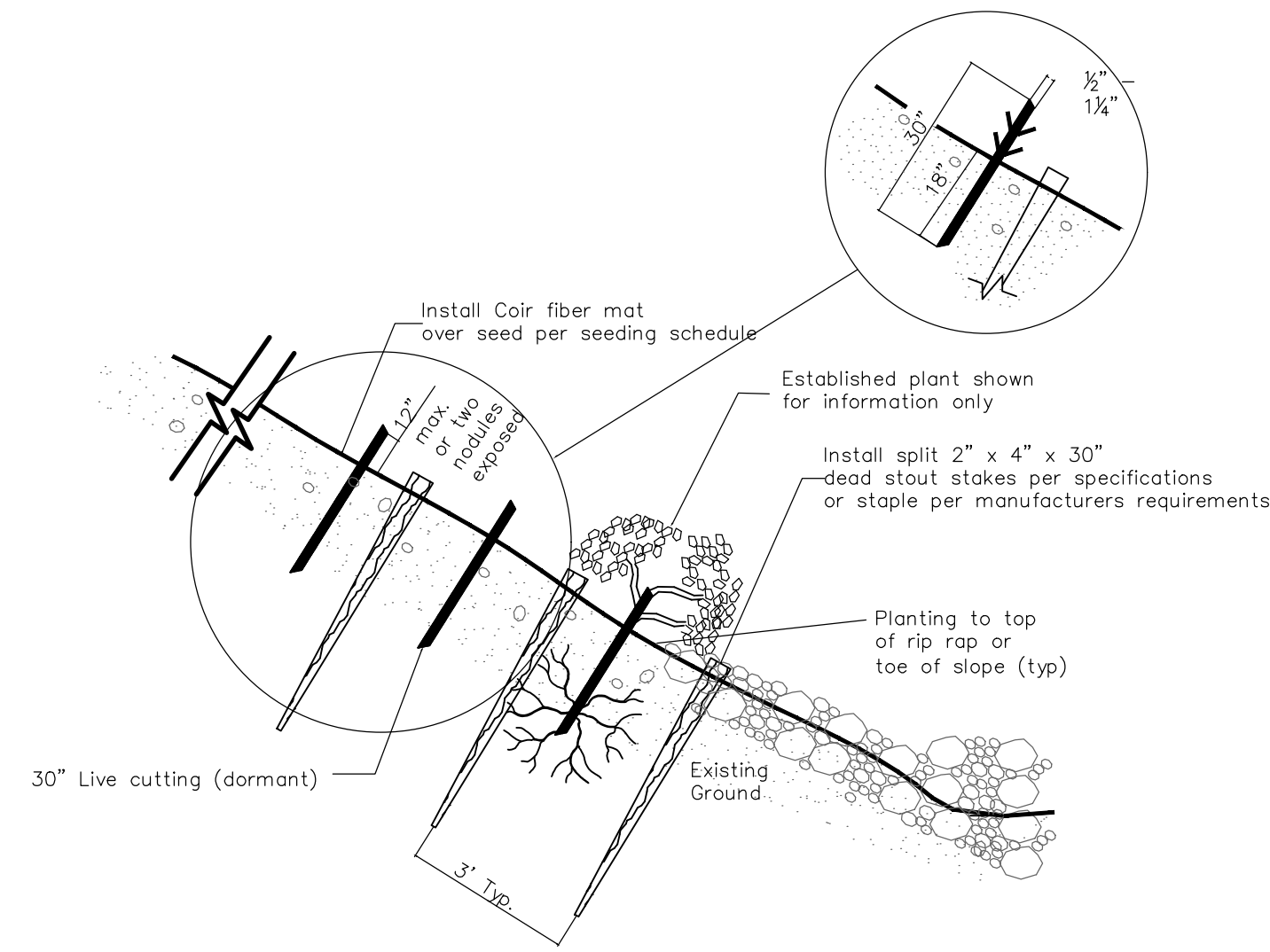
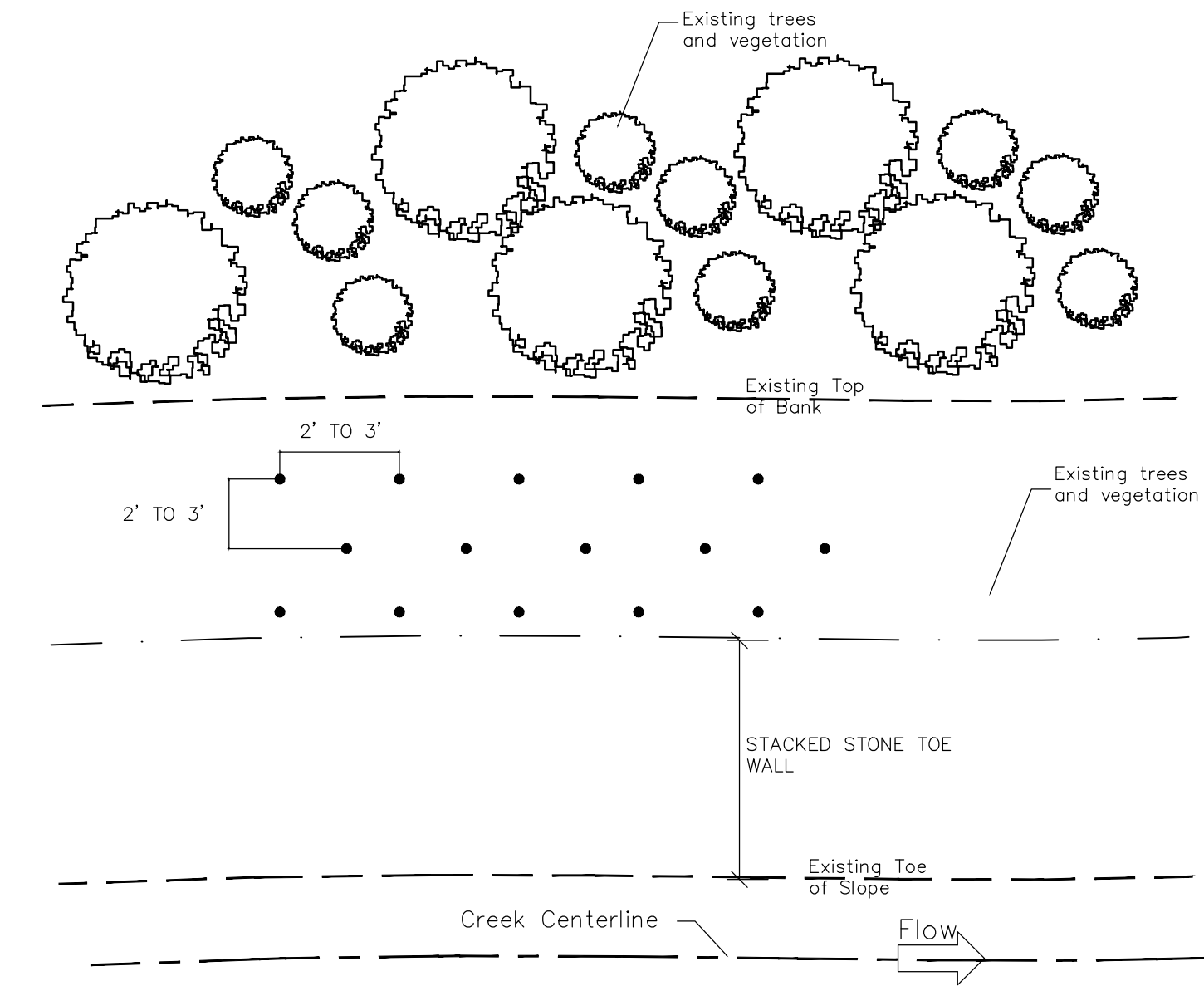


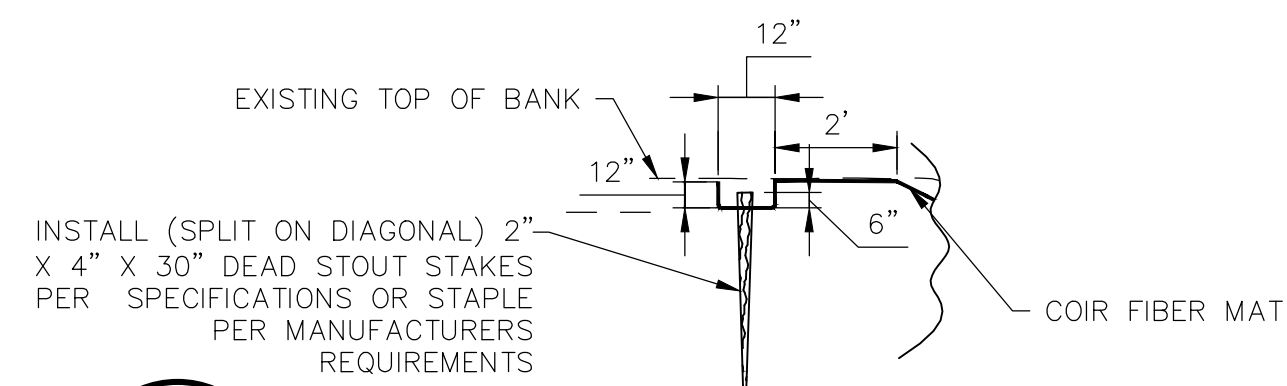
3
D-2 **BANK STABILIZATION TYPE 1**
NO SCALE



4
D-2 **LIVE STAKE DETAIL**
NO SCALE



5
D-2 **PATTERN FOR LIVE STAKING**
NO SCALE



6
D-2 **COIR FABRIC ANCHOR DETAIL (TOP OF BANK)**
NO SCALE

 m3 ENGINEERING GROUP, PC 43 ENGINEERING GROUP, PC 911 WASHINGTON AVE, SUITE 020 SAINT LOUIS, MISSOURI 63101 PH: (314) 556-0600	REV.	DATE	DESCRIPTION	BY
	CITY OF O'FALLON			
Engineer Seal STATE OF MISSOURI MICHAEL SEAN MARTIN NUMBER PE-2008002186 PROFESSIONAL ENGINEER Date 2/28/2018 MICHAEL SEAN MARTIN, P.E. PROFESSIONAL ENGINEER P.E. No. PE-2008002186 Date 2/28/2018	COACHMAN WAY STREAM IMPROVEMENTS CITY OF O'FALLON, MISSOURI ST. CHARLES COUNTY, MISSOURI			
	Designed	MSM	Date	SEP 2018
Drawn	SLW	Sheet No	12 of 12	
Checked	TDW			