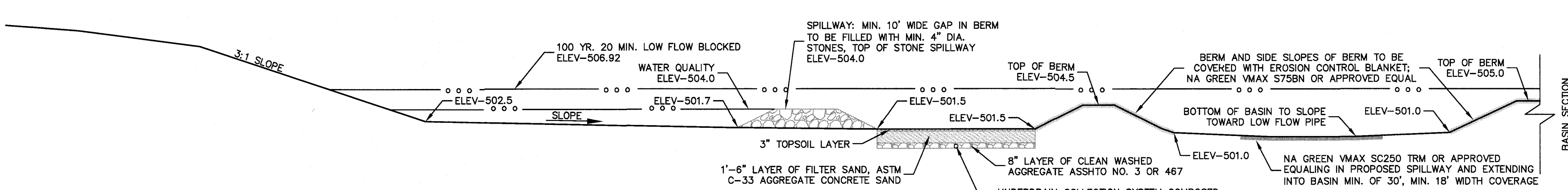
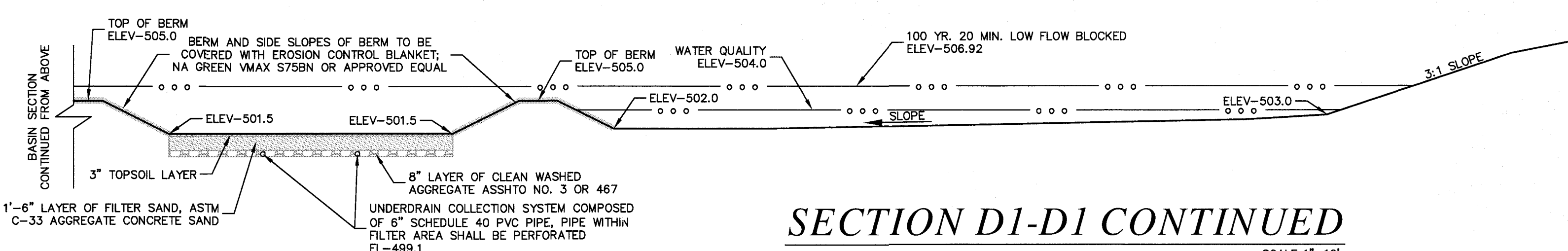


ISSUE	REMARKS/DATE
1	3-21-17 INITIAL SUBMITTAL
2	6-5-17 REVISED PER CITY COMMENTS
3	7-20-17 REVISED PER CITY COMMENTS
4	8-7-17 APPROVAL

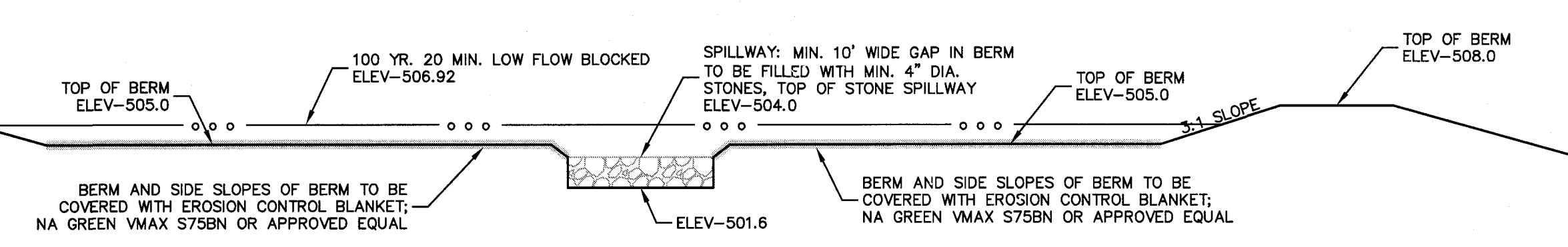
SECTION D1-D1
SCALE: 1"=10'



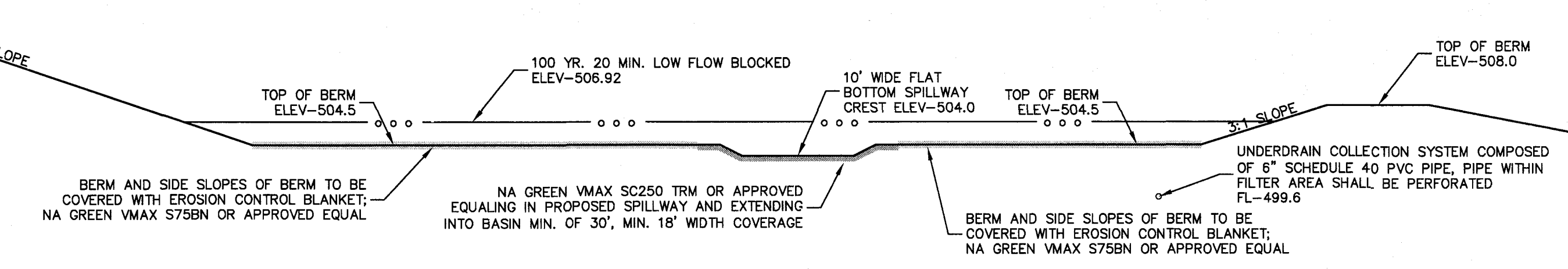
SECTION D1-D1 CONTINUED
SCALE: 1"=10'



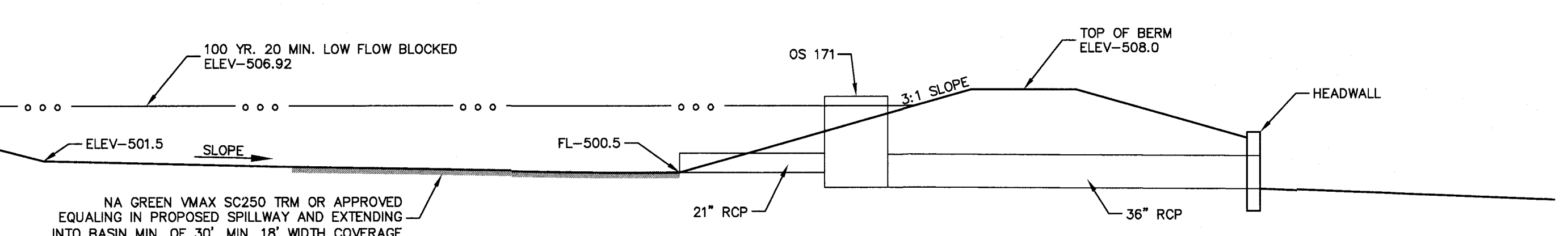
SECTION D2-D2
SCALE: 1"=10'



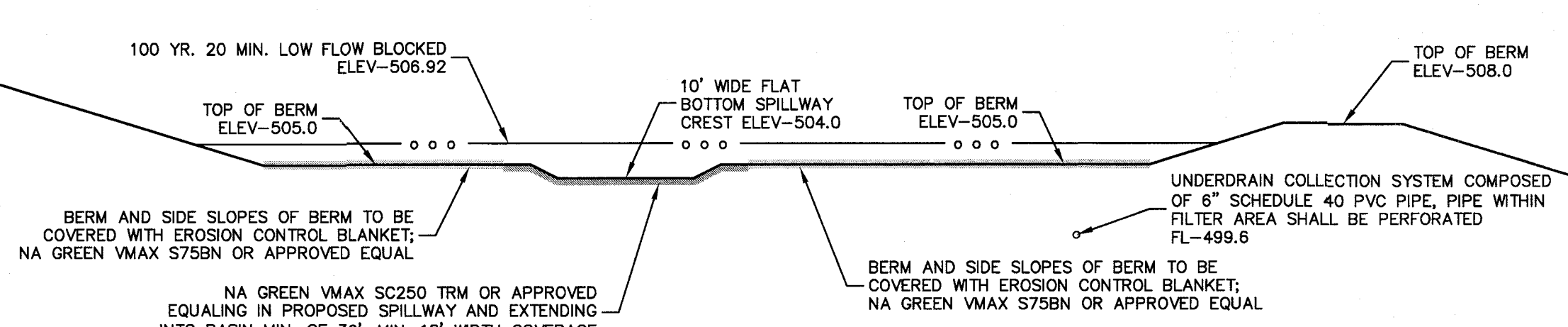
SECTION D3-D3
SCALE: 1"=10'



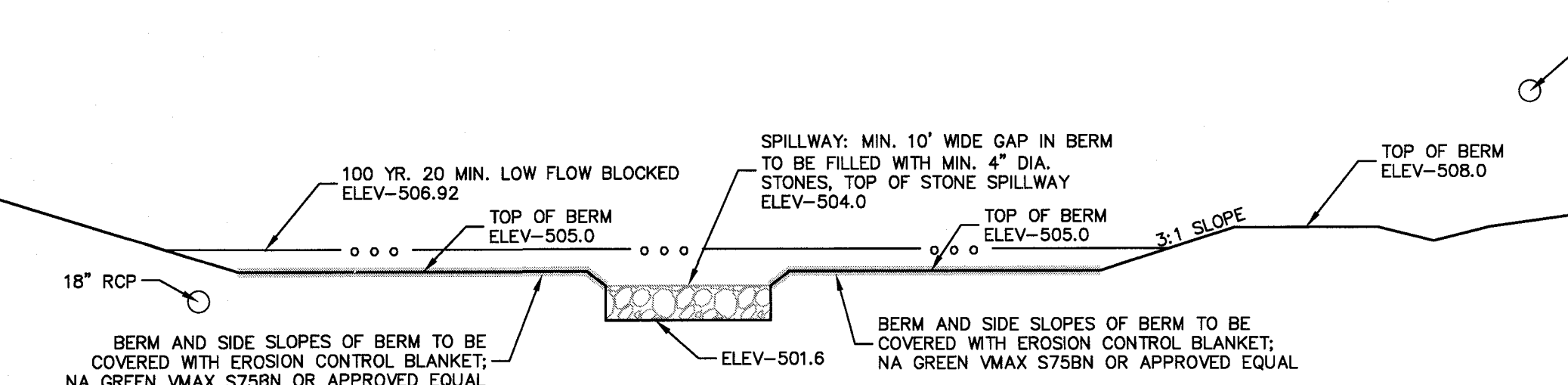
SECTION D4-D4
SCALE: 1"=10'



SECTION D5-D5
SCALE: 1"=10'



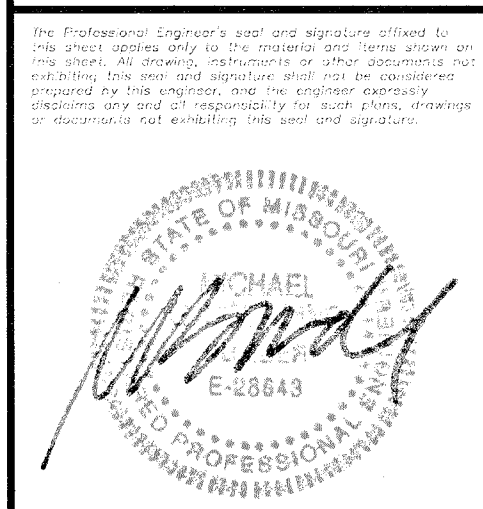
SECTION D6-D6
SCALE: 1"=10'



PROJECT TITLE

COBBLESTONE CROSSING
OF FALLON, MISSOURI

THE STERLING CO.
ENGINEERS & SURVEYORS
5055 New Baumgartner Road
St. Louis, Missouri 63129
Ph 314-487-0440 Fax 314-487-8944
www.sterling-eng-survey.com
Corporate Certificate of Authority #001348



Date: 8/7/2017
Michael G. Boerding
License No. MO E-28643
Civil Engineer

McBRIDE HYLAND GREEN, LLC
16091 SWINGLEY RIDGE ROAD, SUITE 300
CHESTERFIELD, MISSOURI 63017
Ph. 636-537-2000
Fax 636-537-2546
www.mcbridehomes.com

BASIN D

P+Z No. 29-16.01
City No.
Date: Aug. 7, 2017
Job No. 16-08-239
Page No.

10.10
IMP

Drawing name: V:\1608239 Dimesa Park\Drawings\Engineering\Improvements\239 Imp.dwg Plotted on: Aug 07, 2017 - 3:17pm Plotted by: jmliner