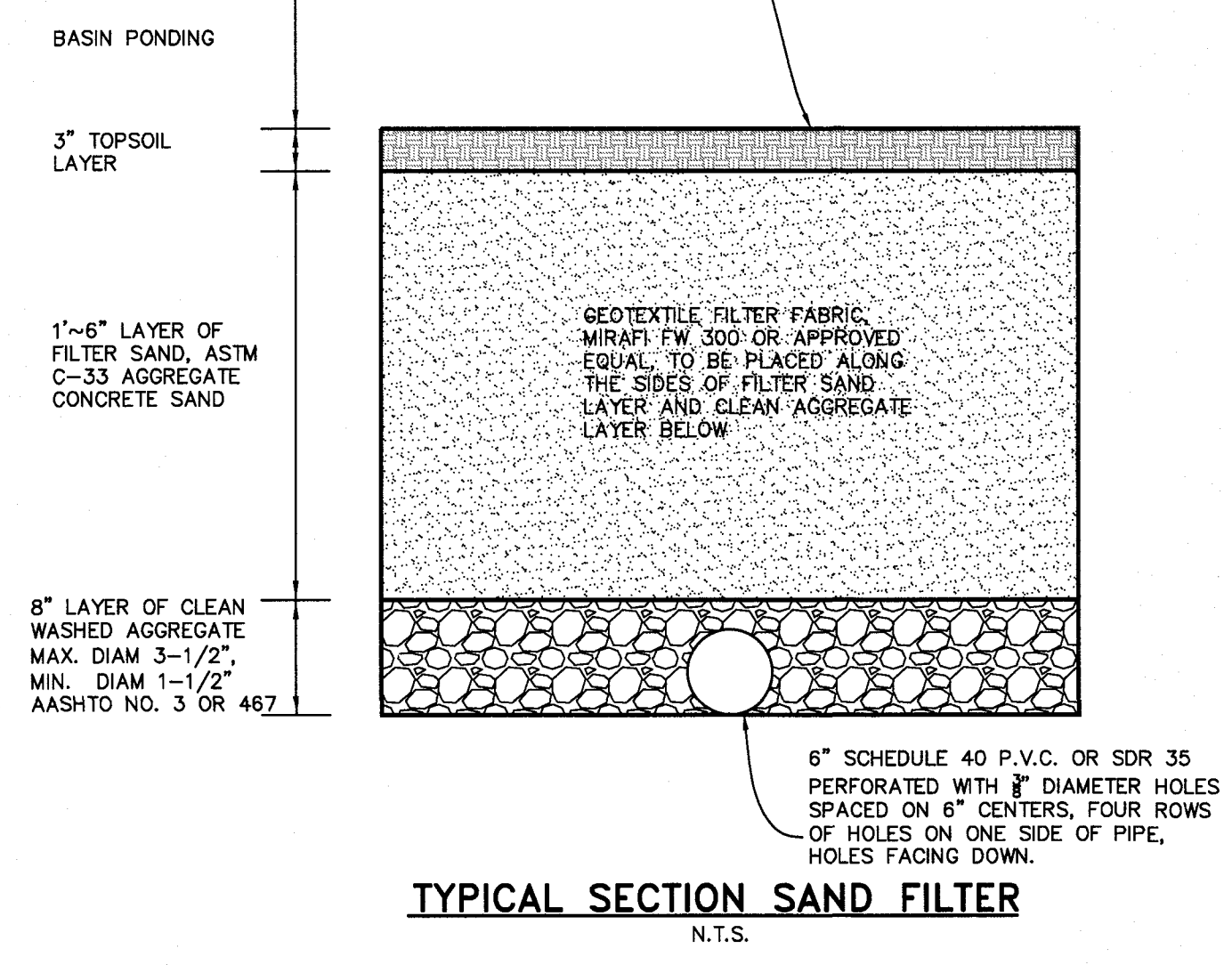
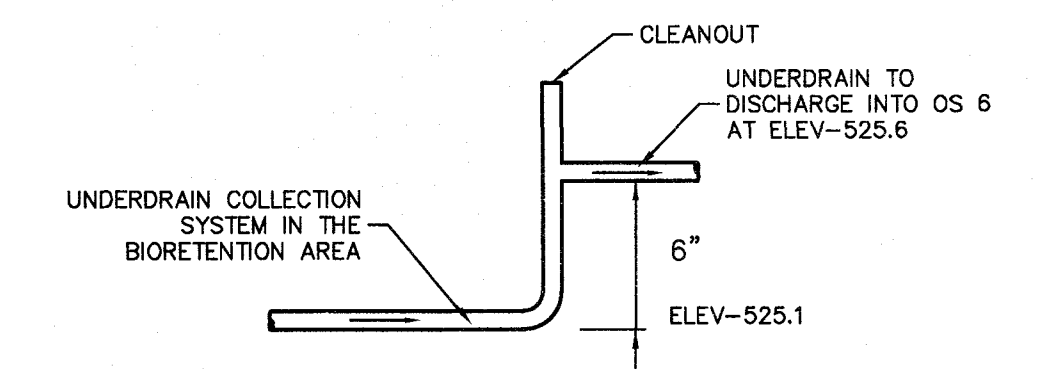


BASIN E
SCALE: 1"=20'

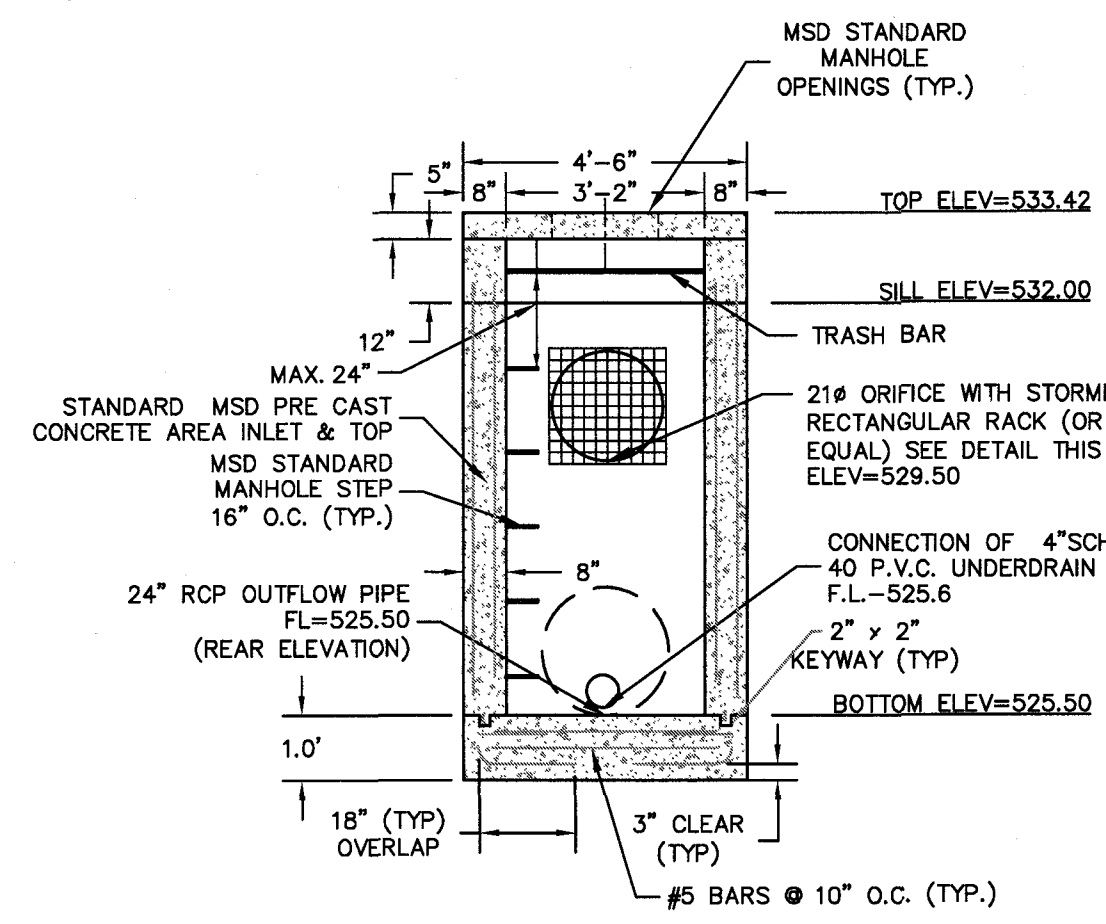
ISSUE	REMARKS/DATE
1	3-21-17 INITIAL SUBMITTAL
2	6-6-17 REVISED PER CITY COMMENTS
3	7-20-17 REVISED PER CITY COMMENTS
4	8-7-17 APPROVAL



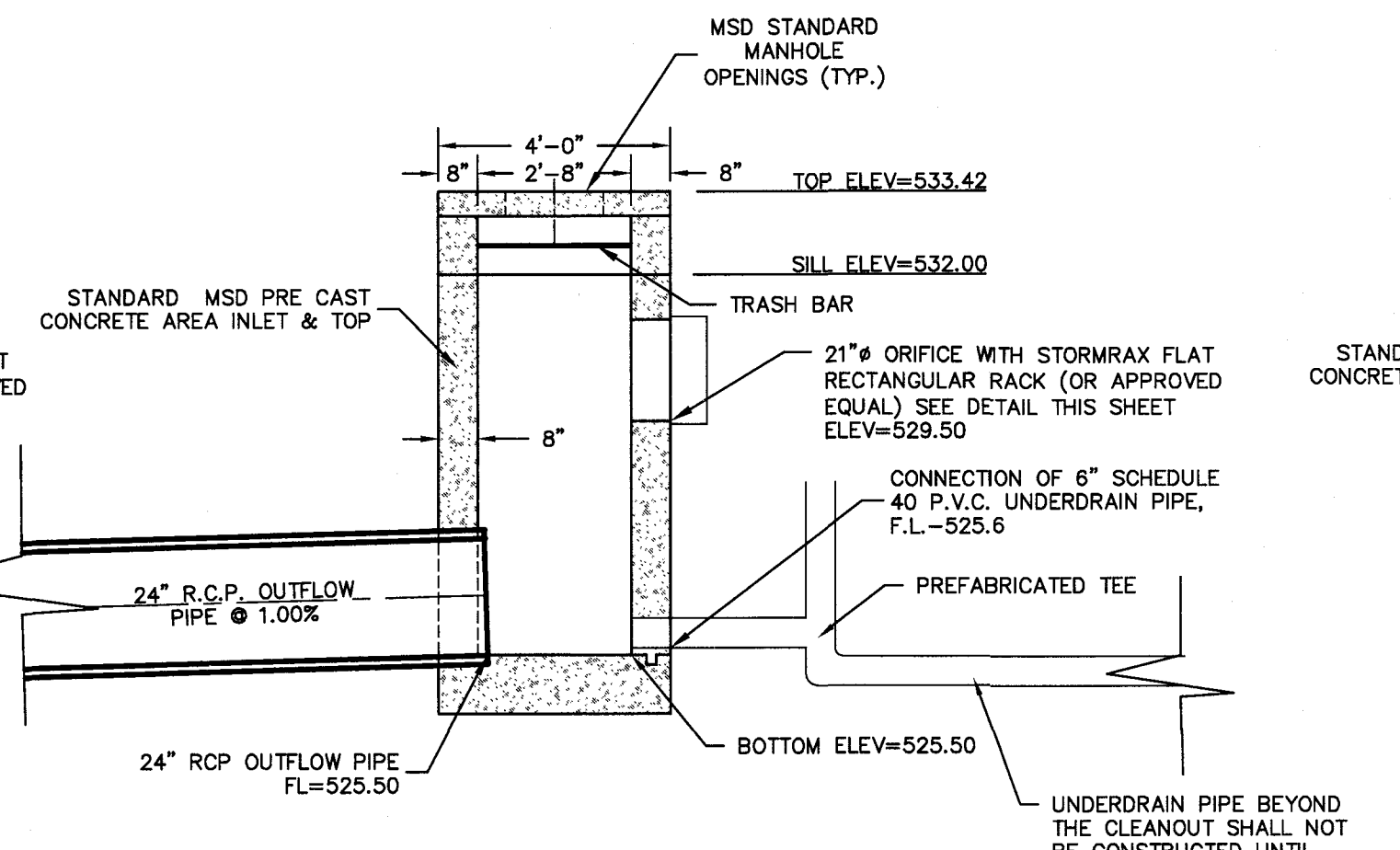
TYPICAL SECTION SAND FILTER
N.T.S.



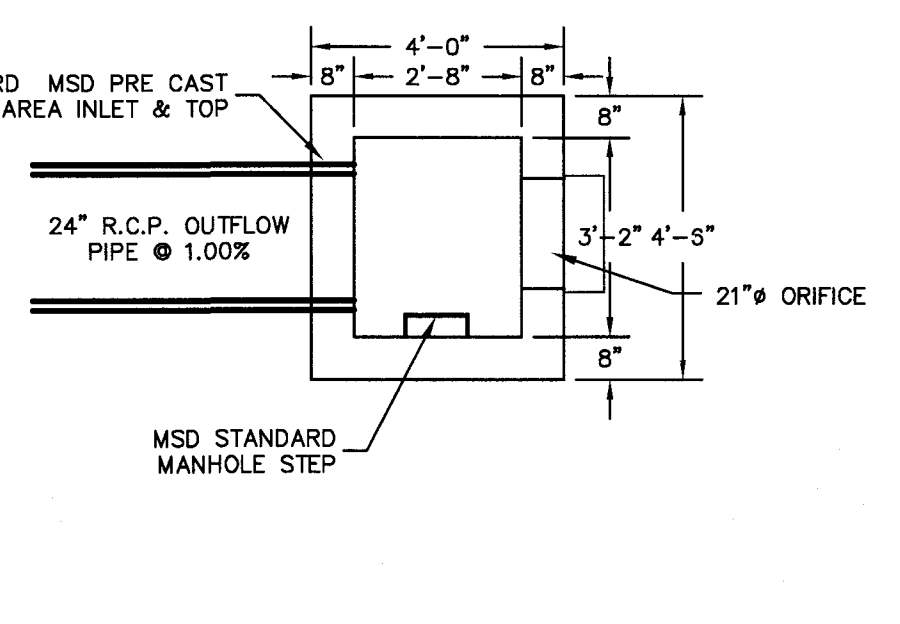
VERTICAL ELBOW UNDERDRAIN DETAIL



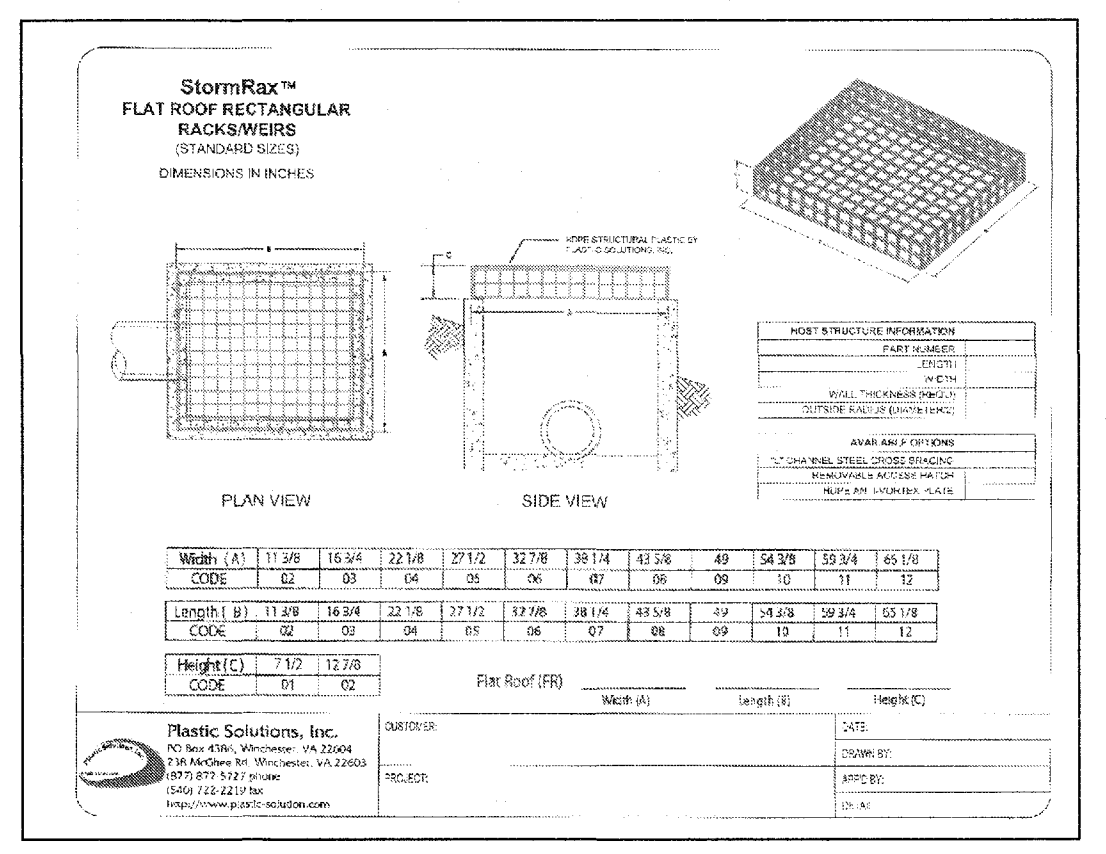
OUTFALL STRUCTURE #213 (BASIN 'E') FRONT VIEW
1"=3'



OUTFALL STRUCTURE #213 (BASIN 'E') SIDE VIEW
1"=3'

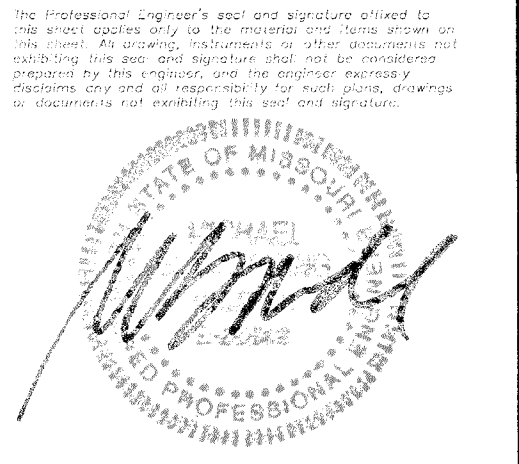


OUTFALL STRUCTURE #213 (BASIN 'E') PLAN VIEW
1"=3'



PROJECT TITLE
COBBLESTONE CROSSING
OF FALLON, MISSOURI

THE STERLING CO.
ENGINEERS & SURVEYORS
5065 New Baumgartner Road
St. Louis, Missouri 63128-8944
Ph 314 991-8944
www.sterling-es.com
Corporate Certificate of Authority #0011348



Date: 8/7/2017
Michael G. Boerding
License No. MO E-28643
Civil Engineer

McBRIDE HYLAND GREEN, LLC
16091 SWINGLEY RIDGE ROAD, SUITE 300
CHESTERFIELD, MISSOURI 63017
Ph: 636-537-2000
Fax: 636-537-2546
www.mcbridehomes.com

P+Z No. 29-16-01
City No.
Date: Aug 7, 2017
Job No. 16-08-239

Page No.
10.11