

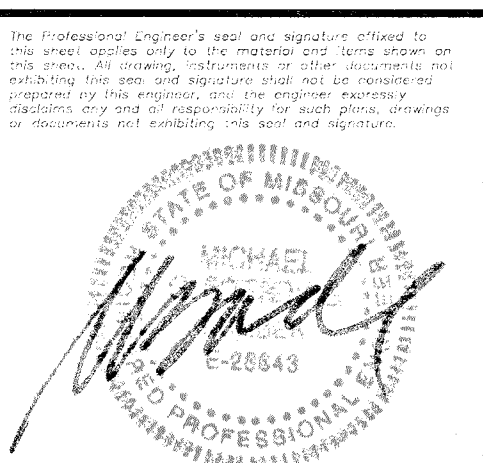
ISSUE	REMARKS/DATE
1	3-21-17 INITIAL SUBMITTAL
2	6-6-17 REVISED PER CITY COMMENTS
3	7-20-17 REVISED PER CITY COMMENTS
4	8-7-17 APPROVAL

PROJECT TITLE

**COBBLESTONE CROSSING**  
OF FALLON, MISSOURI

**THE STERLING CO.**  
ENGINEERS & SURVEYORS

5055 New Baumgartner Road  
St. Louis, MO 63112  
Ph 314-487-0400 Fax 314-877-8944  
www.sterling-eng.sur.com  
Corporate Certificate of Authority #001348



Date: 8/7/2017  
Michael G. Boerding  
License No. MO E-28643  
Civil Engineer

**MCBRIDE HYLAND GREEN, LLC**  
16091 SWINGLEY RIDGE ROAD, SUITE 300  
CHESTERFIELD, MISSOURI 63017  
Ph: 636-537-2000  
Fax: 636-537-2546  
www.mcbriدهomes.com

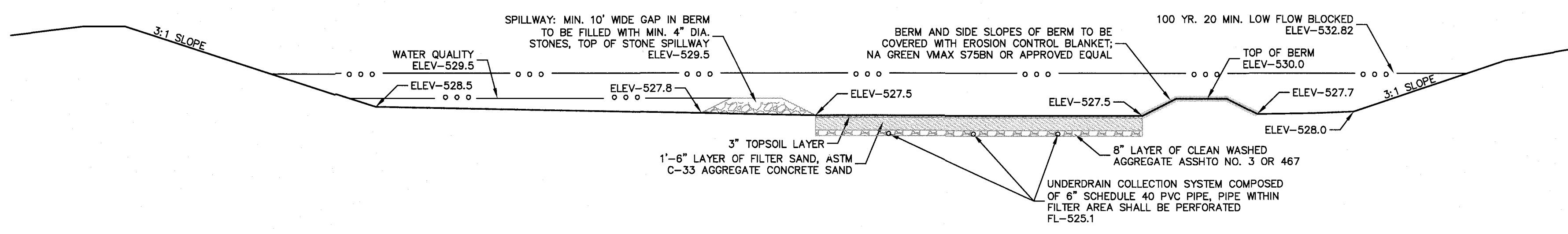
BASIN E

P+Z No. 29-16.01  
City No.  
Date: Aug. 7, 2017  
Job No. 16-08-239

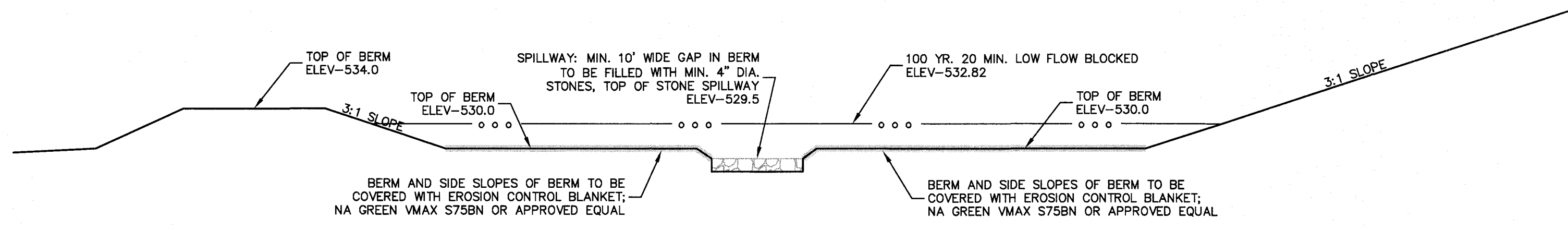
Page No.  
**10.12**

IMP

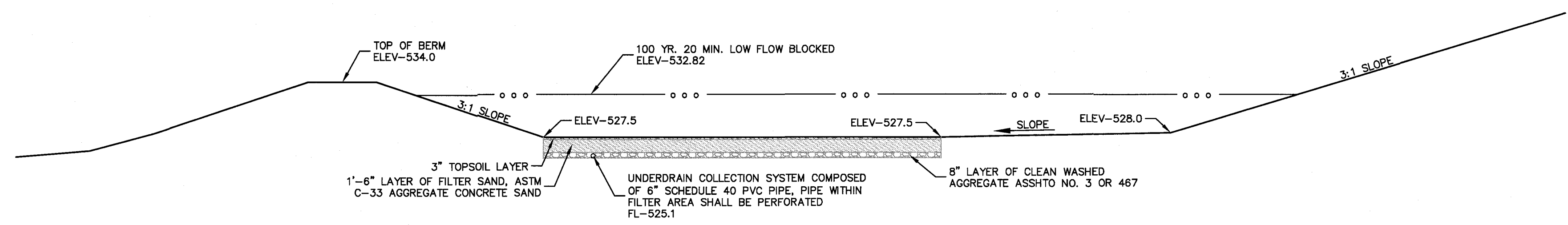
Drawing name: V:\1608239 Dames & Moore\Drawings\Engineering\Improvements\1608239 Imp.dwg Plotted on: Aug 07, 2017 - 3:17pm Plotted by: jmliner



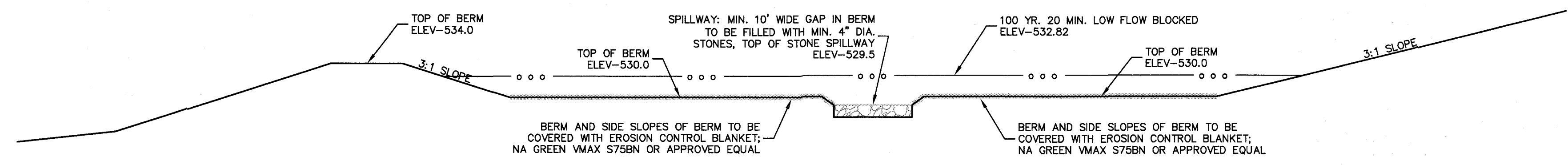
**SECTION E1-E1**  
SCALE: 1"=10'



**SECTION E2-E2**  
SCALE: 1"=10'



**SECTION E3-E3**  
SCALE: 1"=10'



**SECTION E4-E4**  
SCALE: 1"=10'