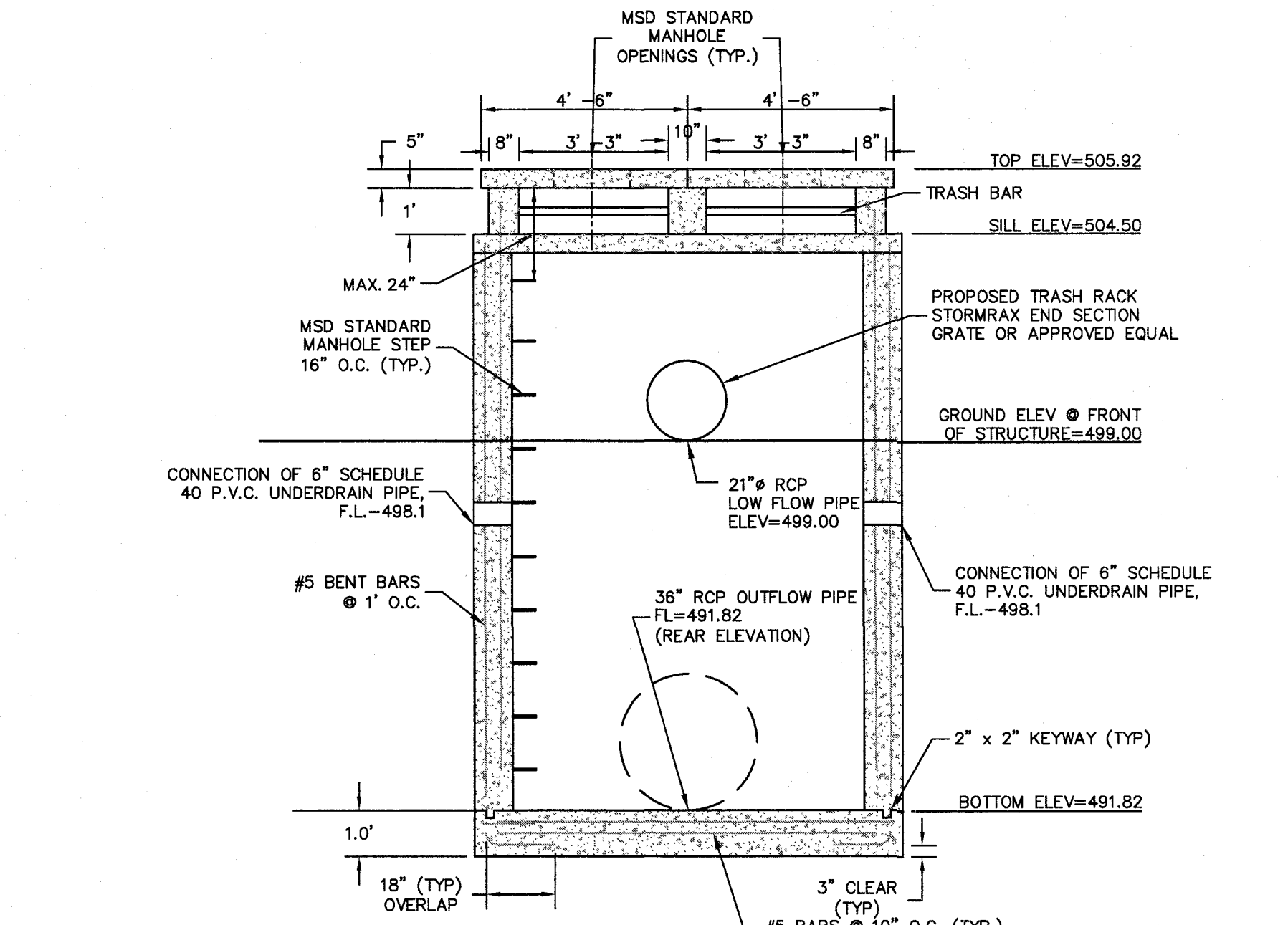
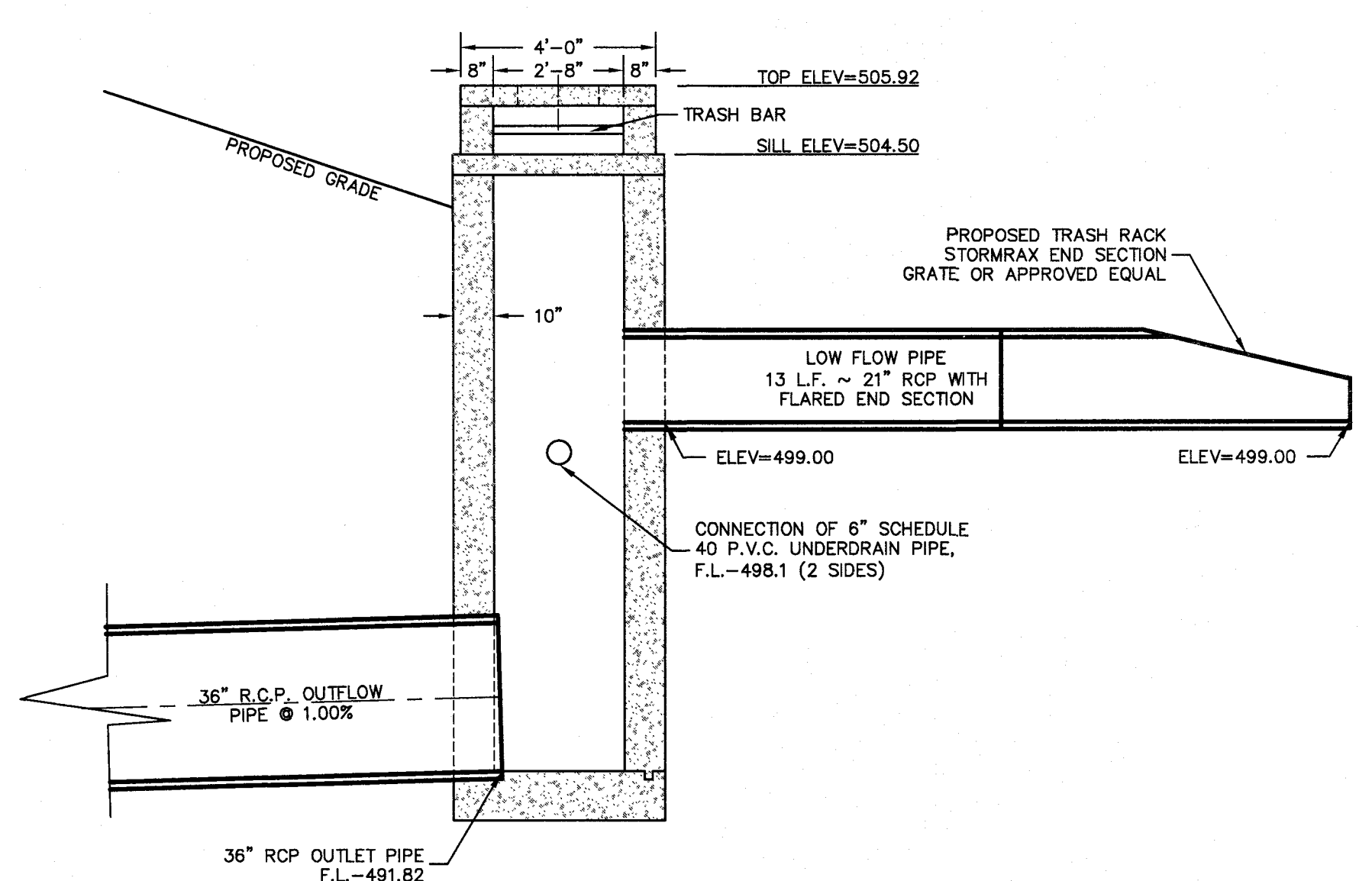


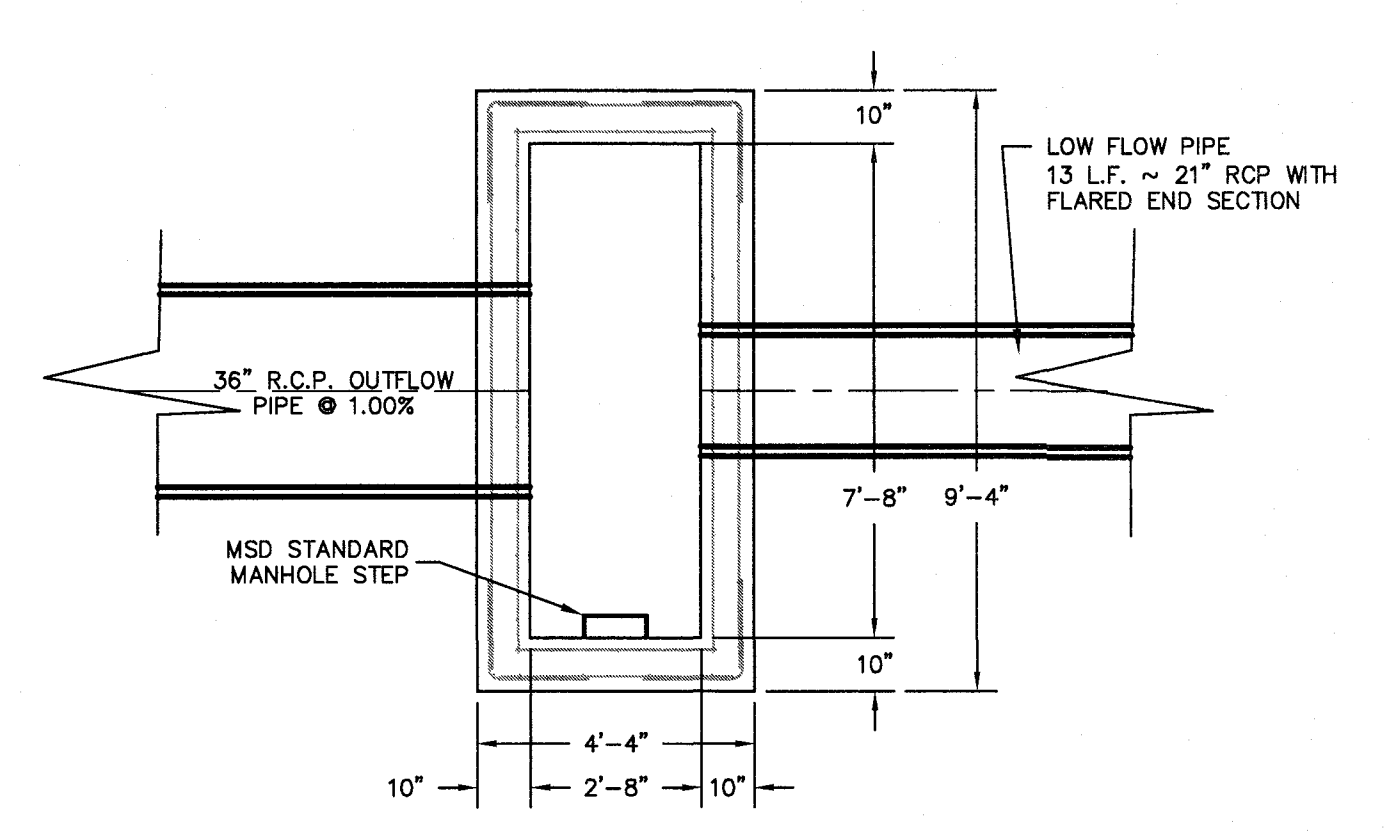
ISSUE REMARKS/DATE	
1	3-21-17 INITIAL SUBMITTAL
2	6-5-17 REVISED PER CITY COMMENTS
3	7-20-17 REVISED PER CITY COMMENTS
4	8-7-17 APPROVAL



**OUTFALL STRUCTURE #6 (BASIN 'A')**  
FRONT VIEW  
1"=3'

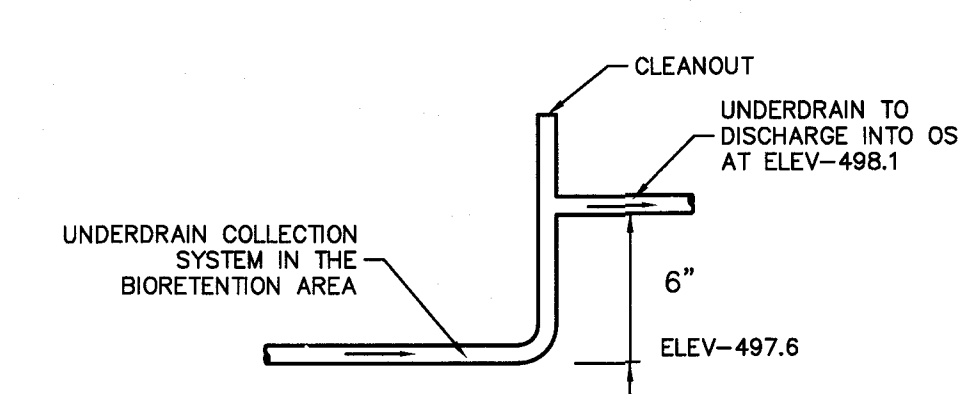


**OUTFALL STRUCTURE #6 (BASIN 'A')**  
SIDE VIEW  
1"=3'

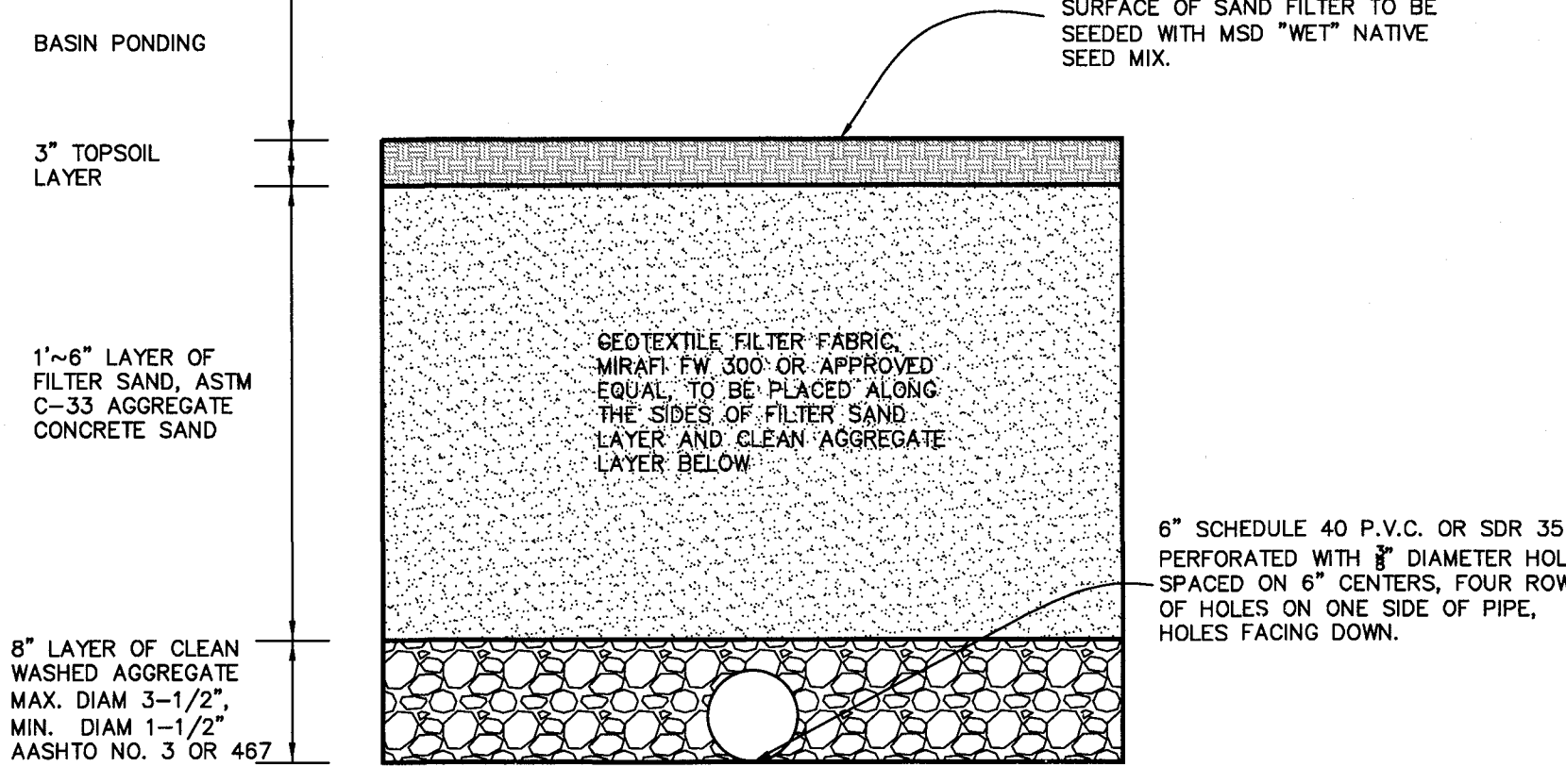


**OUTFALL STRUCTURE #6 (BASIN 'A')**  
PLAN VIEW  
1"=3'

**BASIN A**  
SCALE: 1"=20'



**VERTICAL ELBOW UNDERDRAIN DETAIL**

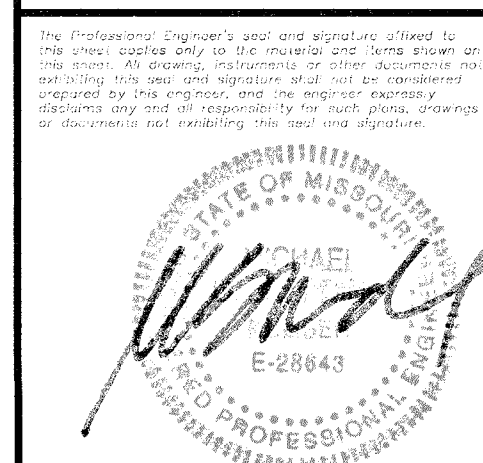


**TYPICAL SECTION SAND FILTER**  
N.T.S.

PROJECT TITLE

**COBBLESTONE CROSSING**  
OTALLON, MISSOURI

**THE STERLING CO.**  
ENGINEERS & SURVEYORS  
5065 New Baumgartner Road  
St. Louis, Missouri 63129  
Ph 314-487-0440 Fax 314-487-8944  
www.sterling-eng-sur.com  
Corporate Certificate of Authority #001348



Date: 8/7/2017  
Michael G. Boerding  
License No. MO E-28643  
Civil Engineer

**McBRIDE HYLAND GREEN, LLC**  
16091 SWINGLEY RIDGE ROAD, SUITE 300  
CHESTERFIELD, MISSOURI 63017  
Ph. 636-537-2000  
Fax 636-537-2546  
www.mcbriehomes.com

BASIN A

P+Z No. 29-16.01  
City No.  
Date: Aug. 7, 2017  
Job No. 16-08-239

Page No.  
**10.1**

IMP

Drawing name: V:\1608239 Dames+Moore\Drawings\Improvements\29-16.01\16-08-239 Imp.dwg Plotted on: Aug 07, 2017 - 3:16pm Plotted by: mltmr