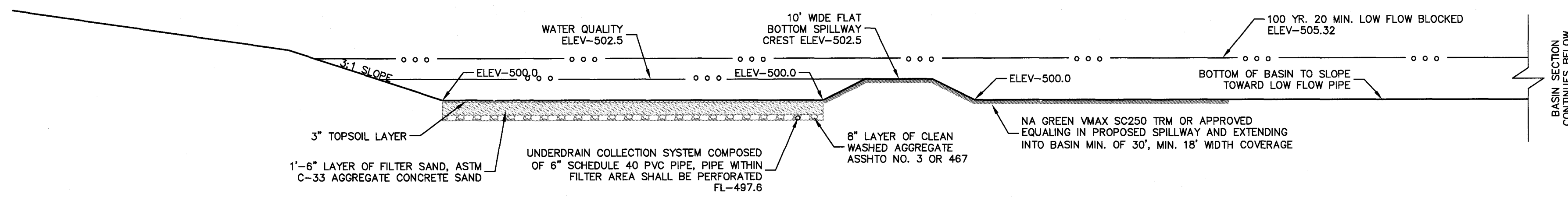
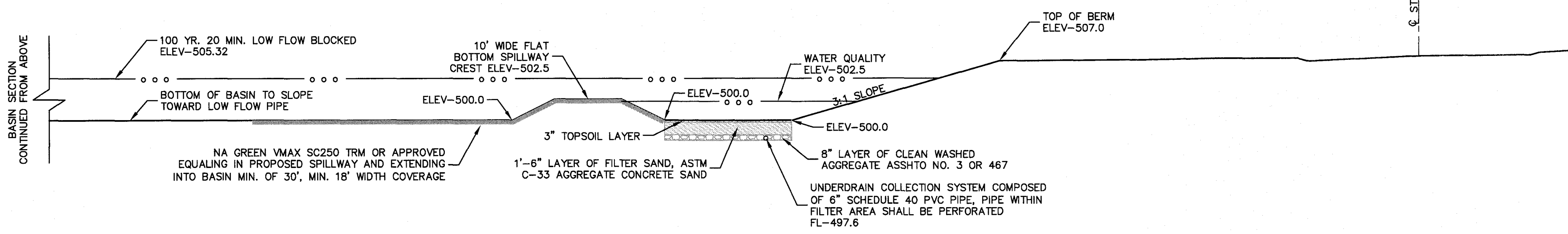


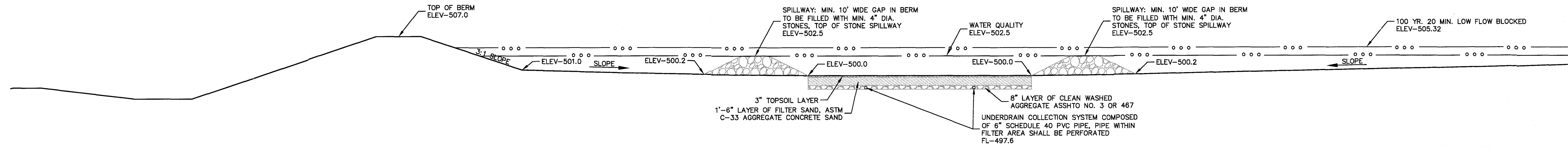
ISSUE	REMARKS/DATE
1	3-21-17 INITIAL SUBMITTAL
2	6-6-17 REVISED PER CITY COMMENTS
3	7-20-17 REVISED PER CITY COMMENTS
4	8-7-17 APPROVAL



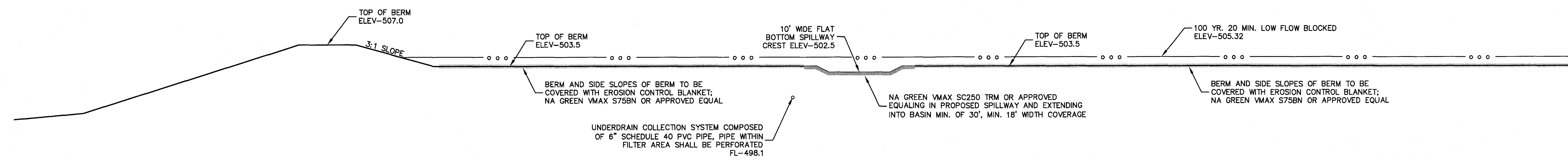
SECTION A1-A1
SCALE: 1"=10'



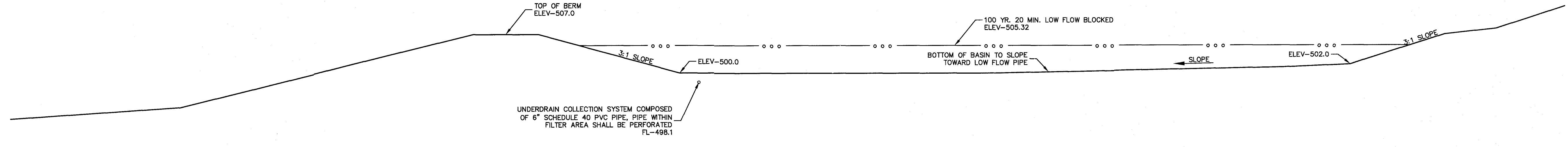
SECTION A1-A1 CONTINUED
SCALE: 1"=10'



SECTION A2-A2
SCALE: 1"=10'



SECTION A3-A3
SCALE: 1"=10'

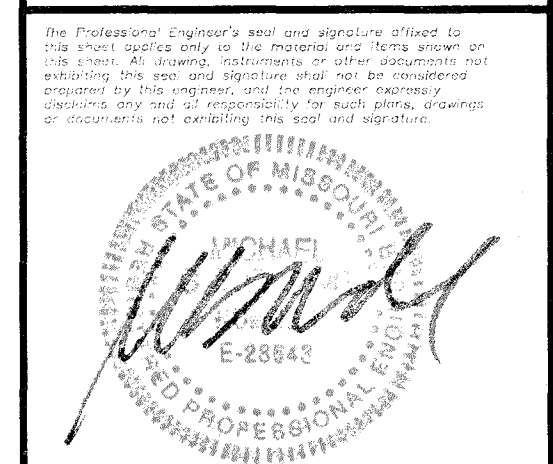


SECTION A4-A4
SCALE: 1"=10'

PROJECT TITLE

COBBLESTONE CROSSING
OF FALLON, MISSOURI

THE STERLING CO.
ENGINEERS & SURVEYORS
5055 New Baumgartner Road
St. Louis, Missouri 63114
Ph: 314-487-8844
www.sterling-eng-survey.com
Corporate Certificate of Authority #001348



Date: 8/7/2017
Michael G. Boerding
License No. MO E-28643
Civil Engineer

McBRIDE HYLAND GREEN, LLC
16091 SWINGLEY RIDGE ROAD, SUITE 300
CHESTERFIELD, MISSOURI 63017
Ph: 636-537-2000
Ph: 636-537-2546
www.mcbridehomes.com

BASIN A

P+Z No. 29-16.01
City No.
Date: Aug. 7, 2017
Job No. 16-08-239

Page No.
10.2

IMP

Drawing name: V:\1608239\Drawings\Engineering\Improvements\239 Imp.dwg Plotted on: Aug 07, 2017 - 3:16pm Plotted by: lmmr