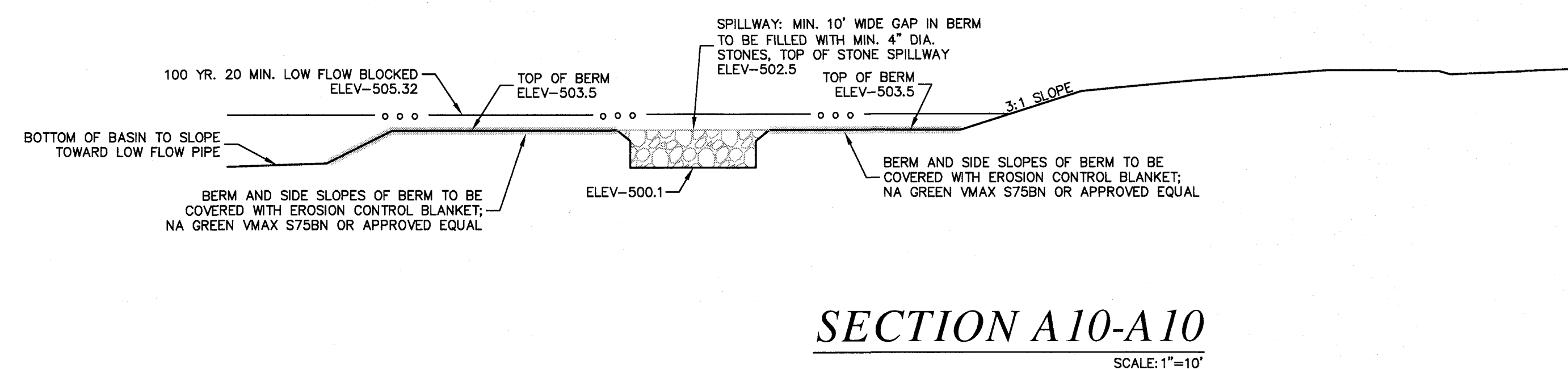
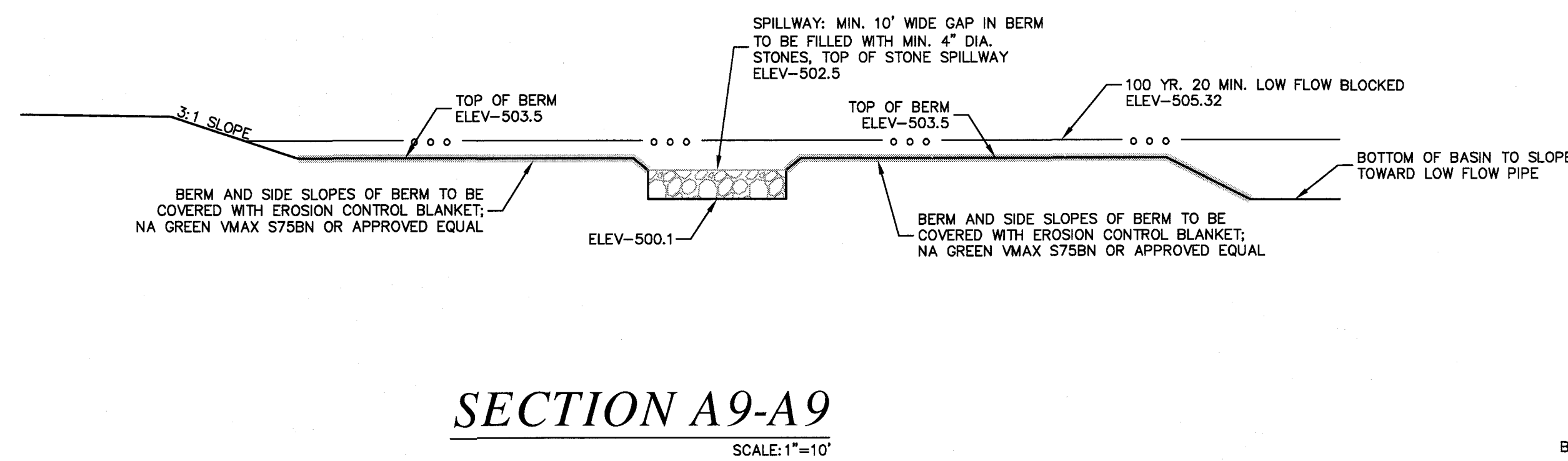
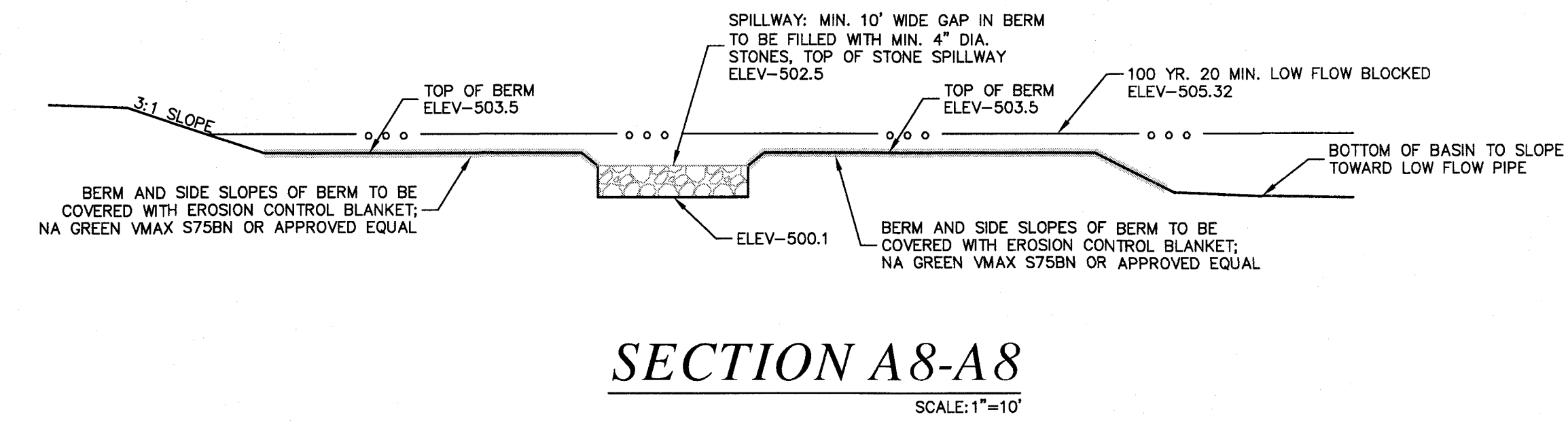
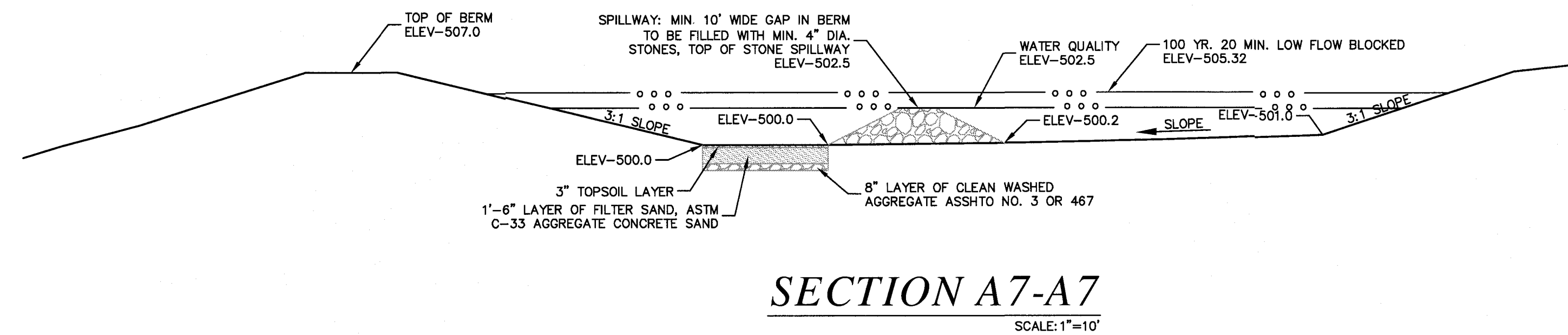
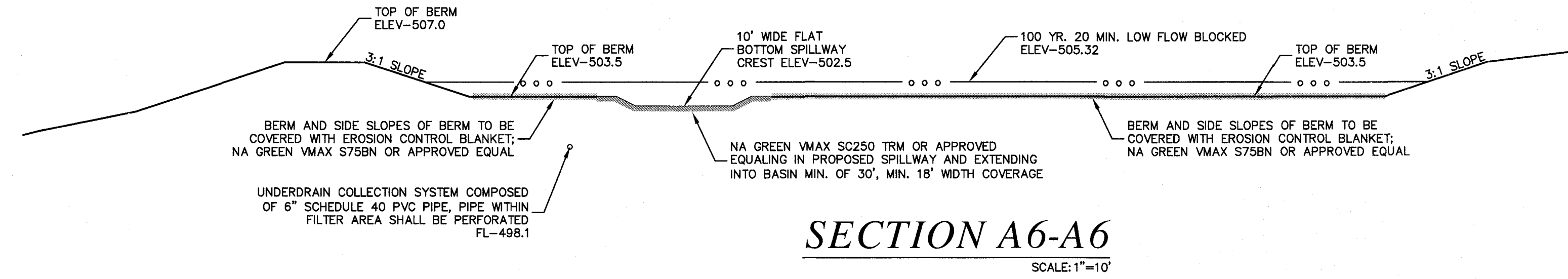
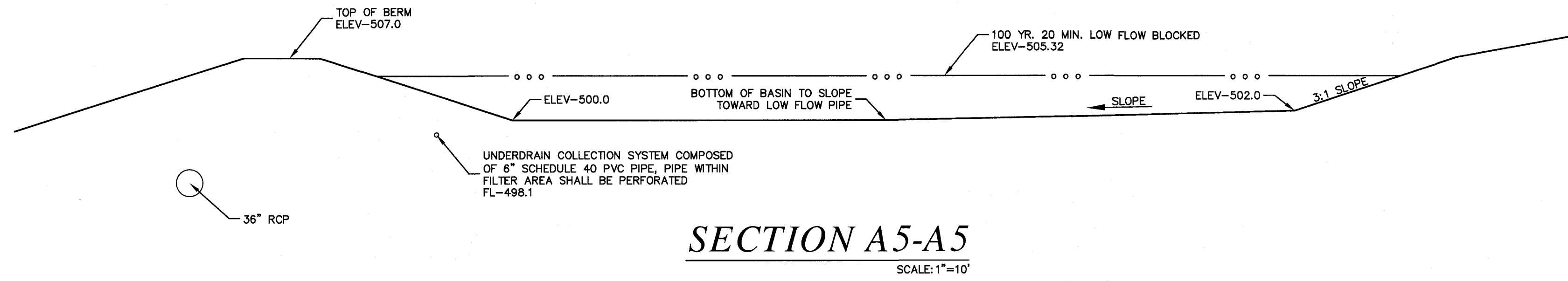


ISSUE	REMARKS/DATE
1	3-21-17 INITIAL SUBMITTAL
2	6-5-17 REVISED PER CITY COMMENTS
3	7-20-17 REVISED PER CITY COMMENTS
4	8-7-17 APPROVAL



PROJECT TITLE

**COBBLESTONE CROSSING**

OF FALLON, MISSOURI

**THE STERLING CO.**  
ENGINEERS & SURVEYORS

5065 New Baumgartner Road  
St. Louis, Missouri 63129  
Ph: 314-487-0440 Fax: 314-487-8944  
www.sterling-eng-sur.com  
Corporate Certificate of Authority #001348

The Professional Engineer's seal and signature are required on the sheet before any work is done. The seal and signature shall not be considered unless the work is done by the engineer or under the direct supervision of the engineer. The engineer is responsible for the work done on this sheet and for the accuracy of the information provided.



Date: 8/7/2017  
Michael G. Boering  
License No. MO E-28643  
Civil Engineer

**McBRIDE HYLAND GREEN, LLC**  
16091 SWINGLEY RIDGE ROAD, SUITE 300  
CHESTERFIELD, MISSOURI 63017  
Ph: 636-537-2000  
Fax: 636-537-2546  
www.mcbridehomes.com

BASIN A

P+Z No. 29-16.01  
City No.  
Date: Aug. 7, 2017  
Job No. 16-08-239

Page No.  
**10.3**

IMP