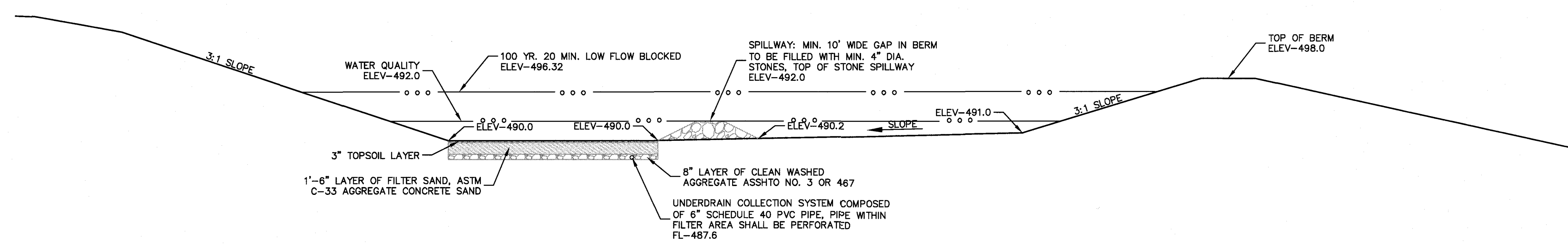
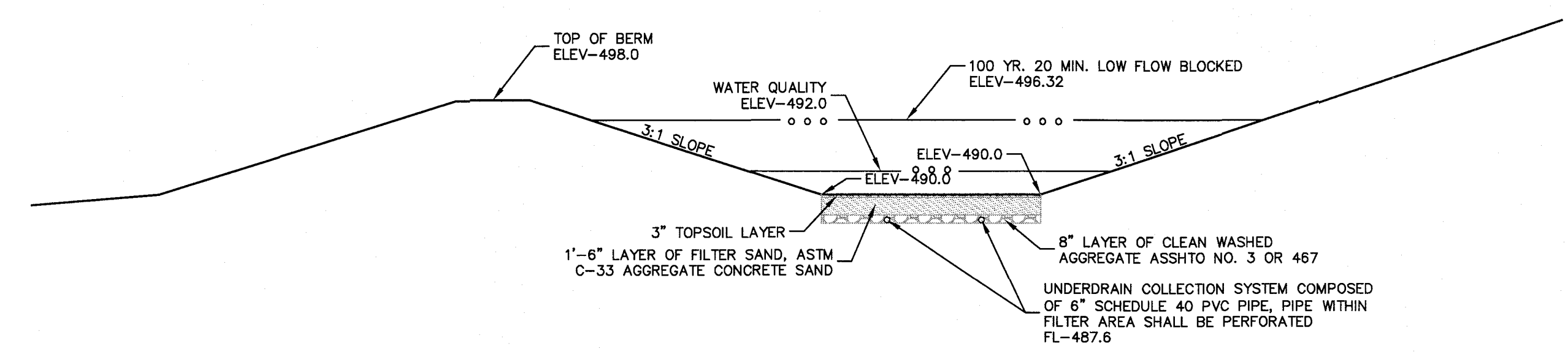


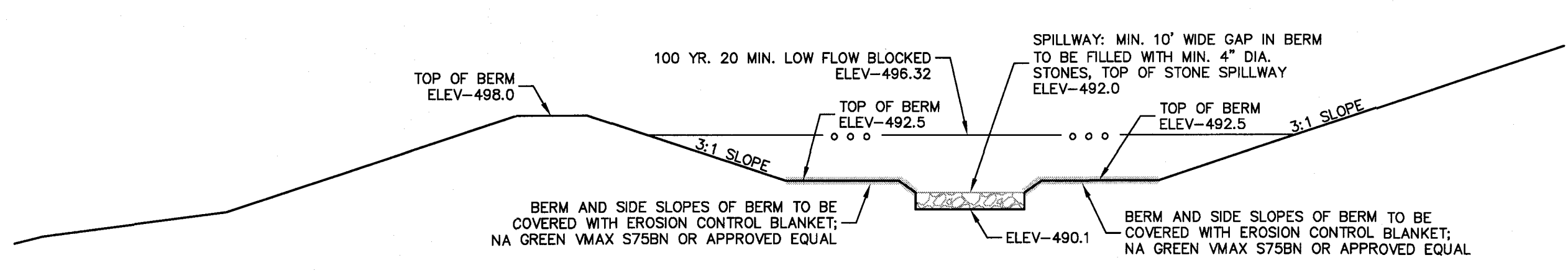
ISSUE	REMARKS/DATE
1	3-21-17 INITIAL SUBMITTAL
2	6-6-17 REVISED PER CITY COMMENTS
3	7-20-17 REVISED PER CITY COMMENTS
4	8-7-17 APPROVAL



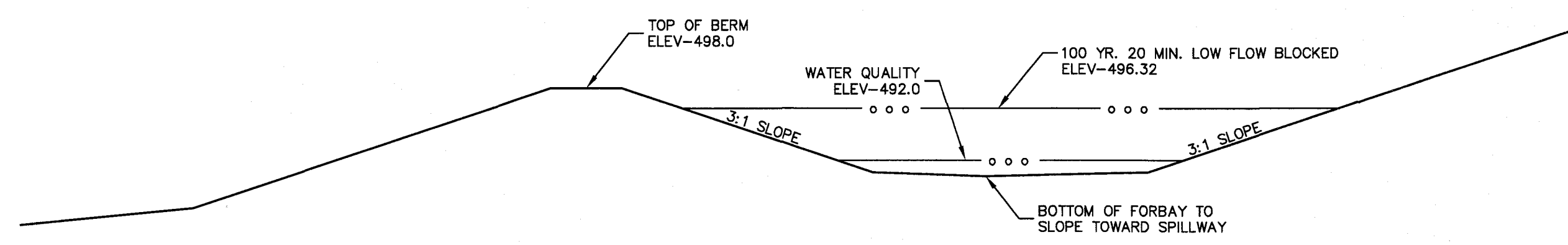
SECTION B1-B1
SCALE: 1"=10'



SECTION B2-B2
SCALE: 1"=10'



SECTION B3-B3
SCALE: 1"=10'



SECTION B4-B4
SCALE: 1"=10'

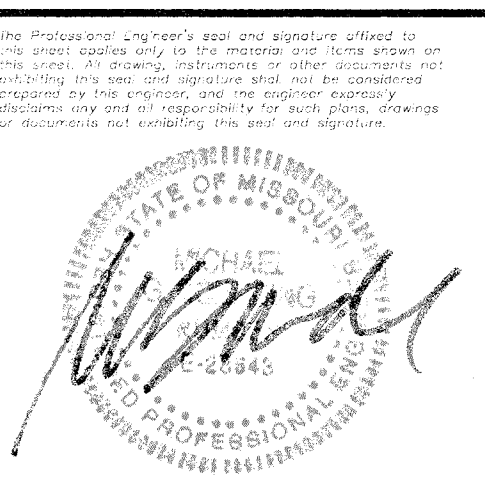
PROJECT TITLE

COBBLESTONE CROSSING

OF FALLON, MISSOURI

THE STERLING CO.
ENGINEERS & SURVEYORS

5065 New Baumgartner Road
St. Louis, Missouri 63129
Ph 314-487-0440 Fax 314-487-8944
www.sterling-eng-sur.com
Corporate Certificate of Authority #001348



Date: 8/7/2017
Michael G. Boerding
License No. MO E-28643
Civil Engineer

McBRIDE HYLAND GREEN, LLC
16091 SWINGLEY RIDGE ROAD, SUITE 300
CHESTERFIELD, MISSOURI 63017
Ph: 636-537-2000
Fax: 636-537-2546
www.mcbriدهomes.com

BASIN B

P+Z No. 29-16.01
City No.
Date: Aug. 7, 2017
Job No. 16-08-239

Page No.
10.5

IMP

Drawing name: V:\1608239 Dames Park Drawings\Engineering\Improvements\1608239 Imp.dwg Plotted on: Aug 07, 2017 - 3:16pm Plotted by: mlh/er