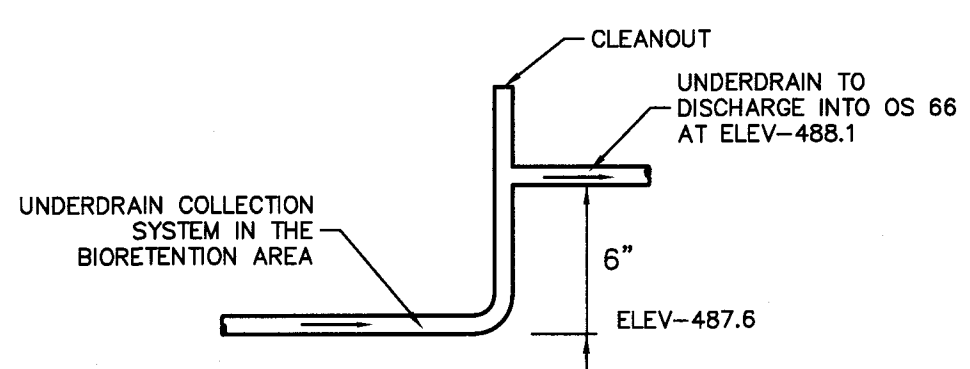
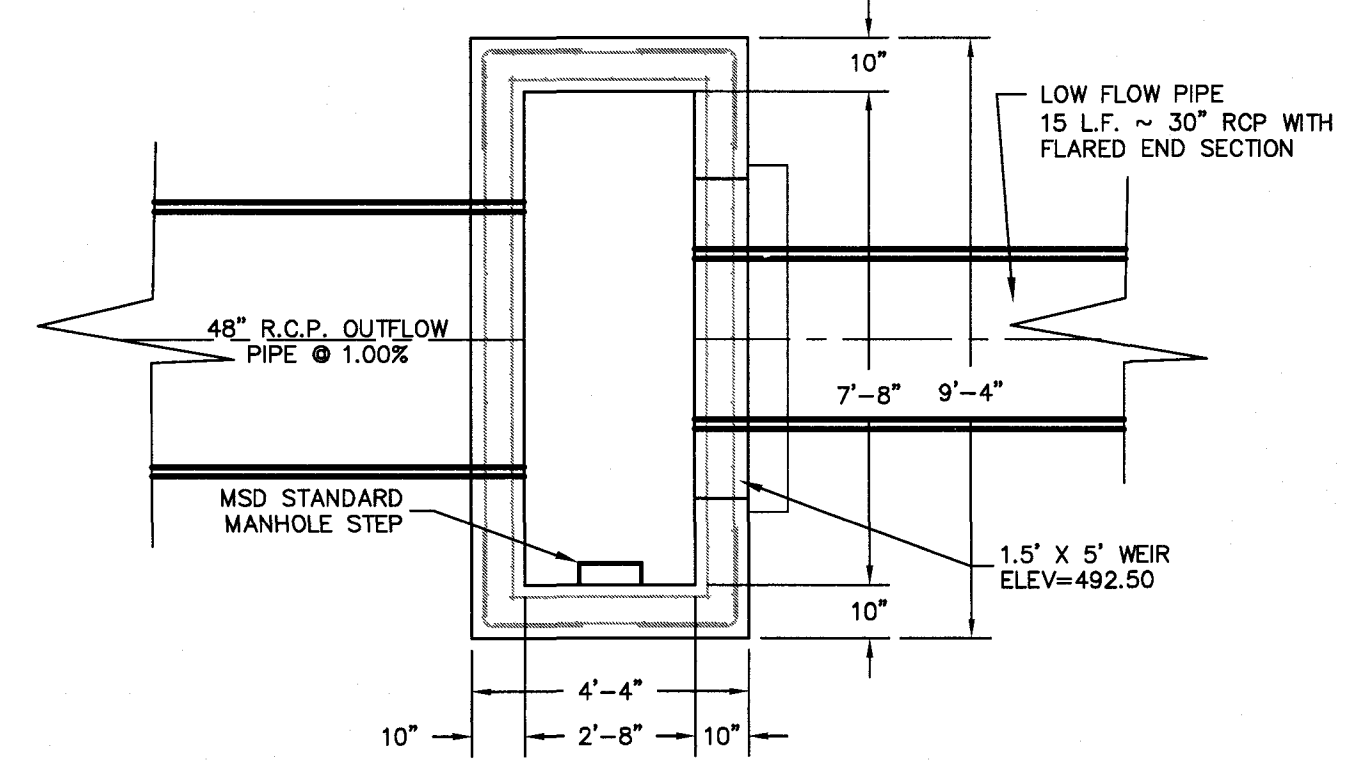


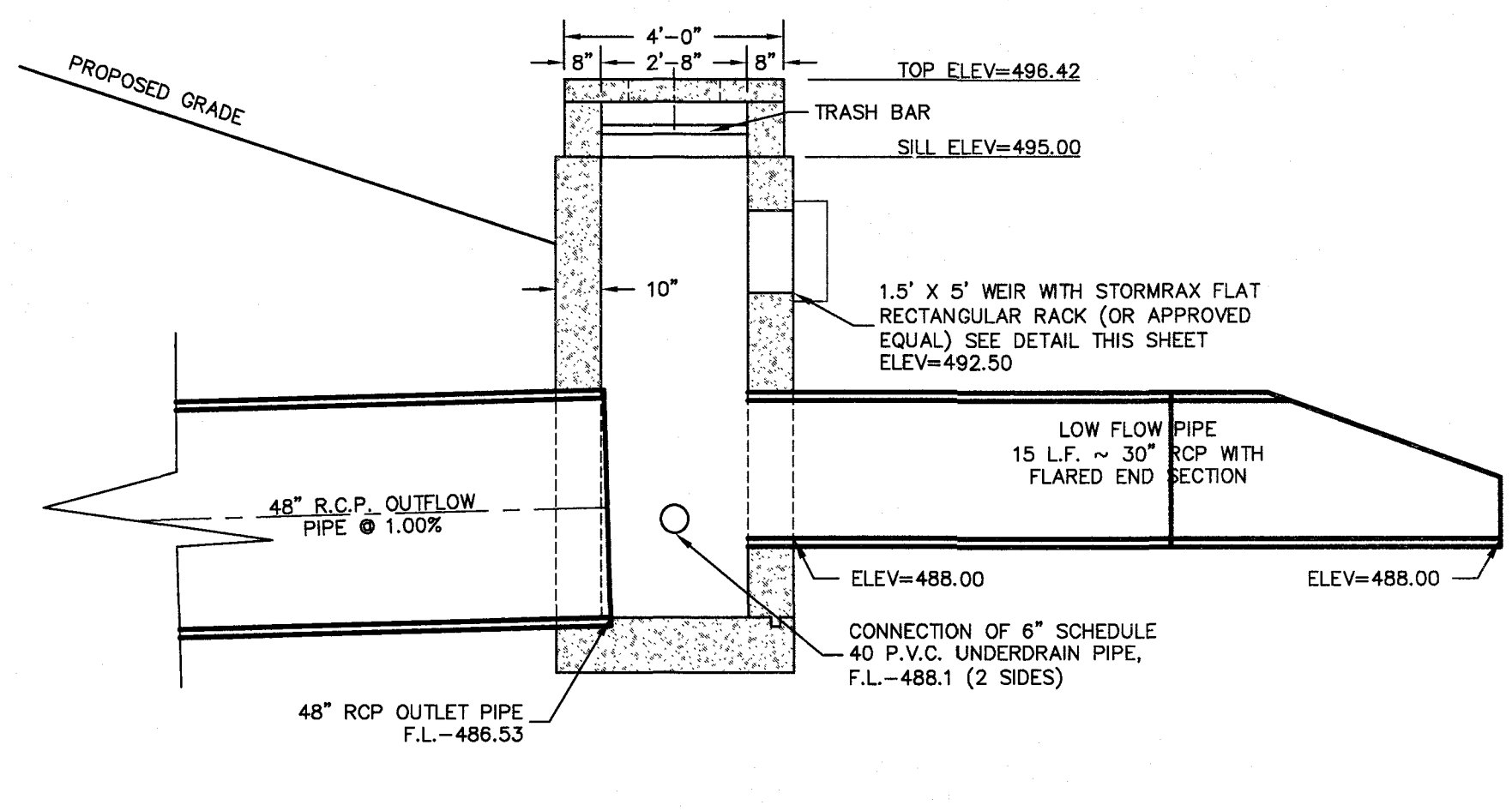
BASIN C
SCALE: 1"=20'



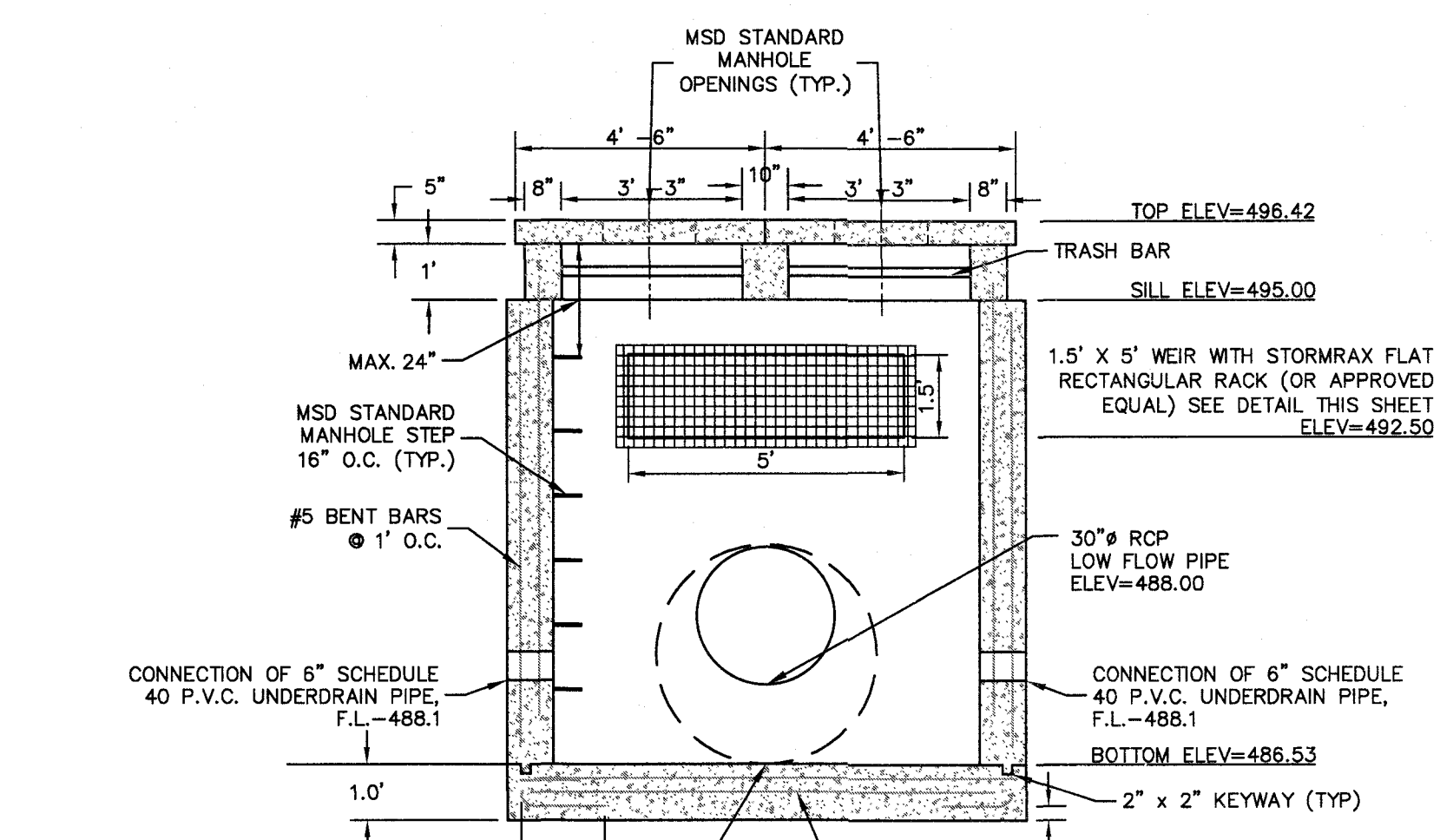
VERTICAL ELBOW UNDERDRAIN DETAIL



OUTFALL STRUCTURE #66 (BASIN 'C') PLAN VIEW
1"=3'



OUTFALL STRUCTURE #66 (BASIN 'C') SIDE VIEW
1"=3'



TYPICAL SECTION SAND FILTER
N.T.S.

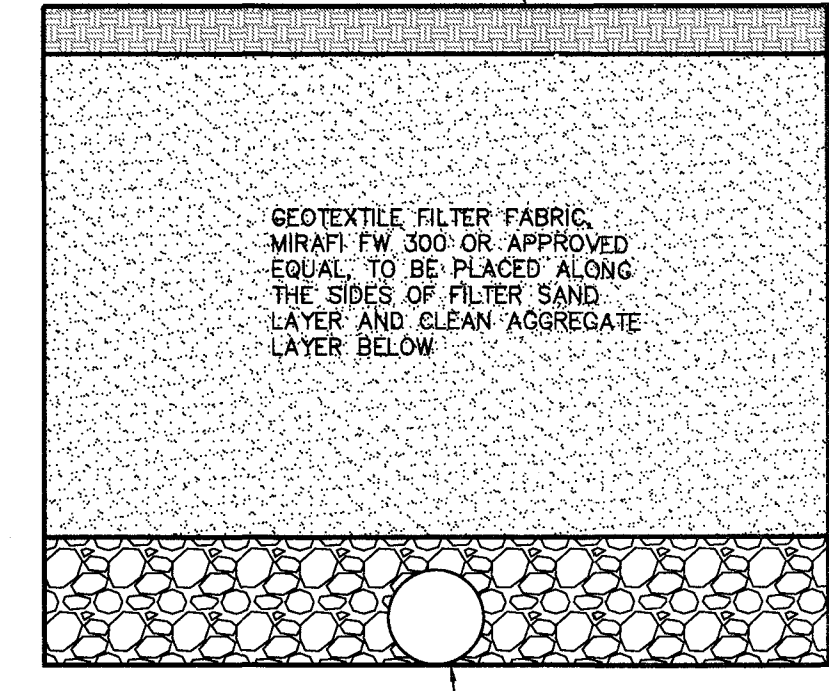
8" LAYER OF CLEAN WASHED AGGREGATE
MAX. DIAM 3-1/2"
MIN. DIAM 1-1/2"
AASHTO NO. 3 OR 467

1"-6" LAYER OF FILTER SAND, ASTM C-33 AGGREGATE CONCRETE SAND

3" TOPSOIL LAYER

BASIN PONDING

SURFACE OF SAND FILTER TO BE SEEDED WITH MSD "WET" NATIVE SEED MIX.



6" SCHEDULE 40 P.V.C. OR SDR 35 PERFORATED WITH 3/8" DIAMETER HOLES SPACED ON 8" CENTERS, FOUR ROWS OF HOLES ON ONE SIDE OF PIPE, HOLES FACING DOWN.

ISSUE REMARKS/DATE

- 3-21-17 INITIAL SUBMITTAL
- 6-6-17 REVISED PER CITY COMMENTS
- 7-20-17 REVISED PER CITY COMMENTS
- 8-7-17 APPROVAL

PROJECT TITLE

COBBLESTONE CROSSING
OF FALLON, MISSOURI

THE STERLING CO.
ENGINEERS & SURVEYORS

5065 New Baumgartner Road
St. Louis, MO 63112
Ph 314-487-0440 Fax 314-487-8844
www.sterling-eng.sur.com
Corporate Certificate of Authority #001348



Date: 8/7/2017
Michael G. Boerdig
License No. MO E-28643
Civil Engineer

McBRIDE HYLAND GREEN, LLC
16091 SWINGLEY RIDGE ROAD, SUITE 300
CHESTERFIELD, MISSOURI 63017
Ph 636-537-2000
Fax 636-537-2546
www.mcbriدهomes.com

BASIN C

P+Z No. 29-16.01
City No.
Date: Aug. 7, 2017
Job No. 16-08-239

Page No.

10.6

IMP

Drawing name: V:\1608239 Dames Park\Drawings\Engineering\Improvements\239 Imp.dwg Plotted on: Aug 07, 2017, 3:16pm Plotted by: jmliner

StormRax™
FLAT ROOF RECTANGULAR RACKS/WEIRS (STANDARD SIZES)

PLAN VIEW SIDE VIEW

Width (ft)	11.25	15.00	22.50	27.00	32.00	36.00	45.00	54.00	59.00	65.00
Length (ft)	11.25	15.00	22.50	27.00	32.00	36.00	45.00	54.00	59.00	65.00
Weight (lb)	11.25	15.00	22.50	27.00	32.00	36.00	45.00	54.00	59.00	65.00
Volume (cu ft)	11.25	15.00	22.50	27.00	32.00	36.00	45.00	54.00	59.00	65.00

Plastic Solutions, Inc.
2000 W. Highway 100
St. Louis, MO 63114
800-877-5777
www.plasticsolutions.com