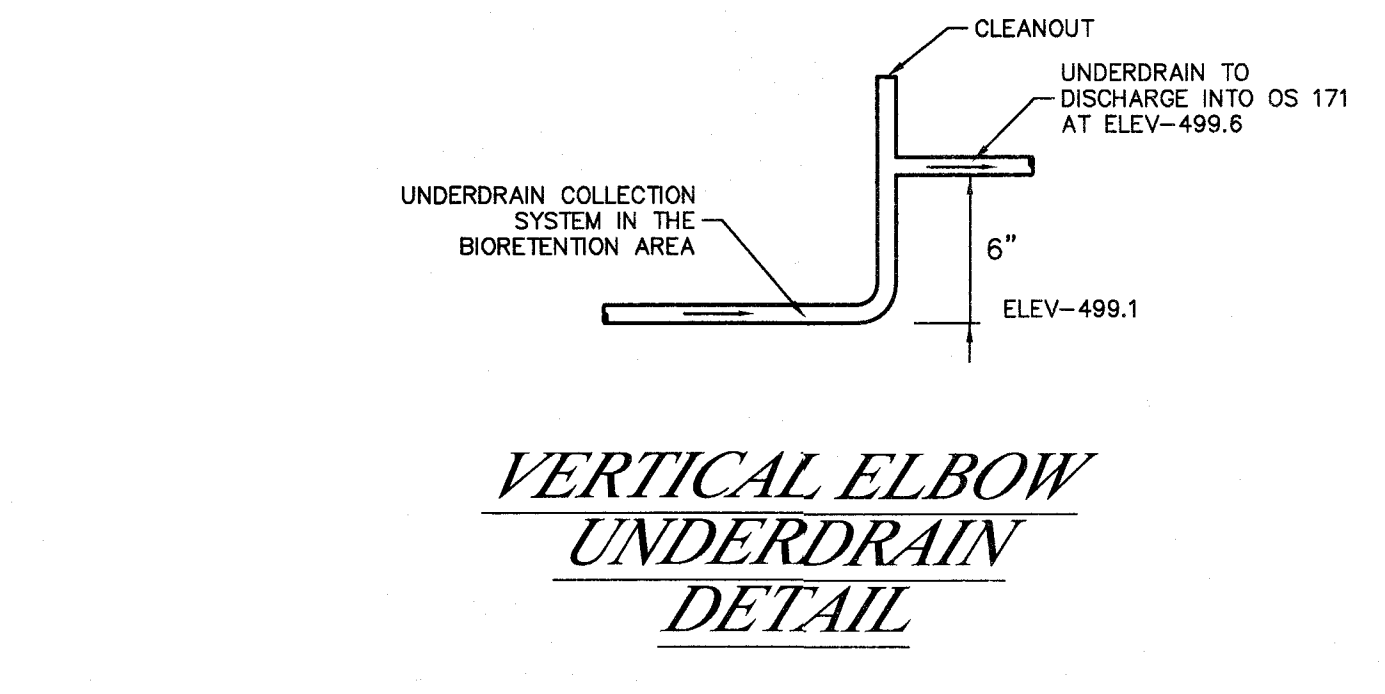
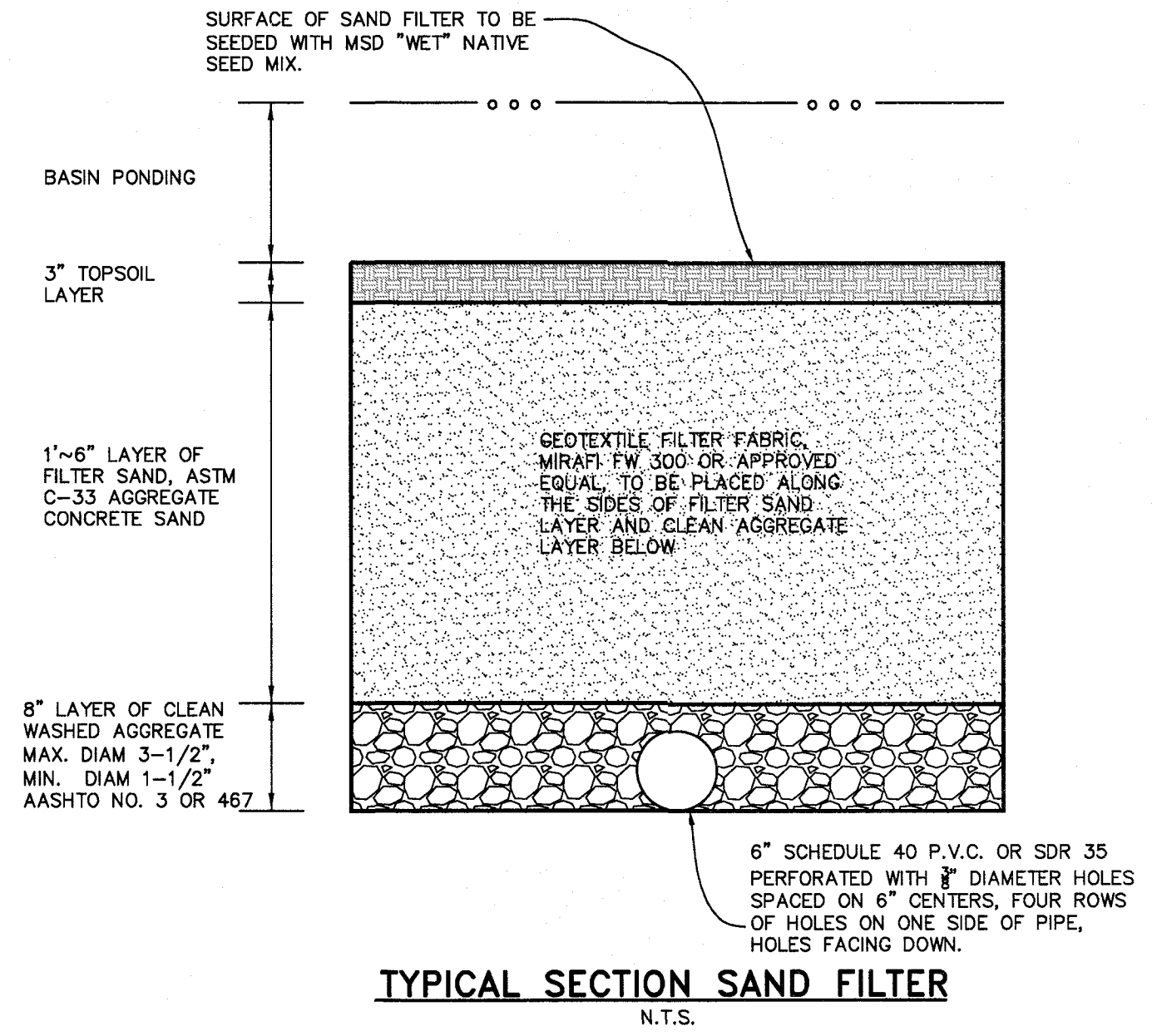
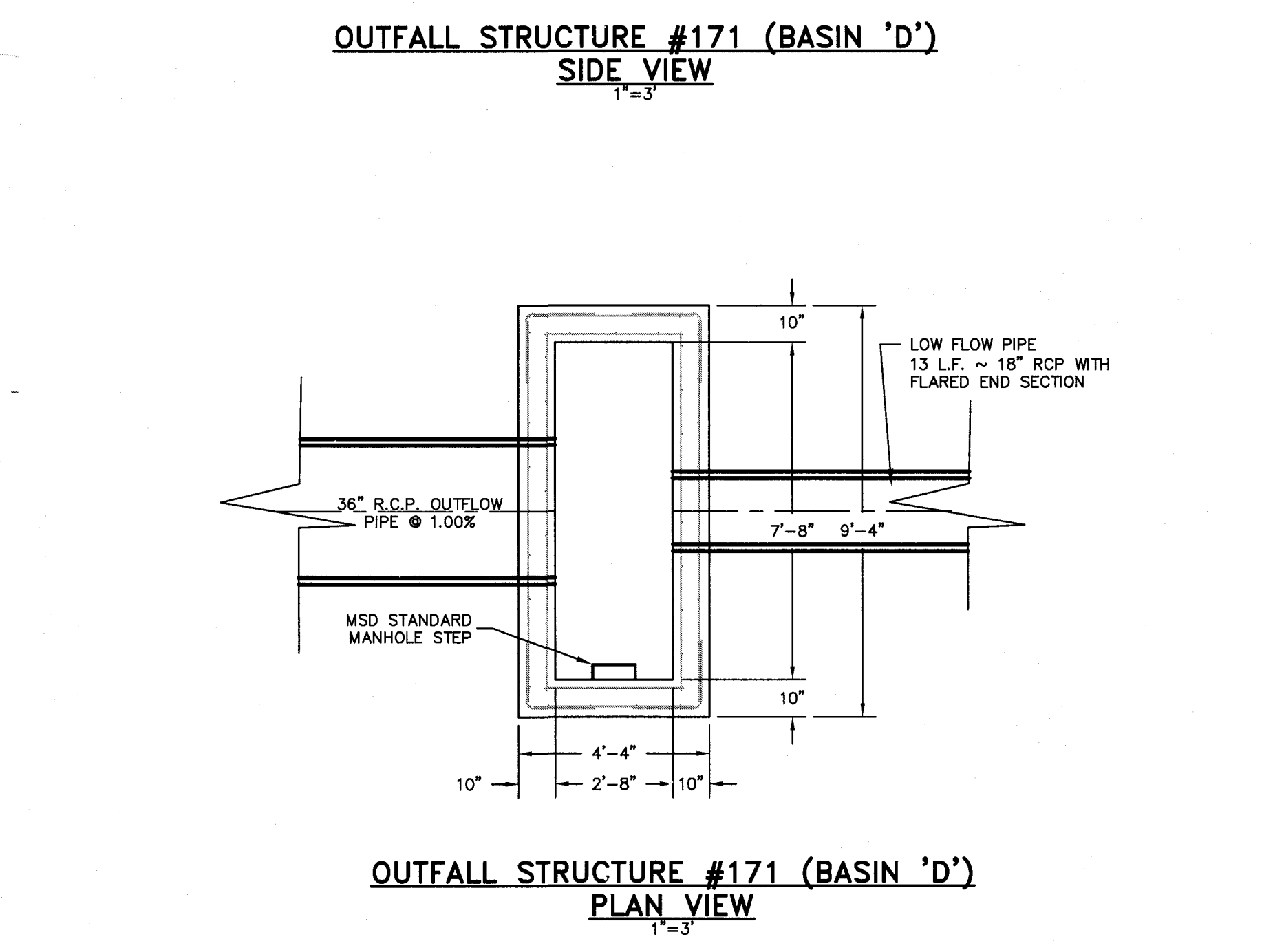
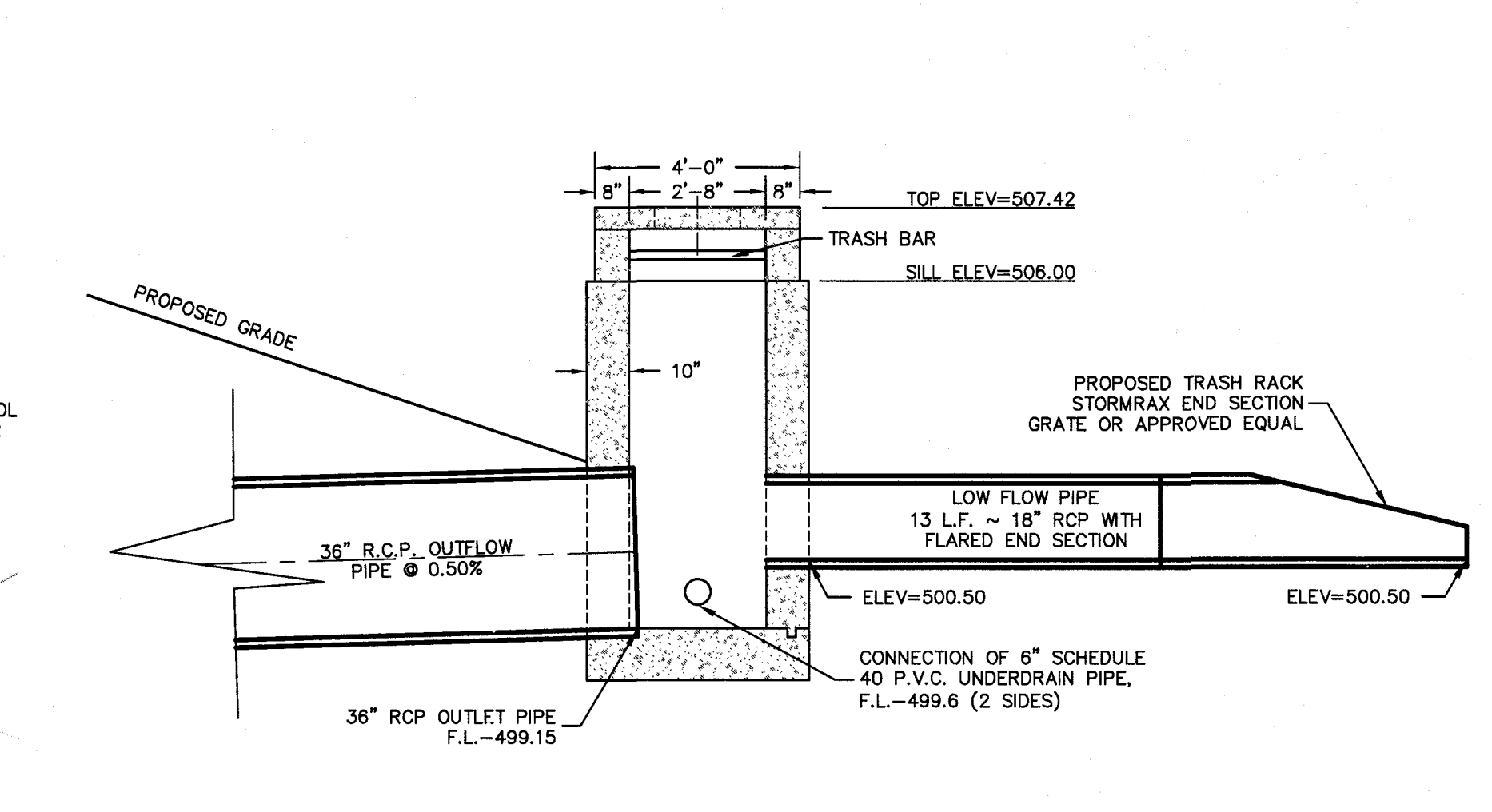
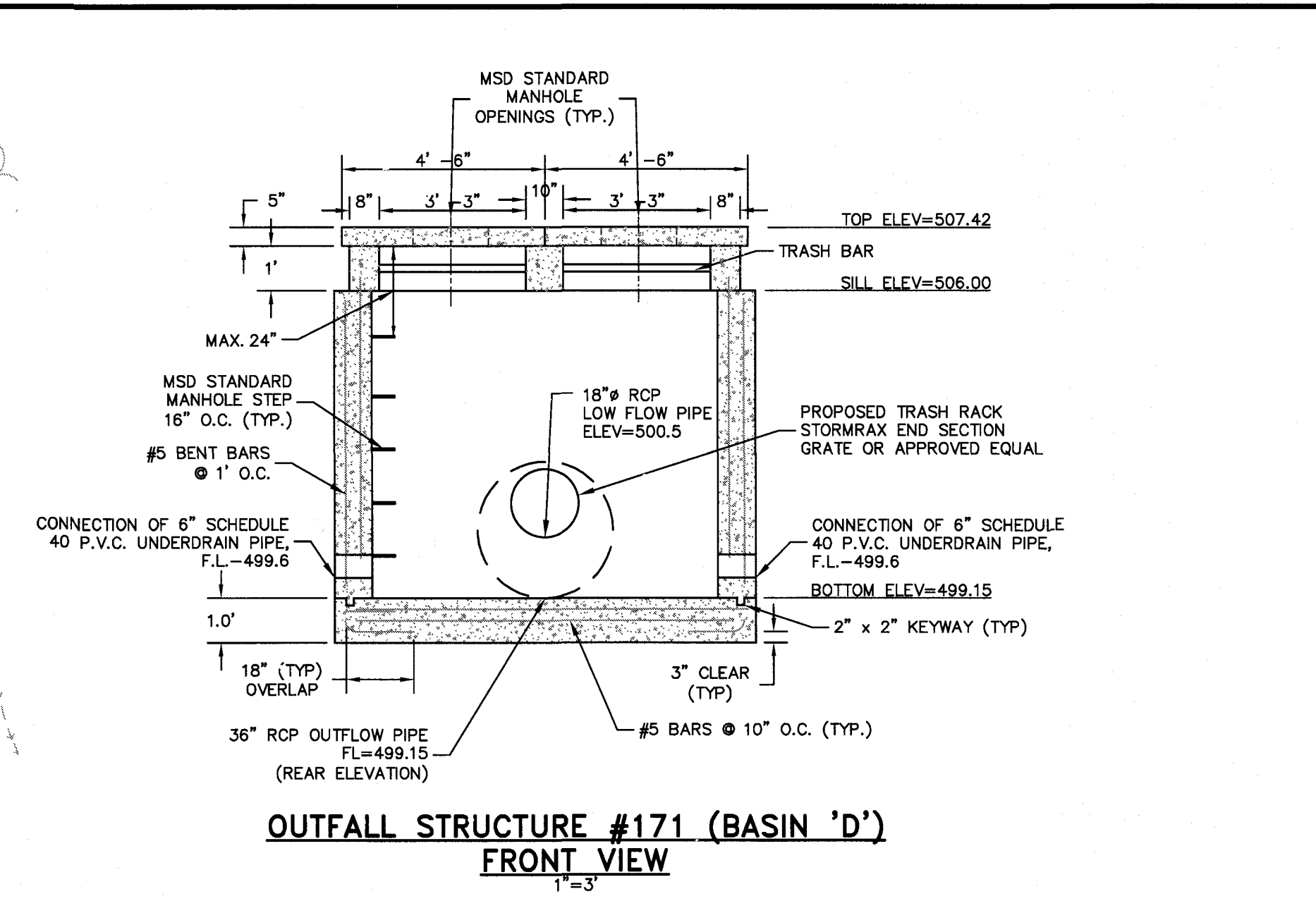


BASIN D
SCALE: 1"=20'



ISSUE	REMARKS/DATE
1	3-21-17 INITIAL SUBMITTAL
2	6-6-17 REVISED PER CITY COMMENTS
3	7-20-17 REVISED PER CITY COMMENTS
4	8-7-17 APPROVAL

PROJECT TITLE
COBBLESTONE CROSSING
OFALLON, MISSOURI

THE **STERLING** CO.
ENGINEERS & SURVEYORS
5055 New Baumgartner Road
St. Louis, Missouri 63129
Ph 314-487-0440 Fax 314-487-8944
www.sterling-eng-srv.com
Corporate Certificate of Authority #001348

Date: 8/7/2017
Michael G. Boarding
License No. MO E-28643
Civil Engineer

McBRIDE HYLAND GREEN, LLC
16091 SWINGLEY RIDGE ROAD, SUITE 300
CHESTERFIELD, MISSOURI 63017
Ph: 636-537-2000
Fax: 636-537-2546
www.mcbriدهomes.com

BASIN D

P+Z No. 29-16.01
City No.
Date: Aug. 7, 2017
Job No. 16-08-239
Page No.