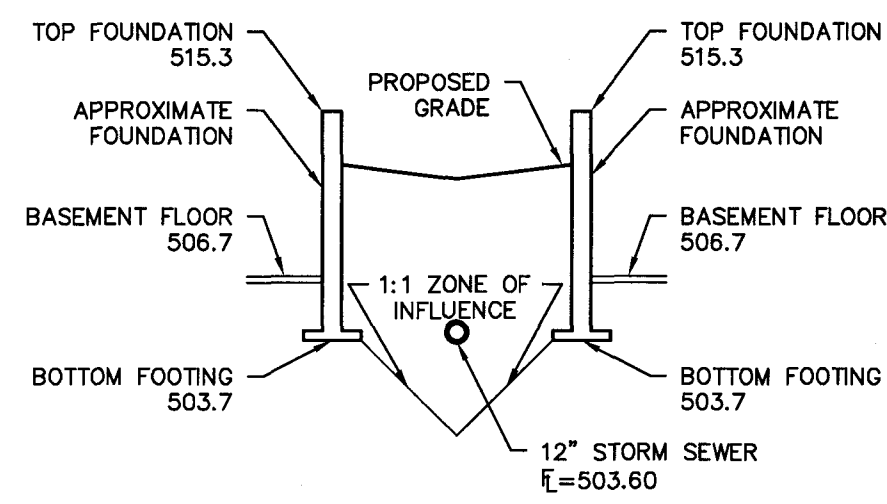
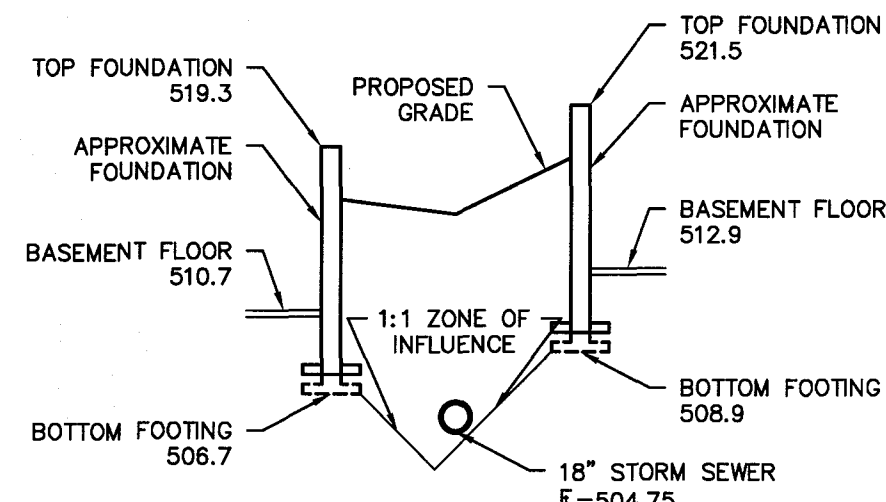


LOT 17C LOT 18C



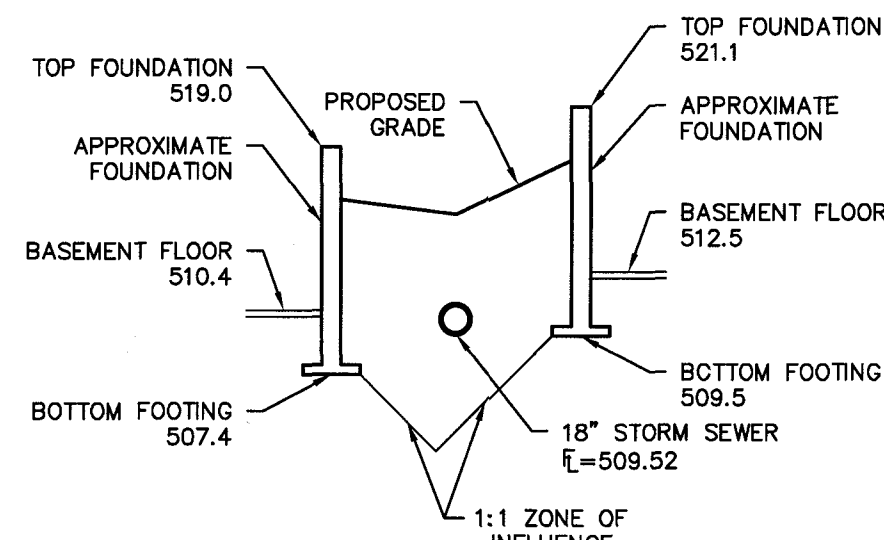
SECTION STM-1
Scale: 1" = 10'

LOT 20C LOT 21C



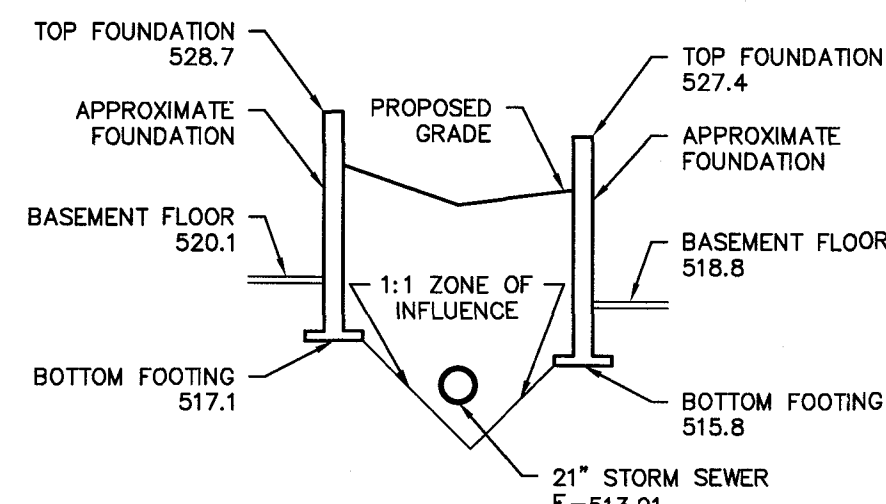
SECTION STM-2
Scale: 1" = 10'

LOT 13C LOT 12C



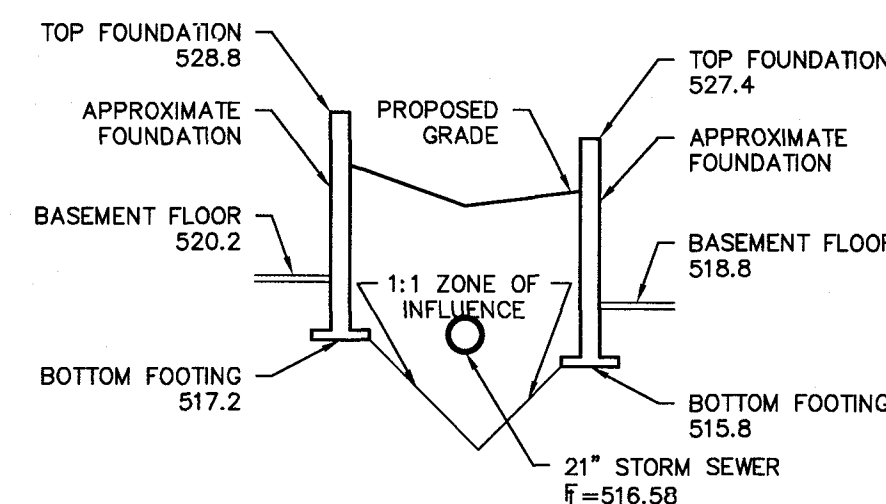
SECTION STM-3
Scale: 1" = 10'

LOT 25C LOT 26C



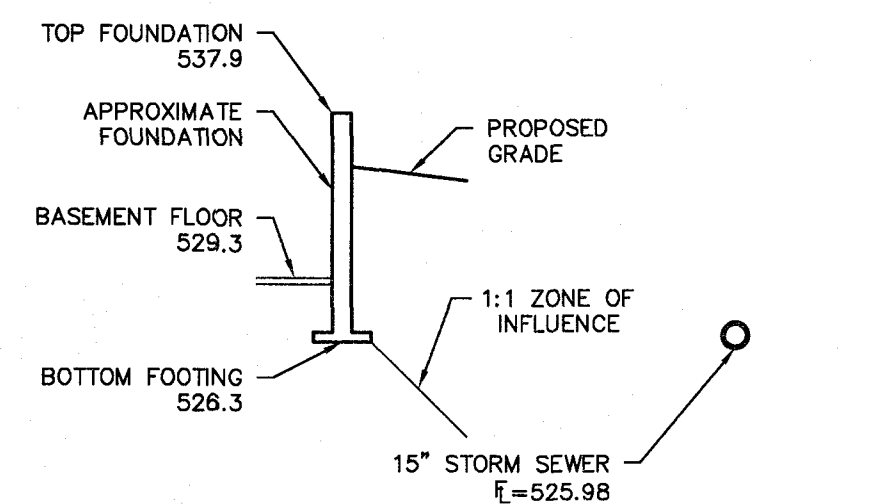
SECTION STM-4
Scale: 1" = 10'

LOT 33C LOT 34C



SECTION STM-5
Scale: 1" = 10'

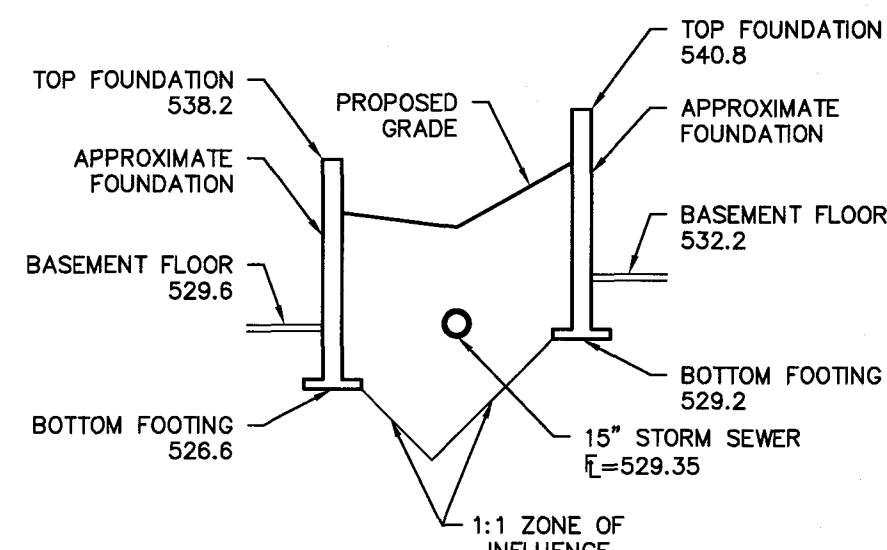
LOT 31C



SECTION STM-6
Scale: 1" = 10'

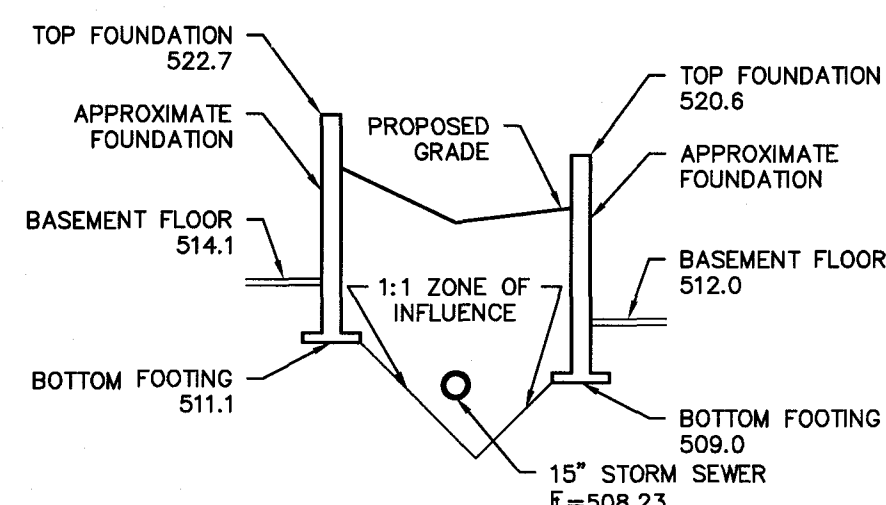
| ISSUE REMARKS/DATE | |
|--------------------|-----------------------------------|
| 1 | 3-21-17 INITIAL SUBMITTAL |
| 2 | 6-6-17 REVISED PER CITY COMMENTS |
| 3 | 7-20-17 REVISED PER CITY COMMENTS |
| 4 | 8-7-17 APPROVAL |

LOT 5C LOT 4C



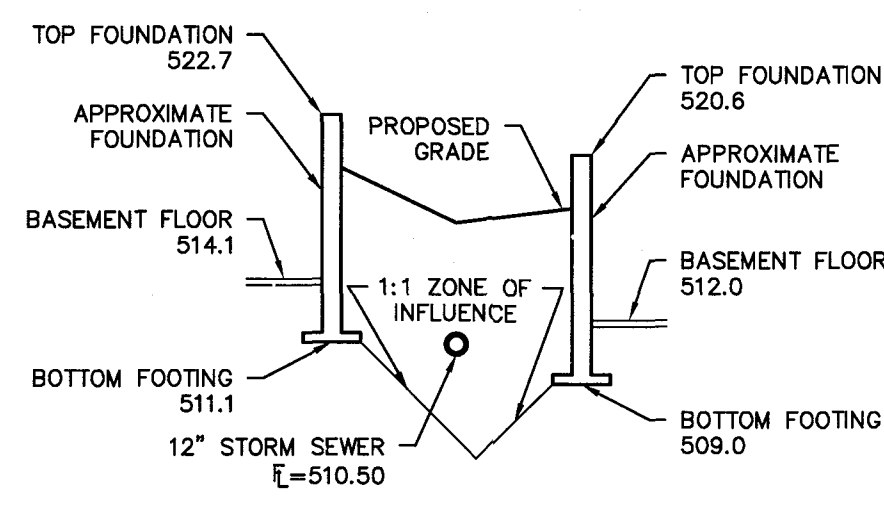
SECTION STM-7
Scale: 1" = 10'

LOT 29C LOT 30C



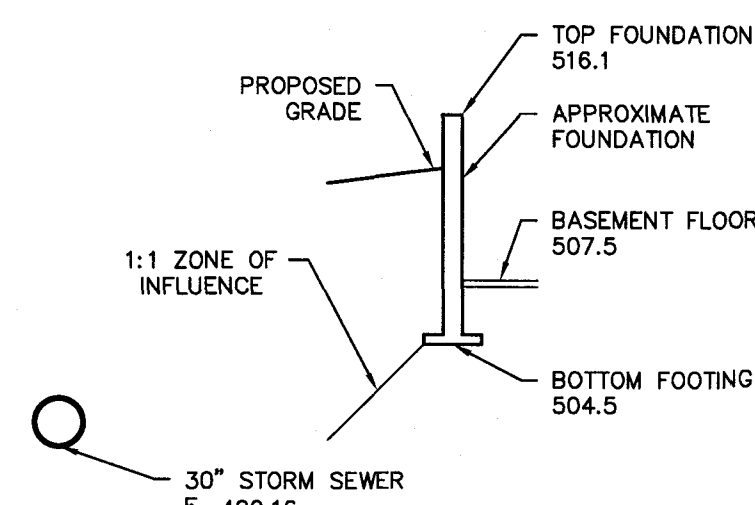
SECTION STM-8
Scale: 1" = 10'

LOT 37C LOT 38C



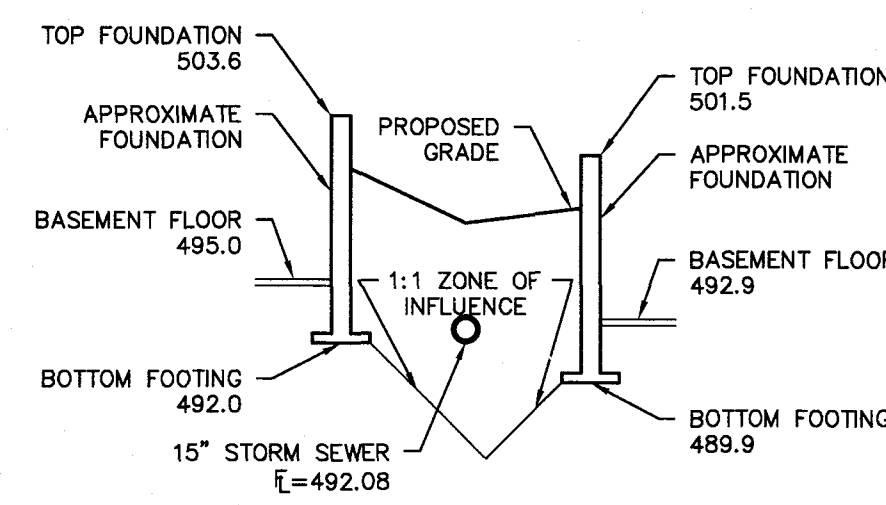
SECTION STM-9
Scale: 1" = 10'

LOT 39C



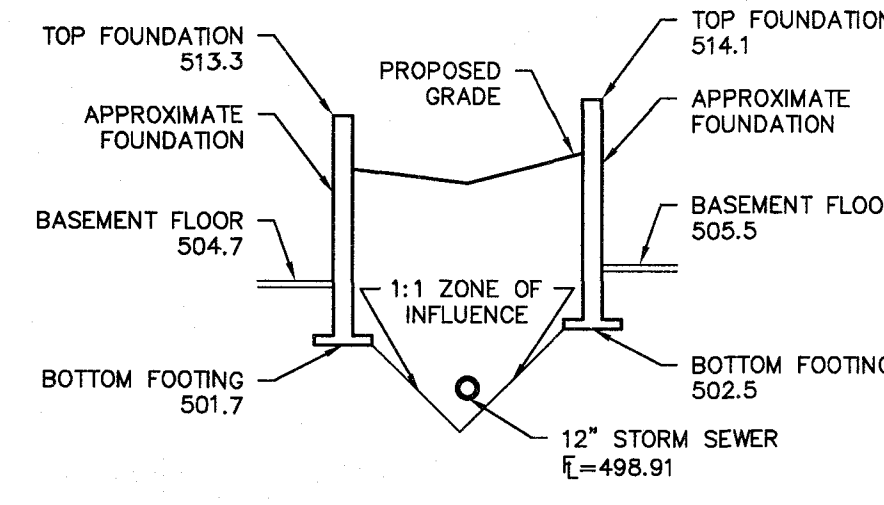
SECTION STM-10
Scale: 1" = 10'

LOT 45C LOT 46C



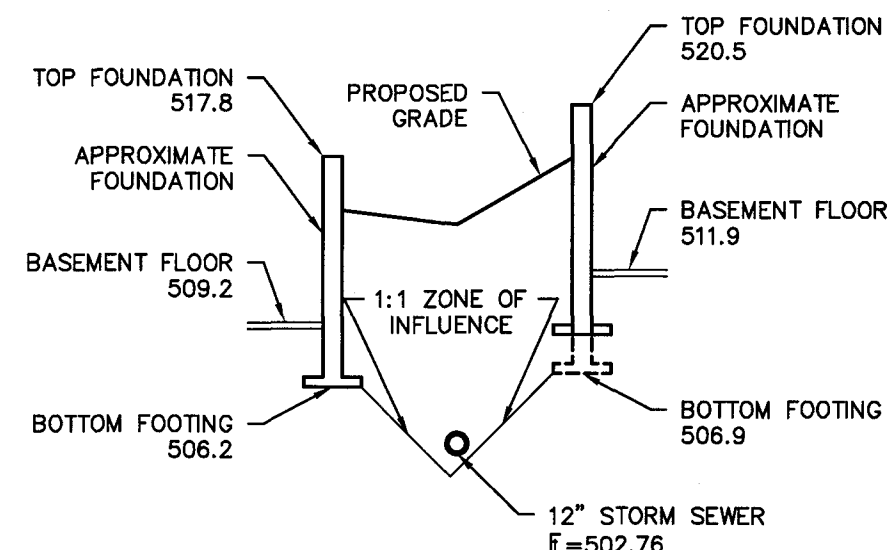
SECTION STM-11
Scale: 1" = 10'

LOT 140C LOT 139C



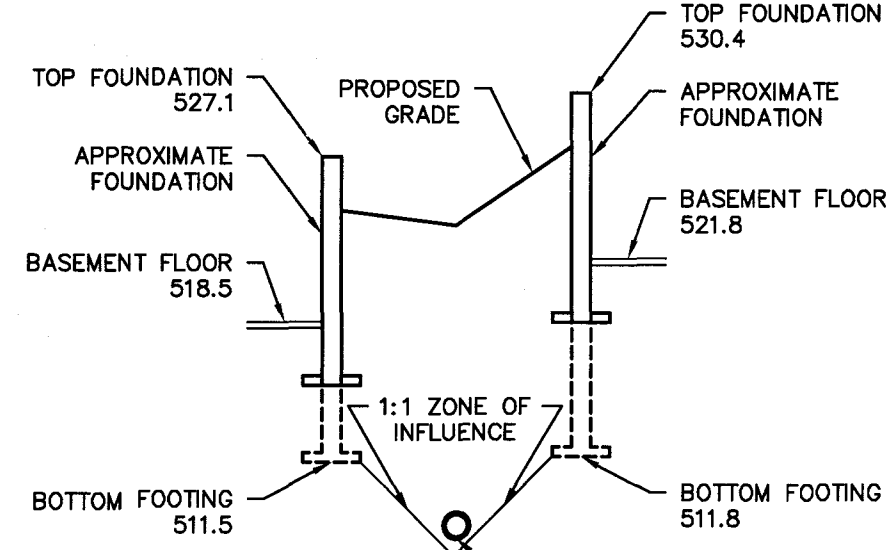
SECTION STM-12
Scale: 1" = 10'

LOT 135B LOT 134B



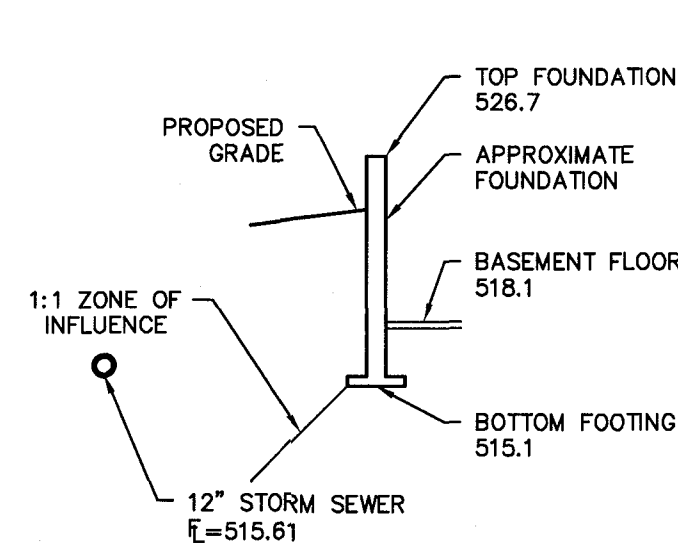
SECTION STM-13
Scale: 1" = 10'

LOT 132B LOT 131B



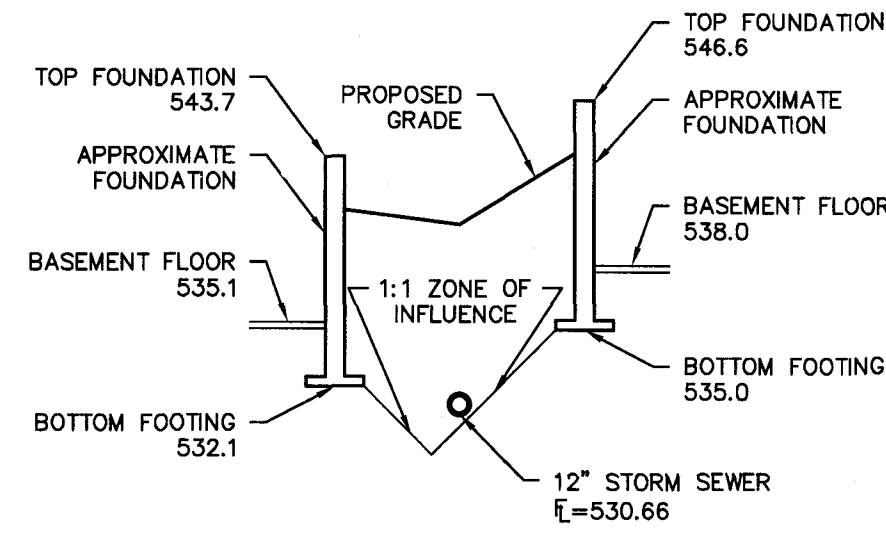
SECTION STM-14
Scale: 1" = 10'

LOT 198B



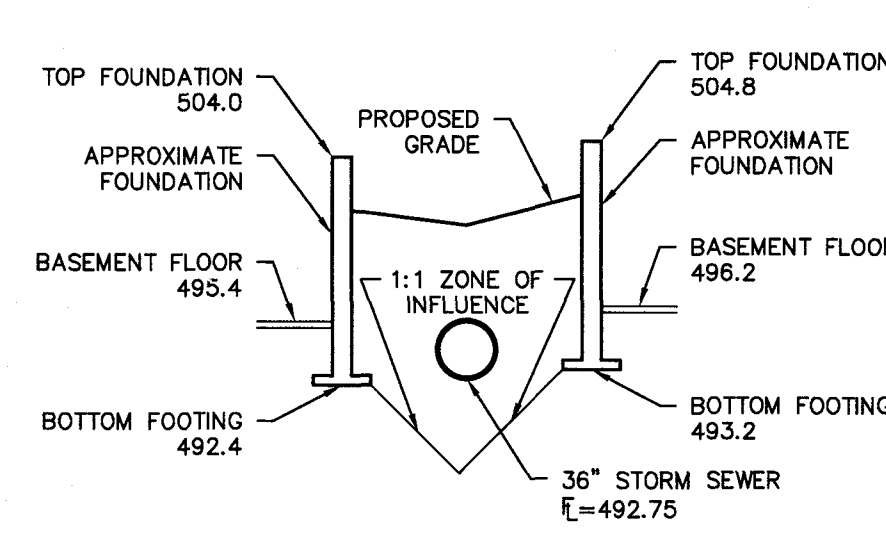
SECTION STM-15
Scale: 1" = 10'

LOT 127B LOT 126B



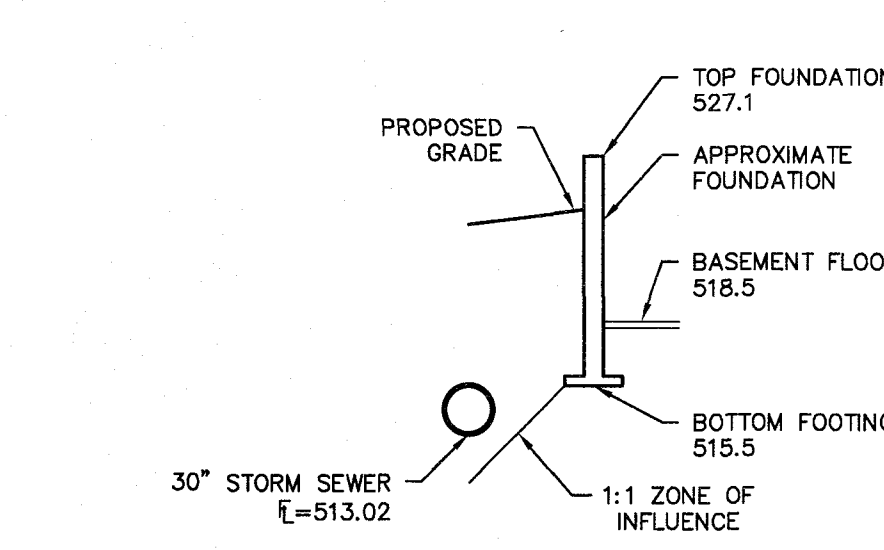
SECTION STM-16
Scale: 1" = 10'

LOT 169C LOT 170C



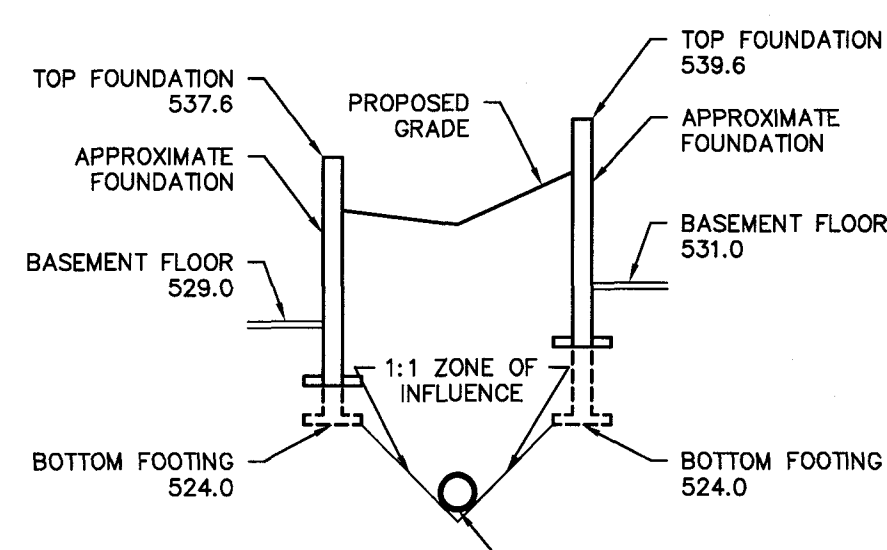
SECTION STM-17
Scale: 1" = 10'

LOT 209C



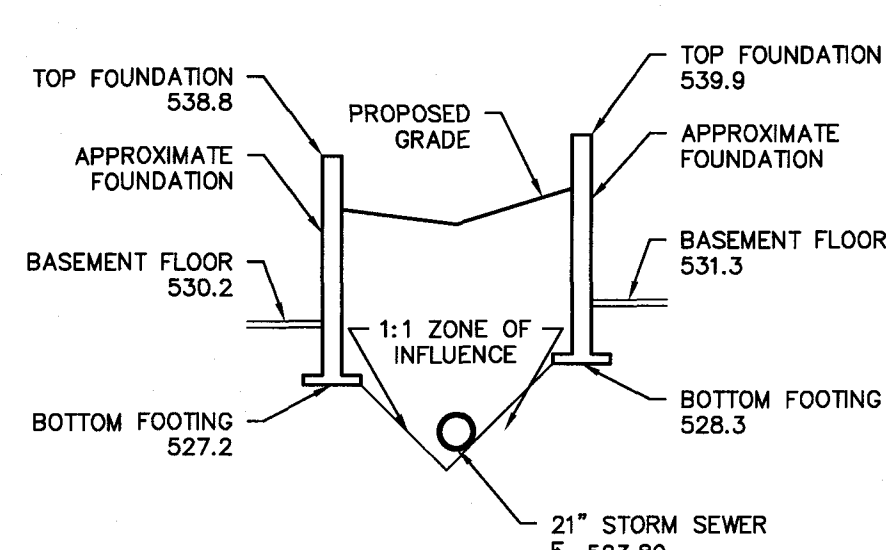
SECTION STM-18
Scale: 1" = 10'

LOT 232C LOT 231C



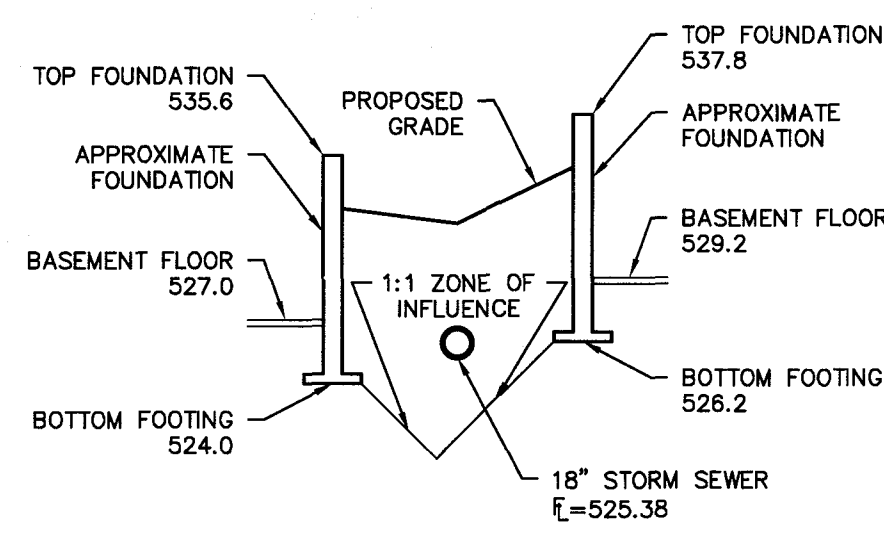
SECTION STM-19
Scale: 1" = 10'

LOT 243C LOT 244C



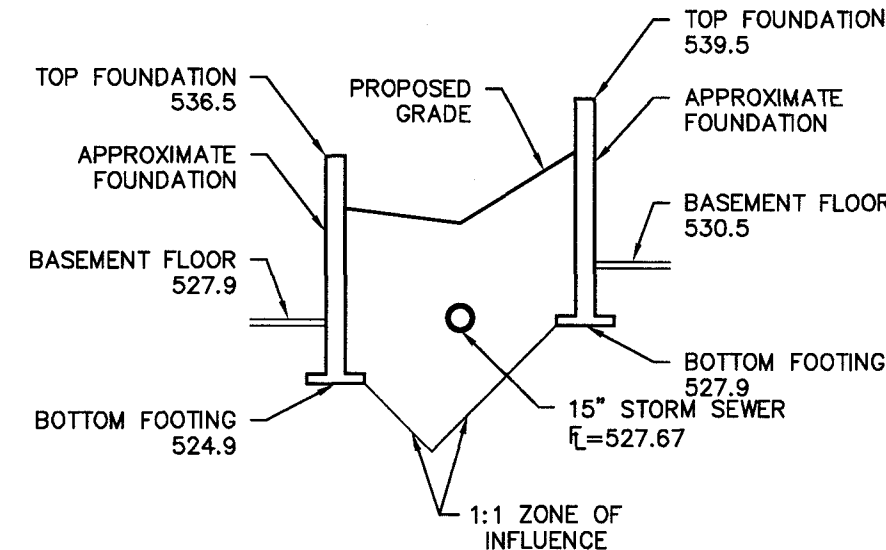
SECTION STM-20
Scale: 1" = 10'

LOT 255B LOT 254B



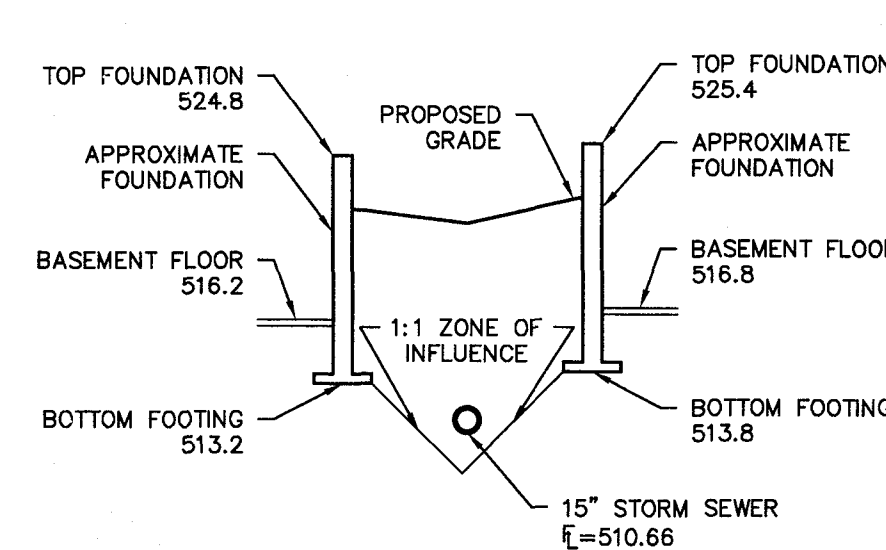
SECTION STM-21
Scale: 1" = 10'

LOT 87B LOT 88B



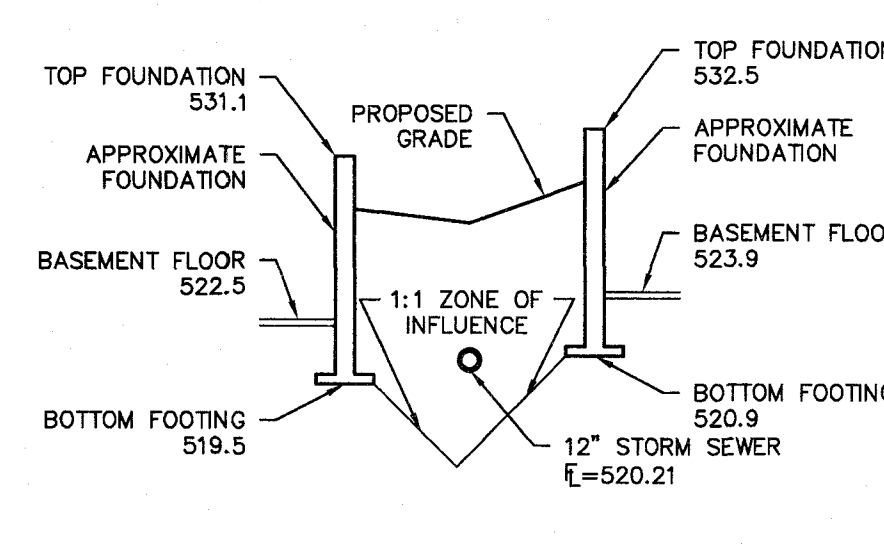
SECTION STM-22
Scale: 1" = 10'

LOT 187C LOT 186C



SECTION STM-23
Scale: 1" = 10'

LOT 205C LOT 204C



SECTION STM-24
Scale: 1" = 10'

PROJECT TITLE

COBBLESTONE CROSSING

OF FALLON, MISSOURI

THE STERLING CO. ENGINEERS & SURVEYORS
6055 New Baumgartner Road
St. Louis, Missouri 63129
Ph. 314-487-0440 Fax 314-487-8944
www.sterling-eng-sur.com
Corporate Certificate of Authority #001348



Date: 8/7/2017
Michael G. Boarding
License No. MO E-28643
Civil Engineer

McBRIDE HYLAND GREEN, LLC
16091 SWINGLEY RIDGE ROAD, SUITE 300
CHESTERFIELD, MISSOURI 63017
Ph. 636-537-2000
Fax 636-537-2546
www.mcbridehomes.com

SITE SECTIONS

P+Z No. 29-16.01
City No.
Date: Aug. 7, 2017
Job No. 16-08-239
Page No.

14.2

IMP