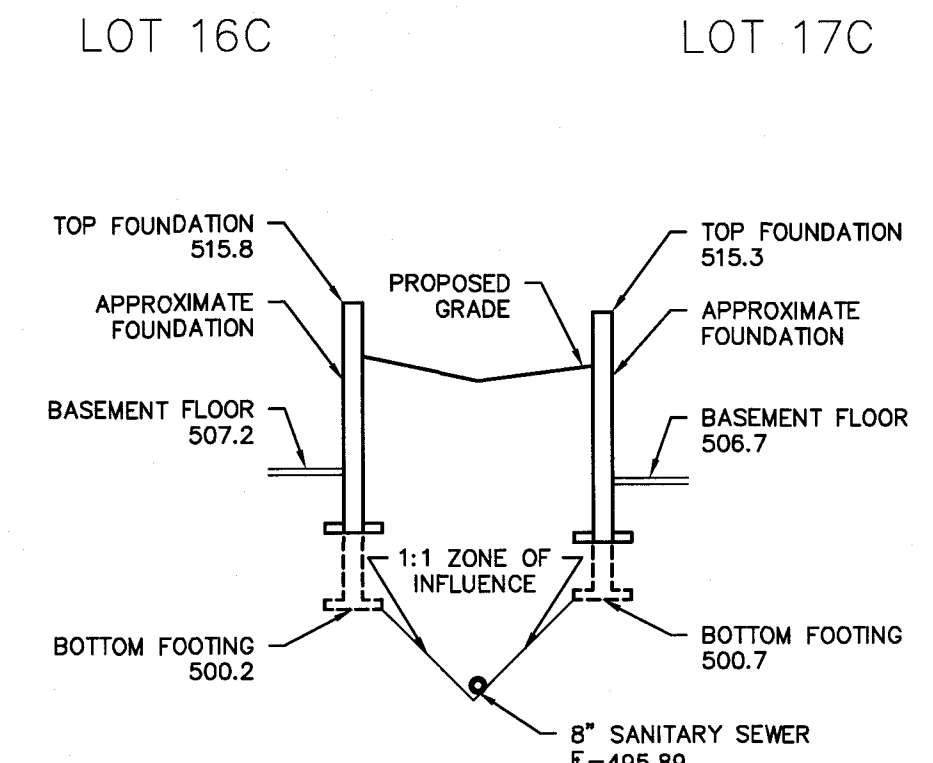
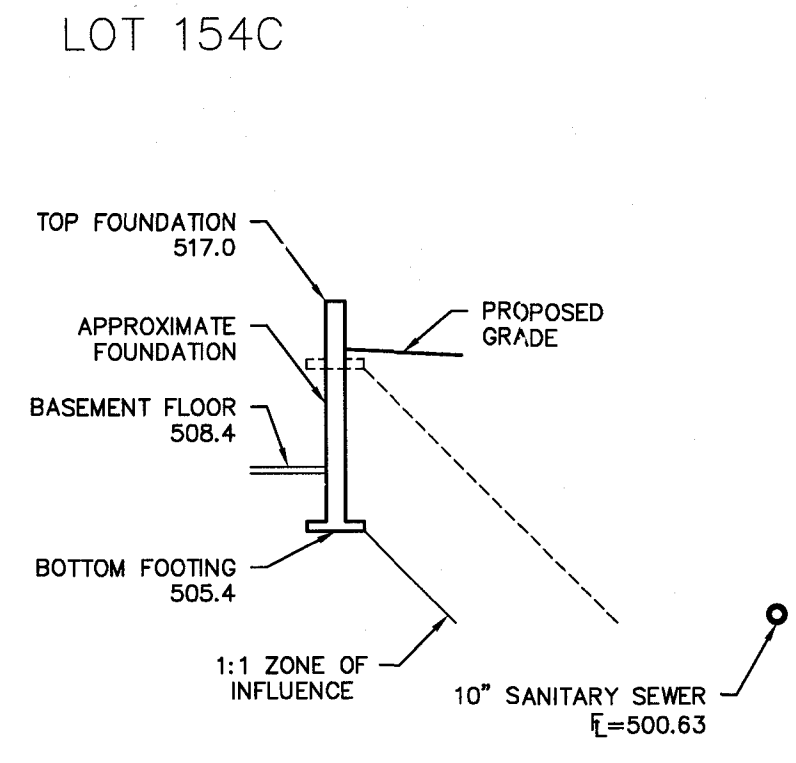


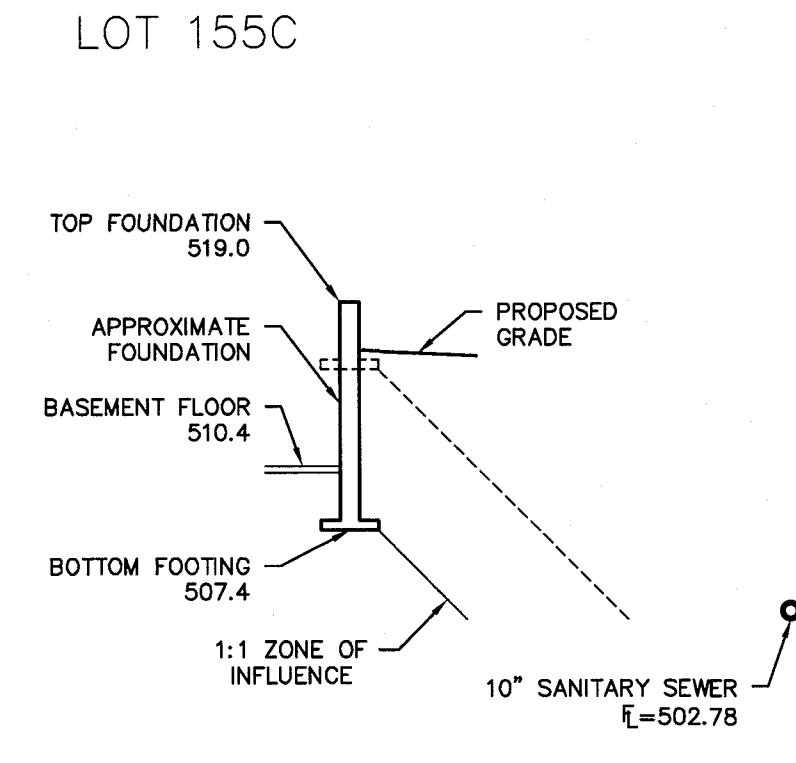
SECTION SAN-1
Scale: 1" = 10'



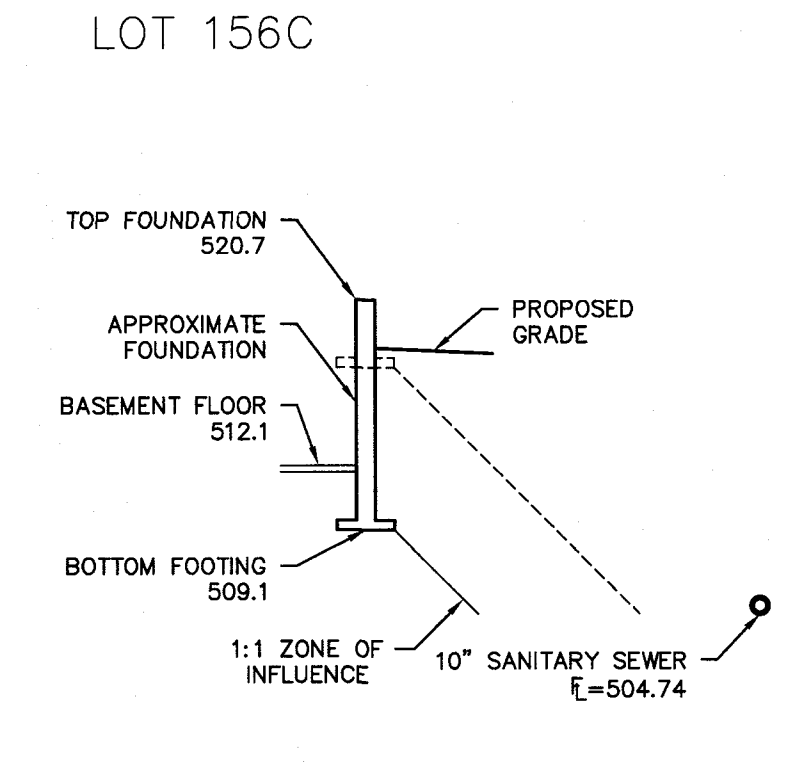
SECTION SAN-2
Scale: 1" = 10'



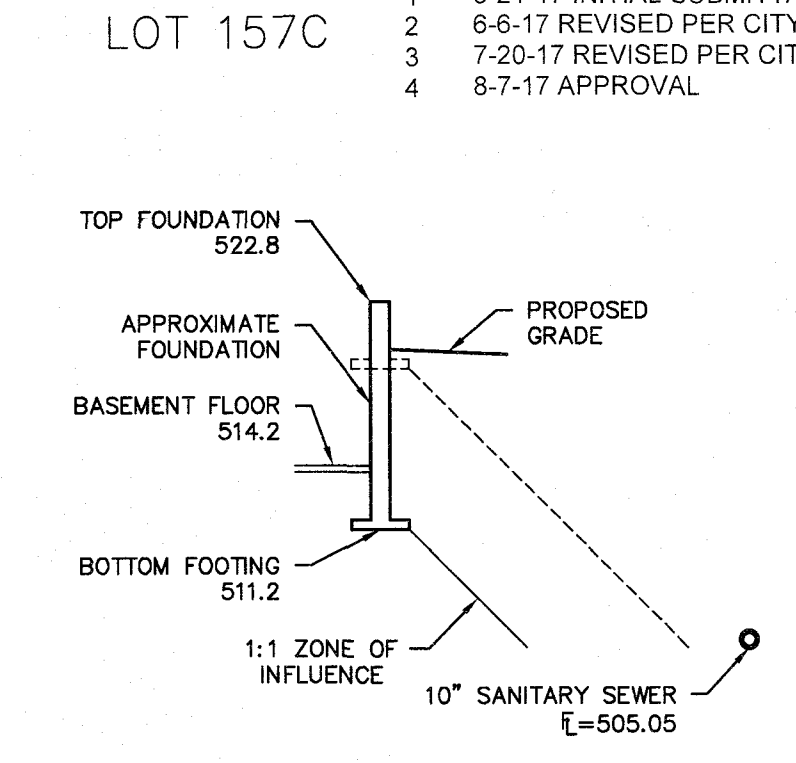
SECTION SAN-3
Scale: 1" = 10'



SECTION SAN-4
Scale: 1" = 10'

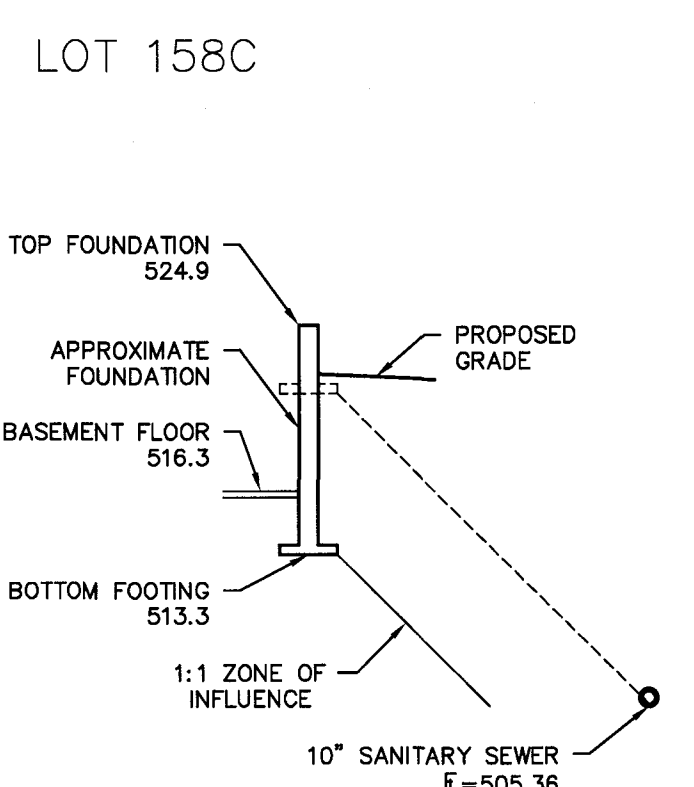


SECTION SAN-5
Scale: 1" = 10'

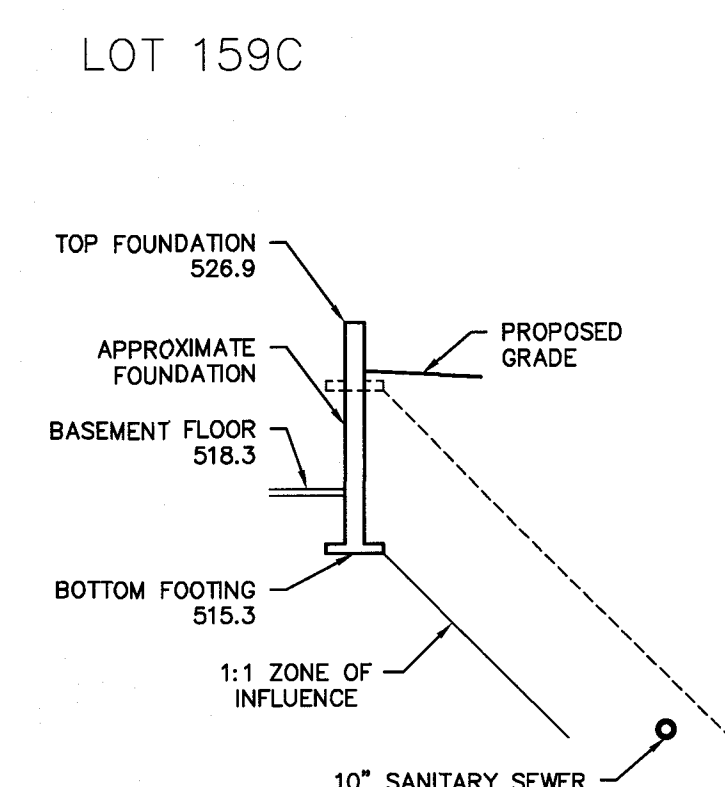


SECTION SAN-6
Scale: 1" = 10'

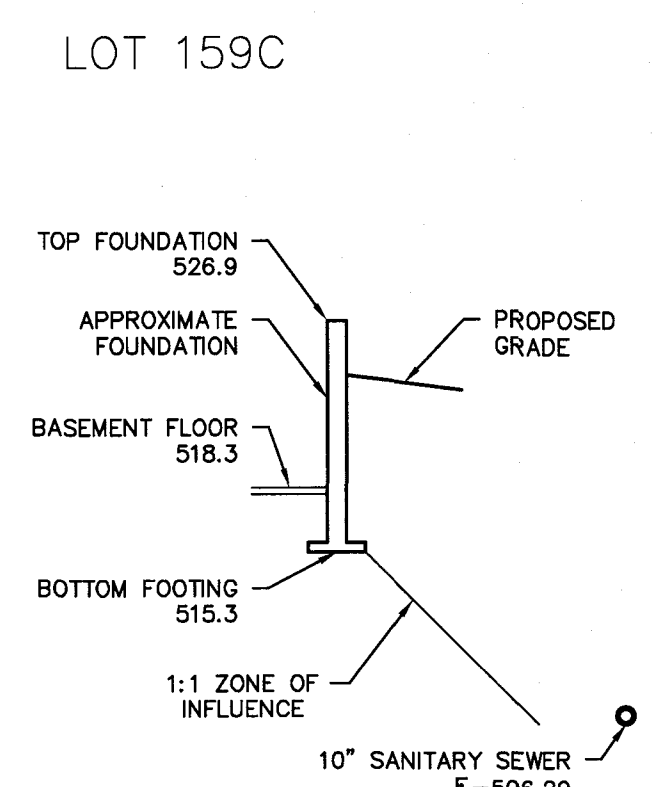
ISSUE	REMARKS/DATE
1	3-21-17 INITIAL SUBMITTAL
2	6-6-17 REVISED PER CITY COMMENTS
3	7-20-17 REVISED PER CITY COMMENTS
4	8-7-17 APPROVAL



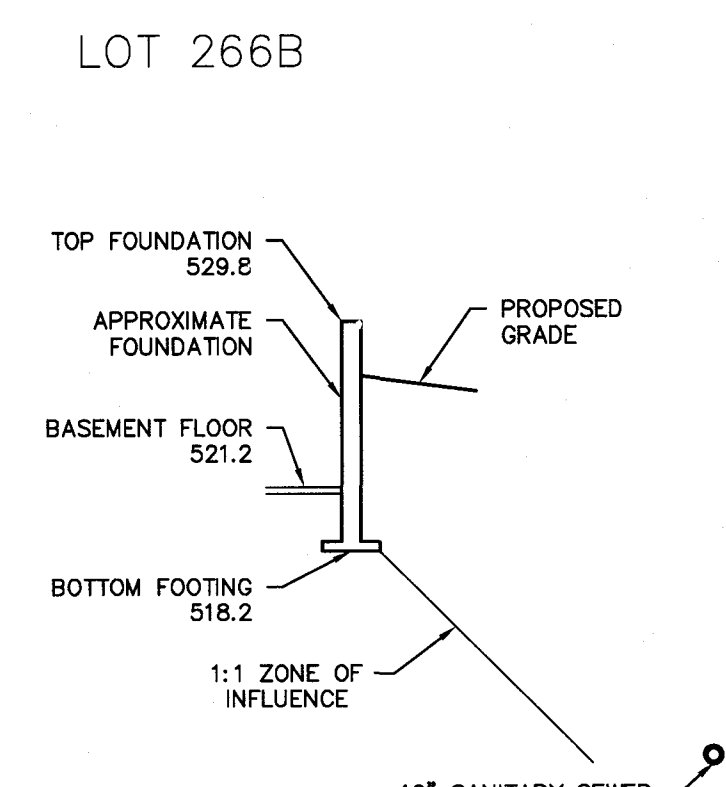
SECTION SAN-7
Scale: 1" = 10'



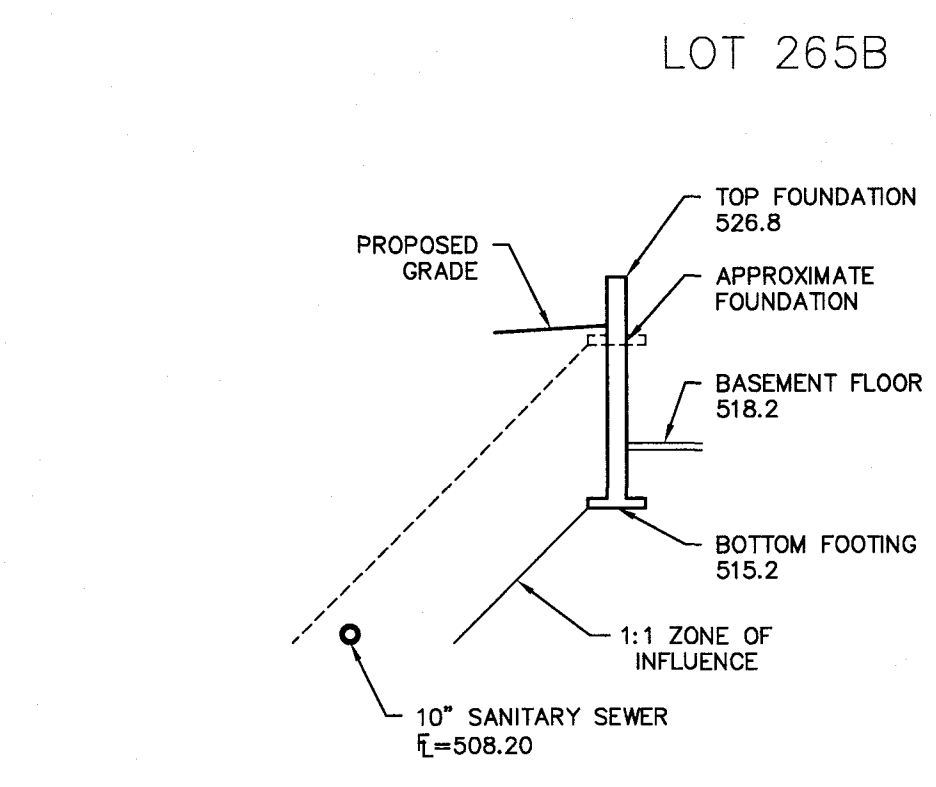
SECTION SAN-8
Scale: 1" = 10'



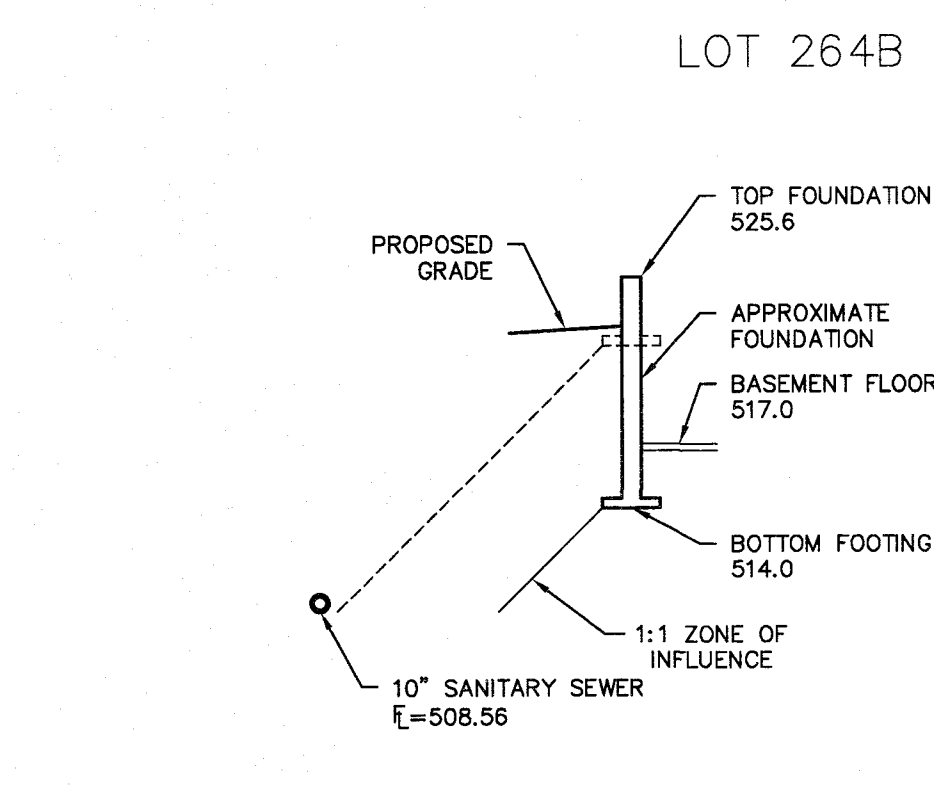
SECTION SAN-9
Scale: 1" = 10'



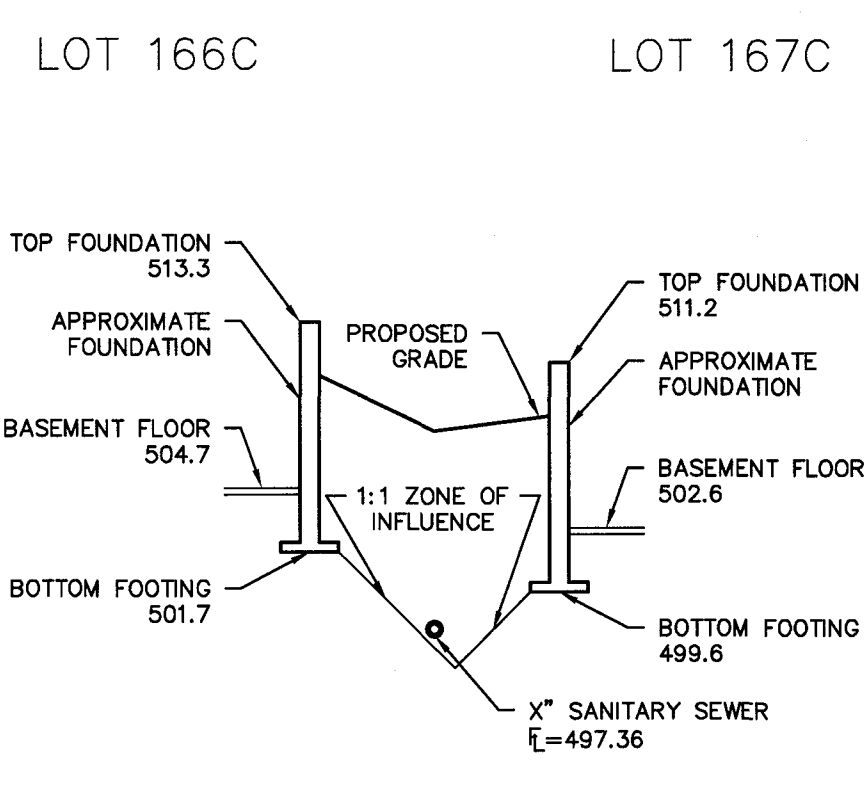
SECTION SAN-10
Scale: 1" = 10'



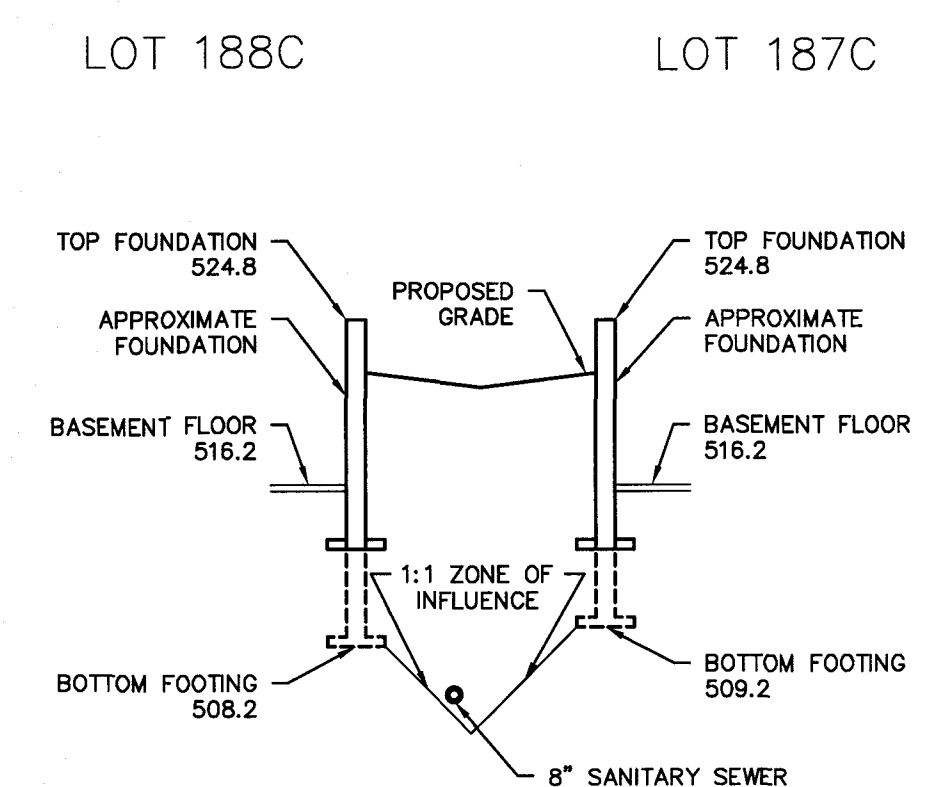
SECTION SAN-11
Scale: 1" = 10'



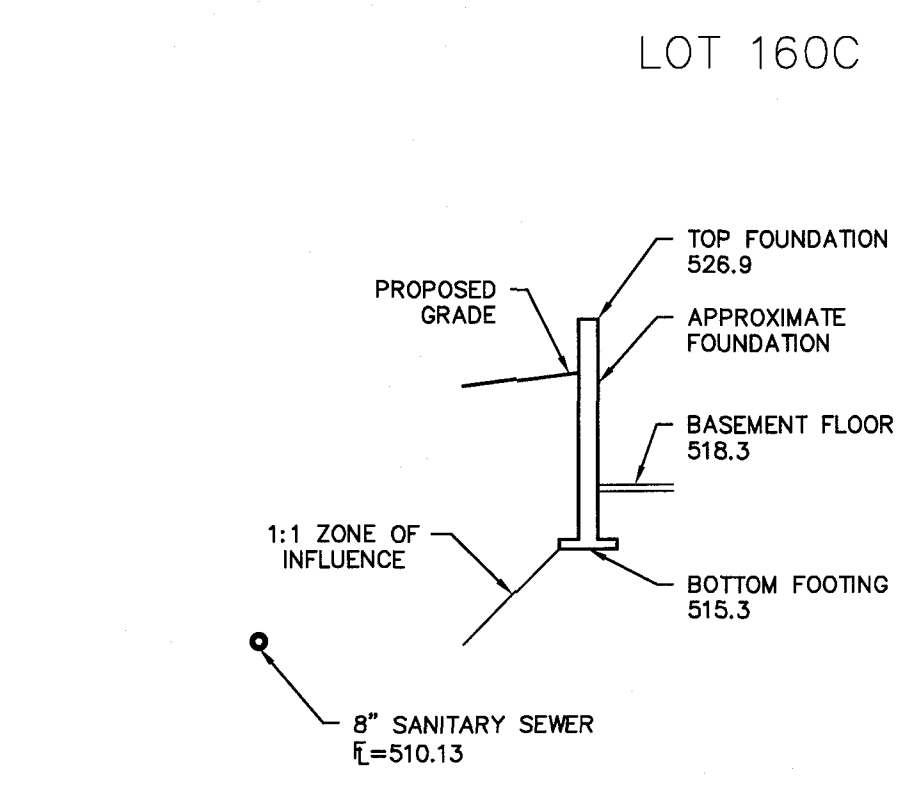
SECTION SAN-12
Scale: 1" = 10'



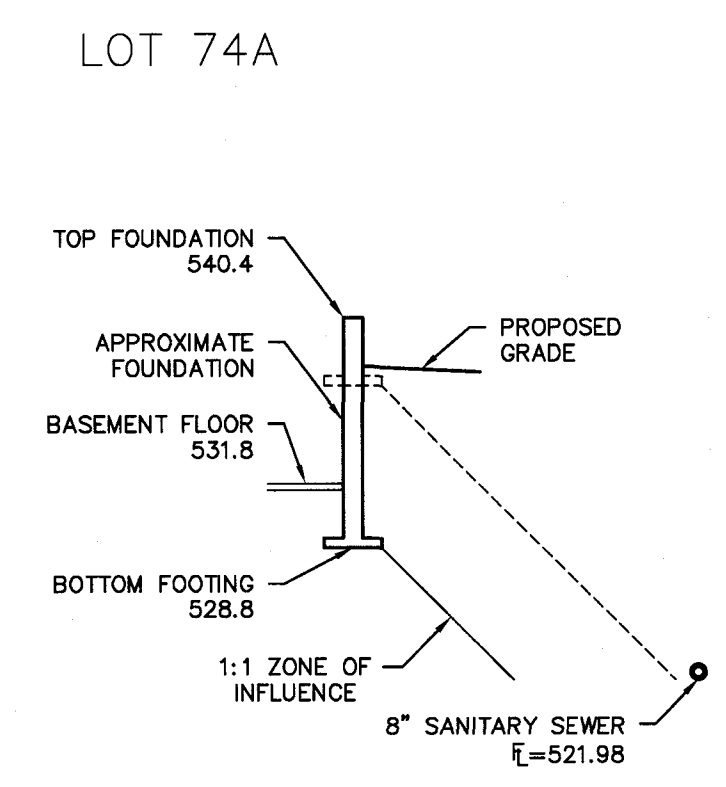
SECTION SAN-13
Scale: 1" = 10'



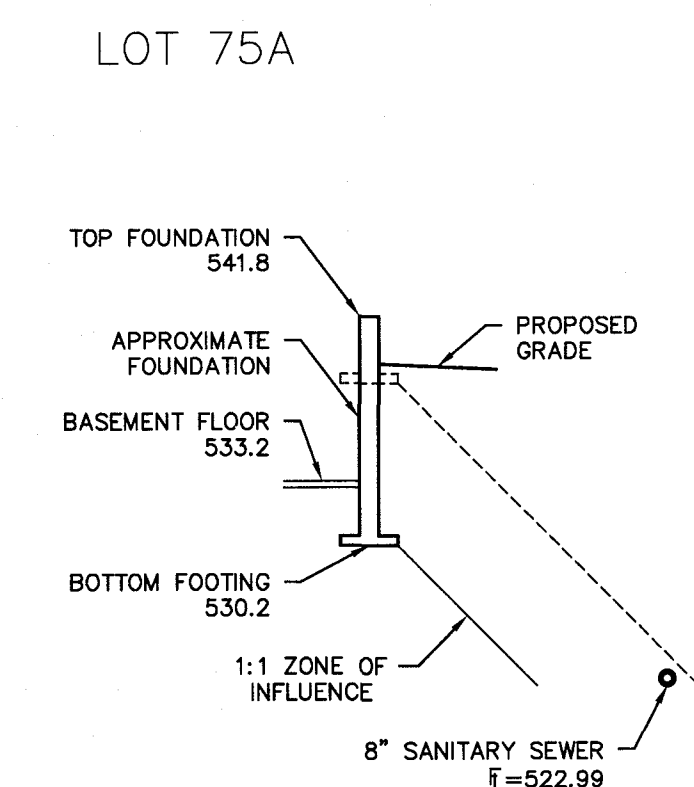
SECTION SAN-14
Scale: 1" = 10'



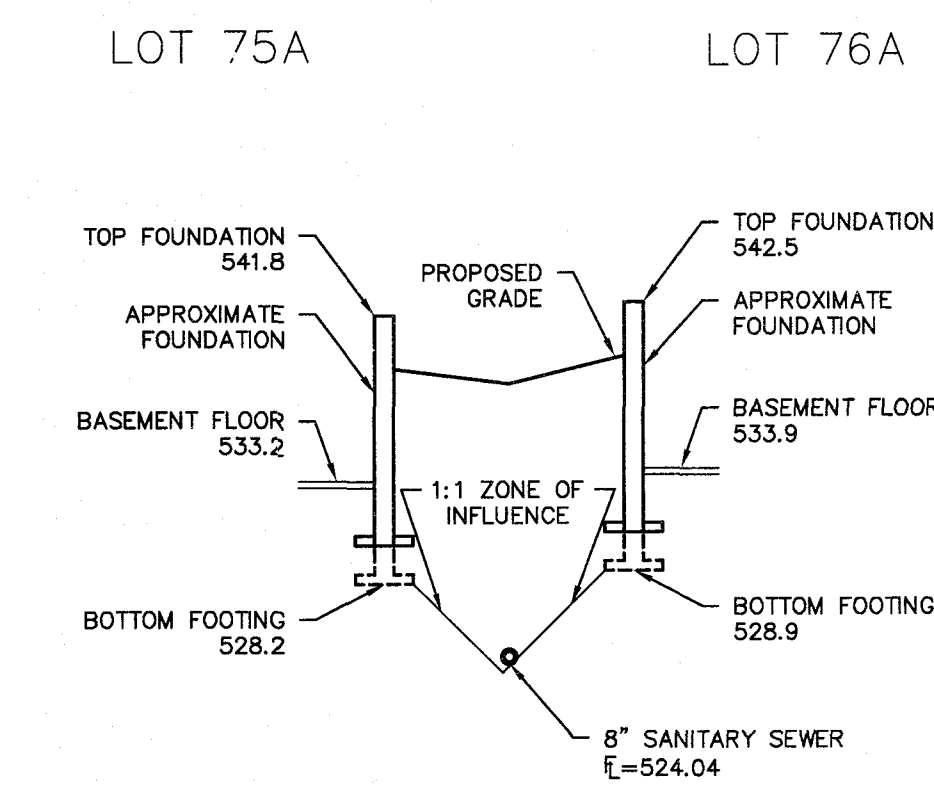
SECTION SAN-15
Scale: 1" = 10'



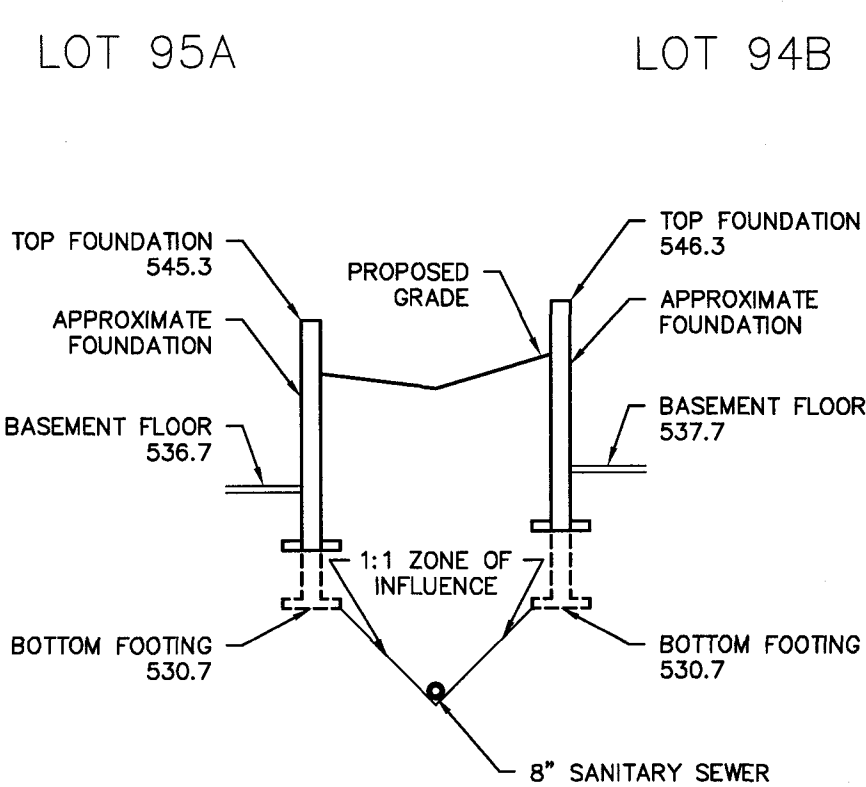
SECTION SAN-16
Scale: 1" = 10'



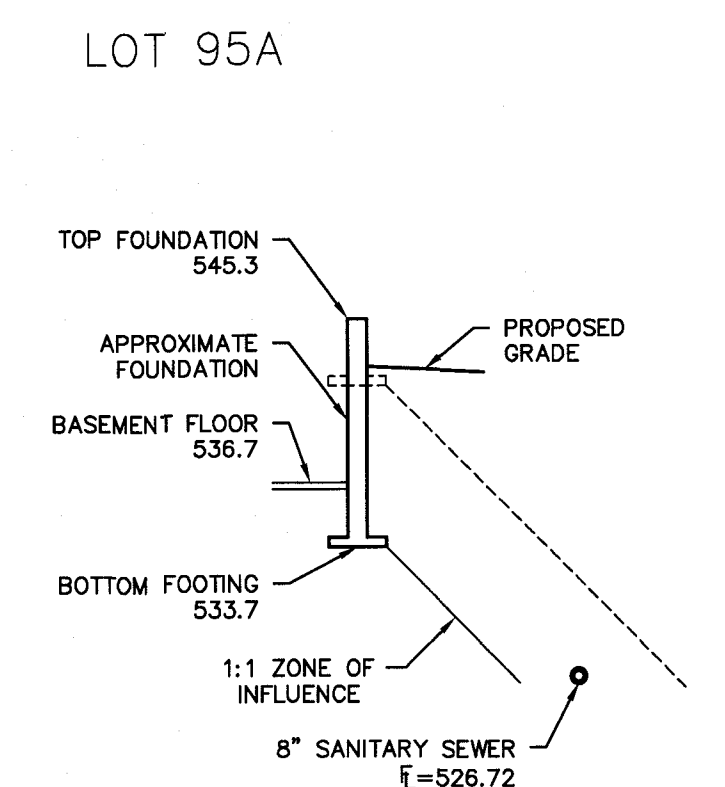
SECTION SAN-17
Scale: 1" = 10'



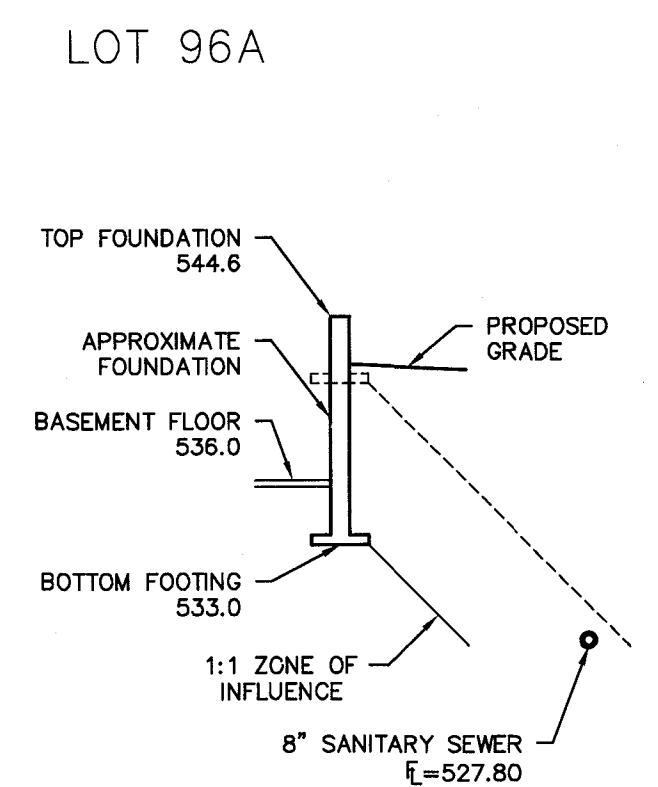
SECTION SAN-18
Scale: 1" = 10'



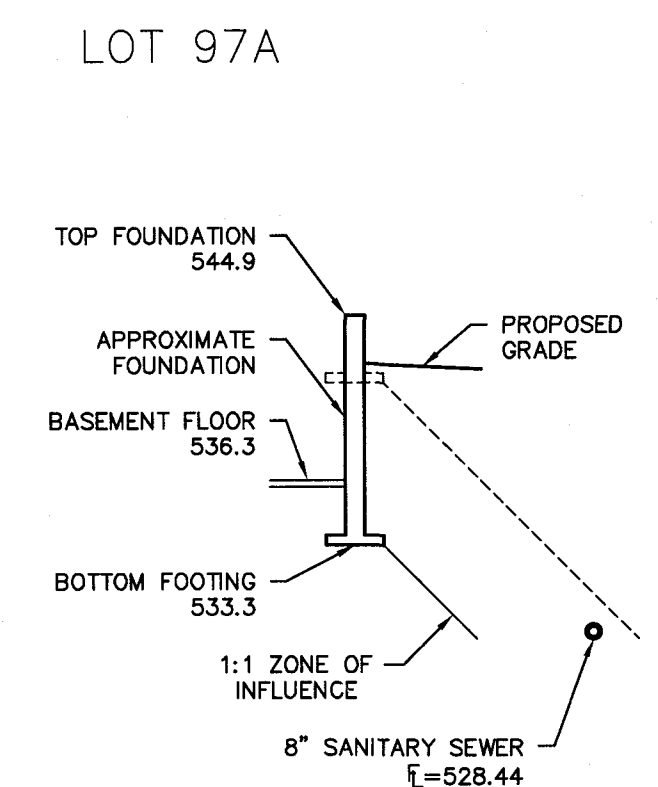
SECTION SAN-19
Scale: 1" = 10'



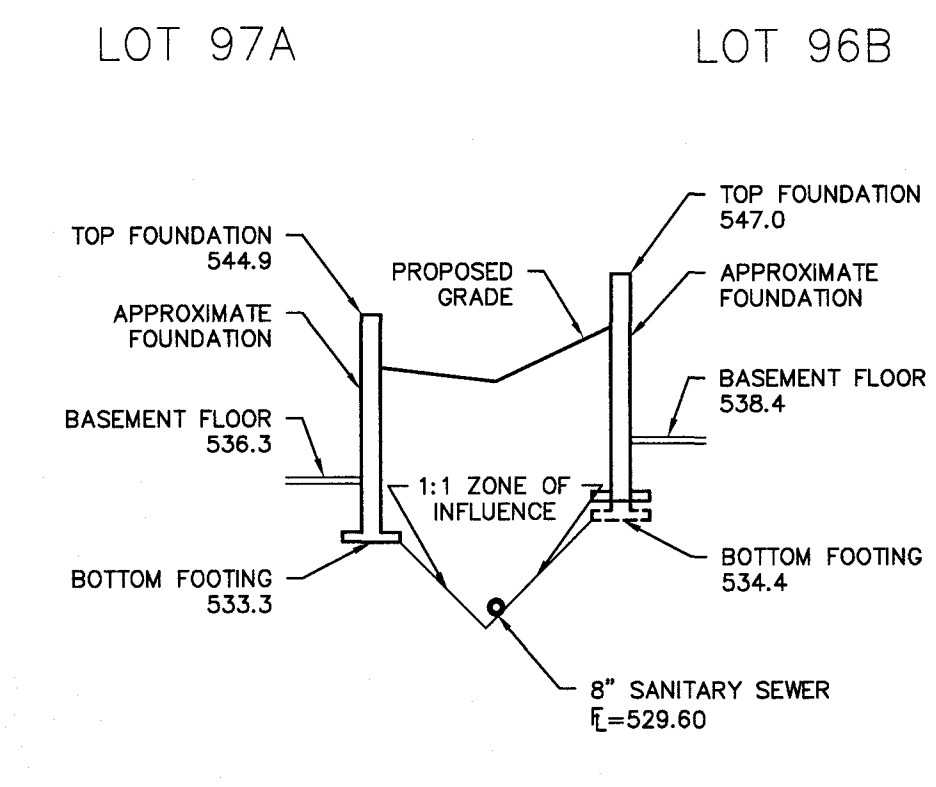
SECTION SAN-20
Scale: 1" = 10'



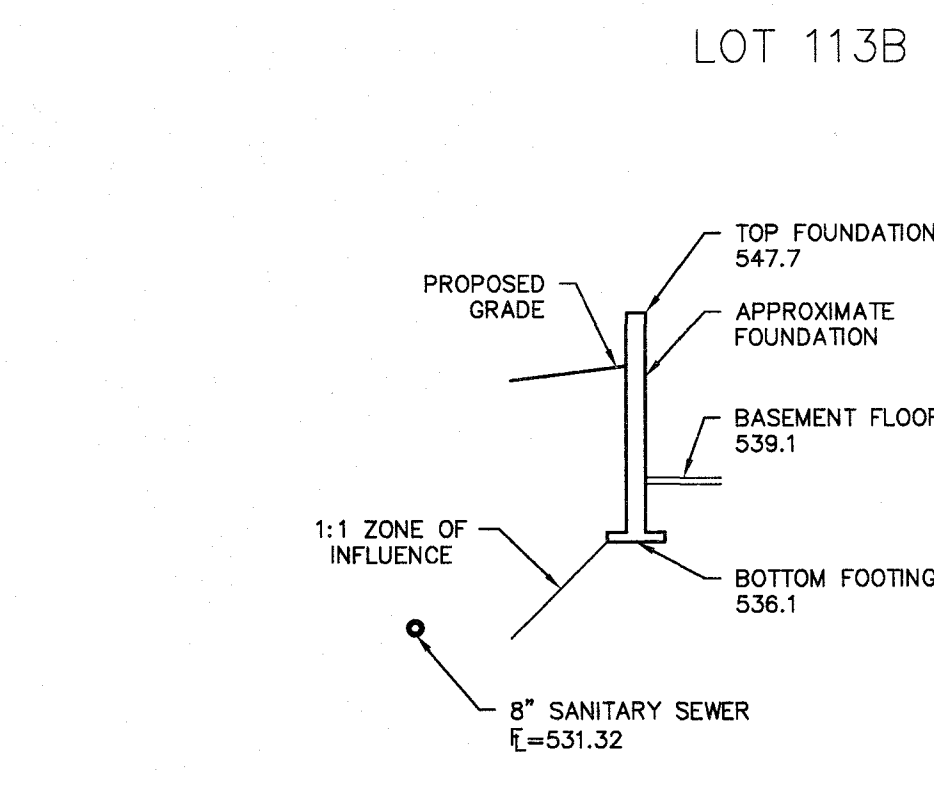
SECTION SAN-21
Scale: 1" = 10'



SECTION SAN-22
Scale: 1" = 10'



SECTION SAN-23
Scale: 1" = 10'

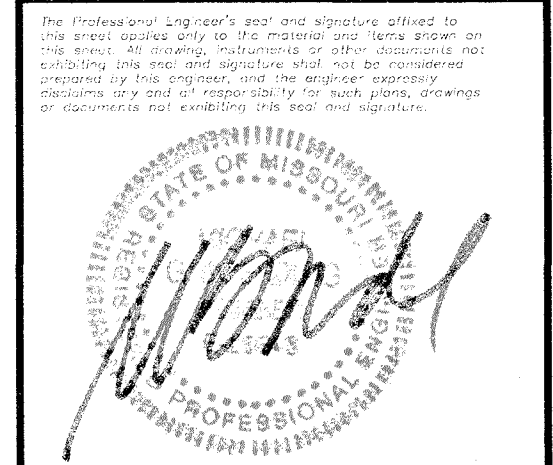


SECTION SAN-24
Scale: 1" = 10'

PROJECT TITLE

COBBLESTONE CROSSING
OF FALLON, MISSOURI

THE STERLING CO.
ENGINEERS & SURVEYORS
5065 New Baumgartner Road
St. Louis, Missouri 63129
Ph 314-487-0440 Fax 314-487-8944
www.sterling-eng-sur.com
Corporate Certificate of Authority #001348



Date: 8/7/2017
Michael G. Boerding
License No. MO E-28643
Civil Engineer

McBRIDE HYLAND GREEN, LLC
16091 SWINGLEY RIDGE ROAD, SUITE 300
CHESTERFIELD, MISSOURI 63017
Ph 636-537-2000
Fax 636-537-2546
www.mcbridehomes.com

SITE SECTIONS

P+Z No. 29-16.01
City No.
Date: Aug. 7, 2017
Job No. 16-08-239

Page No.

14.4

IMP

Drawing name: V:\1608239 Dames Park\Drawings\Engineering\Improvements\29-16.01-imp.dwg Plotted on: Aug 07, 2017 - 3:25pm Plotted by: jmlrnr