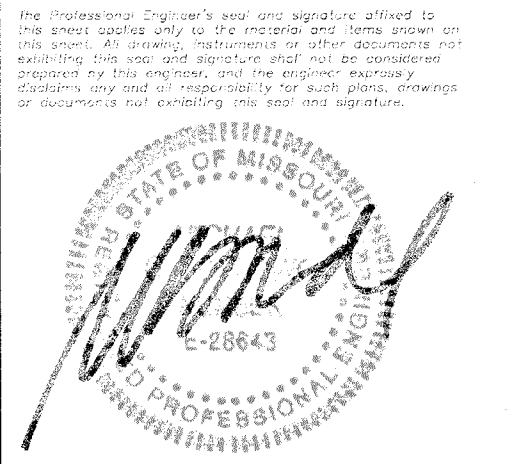


ISSUE	REMARKS/DATE
1	3-21-17 INITIAL SUBMITTAL
2	6-6-17 REVISED PER CITY COMMENTS
3	7-20-17 REVISED PER CITY COMMENTS
4	8-7-17 APPROVAL

PROJECT TITLE
COBBLESTONE CROSSING
 OF FALLON, MISSOURI

THE **STERLING** CO.
 ENGINEERS & SURVEYORS
 5055 New Baumgartner Road
 St. Louis, Missouri 63129
 Ph 314-487-0440 Fax 314-487-8844
 www.sterling-eng-survey.com
 Corporate Certificate of Authority #001348



Date: 8/7/2017
 Michael G. Boerding
 License No. MO E-28643
 Civil Engineer

McBRIDE HYLAND GREEN, LLC
 16091 SWINGLEY RIDGE ROAD, SUITE 300
 CHESTERFIELD, MISSOURI 63017
 Ph: 636-537-2000
 Fax: 636-537-2546
 www.mcbridehomes.com

RETAINING/HEADWALL DETAILS

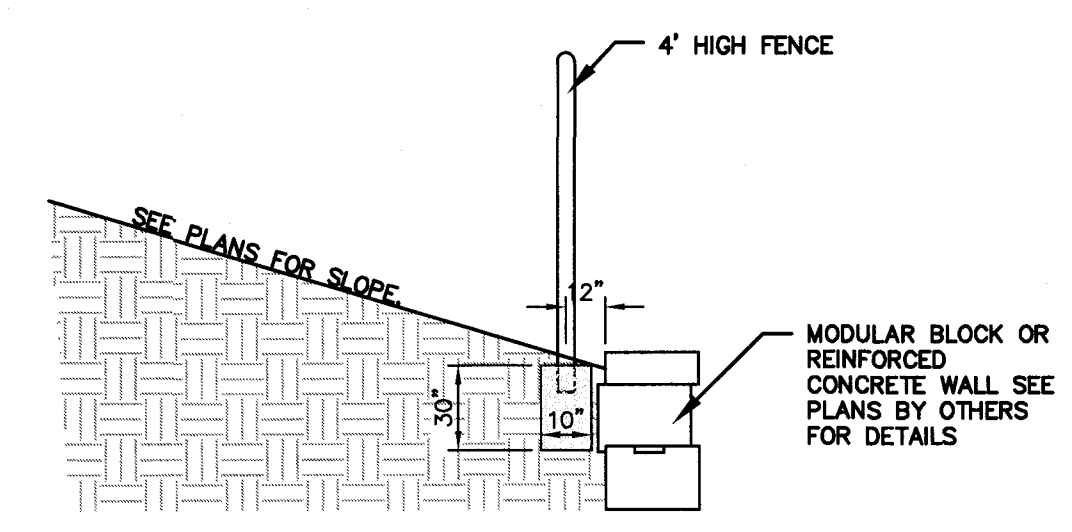
P+Z No. 29-16.01
 City No.
 Date: Aug. 7, 2017
 Job No. 16-08-239

Page No.
15.1

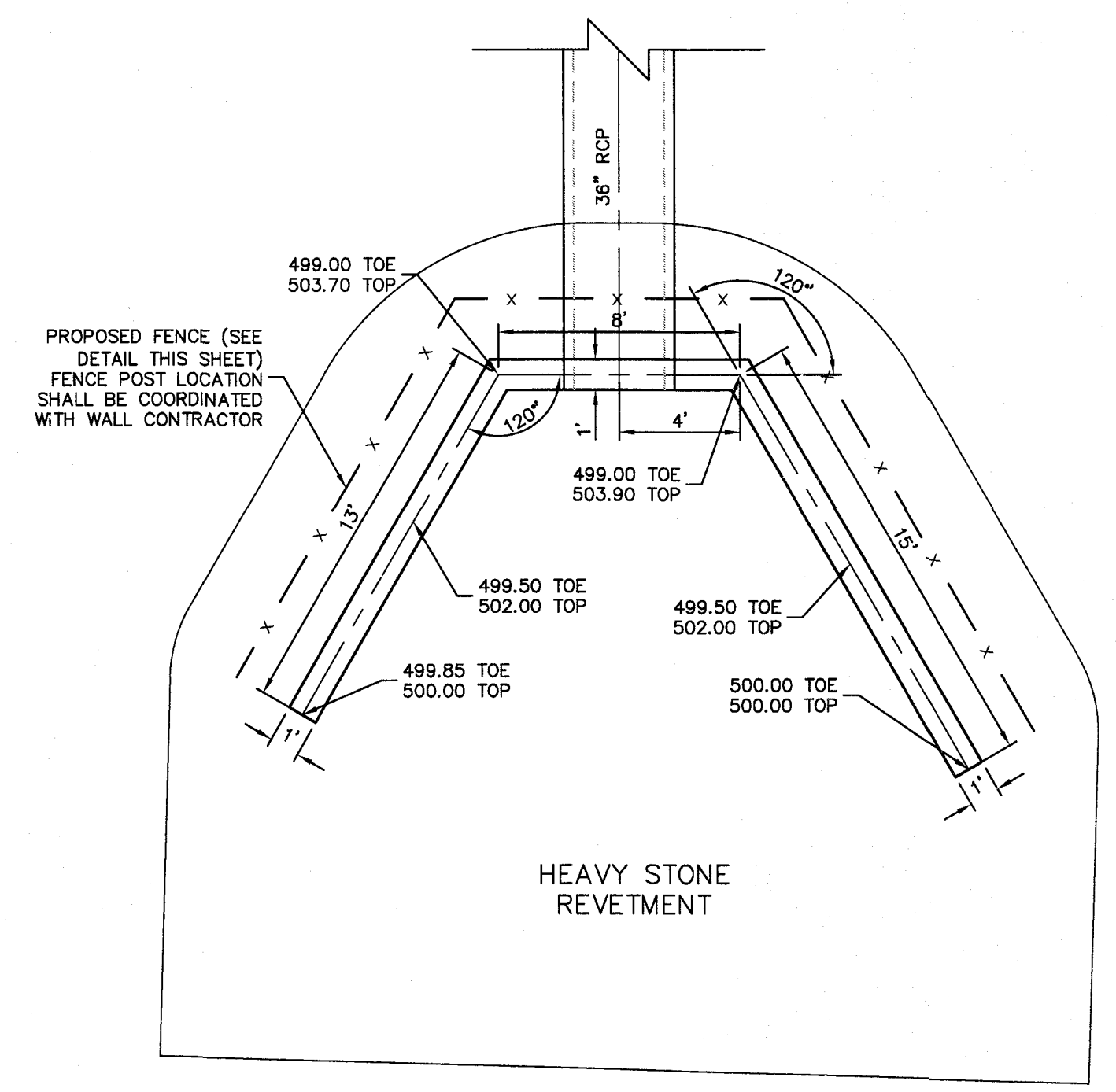
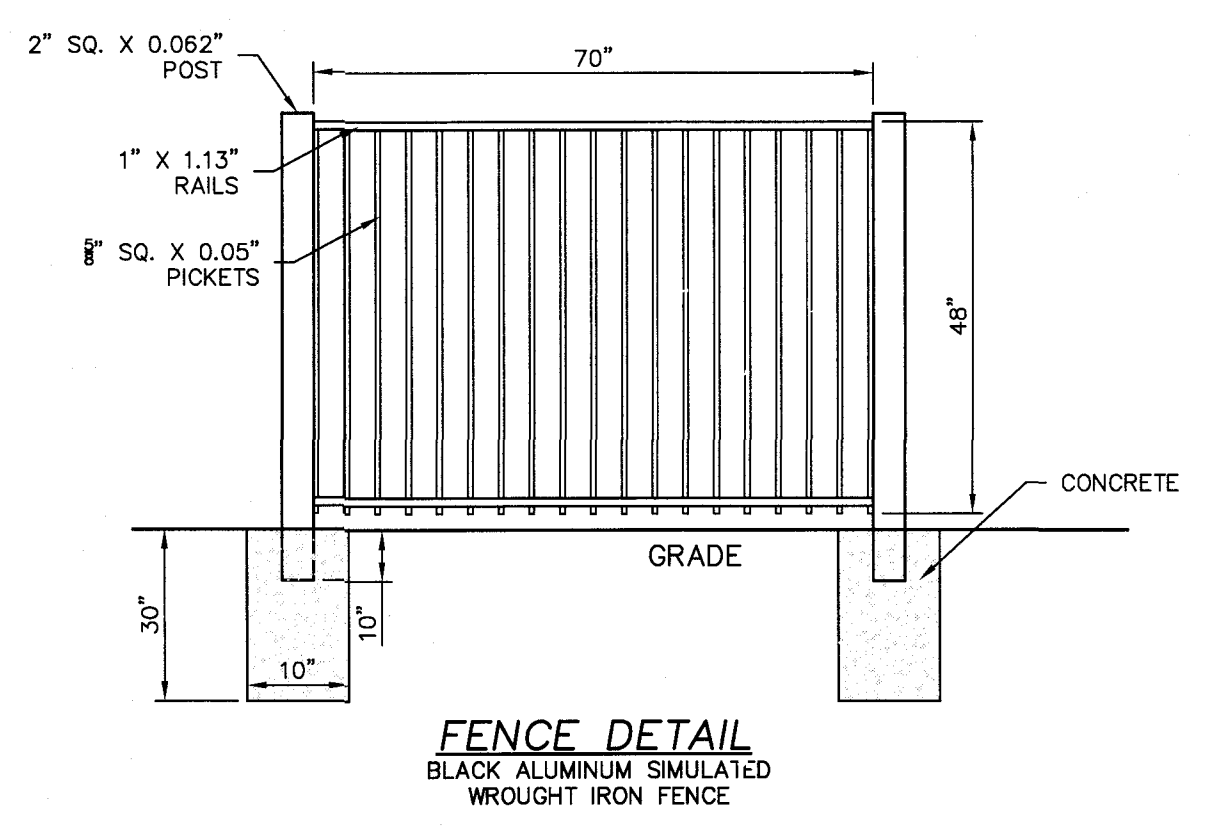
RETAINING WALL A

ID Point	Top Wall Elevation	Bottom Wall Elevation	Wall Height (ft)	Average Wall Height (ft)	Length (ft)	Area (sff)
A1	509.8	508.7	1.1	1.5	17	26
A2	509.9	508.0	1.9	3.3	50	165
A3	510.7	506.0	4.7	6.5	50	327
A4	512.4	504.0	8.4	10.1	50	503
A5	513.7	502.0	11.7	12.7	50	633
A6	513.6	500.0	13.6	14.1	31	437
A7	513.0	498.4	14.6	14.8	10	148
A8	513.0	498.0	15.0	16.0	47	752
A9	513.0	496.0	17.0	18.0	75	1350
A10	513.0	494.0	19.0	10.5	126	1323
A11	494.0	492.0	2.0			
TOTALS					506	5663

RETAINING WALL "A"
 SCALE: 1" = 20'



NOTE:
 FENCE TO BE INSTALLED 12" BEHIND TOP OF WALL. FENCE POST LOCATION SHALL BE COORDINATED WITH WALL CONTRACTOR.



HEADWALL EP 170 DETAIL
 SCALE: 1" = 5'

Drawing name: V:\1608239-Dames Park\Drawings\Engineering\Improvements\1608239-IMP.dwg Plotted on: Aug 07, 2017 - 3:25pm Plotted by: mlh/br