

ISSUE	REMARKS/DATE
1	3-21-17 INITIAL SUBMITTAL
2	6-6-17 REVISED PER CITY COMMENTS
3	7-20-17 REVISED PER CITY COMMENTS
4	8-7-17 APPROVAL

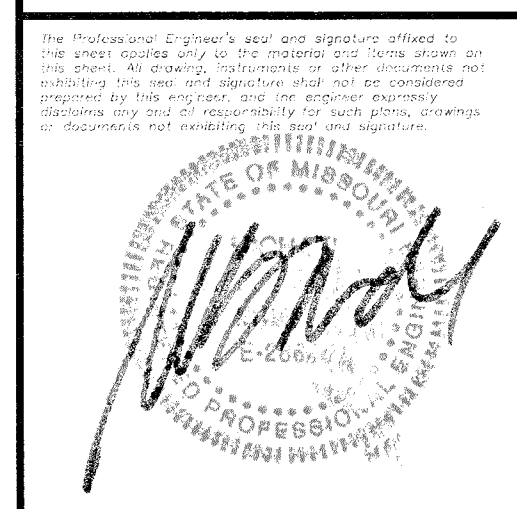
FOR REFERENCE ONLY. APPROVED WITH GARDING/SWPPP PLANS, PERMIT NO. GR17-00003

PROJECT TITLE

**COBBLESTONE  
CROSSING**  
OF FALLON, MISSOURI

**THE STERLING CO.**  
ENGINEERS & SURVEYORS

5065 New Baumgardner Road  
St. Louis, Missouri 63129  
Ph 314-487-0440 Fax 314-487-8944  
www.sterling-eng-sur.com  
Corporate Certificate of Authority #001348



Date: 8/7/2017  
Michael G. Boerding  
License No. MO E-28643  
Civil Engineer

**McBRIDE HYLAND GREEN, LLC**  
16091 SWINGLEY RIDGE ROAD, SUITE 300  
CHESTERFIELD, MISSOURI 63017  
Ph. 636-537-2000  
Fax 636-537-2546  
www.mcbriidehomes.com

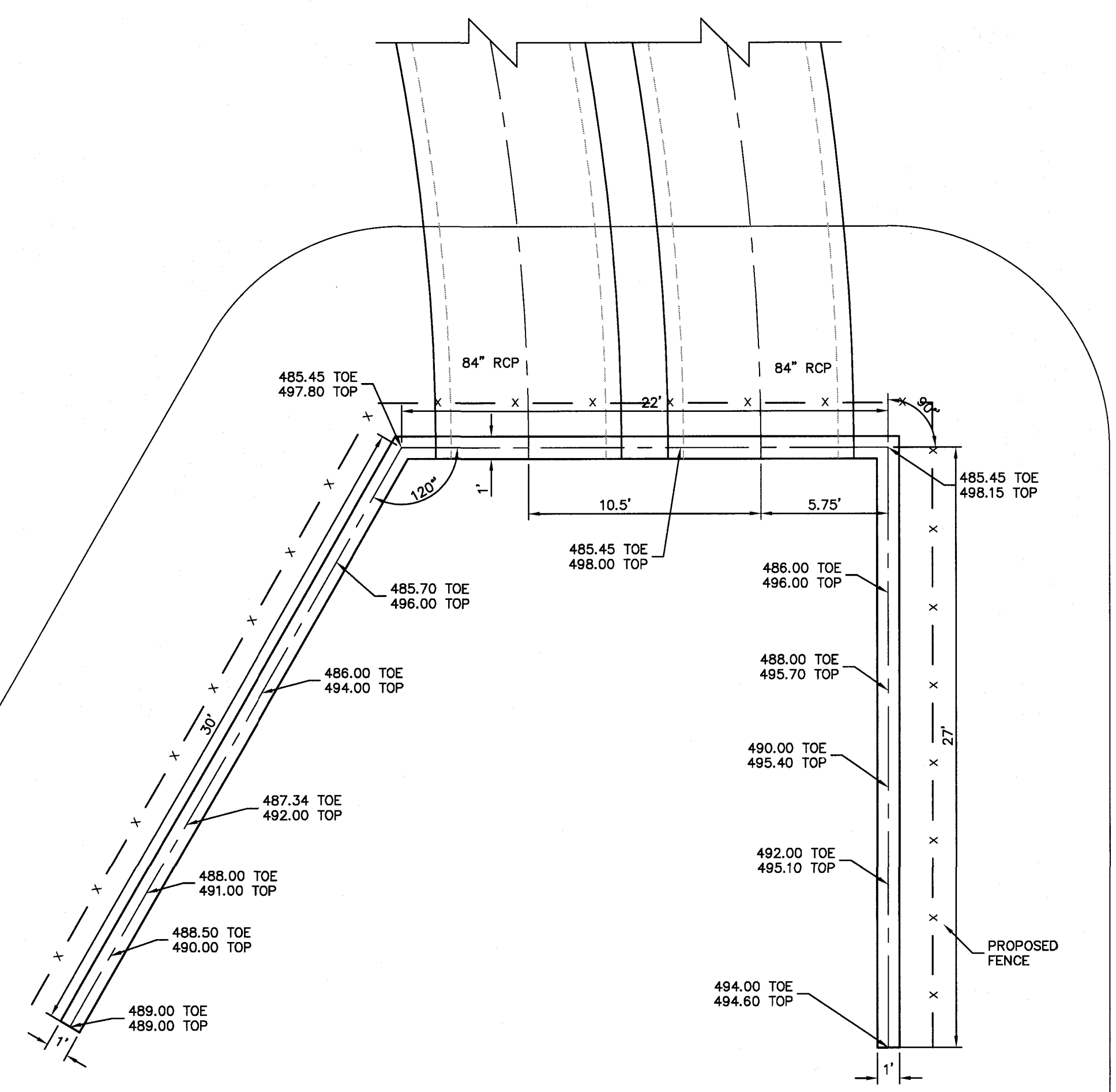
RETAINING/HEADWALL DETAILS

P+Z No. 29-16.01  
City No.  
Date: Aug. 7, 2017  
Job No. 16-08-239

Page No.

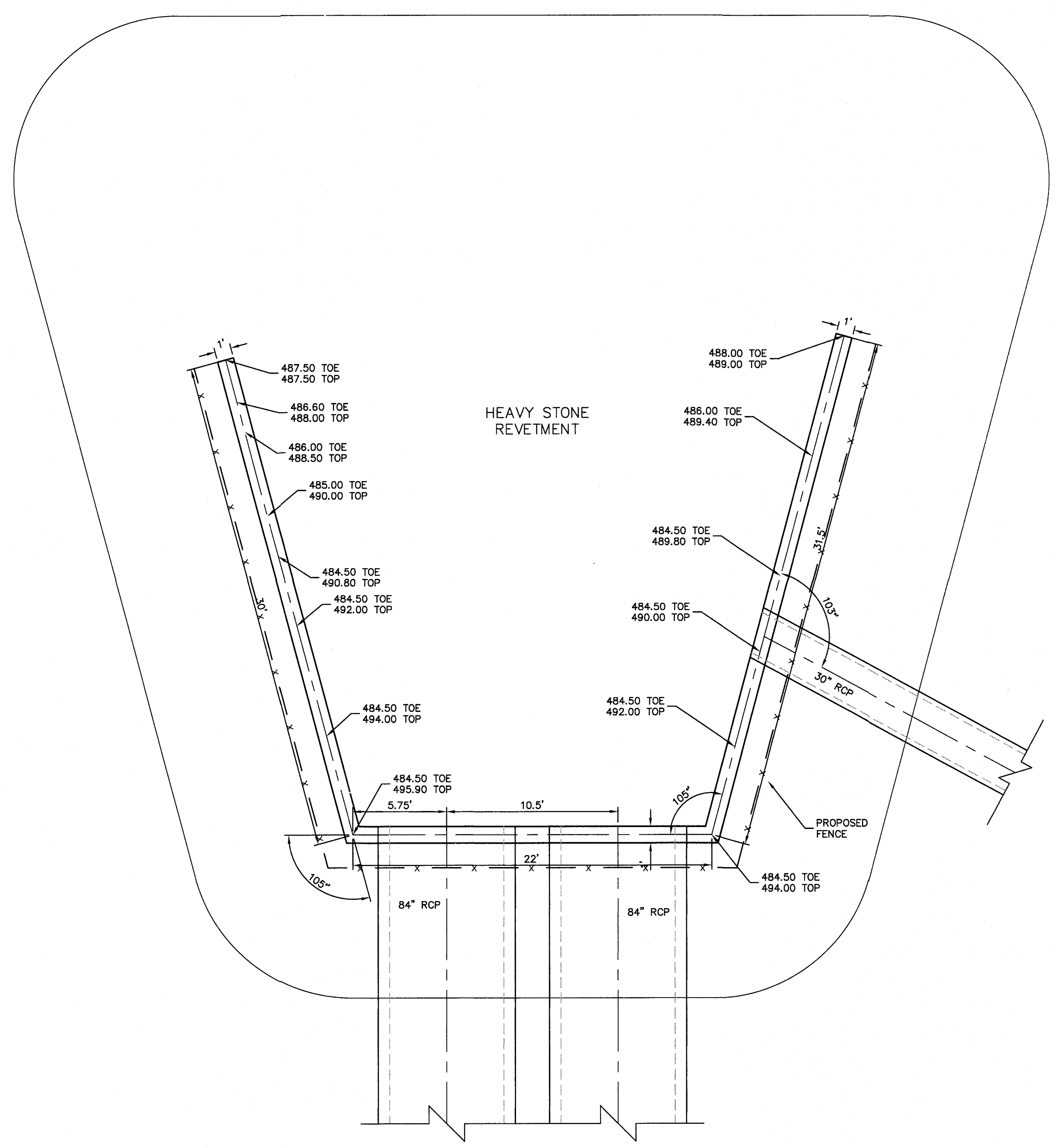
15.2

IMP



**HEADWALL EP 2 & 2A DETAIL  
(UPSTREAM)**

SCALE: 1" = 5'



**HEADWALL EP 1 & 1A DETAIL  
(DOWNSTREAM)**

SCALE: 1" = 5'

Drawing name: V:\1608239 Dames Park\Drawings\Engineering\Improvements\239 Imp.dwg Picked on: Aug 07, 2017 - 3:26pm Plotted by: jmhiner