

PROJECT TITLE:
COLUMBIA MEADOWS

COLUMBIA MEADOWS

ENGINEERING
PLAYING
SURVEYING
22 Point View Blvd
St. Charles, MO 63001
636-928-5562
FAX 928-1718



DISCLAIMER OF RESPONSIBILITY
I hereby specify that the documents intended to be authorized by my seal are limited to this sheet, and I hereby disclaim any responsibility for all other drawings, specifications, estimates, reports or other documents or instruments relating to or intended to be used for any part or parts of the architectural or engineering project or projects.

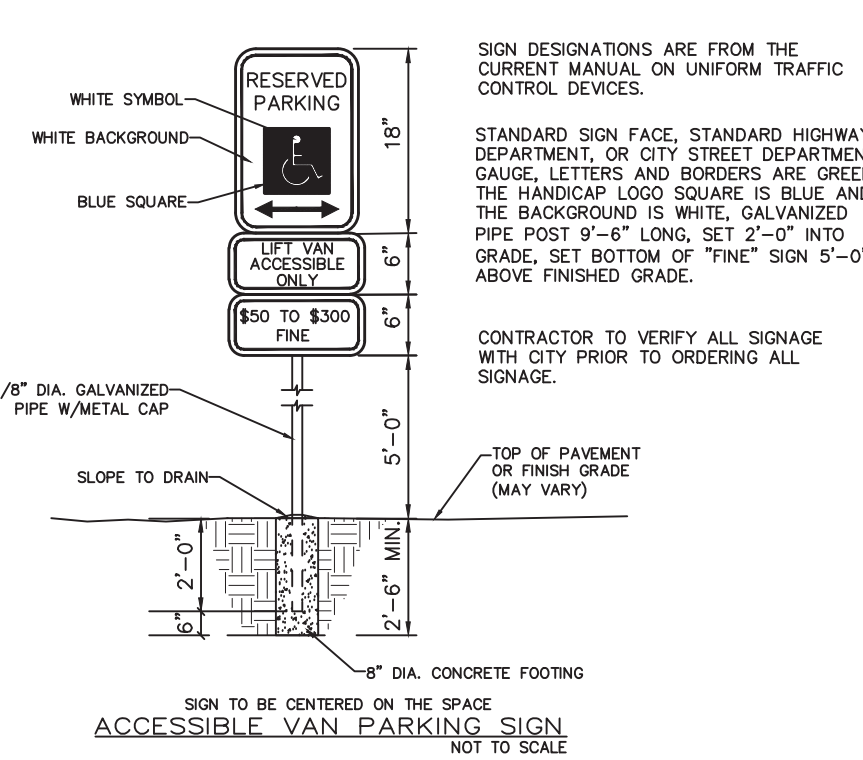
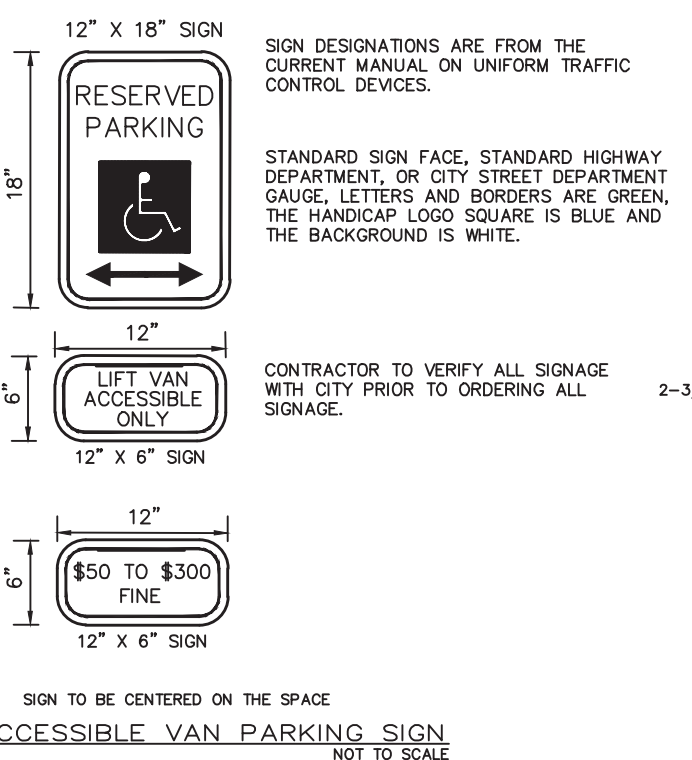
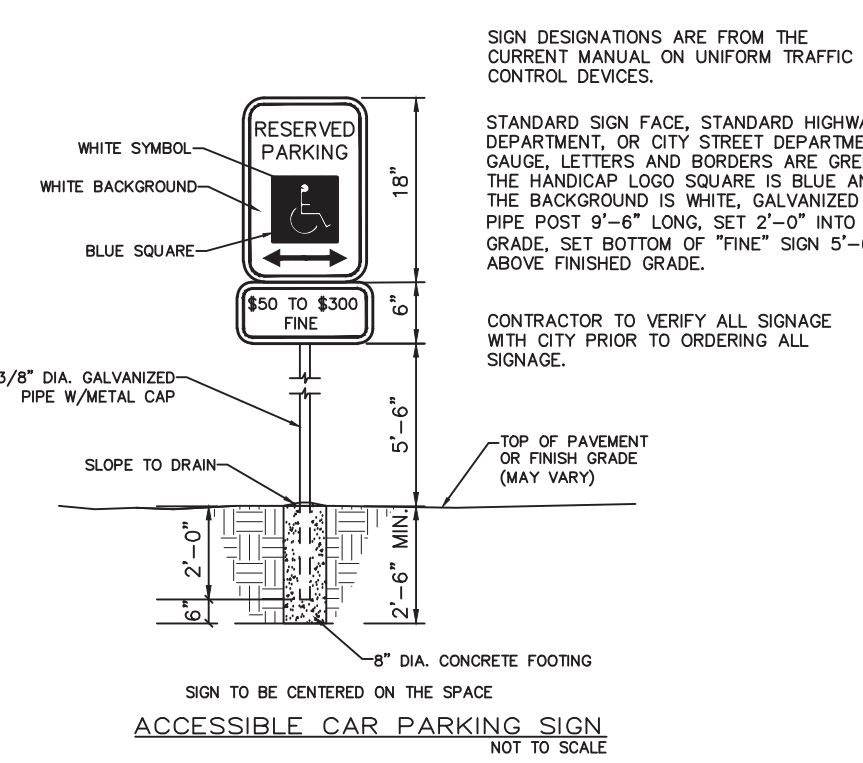
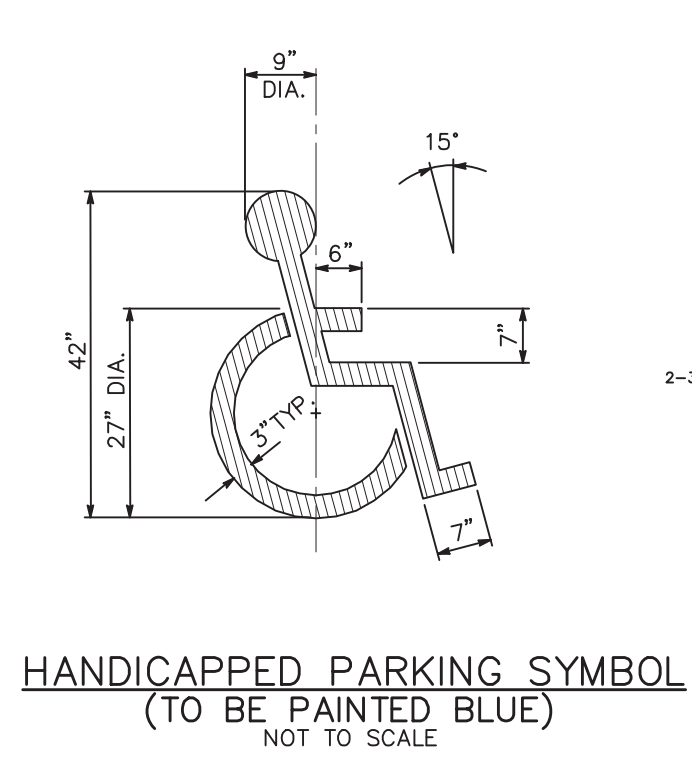


JEFFREY B. SIMMONS
CIVIL ENGINEER
2007030831
Copyright © 2020
Box Engineering Company, Inc.
Authority No. 000655
All Rights Reserved

REVISIONS	
10/13/20	CITY COMMENTS
01/08/21	CITY COMMENTS
02/10/21	CITY COMMENTS
02/23/21	CITY COMMENTS

Developer / Owner:
Alpha Land Development Two, L.L.C.
612 Trade Center Boulevard
Chesterfield, MO 63005
314-721-7779

P+Z No. #19-004868
Approval Date: 07/23/2020
City No. #?
Page No. 22 of 38



Box Project # 18-17484 Issue Date: 08/12/2020

SIGNAGE, STRIPING AND JOINT PLAN