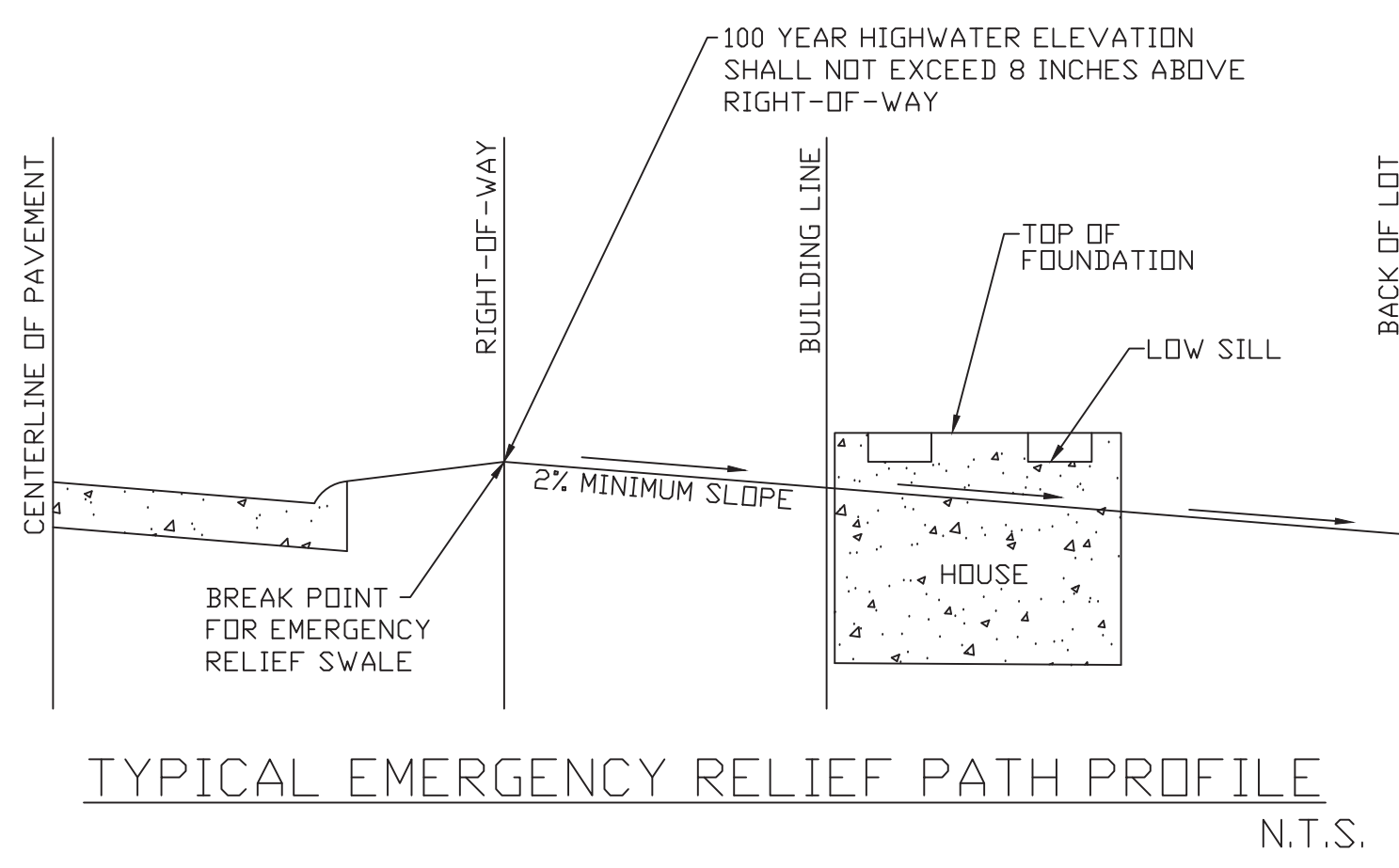
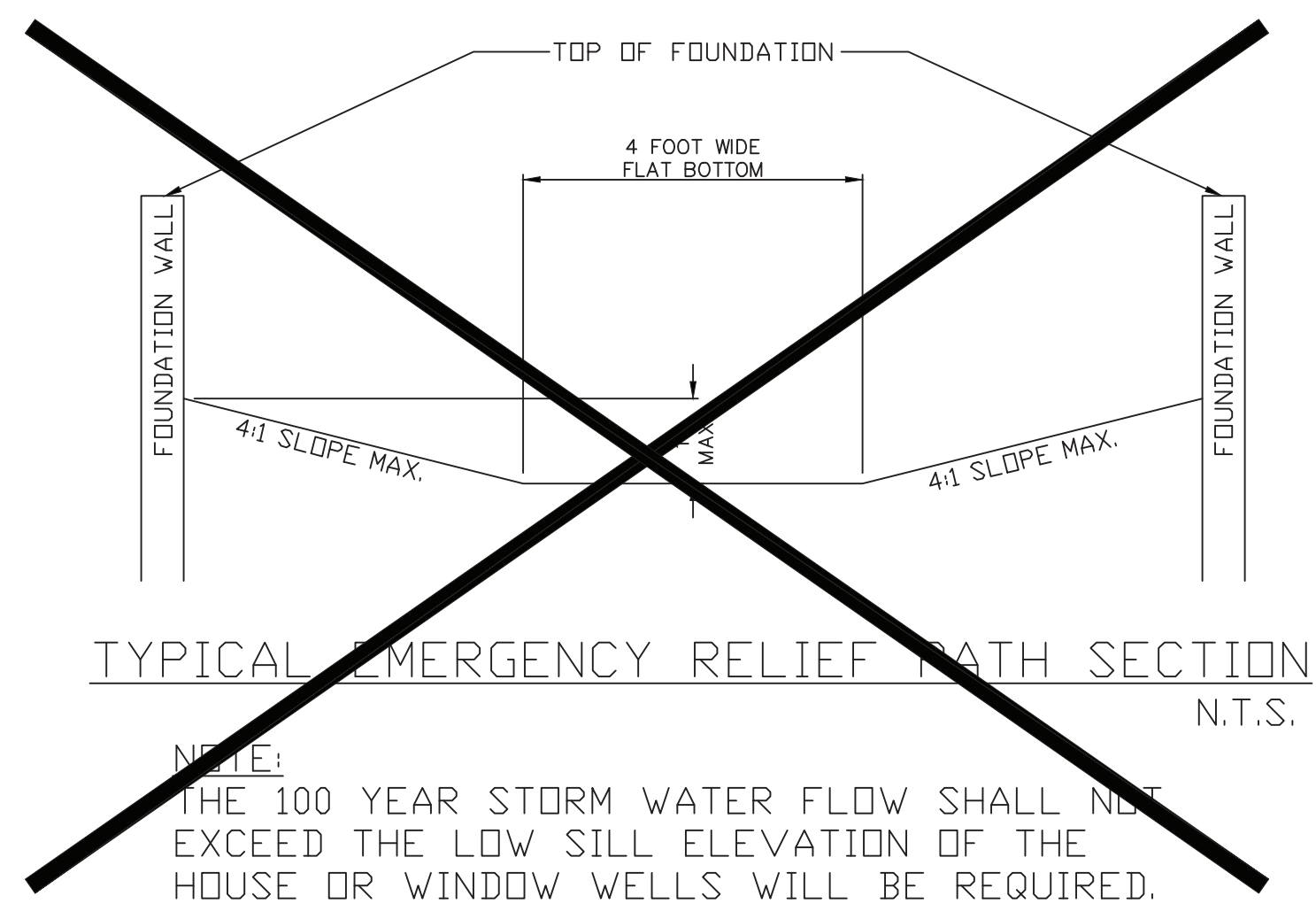
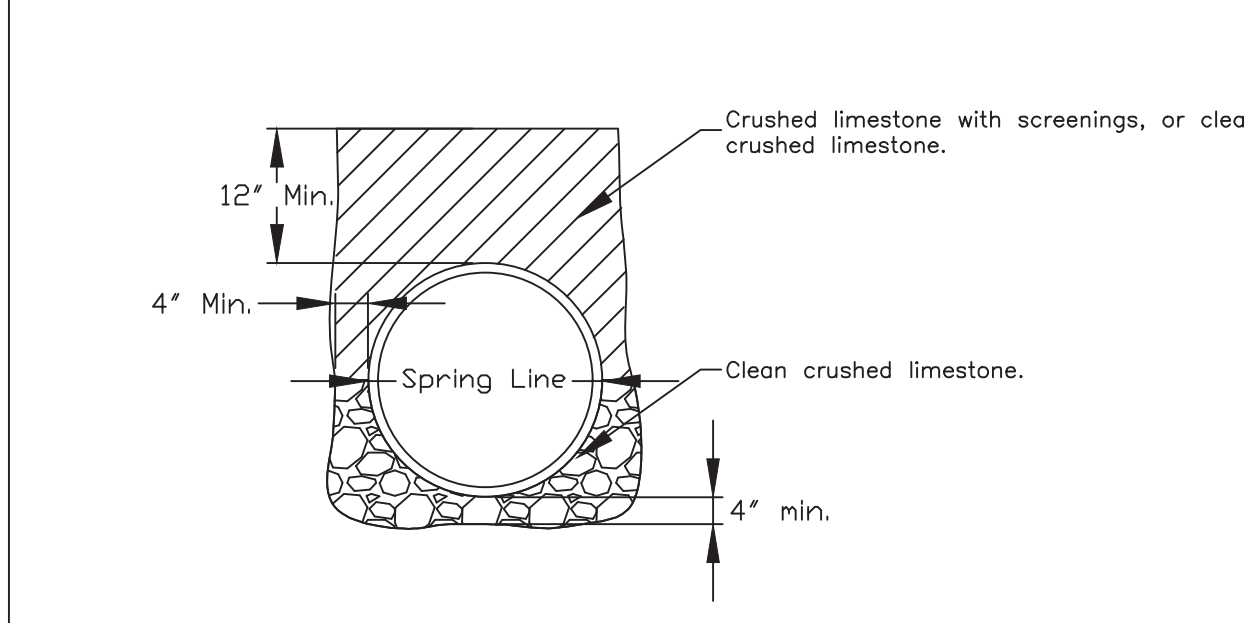
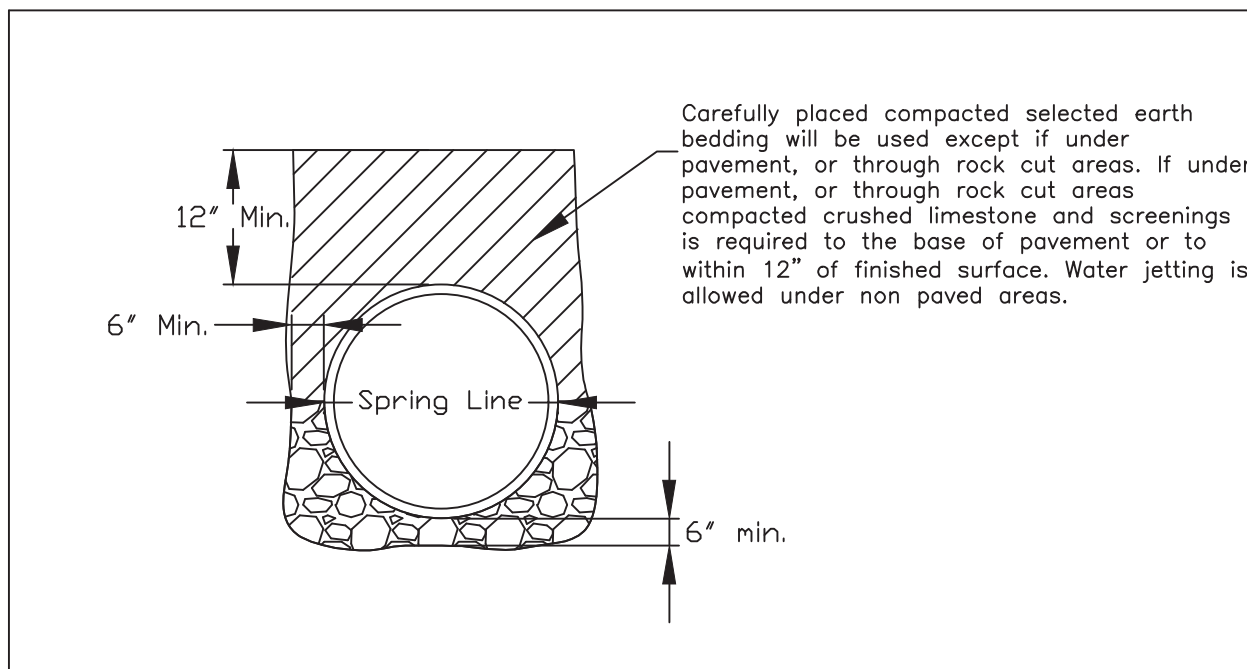


* All other Storm or Sanitary Sewer Details will be by M.S.D. Standards and Specifications.
 ** All inlets shall have 5/8" trash bar centered with the opening(s).



NOTE:
TYPICAL YARD SWALES SHALL BE A MINIMUM OF 6" DEEP.

NO DUMPING
CITY OF O'FALLON - MISSOURI
DRAINS TO STREAM

Public inlets only.

Also available at East Jordan foundry

MATERIAL: CAST GRAY IRON ASTM A-48, CLASS 35B
FINISH: NO PAINT UNLESS SPECIFIED ON PURCHASE ORDER
WEIGHT: 85 LBS.

SCALE: 1/8"=1'
4580 COVER

NEENAH FOUNDRY
NEENAH, WISCONSIN 54956
PHONE: 920-338-1599
LINCOLN, NEBRASKA 68309
PHONE: 800-224-7468

NF-4580-272B

CAD DWG. REF: 4580-2727.DWG- 1

* The City of O'Fallon must be provided with a symbol/medallion for review and approval prior to installation. Contact the City if any information is needed.

Size	Style	Adhesive	Message (Part #)
3 7/8" TO 4"	Crystal Cap or Standard Style	Epoxy	No Dumping Drains to Waterway

City will also allow the precast inlet stone with a similar message as an approved alternate to the marker.

PLAN VIEW OF CURB INLET

PLAN VIEW OF AREA INLET

Public or Private inlets

CITY OF O'FALLON
ENGINEERING DEPARTMENT
O'FALLON, MISSOURI

STORM DRAIN MARKER LOCATION

PROJECT TITLE:
COLUMBIA MEADOWS

ENGINEERING
PLANNING
SURVEYING
221 Point View Blvd.
St. Charles, MO 63301
636-928-5552
FAX 636-928-1718

DISCLAIMER OF RESPONSIBILITY
I hereby specify that the documents intended to be authenticated by my seal are limited to this sheet, and I hereby disclaim any responsibility for all other drawings, specifications, estimates, reports or other documents or instruments relating to or intended to be used for any part or parts of the architectural or engineering project or survey.

REVISIONS	
10/13/20	CITY COMMENTS
01/08/21	CITY COMMENTS
02/10/21	CITY COMMENTS
02/23/21	CITY COMMENTS

Developer / Owner:
Alpha Land Development Two, L.L.C.
612 Trade Center Boulevard
Chesterfield, MO 63005
314-721-7779

STORM AND SANITARY DETAILS

P+Z No. #19-004868
Approval Date: 07/23/2020
City No. #?
Page No.
29 of 38

ENGINEERS SEAL DOES NOT APPLY TO CITY OF O'FALLON DETAILS ON THIS SHEET.

LAST SAVE: 12/22/2021 8:29:58 AM
FILE LOCATION: \\LOCAL\ADMINISTRATIVE\30 PROJECTS\19-004868-00 STORM AND SANITARY CONSTRUCTION\PLAN SET.DWG

Box Project # 19-17484 Issue Date: 08/12/2020