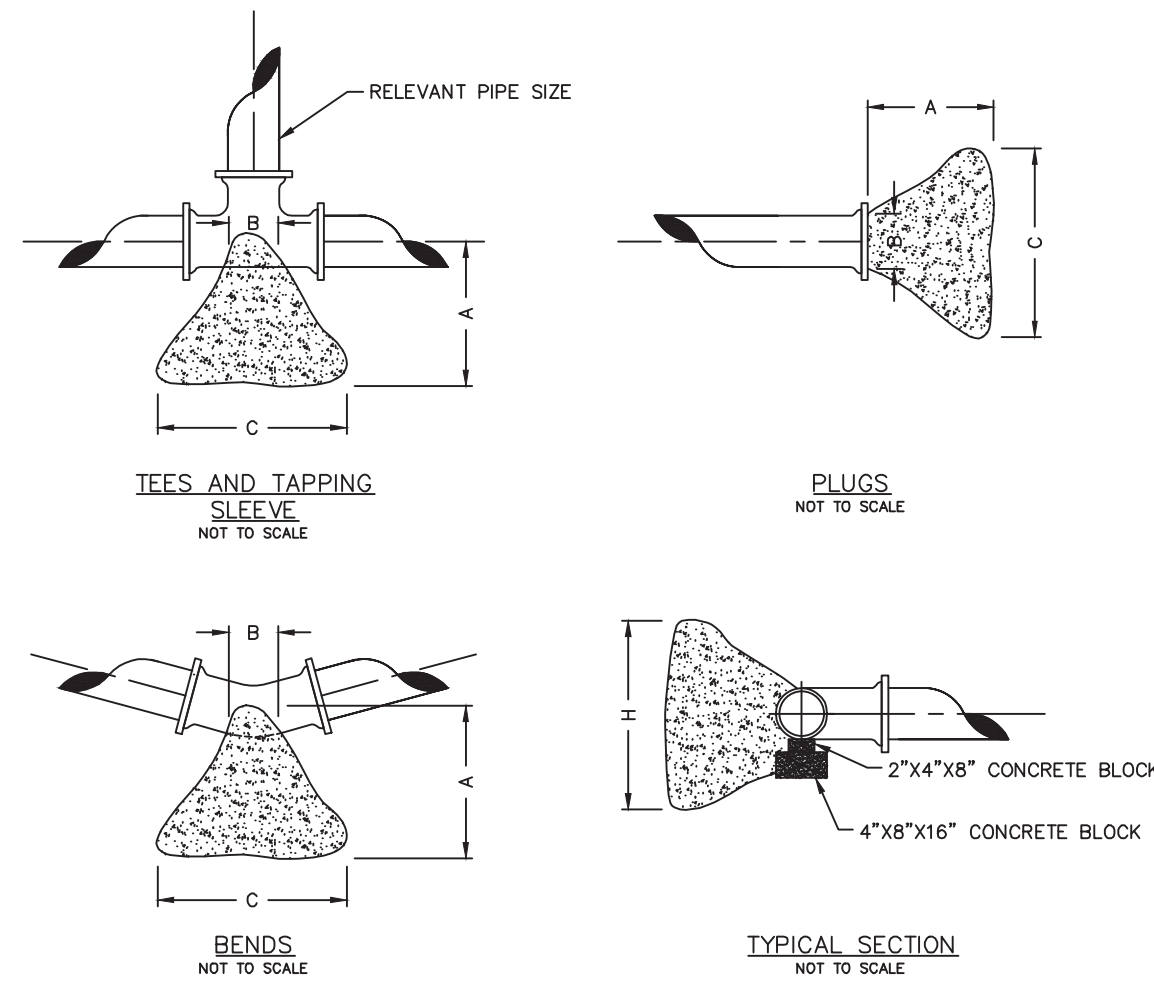


NOTE: THIS DETAIL IS FROM PWS#2



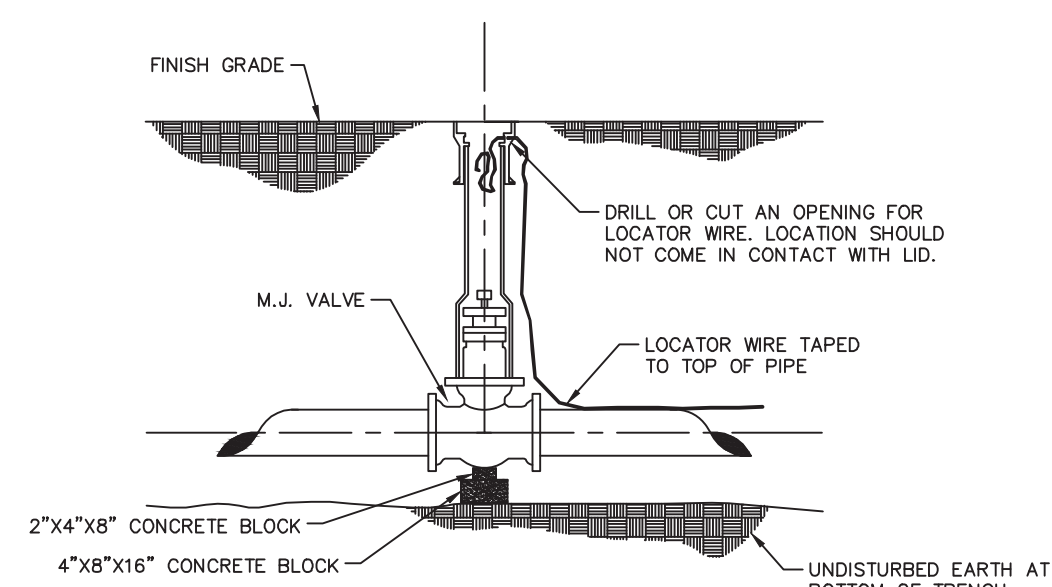
THRUST BLOCK DIMENSIONS - INCHES												
PIPE DIA.	ALL FTGS.		TEE PLUG TAPPING		90 DEGREE BEND		45 DEGREE BEND		22-1/2 BEND		11-1/4 BEND	
	A	B	C	H	C	H	C	H	C	H	C	H
4	14	4	24	12	26	15	18	12	12	12	12	12
6	16	6	36	18	36	24	30	18	24	12	18	12
8	20	8	36	30	42	36	36	24	24	18	18	12
10	20	10	48	36	66	36	36	36	28	24	18	18
12	24	12	68	36	82	42	52	36	40	24	28	18

NOTE
FOR FITTINGS LARGER THAN 12", SPECIAL RESTRAINT DESIGNS ARE REQUIRED.

HORIZONTAL THRUST BLOCKING
DETAIL "C"

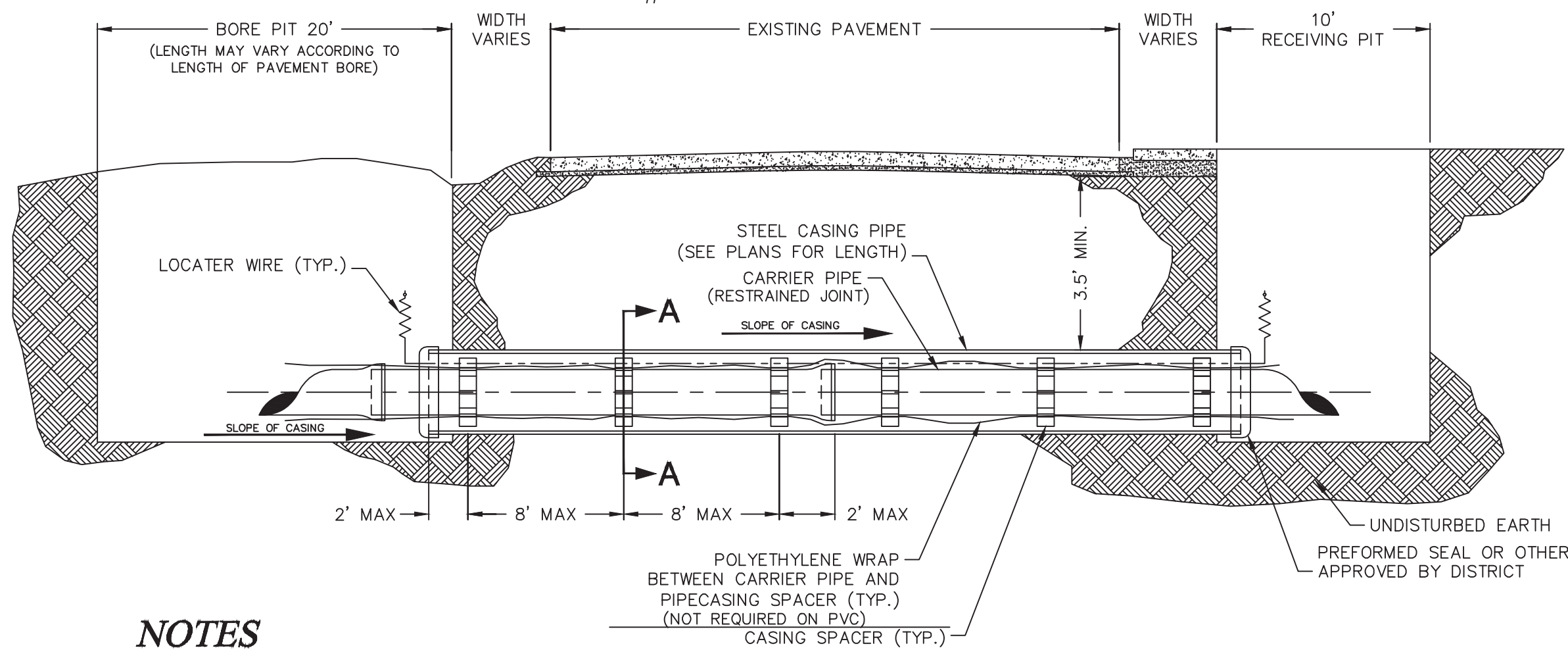
NOTE: THIS DETAIL IS FROM PWS#2

Buffalo box is an acceptable product to use.
Tyler 562-S and 564-S are acceptable products.



GATE VALVE DETAIL
NOT TO SCALE
DETAIL "D"

NOTE: THIS DETAIL IS FROM PWS#2



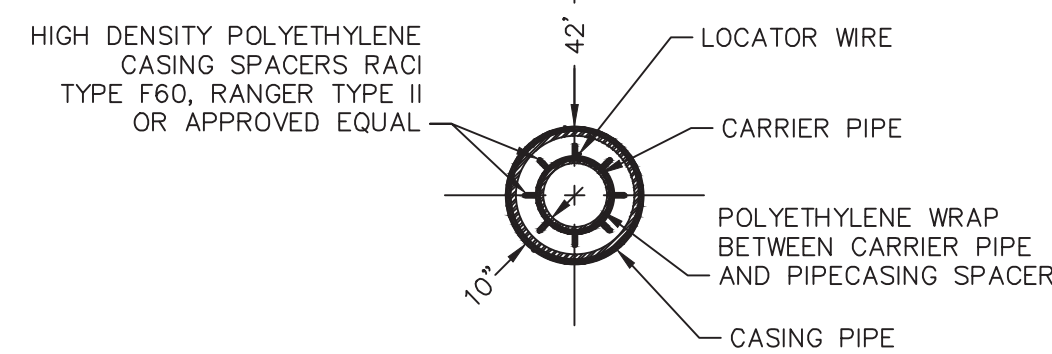
NOTES

- A. INSTALLATION OF THE CASING AND CARRIER PIPES SHALL MEET THE REQUIREMENTS OF PUBLIC WATER SUPPLY DISTRICT No. 2 OF ST. CHARLES COUNTY.
- B. CASING PIPES FOR ROAD AND HIGHWAY CROSSINGS SHALL BE WELDED STEEL PIPE WITH A MINIMUM WALL THICKNESS OF 1/4" NON-COATED AND SHALL HAVE A MINIMUM DIAMETER OF 10" LARGER THAN THE NOMINAL SIZE OF THE CARRIER PIPE.
- C. THE CARRIER PIPE SHALL BE RESTRAINED JOINT PIPE

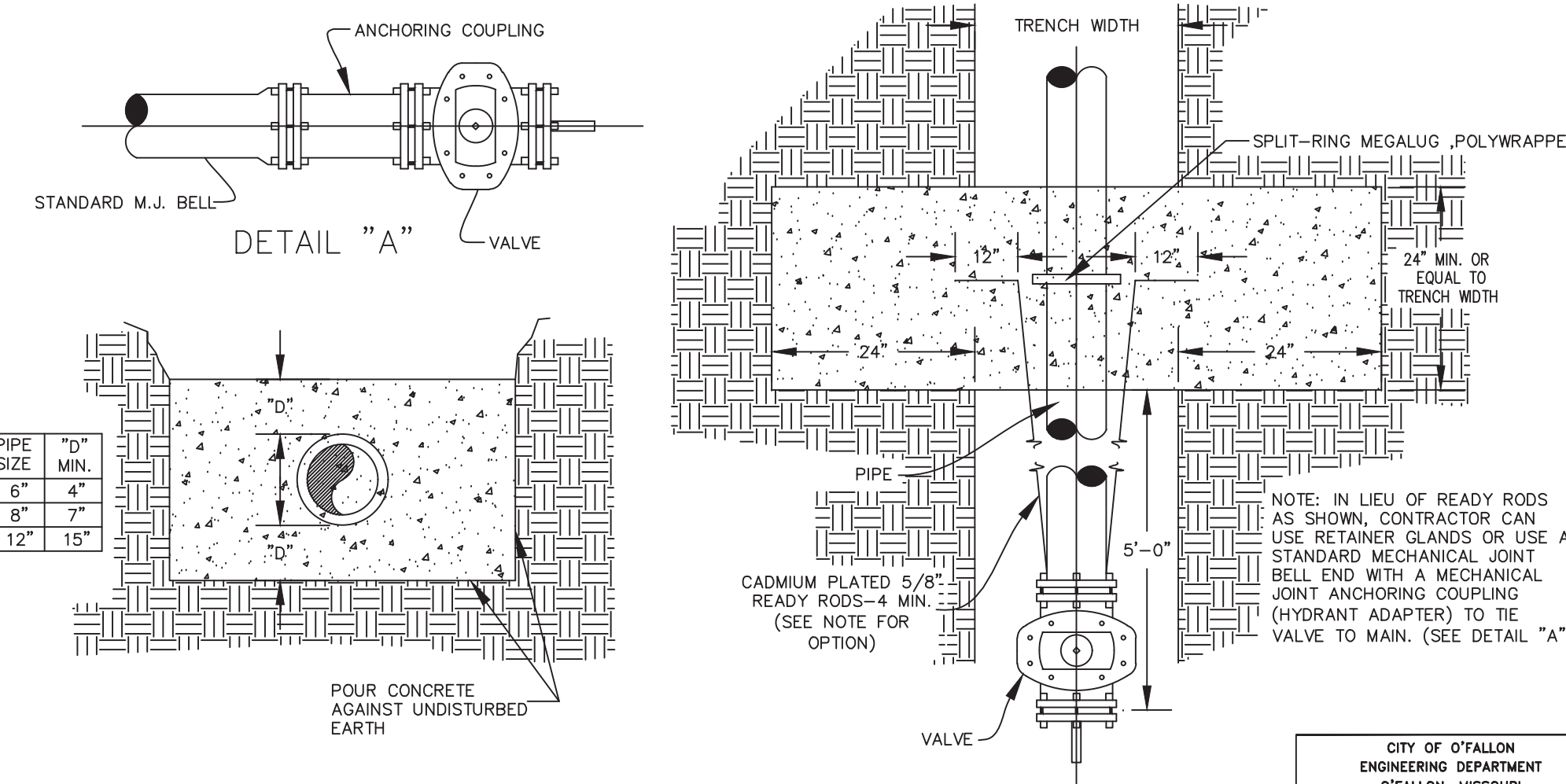
FOR SANITARY SEWER BORES, SEE THE MSD DETAIL

TYPICAL WATER BORE AND ENCASEMENT
DETAIL "H"

PLAN VIEW
NOT TO SCALE

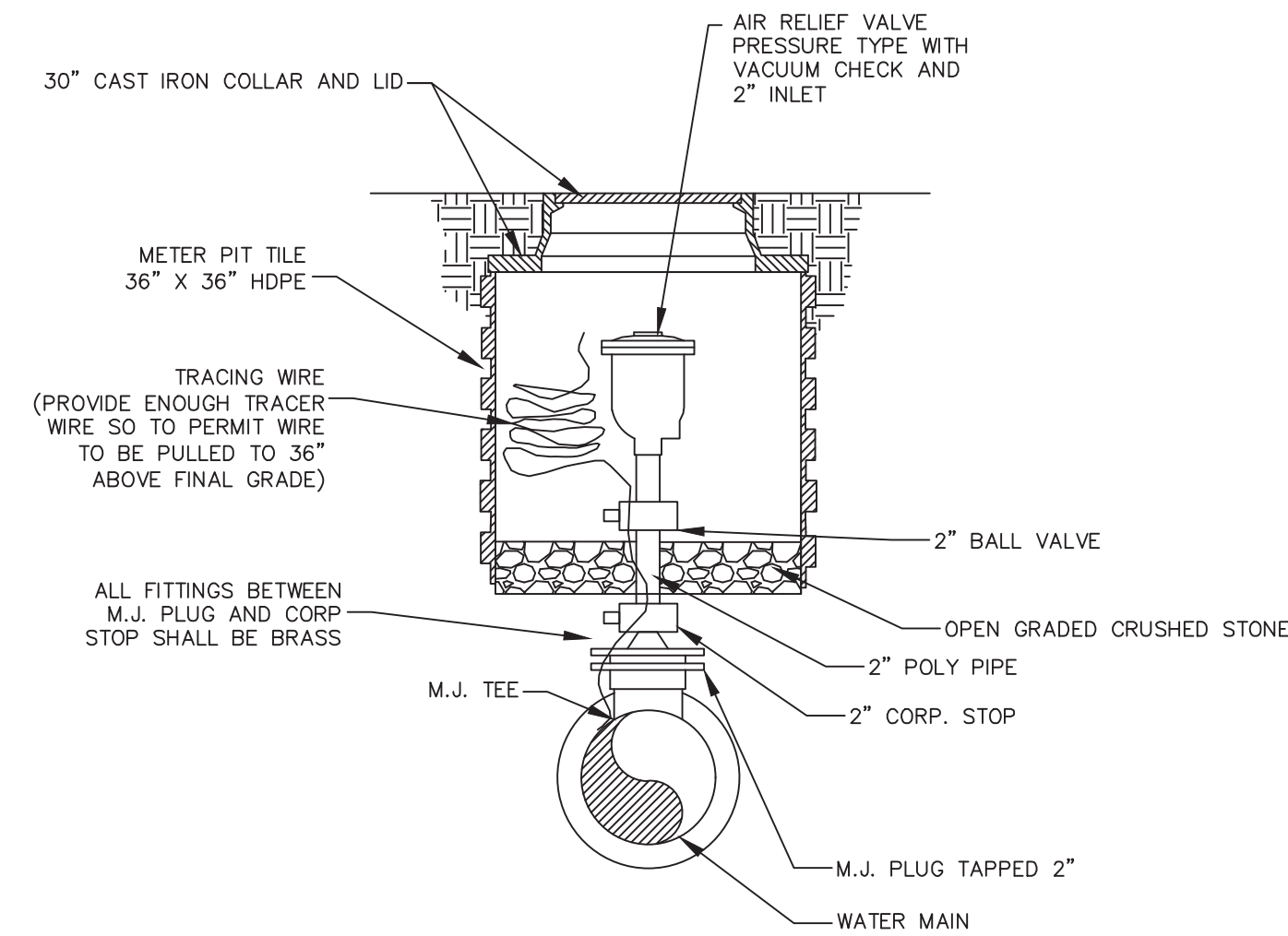


SECTION A-A
NOT TO SCALE



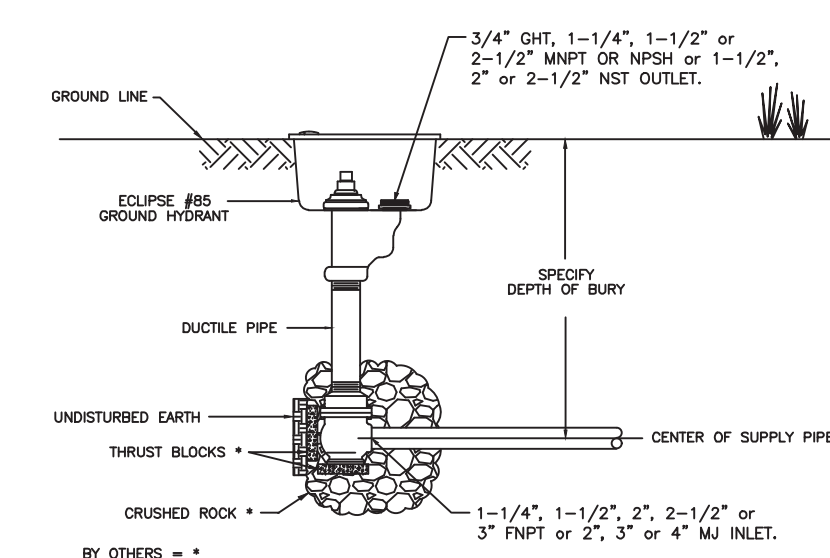
CROSS BLOCK DETAIL
NOT TO SCALE

CROSS BLOCK DETAILS



AIR RELIEF ASSEMBLY
NOT TO SCALE

ECLIPSE NO. 85 GROUND HYDRANT



Ground Hydrants shall be self-draining, non-freezing, compression type with a 1-3/8" main opening, and operated with a "T" handle operating handle. Inlet shall be (2", 2-1/2" & 3" FNPT, or 2", 3" or 4" M.J.). Outlet shall be (3/4" GHT or 1", 1-1/4", 1-1/2", 2" or 2-1/2" MNPT or 1-1/2", 2" or 2-1/2" NST).

Hydrants shall have a (ductile iron (STD), galvanized steel, stainless steel, or brass) exterior casing pipe, a galvanized (STD), stainless steel or brass) interior non-turning operating rod with a heavy wall (cast iron (STD), or brass) box and locking lid.

Principal interior operating parts shall be brass, bronze and aluminum and be removable for servicing without excavating the hydrant.

Ground Hydrants shall be set in 4 cubic feet of crushed stone to allow for proper drainage of the hydrant. Recommendations of the AWWA should be followed when installing the hydrant.

Hydrants shall be Eclipse No. 85 Eclipse Blow-Off Hydrant as manufactured by John C. Kupferle Company, St. Louis, MO or approved equal.

BLOW-OFF DETAIL

NO.	DATE	REVISION

DRAWN
G.S.

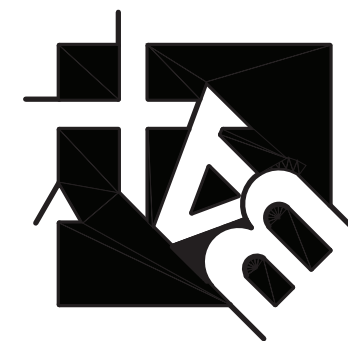
APPROVED
8-26-09



PROJECT TITLE:

COLUMBIA MEADOWS

ENGINEERING
PLANNING
SURVEYING
221 Point View Blvd
St. Charles, MO 63301
636-928-5562
FAX 928-1718



DISCLAIMER OF RESPONSIBILITY
I hereby specify that the documents intended to be authenticated by my seal are limited to this sheet, and I hereby disclaim any responsibility for all other drawings, Specifications, Estimates, Reports or other documents or instruments relating to or intended to be used for any part or parts of the architectural or engineering project or survey.

REVISIONS

NO.	DATE	CITY COMMENTS
10/13/20		CITY COMMENTS
01/08/21		CITY COMMENTS
02/10/21		CITY COMMENTS
02/23/21		CITY COMMENTS

Developer / Owner:
Alpha Land Development Two, L.L.C.
612 Trade Center Boulevard
Chesterfield, MO 63005
314-721-7779

WATER DETAILS

P+Z No. #19-004868
Approval Date: 07/23/2020

City No. #?

Page No.

32 of 38

ENGINEERS SEAL DOES NOT APPLY TO CITY OF O'FALLON DETAILS ON THIS SHEET.