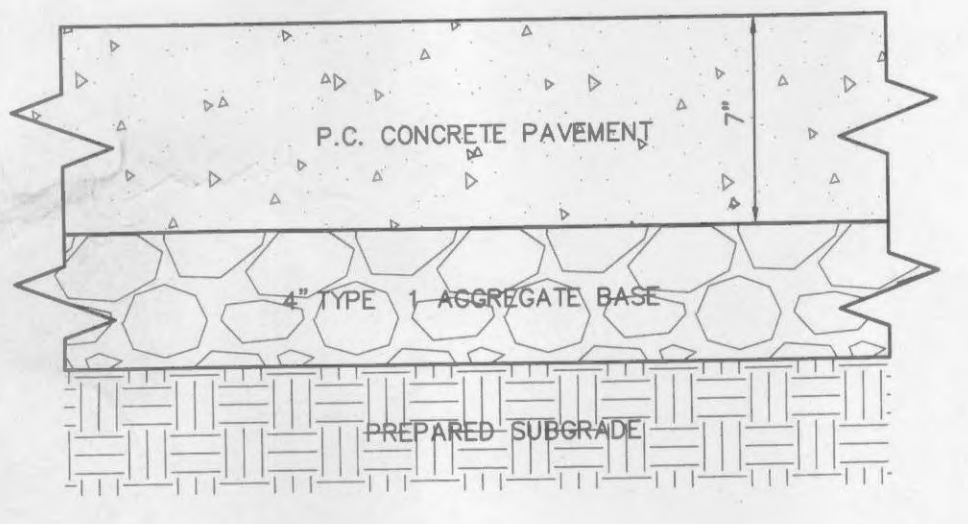


SOUTH ENTRANCE DETAIL
 SCALE: 1" = 10'

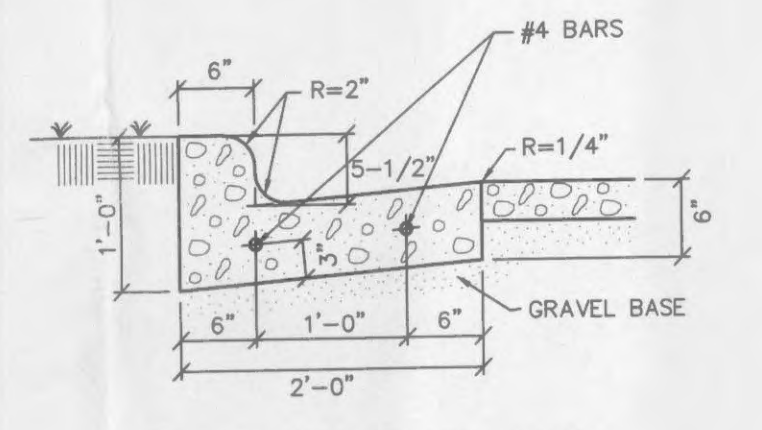
NOTE: ALL SPOTS ARE TO TOP OF PAVEMENT UNLESS OTHERWISE NOTED.
 NOTE: EXISTING PAVEMENT REMOVAL IS TO BE TO THE NEAREST JOINT.
 NOTE: SIDEWALK TO BE REPAIRED AS NEEDED.

WEST ENTRANCE DETAIL
 SCALE: 1" = 10'

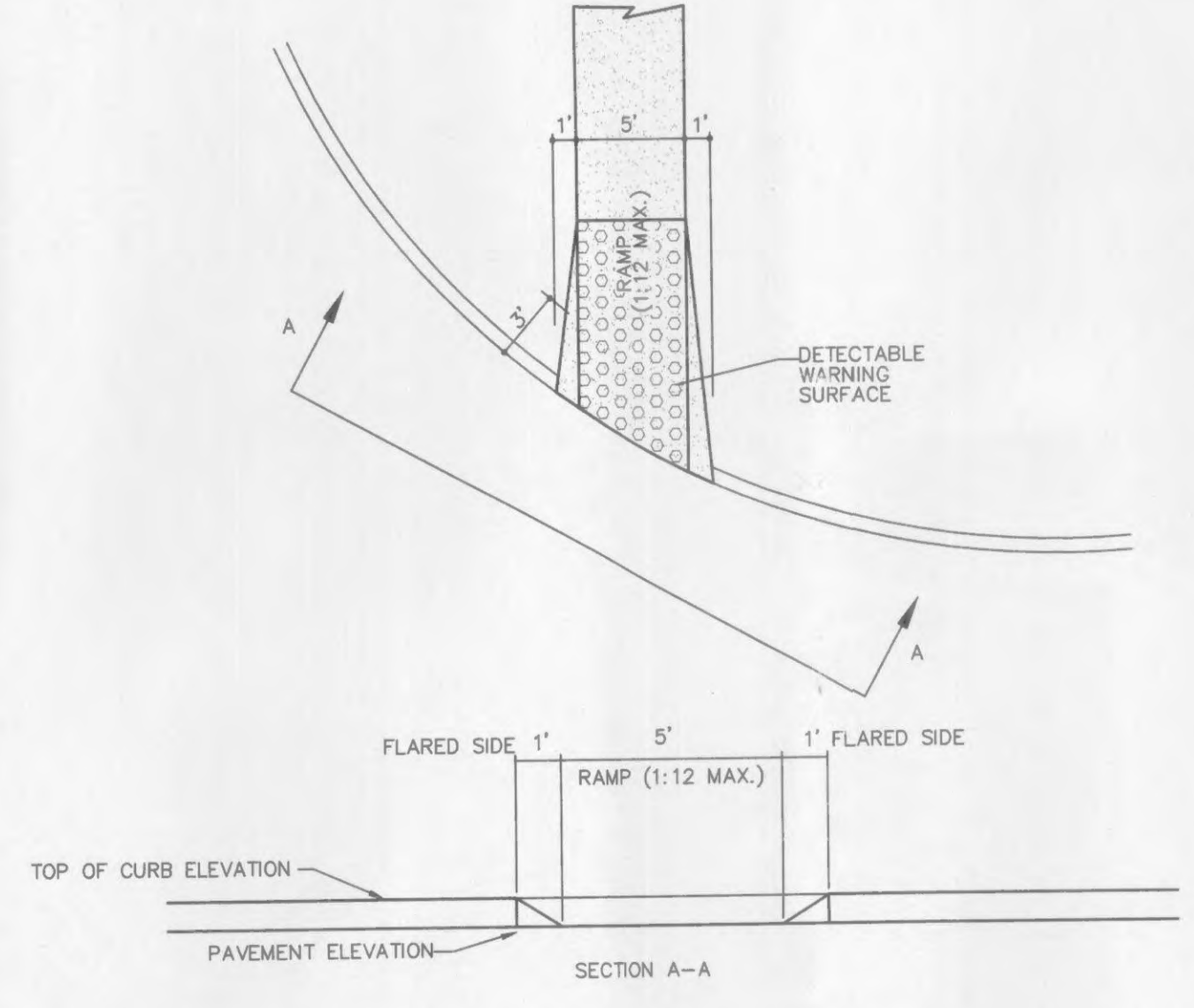
NOTE: ALL SPOTS ARE TO TOP OF PAVEMENT UNLESS OTHERWISE NOTED.
 NOTE: EXISTING PAVEMENT REMOVAL IS TO BE TO THE NEAREST JOINT.
 NOTE: SIDEWALK TO BE REPAIRED AS NEEDED.



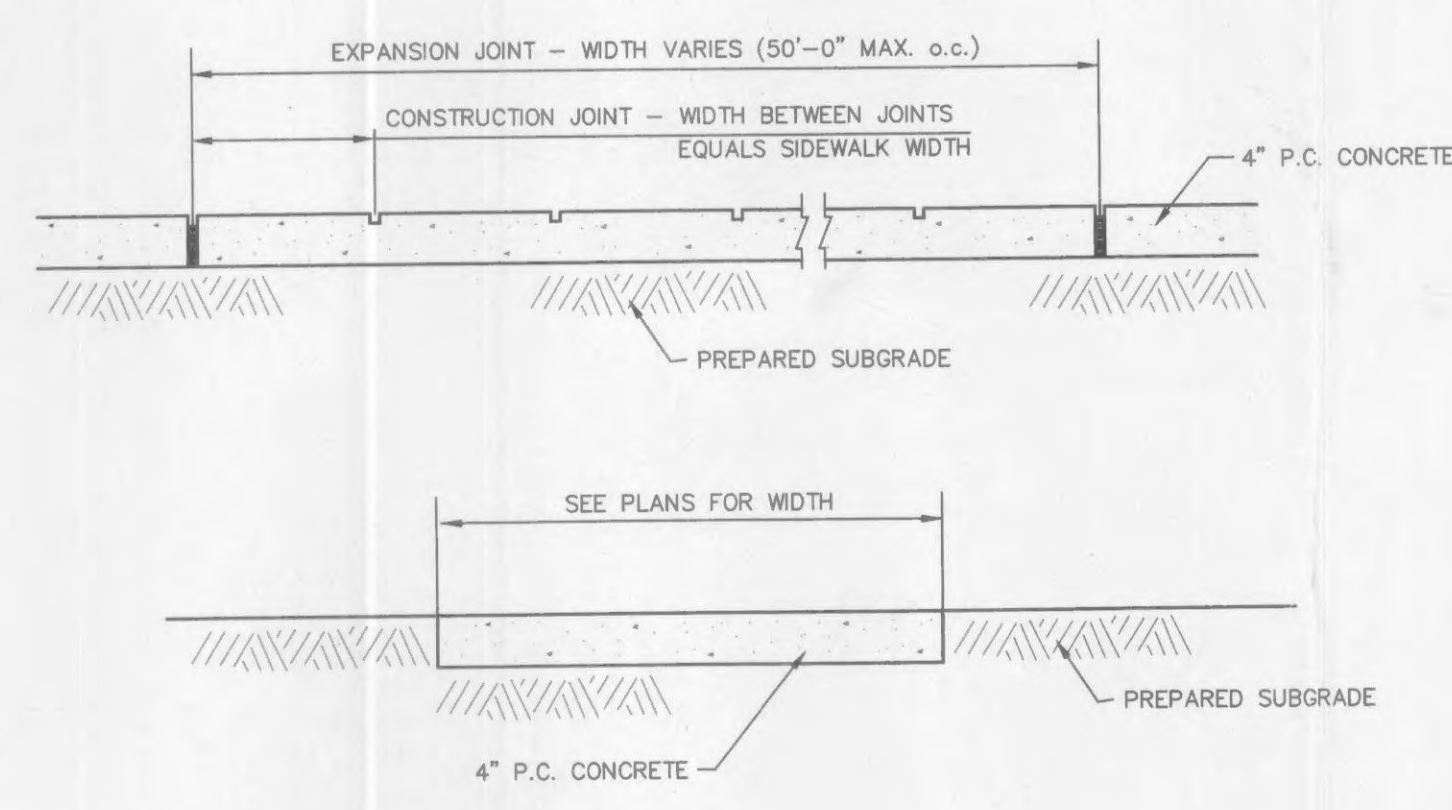
ENTRANCE PAVEMENT DETAIL
 NOT TO SCALE



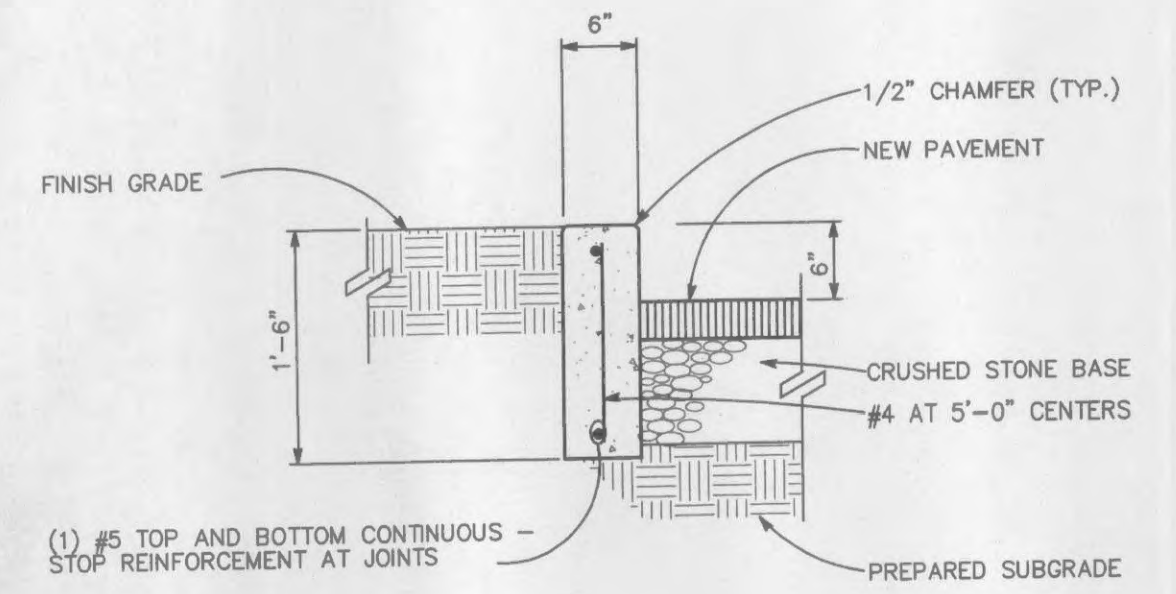
CONCRETE CURB AND GUTTER DETAIL
 NOT TO SCALE



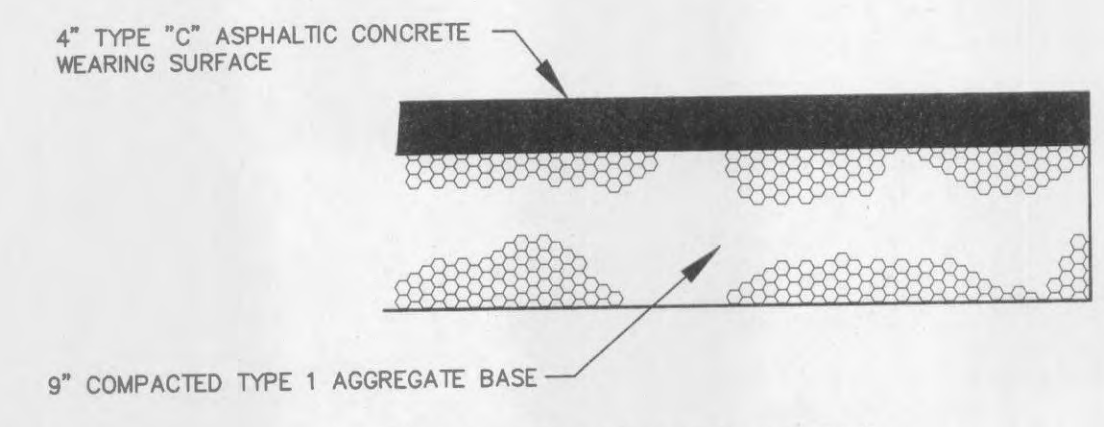
HANDICAPPED RAMP WITH DETECTABLE WARNING DETAIL
 NOT TO SCALE



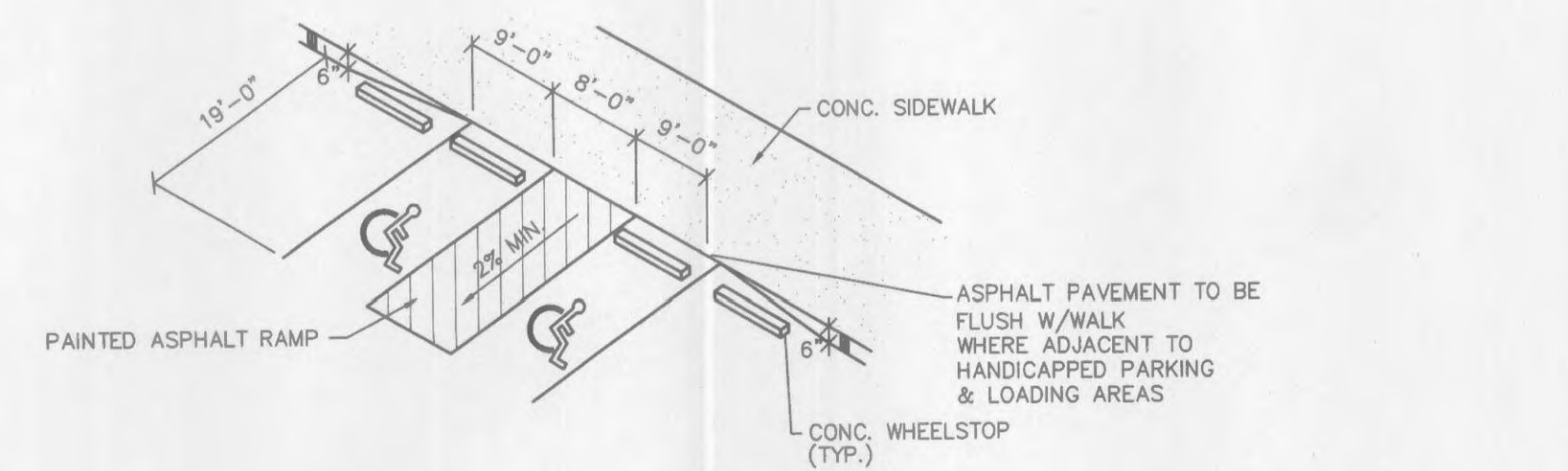
CONCRETE SIDEWALK DETAIL
 NOT TO SCALE



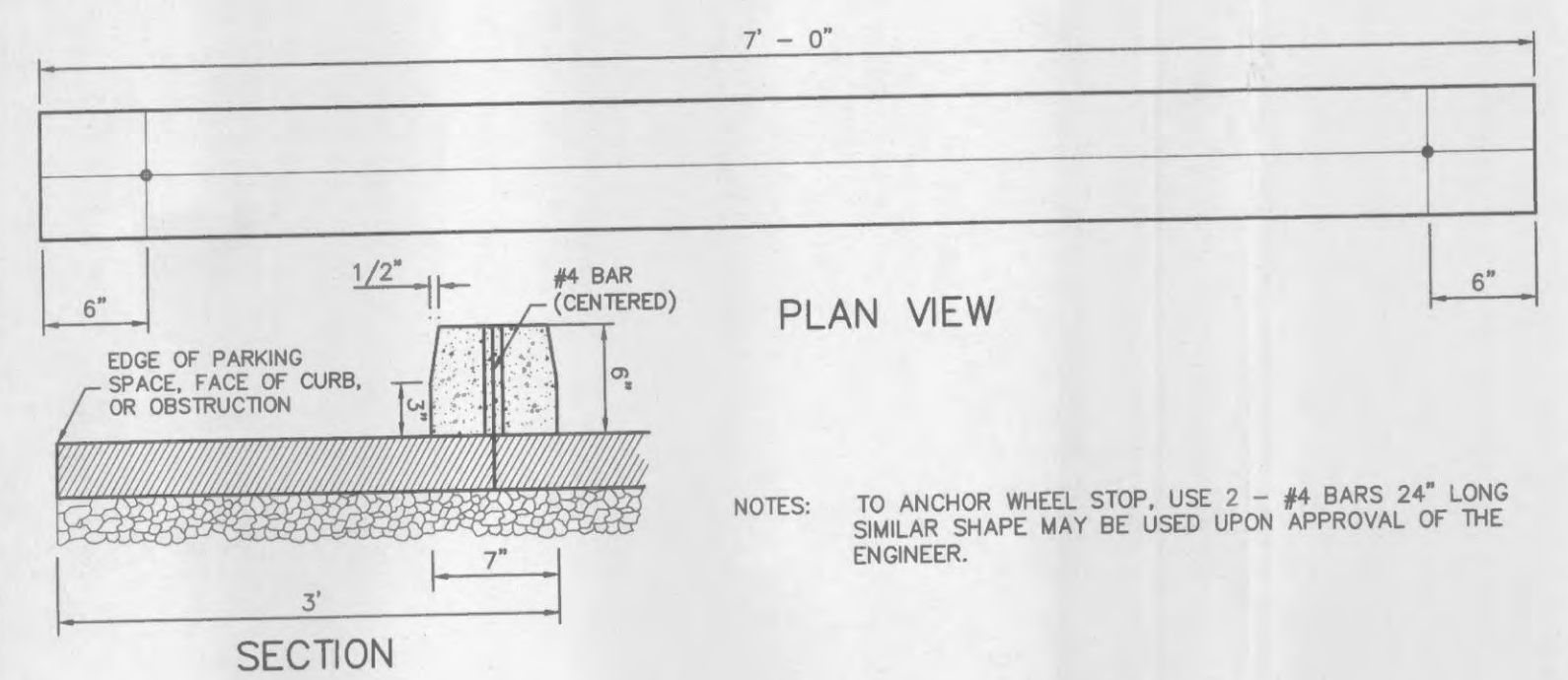
CONCRETE CURB DETAIL
 NOT TO SCALE



ASPHALT PAVEMENT DETAIL
 NOT TO SCALE

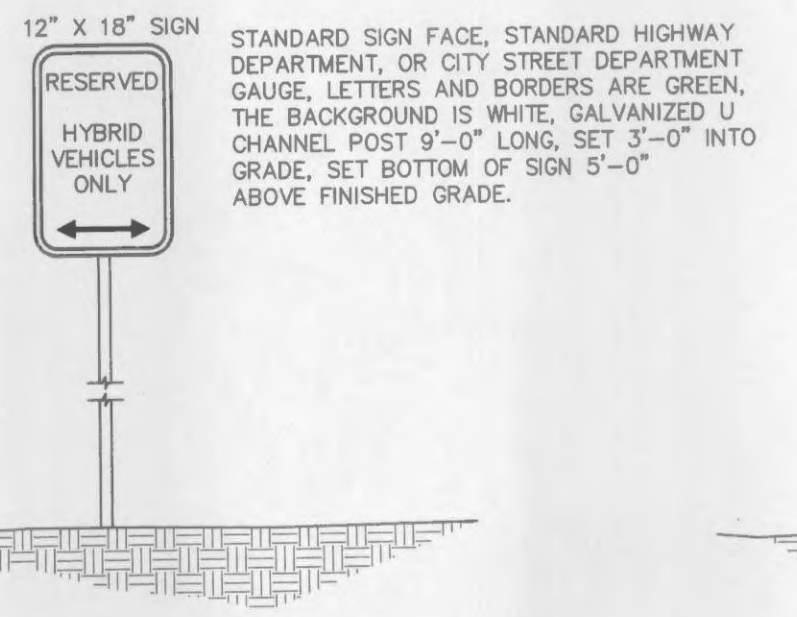


FLUSH PAVEMENT DETAIL
 NOT TO SCALE

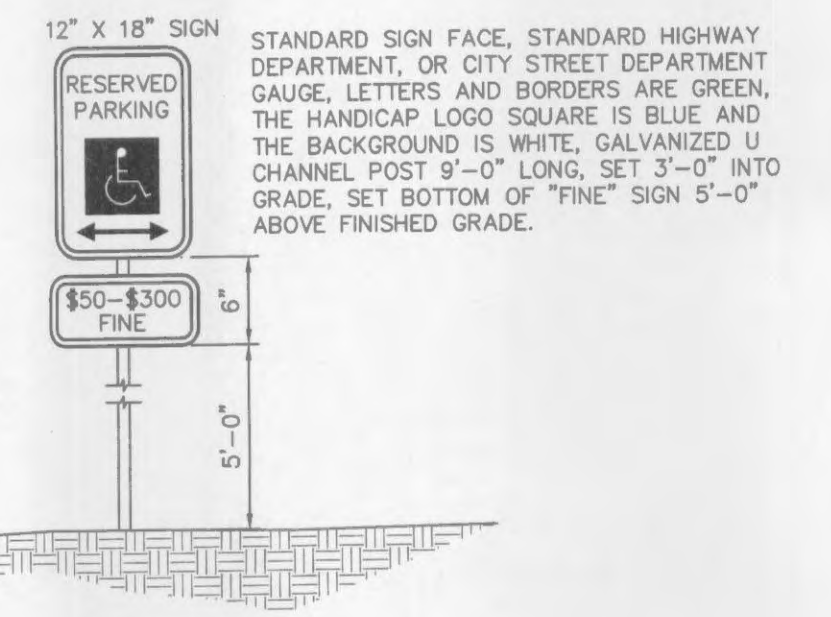


PRECAST CONCRETE WHEELSTOP

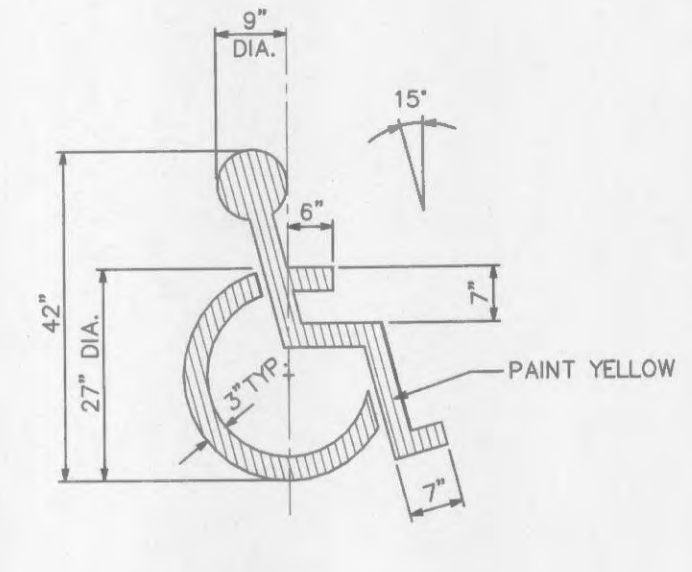
NOTES: TO ANCHOR WHEEL STOP, USE 2 - #4 BARS 24" LONG SIMILAR SHAPE MAY BE USED UPON APPROVAL OF THE ENGINEER.



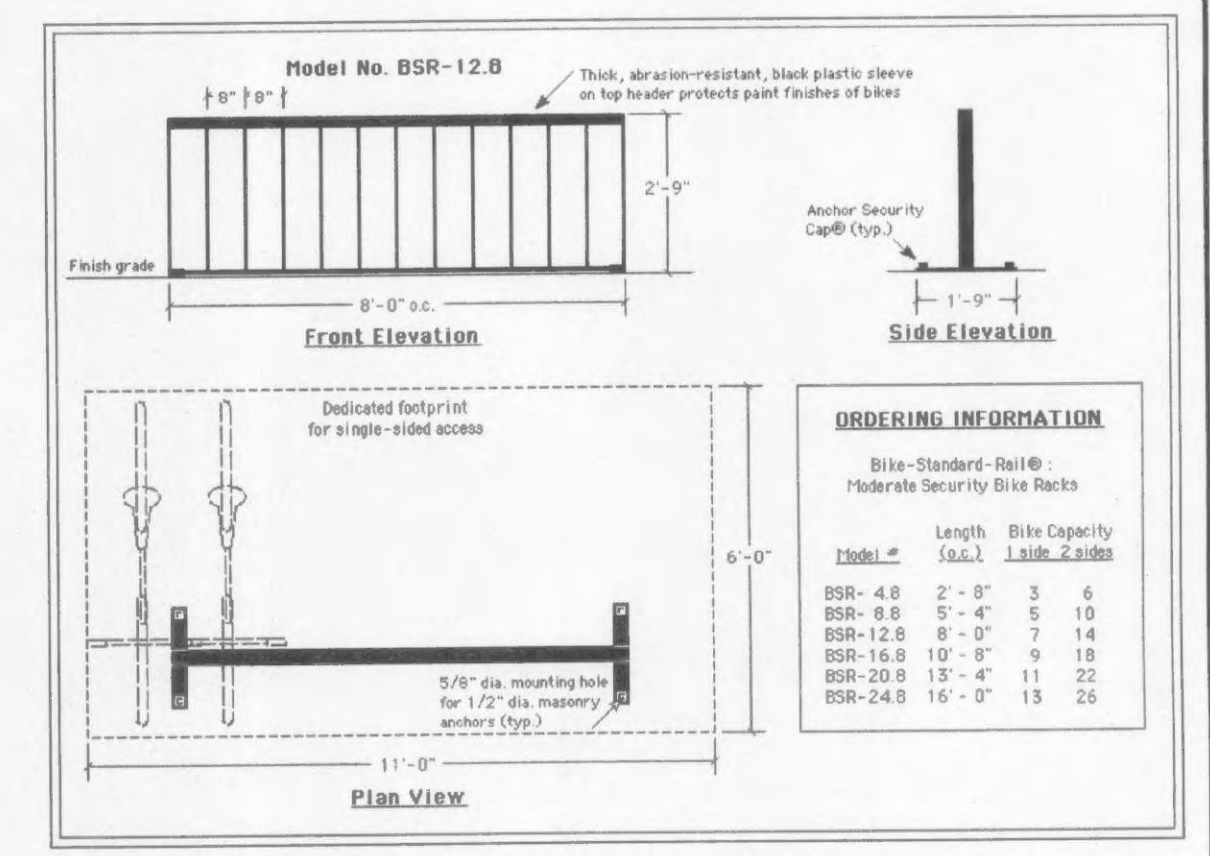
HYBRID PARKING SIGN
 NOT TO SCALE



HANDICAP PARKING SIGN (CITY OF O'FALLON)
 NOT TO SCALE



PAINTED HANDICAPPED PARKING SYMBOL
 NOT TO SCALE



BIKE RACK DETAIL (OR EQUIVALENT)
 NOT TO SCALE

Armor-Tile Tactile Systems

ENGINEERED PLASTICS, INC.
 300 INTERNATIONAL DR., SUITE 100
 WILLIAMSVILLE, NY USA, 14221
 1 (800) 682-2525
 PHONE: (716) 626-3626
 FAX: 1 (800) 769-4463
 www.armor-tile.com

SELECT DESIRED COLOR:
 LIGHT GREY
 DARK GREY
 ONYX BLACK
 PEARL WHITE
 FEDERAL YELLOW
 BRICK RED
 CUSTOM (CONTACT MANUFACTURER)

DETAIL 1-1
 PLAN - TILE

DETAIL 1-2
 SECTION A-A

DETAIL 1-3
 SECTION B-B

NOTES:
 1. INSTALLATION TO BE COMPLETED IN ACCORDANCE WITH MANUFACTURER'S SPECIFICATIONS.
 2. DO NOT SCALE DRAWINGS.
 3. FOR CUSTOM SIZING CONTACT MANUFACTURER.
 4. CONTRACTORS NOTE: FOR PRODUCT AND COMPANY INFORMATION VISIT www.CADetails.com/info REFERENCE NUMBER 681-001C.

CAST IN PLACE
 24" x 36" (ADA-C-2436)
 (OR APPROVED EQUIVALENT)

681-001C
 PROTECTED BY COPYRIGHT - 11/06/06
 www.CADetails.com

E:\DWG\101000PL\10195CA-Commerce Bank\Construction\10195CAcon.dwg, Details 7, 2/12/2008 3:05:56 PM, Station 20 ALL