

DETAILS FOR COMPONENT BAR PRODUCTS BUILDING EXPANSION

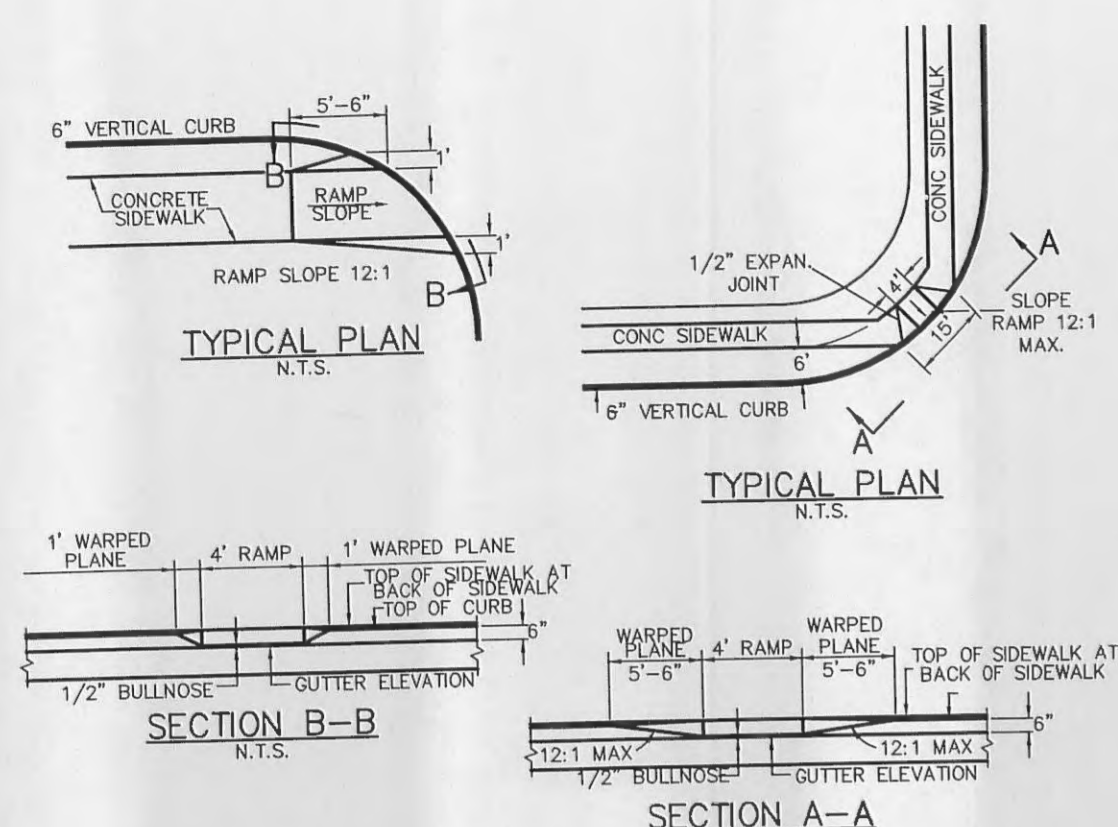
GBA
 GEORGE BUTLER ASSOCIATES, INC.
 Engineers / Architects
 Kansas City, Mo. / Lenexa, Ks. / O'Fallon, Mo. / Wichita, Ks.

DATE: SEPTEMBER 2007
 DESIGN BY: JJC
 DRAWN BY: MSA
 PROJECT NO.: 11333

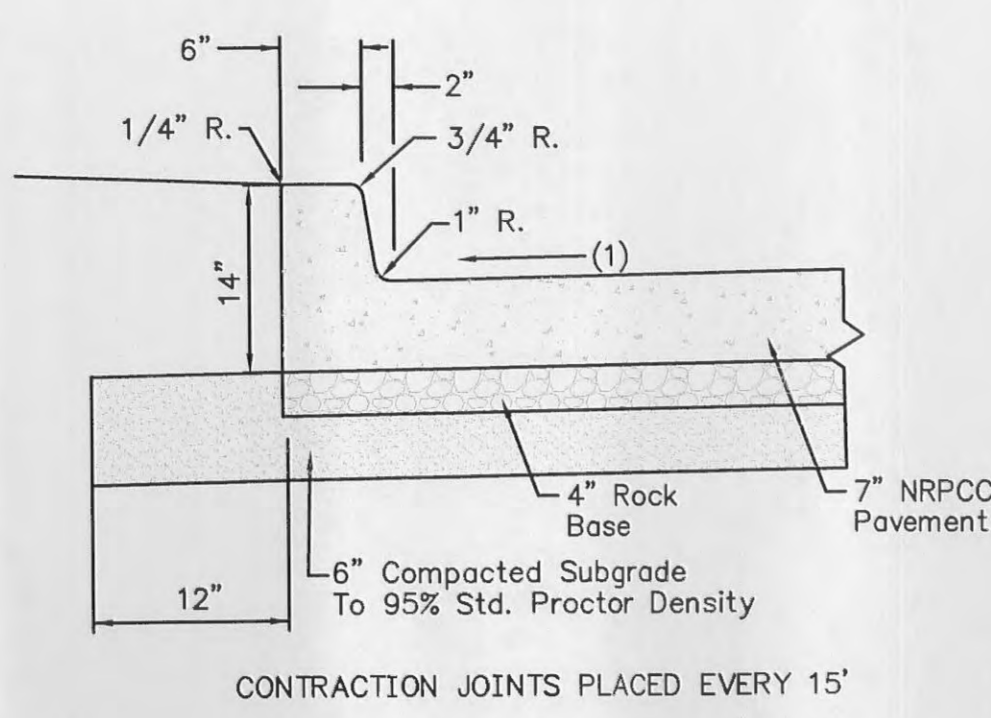
COMPONENT BAR BUILDING EXPANSION

SHEET NO. 9 TOTAL SHEETS 11

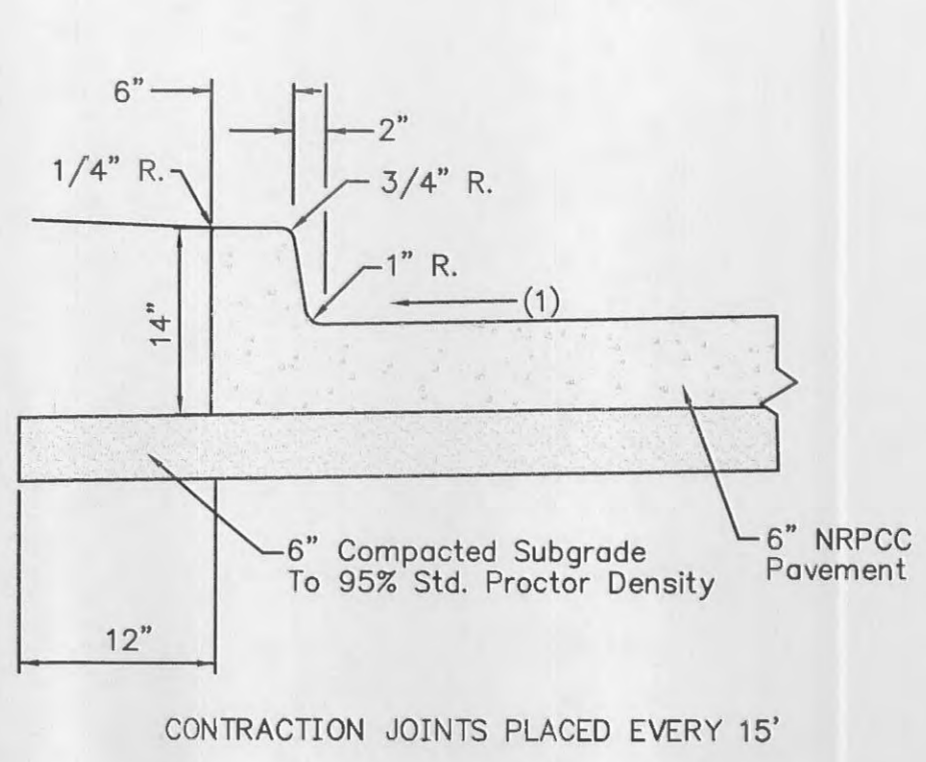
NO.	DATE	DESCRIPTION	BY
△	8/22/07	160 LB KEYSTONE RETAINING WALL AT THE BACK OF CURB	MSA
△	8/22/07	CHANGED PROPOSED TREES NORTH OF THE PARKING LOT	MSA
△	8/22/07	REMOVED PROPOSED FENCE ALONG ON NORTH PROPERTY LINE	MSA
△	8/22/07	ADDED SITEPROOF FENCING	MSA
△	9/17/07	MODIFIED PARKING LOT LAYOUT AND INLET	MSA
△	11/5/07	ADDED RETAINING WALL FENCE AND FENCE DETAIL	MSA



Handicap Ramp Detail for 6" Curb
NO SCALE

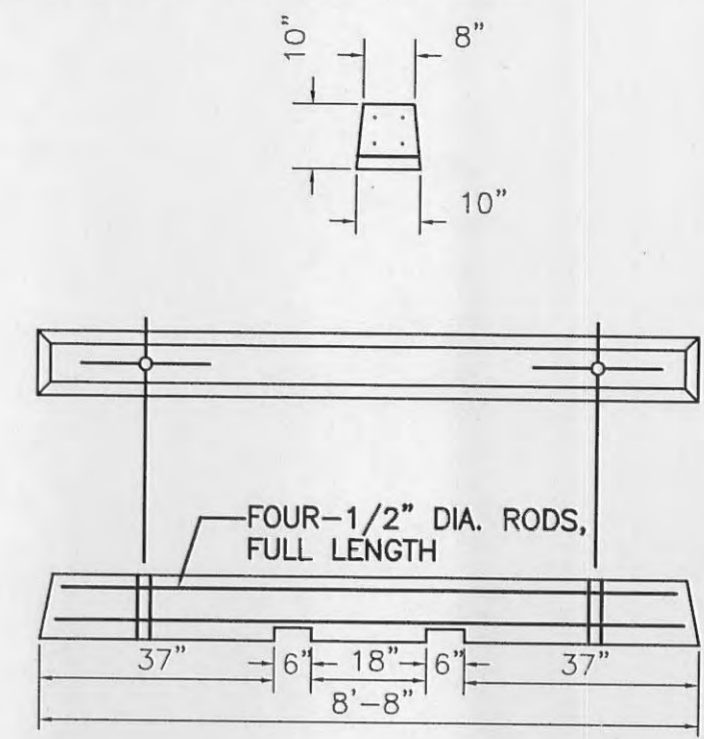


Concrete Pavement and Curb Detail within Right of Way
NO SCALE

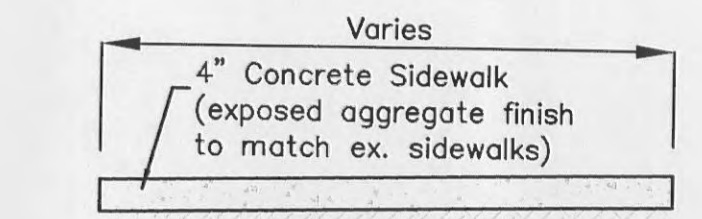


Concrete Pavement and Curb Detail
NO SCALE

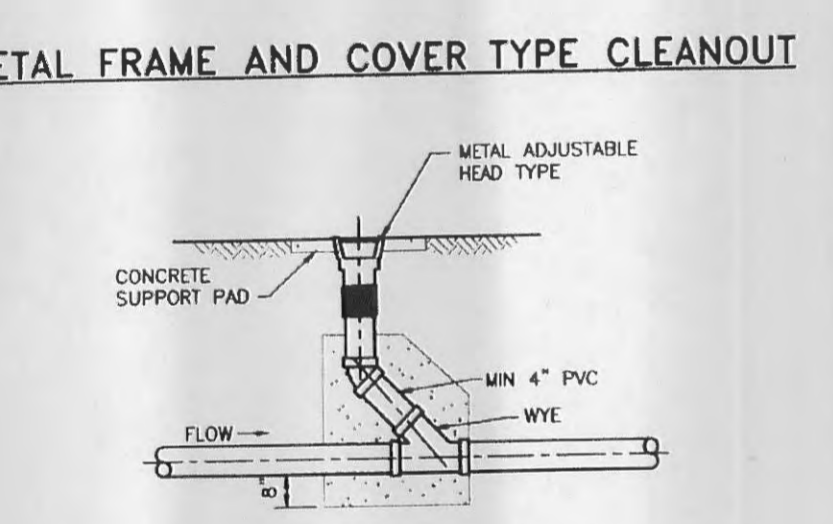
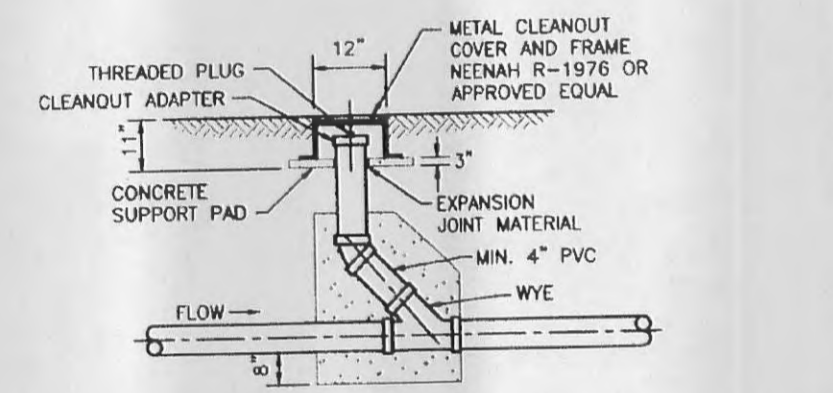
NOTE: ANCHOR WHEEL STOP TO PAVEMENT WITH TWO 24" LONG 5/8" DIA. BARS.



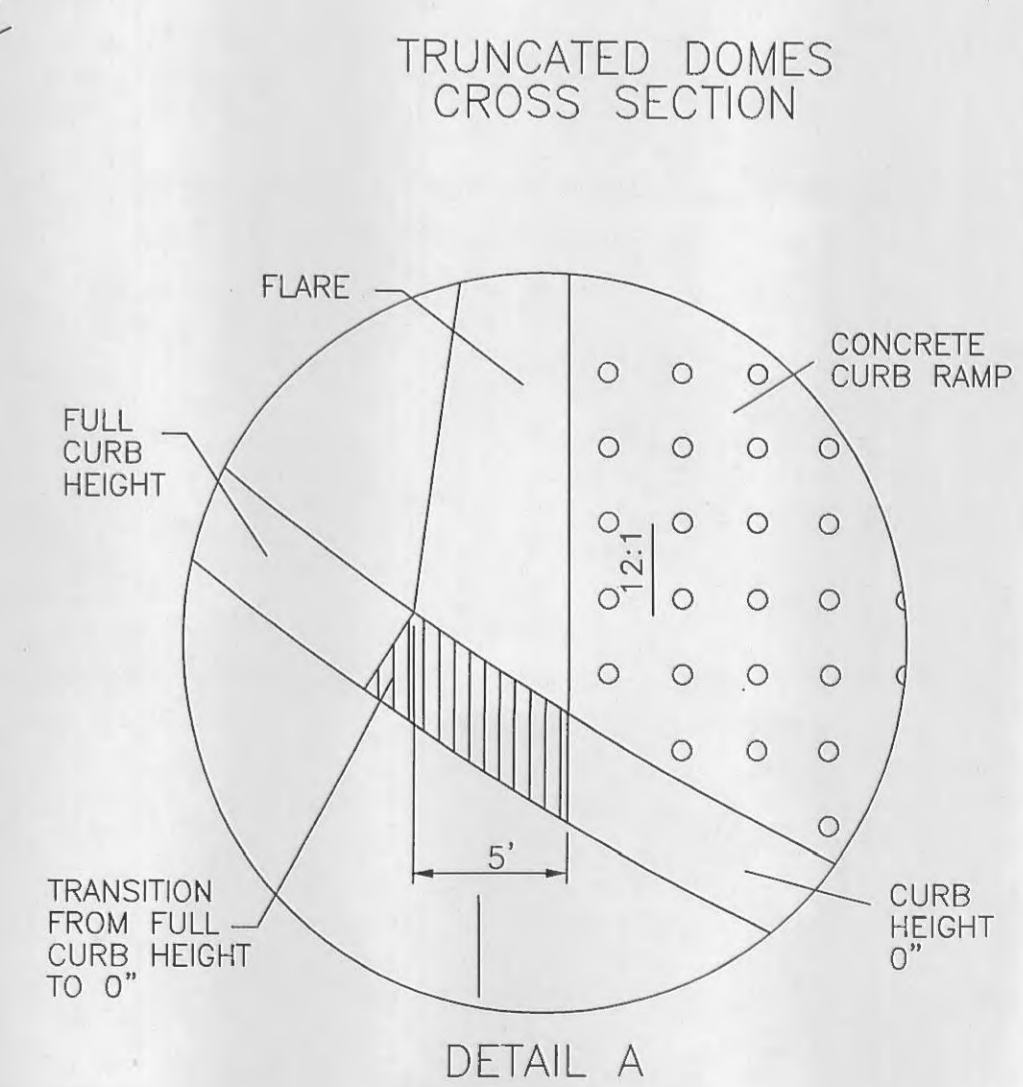
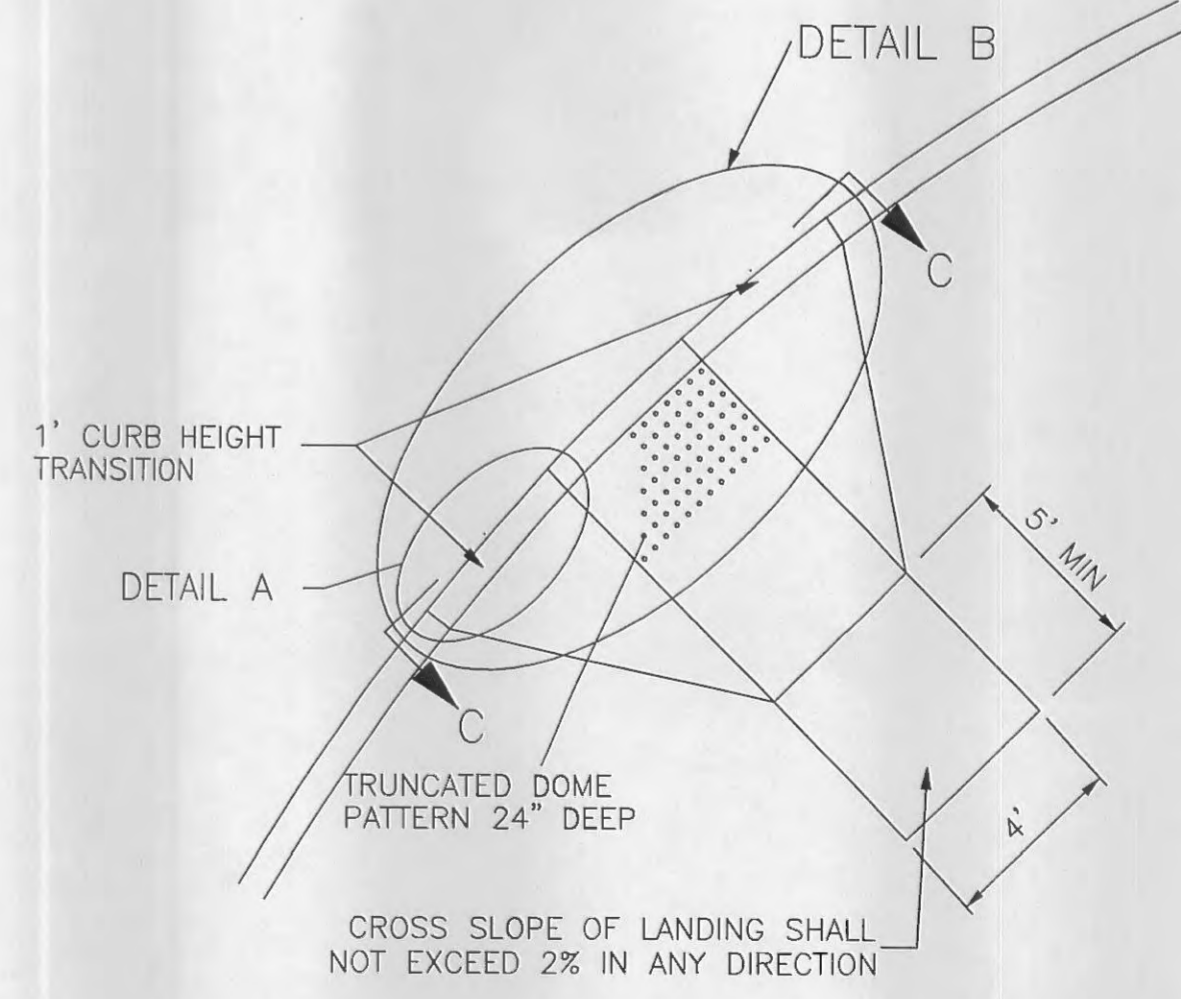
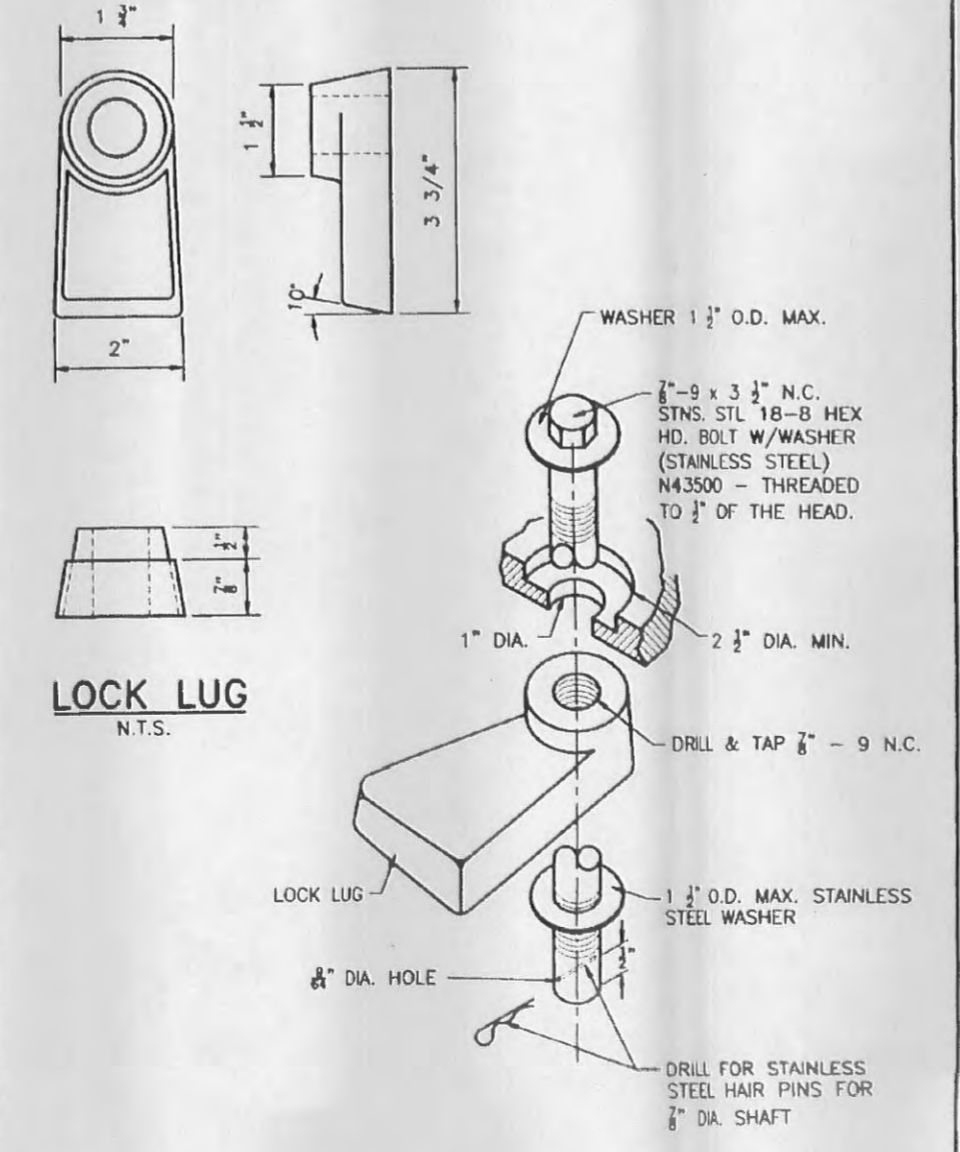
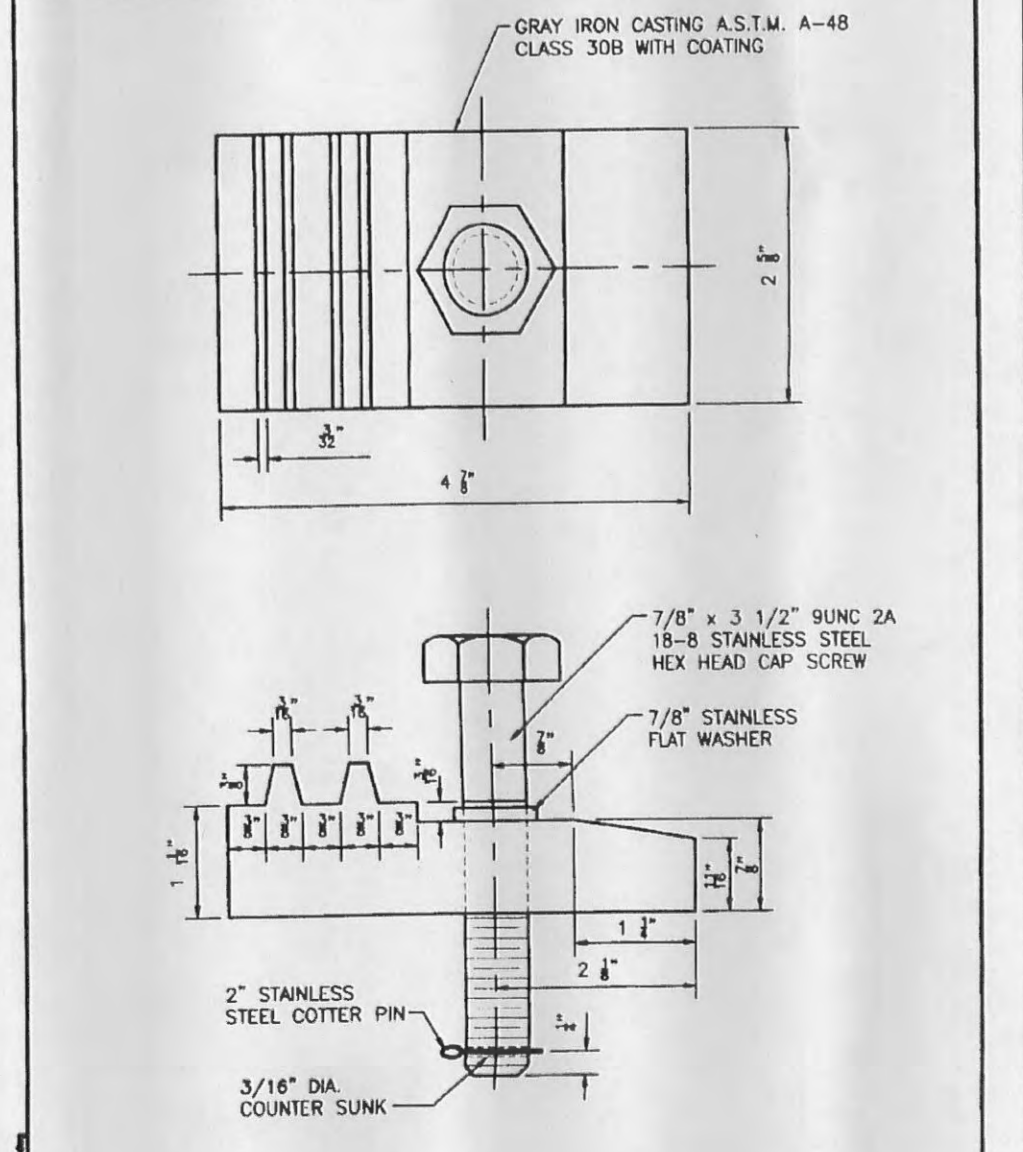
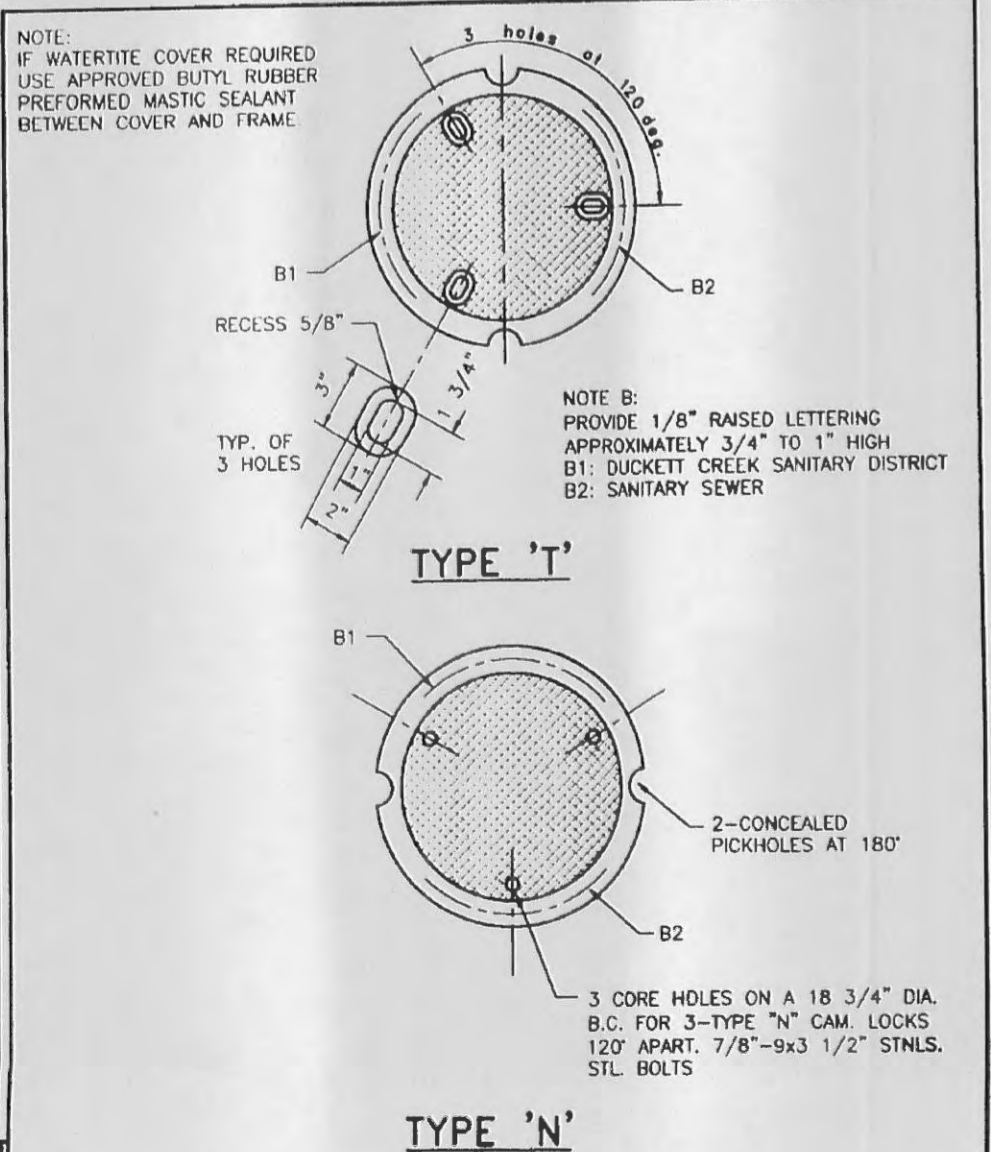
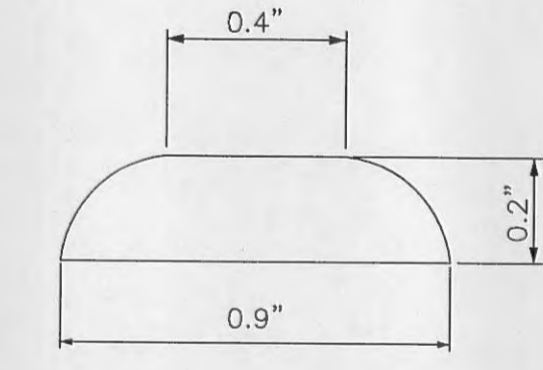
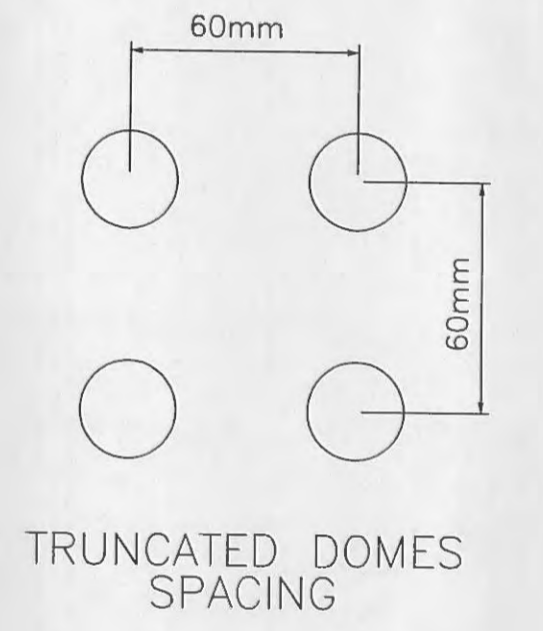
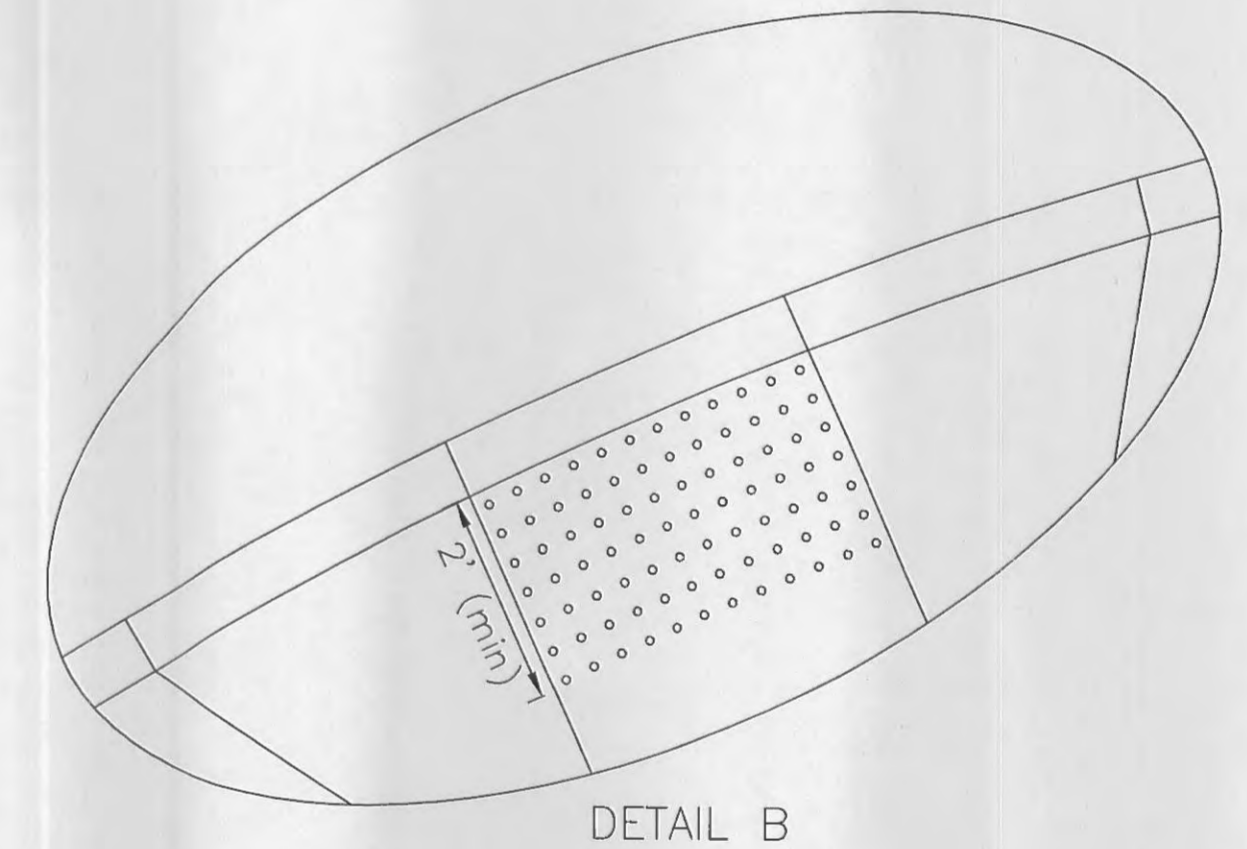
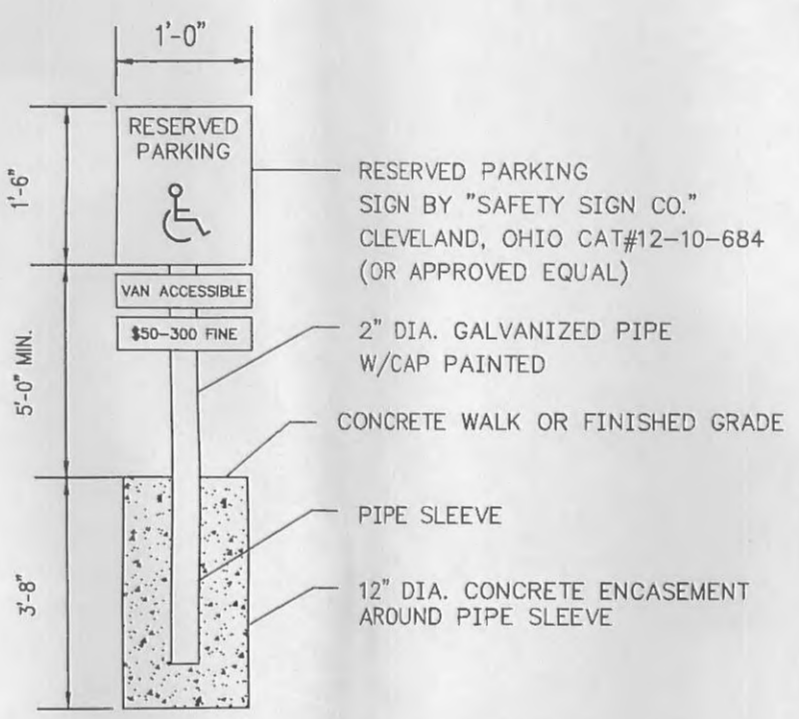
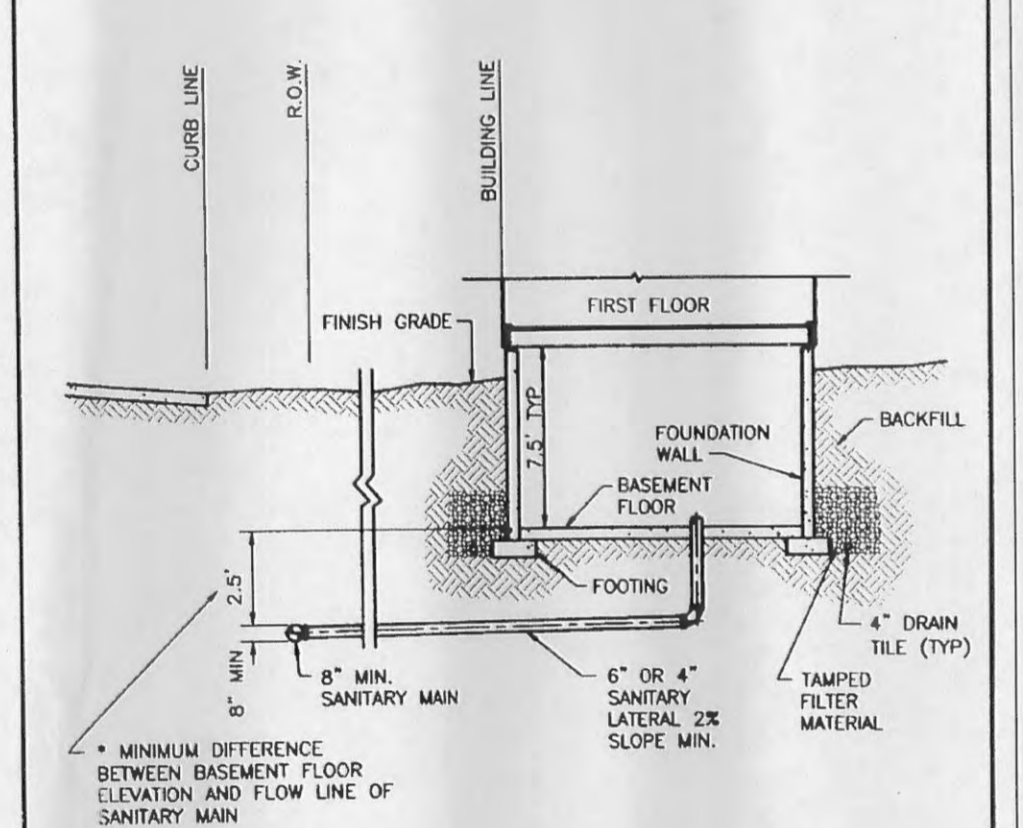
Concrete Wheel Stop
NO SCALE



Prepared Subgrade 95% Proctor (TYP)
Concrete Sidewalk Detail
NO SCALE



Duckett Creek Sanitary District
TYPICAL SEWER LATERAL CLEANOUT DETAILS
Date: BSM, App: KLA, Detail No: 25
Drawn by: MDOB, Date: 1-8-01



Concrete Curb Ramp
NO SCALE