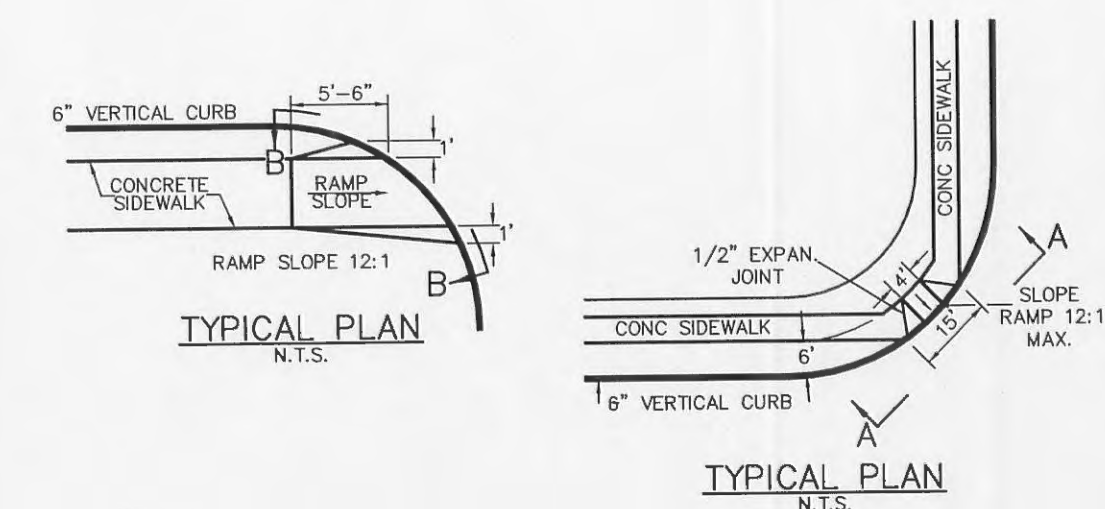
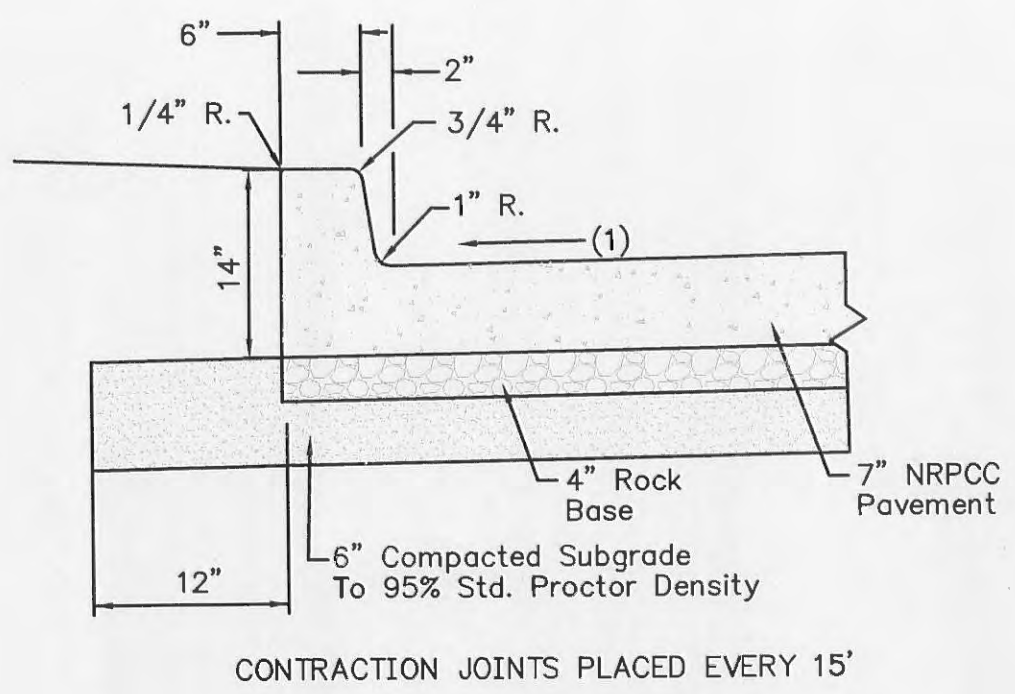


DETAILS FOR COMPONENT BAR PRODUCTS BUILDING EXPANSION

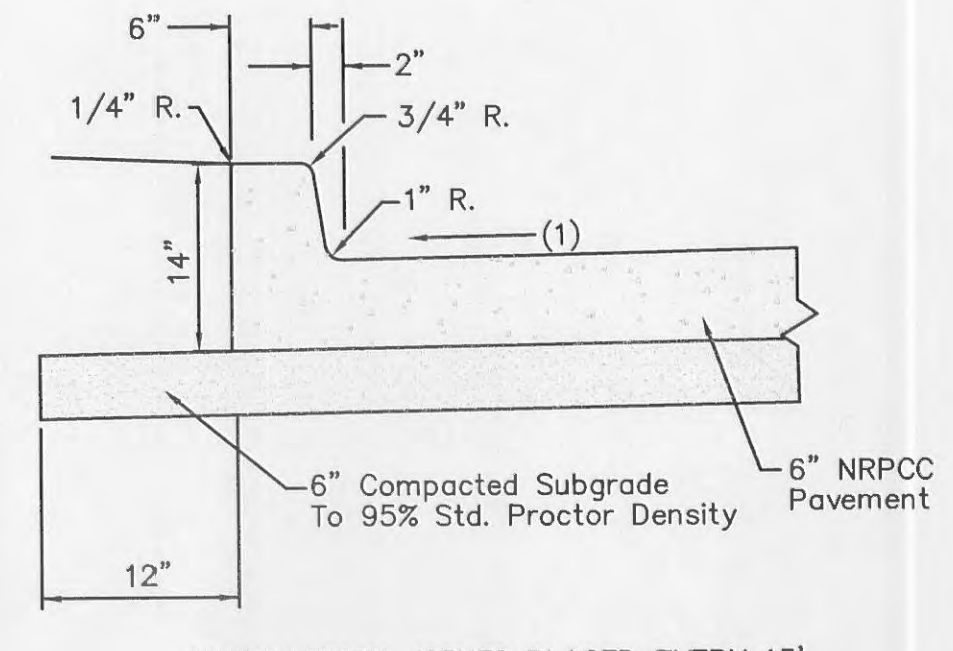
GBA GEORGE BUTLER ASSOCIATES, INC. Engineers / Architects Kansas City, Mo. / Lenexa, Ks. / O'Fallon, Mo. / Wichita, Ks.		DATE: SEPTEMBER 2007 DESIGN BY: JJC DRAWN BY: MSA PROJECT NO.: 11333	
COMPONENT BAR BUILDING EXPANSION		SHEET NO. 9 TOTAL SHEETS 11	
NO.	DATE	DESCRIPTION	BY
△	8/22/07	160 LB KEYSTONE RETAINING WALL AT THE BACK OF CURB	MSA
△	8/22/07	CHANGED PROPOSED TREES NORTH OF THE PARKING LOT	MSA
△	8/22/07	REMOVED PROPOSED FENCE ALONG ON NORTH PROPERTY LINE	MSA
△	8/22/07	ADDED SITEPROOF FENCING	MSA
△	9/17/07	MODIFIED PARKING LOT LAYOUT AND INLET	MSA
△	9/17/07	ADDED RETAINING WALL FENCE AND FENCE DETAIL	MSA



Handicap Ramp Detail for 6" Curb
NO SCALE

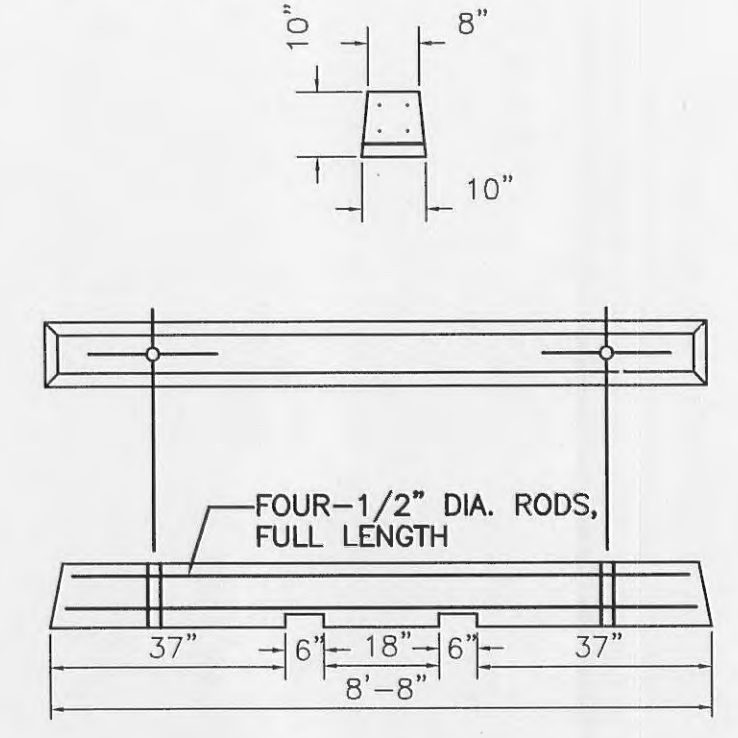


Concrete Pavement and Curb Detail within Right of Way
NO SCALE

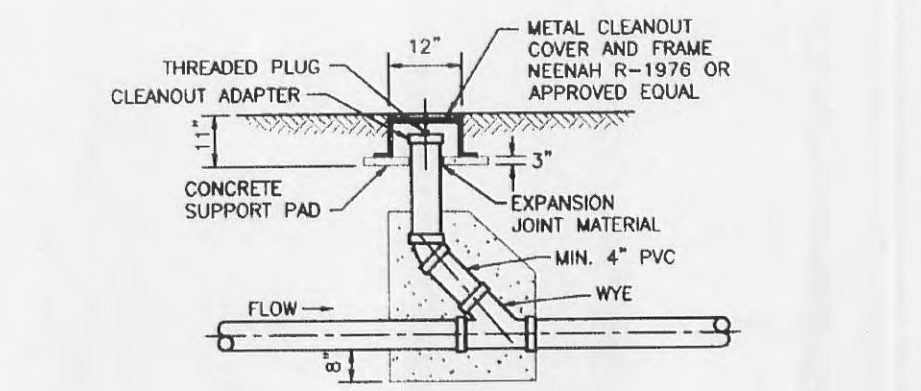
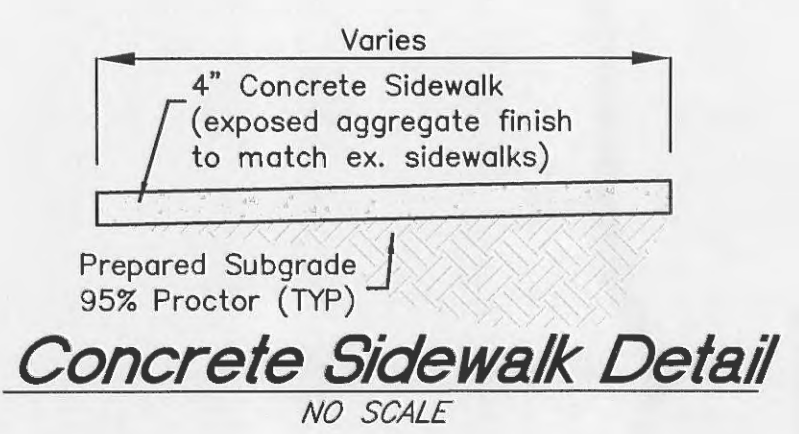


Concrete Pavement and Curb Detail
NO SCALE

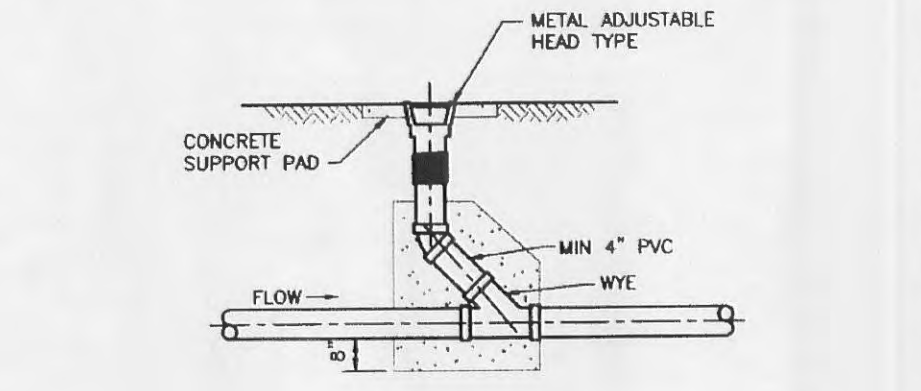
NOTE: ANCHOR WHEEL STOP TO PAVEMENT WITH TWO 24" LONG 5/8" DIA. BARS.



Concrete Wheel Stop
NO SCALE

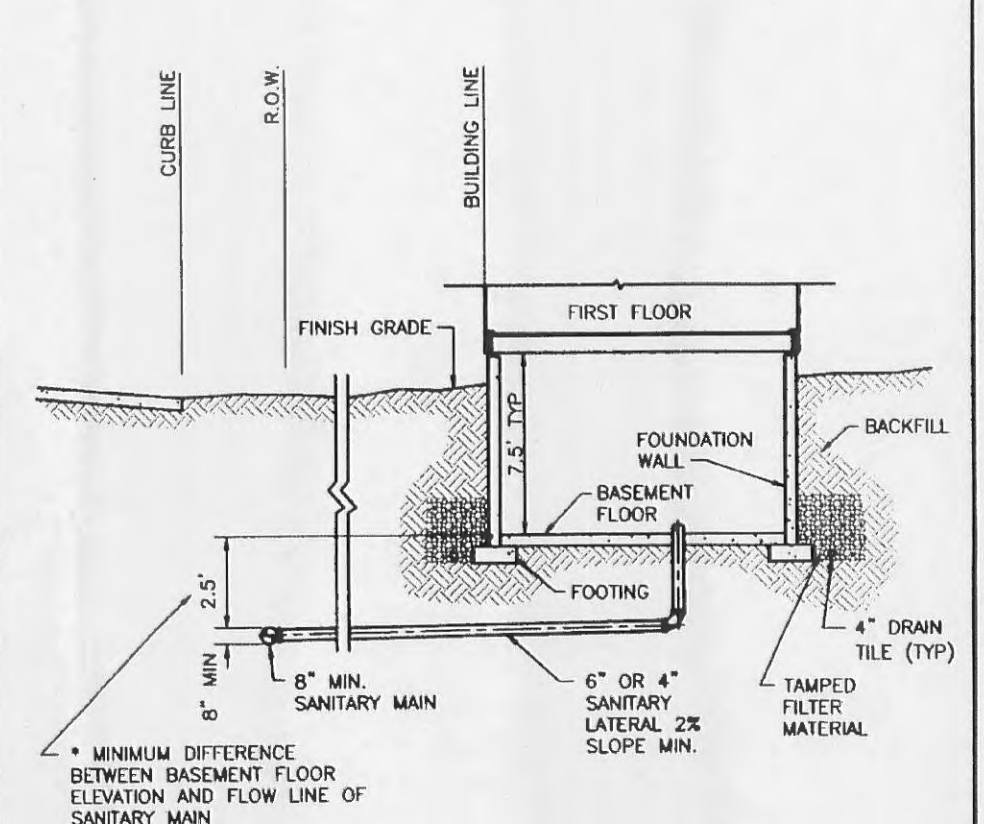


METAL FRAME AND COVER TYPE CLEANOUT

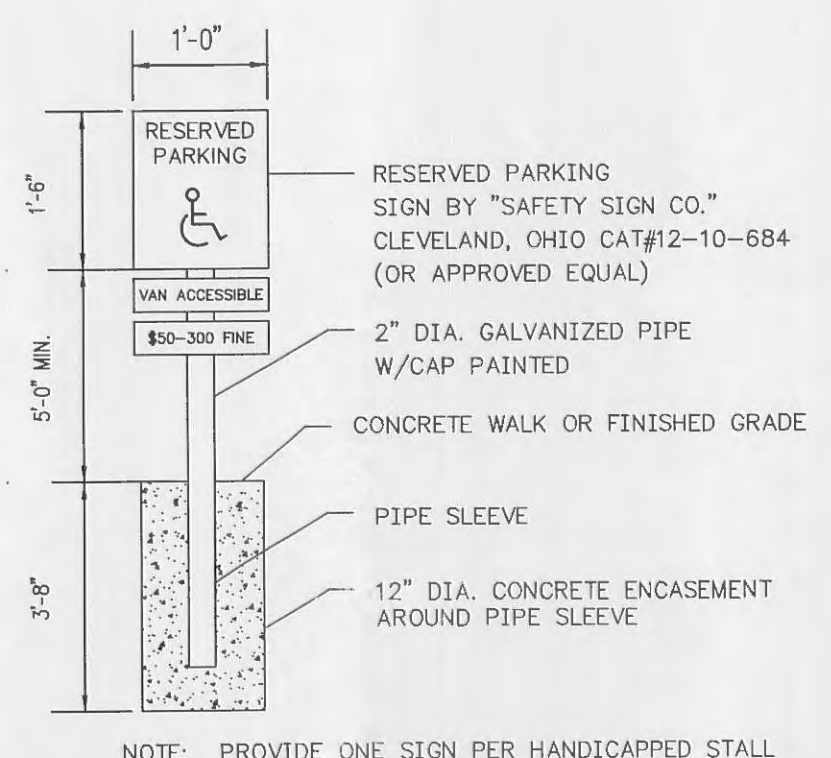


ADJUSTABLE HEAD TYPE CLEANOUT

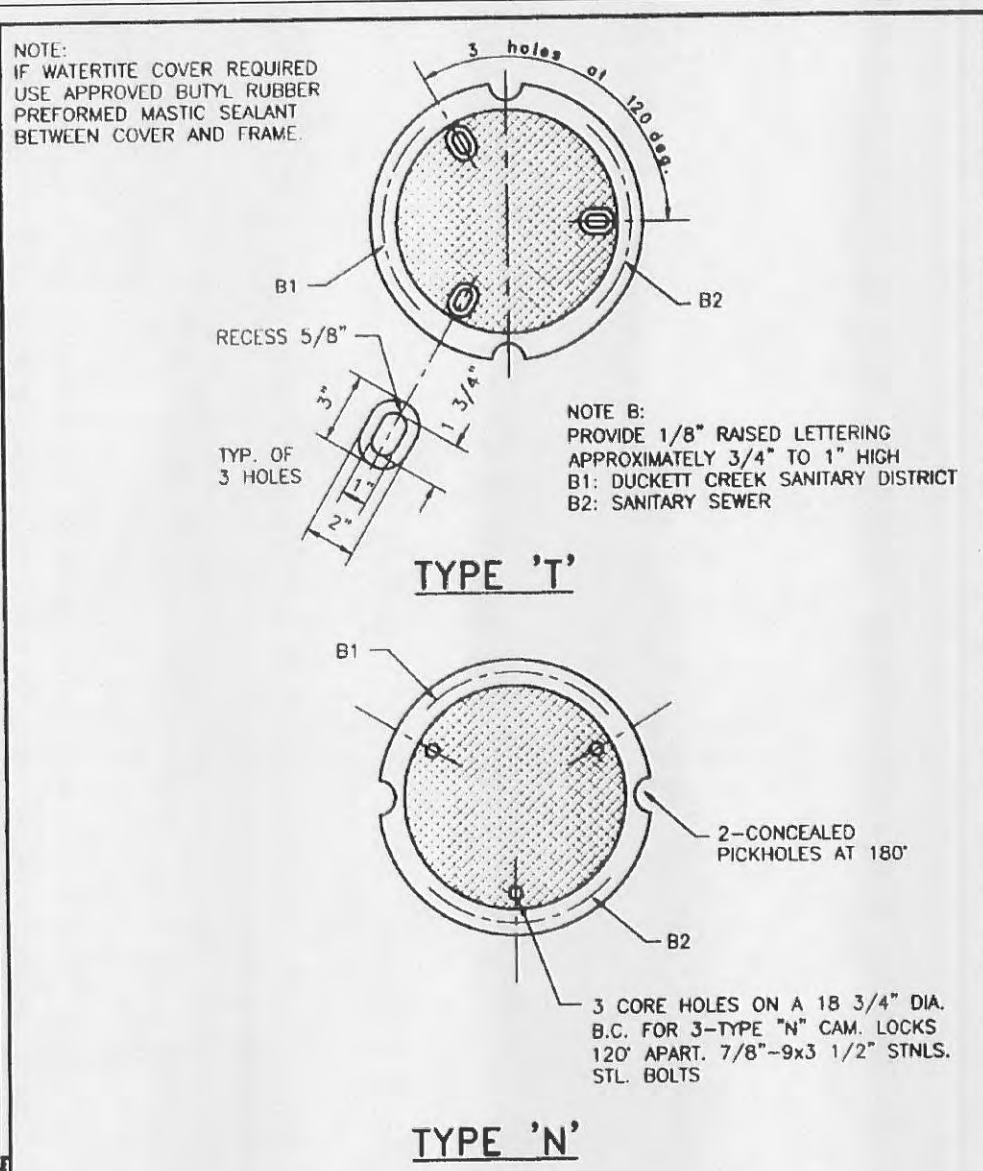
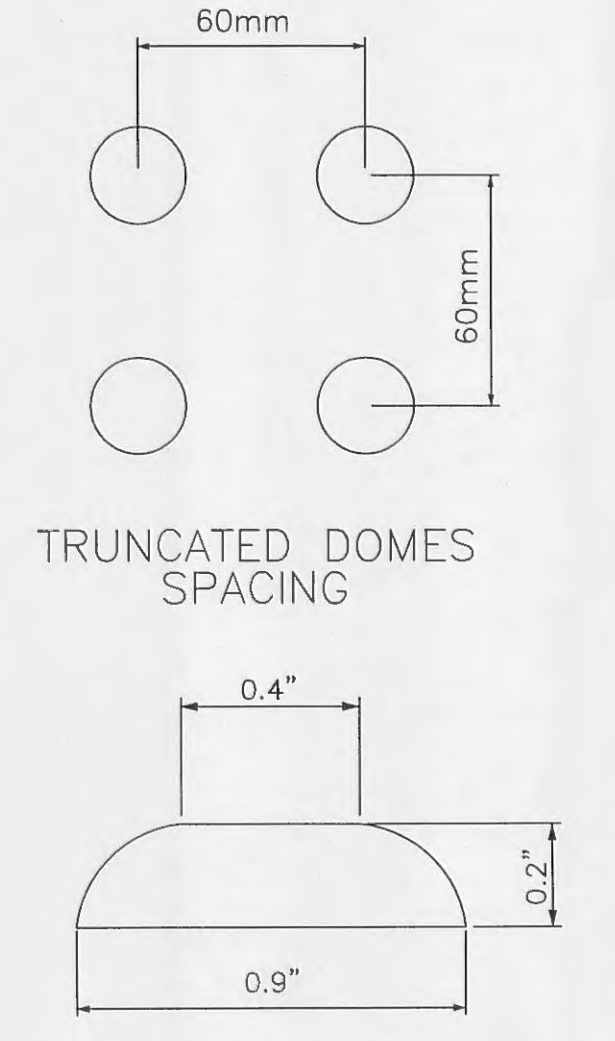
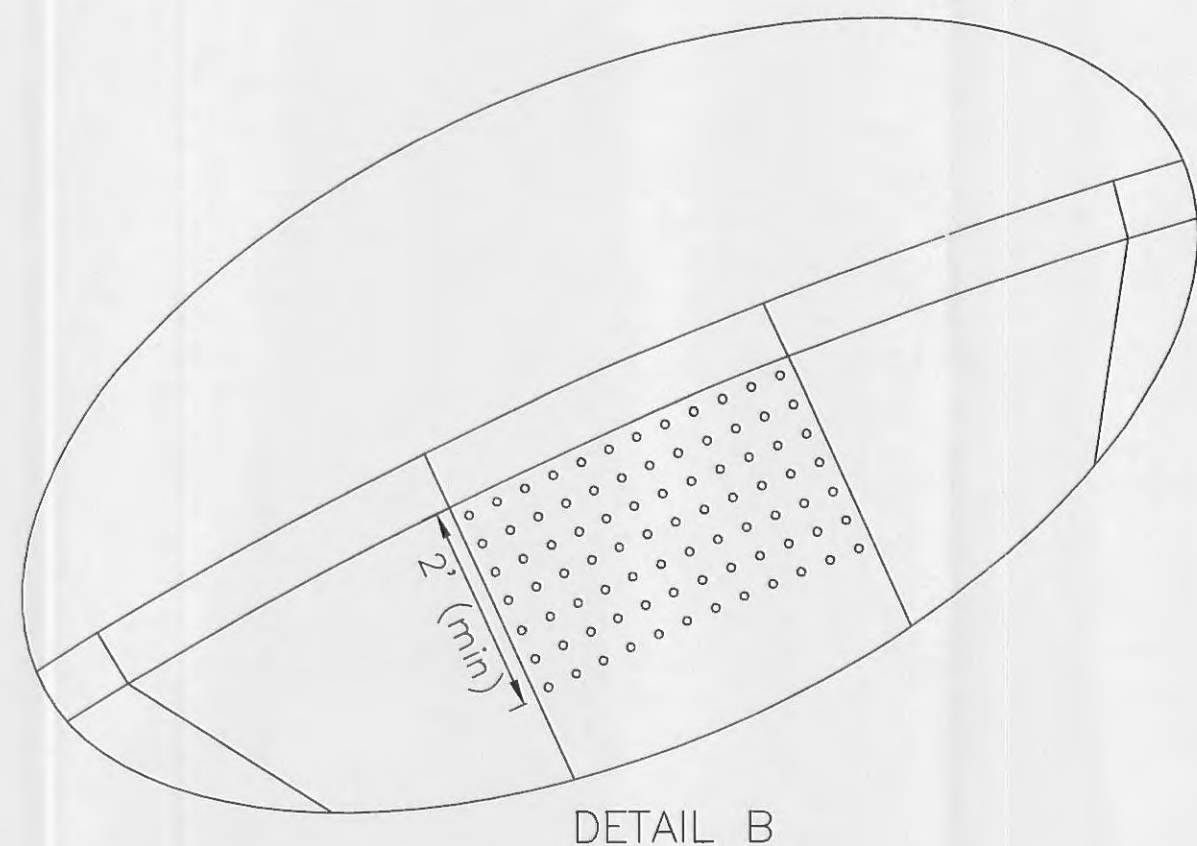
Duckett Creek Sanitary District
TYPICAL SEWER LATERAL CLEANOUT DETAILS
Date: 1-8-01
Sheet No. 25



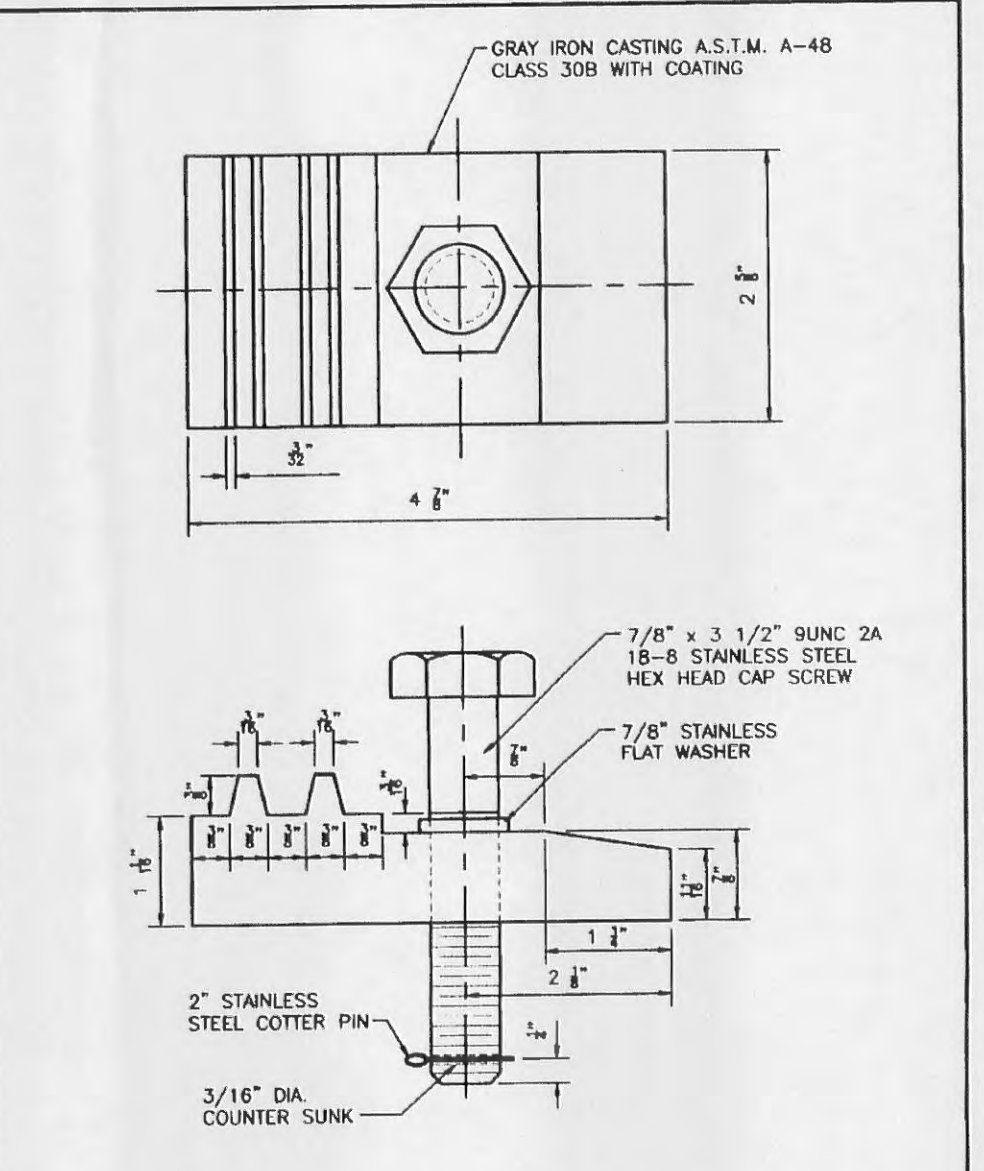
Duckett Creek Sanitary District
TYPICAL SANITARY SEWER LATERAL PROFILE
Date: 1-9-01
Sheet No. 26



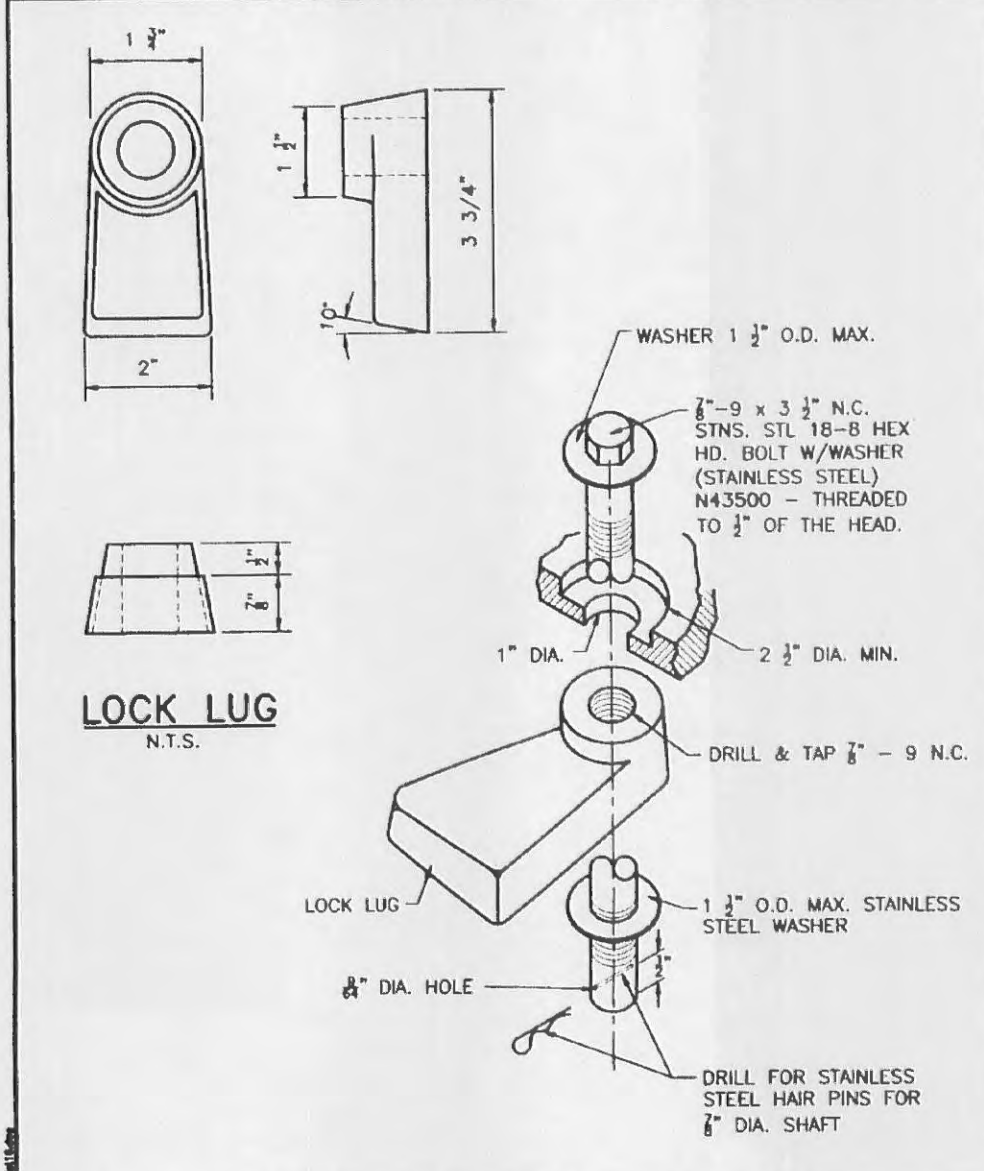
Identification Sign
NO SCALE



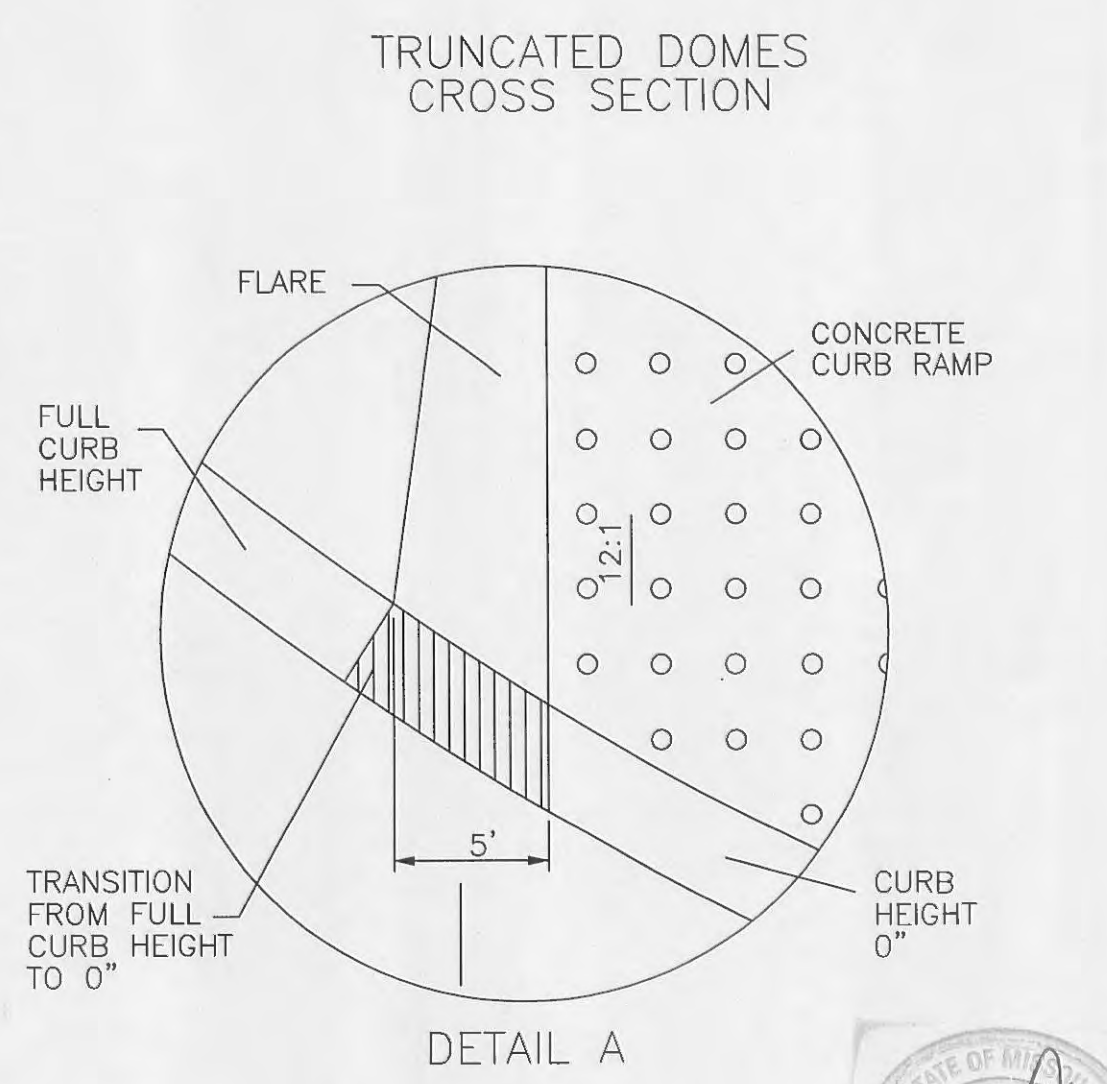
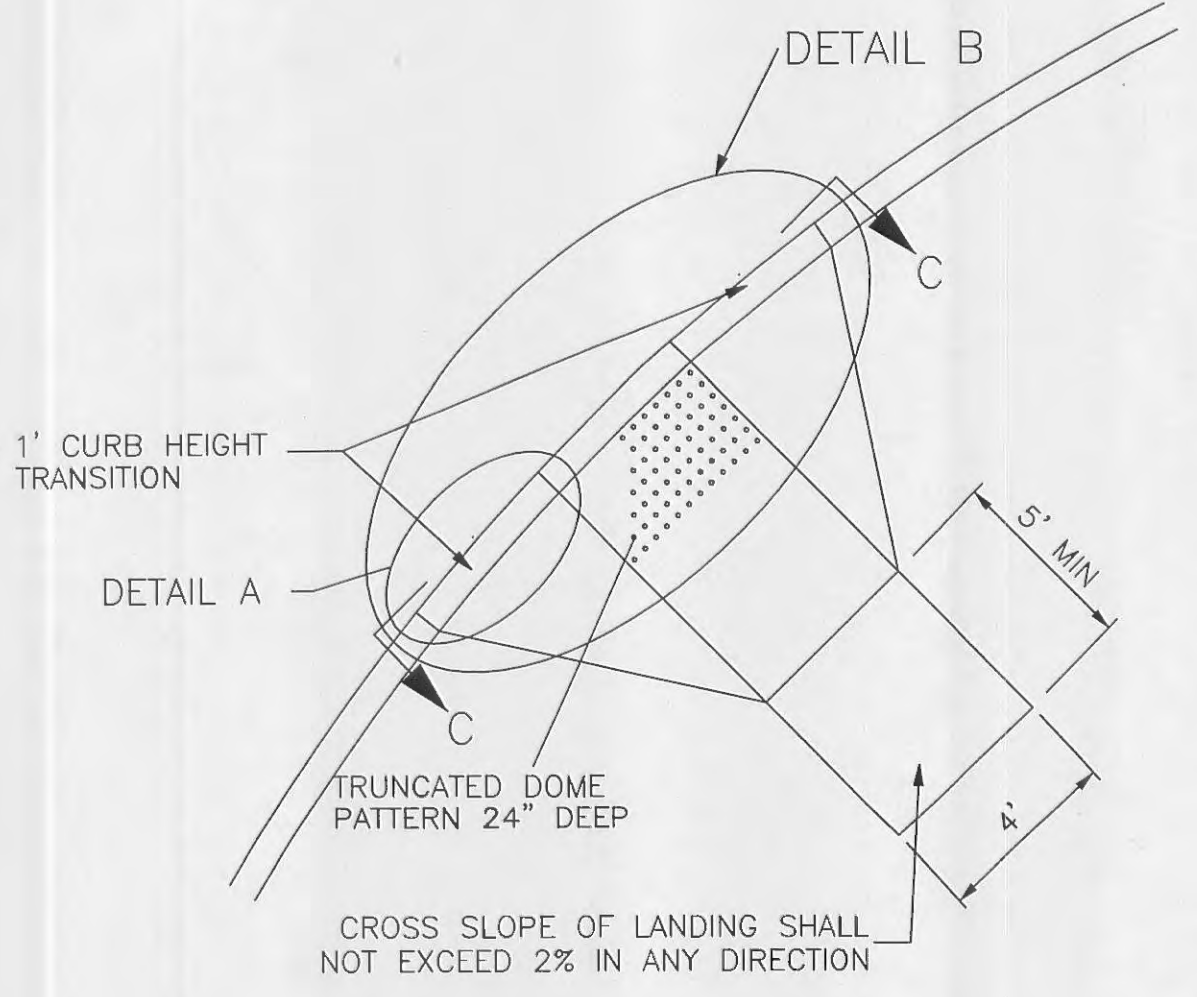
Duckett Creek Sanitary District
CAST IRON MANHOLE COVERS (LOCK TYPE)
Date: 12-27-00
Sheet No. 14



Duckett Creek Sanitary District
LOCKING DEVICE FOR TYPE "N" LOCK TYPE MANHOLE COVER
Date: 12-27-00
Sheet No. 15



Duckett Creek Sanitary District
LOCKING DEVICE FOR TYPE "T" LOCK TYPE MANHOLE COVER
Date: 12-28-00
Sheet No. 16



Concrete Curb Ramp
NO SCALE

