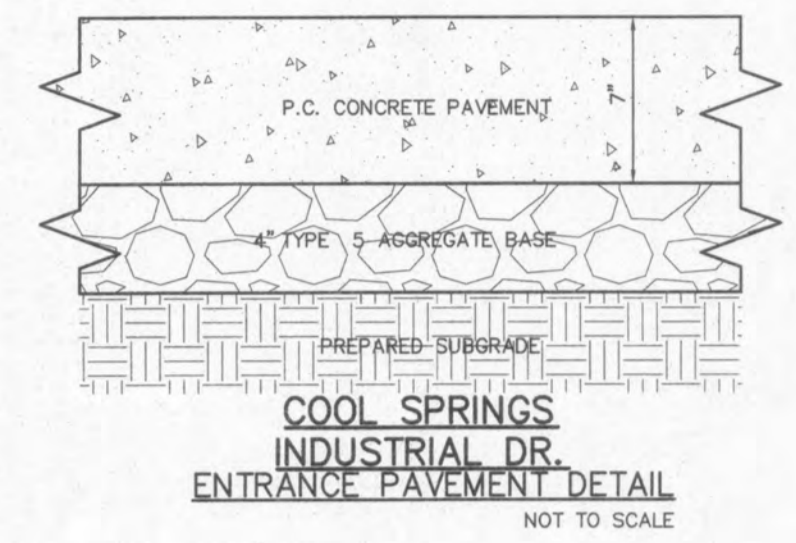
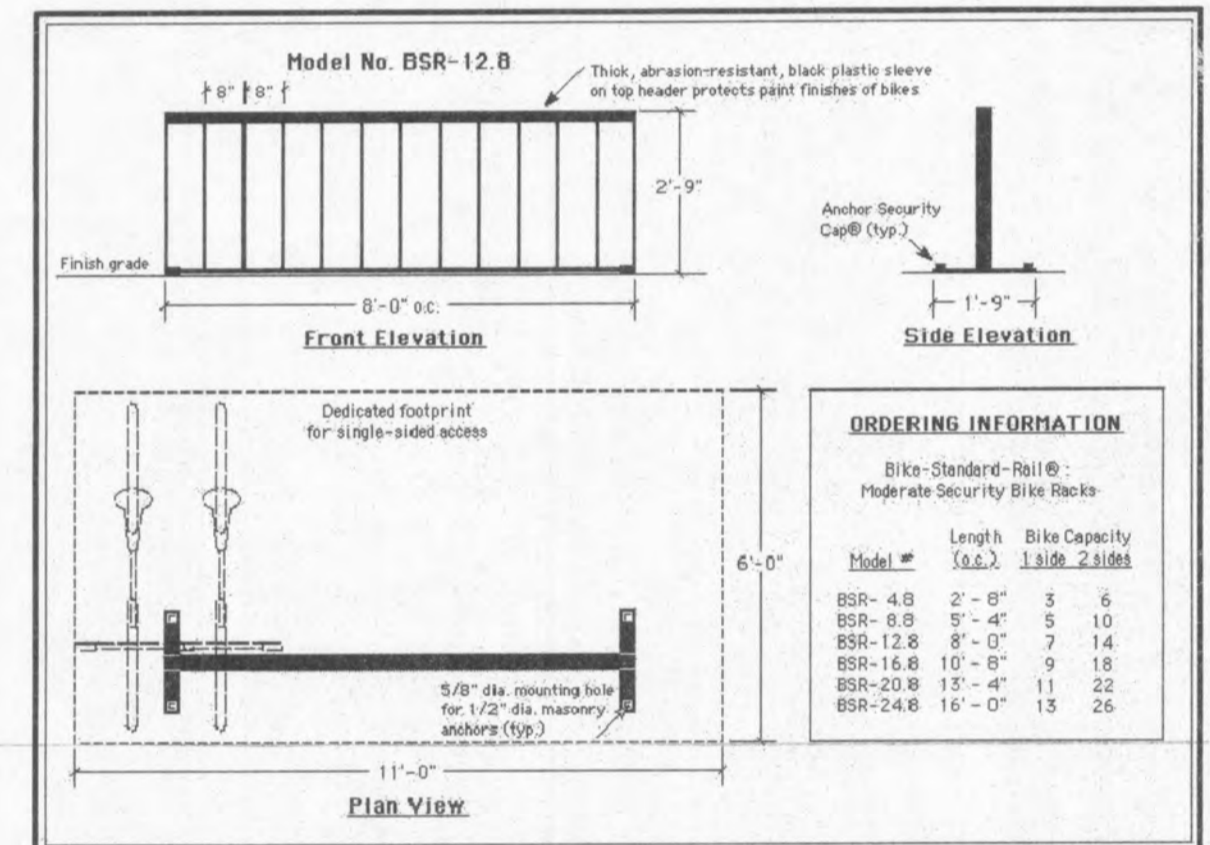


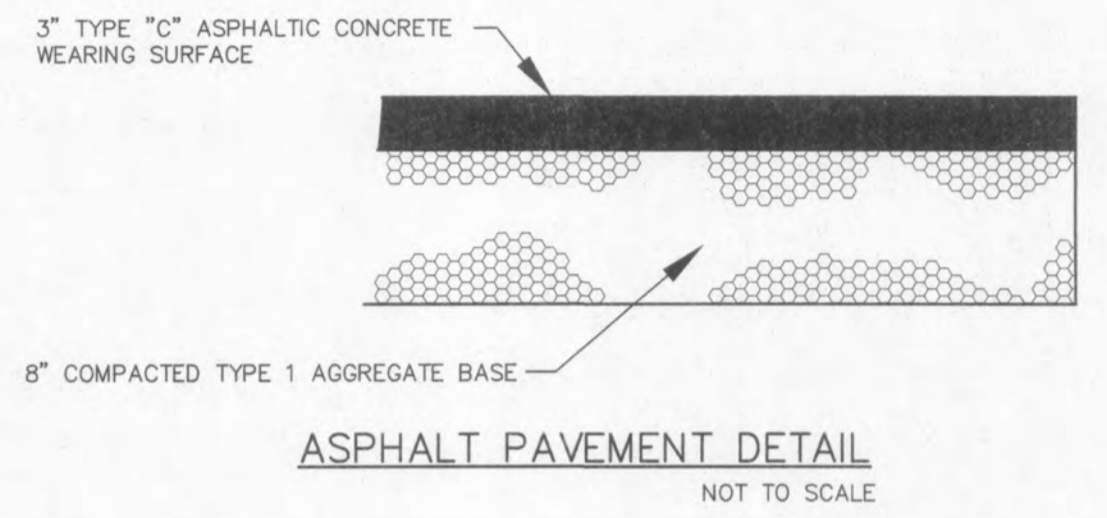
CONSTRUCTION SPECIFICATIONS

1. Stone Size - Use 2" stone, or reclaimed or recycled concrete equivalent.
2. Length - As required, but not less than 50 feet (except on a single residence lot where a 30 foot minimum length would apply).
3. Thickness - Not less than six (6) inches.
4. Width - Twenty (20) foot minimum, but not less than the full width at points where ingress or egress occurs.
5. Filter Cloth - Will be placed over the entire area prior to placing of stone. Filter will not be required on a single family residence lot.
6. Surface Water - All surface water flowing or diverted toward construction entrances shall be piped across the entrance. If piping is impractical, a mountable berm with 5:1 slopes will be permitted.
7. Maintenance - The entrance shall be maintained in a condition which will prevent tracking or flowing of sediment onto public rights-of-way. This may require periodic top dressing with additional stone as conditions demand and repair and/or cleanout of any measures used to trap sediment. All sediment spilled, dropped, washed or tracked onto public rights-of-way must be removed immediately.
8. Washing - Wheels shall be cleaned to remove sediment prior to entrance onto public rights-of-way. When washing is required, it shall be done on an area stabilized with stone and which drains into an approved sediment trapping device.
9. Periodic inspection and needed maintenance shall be provided after each rain.

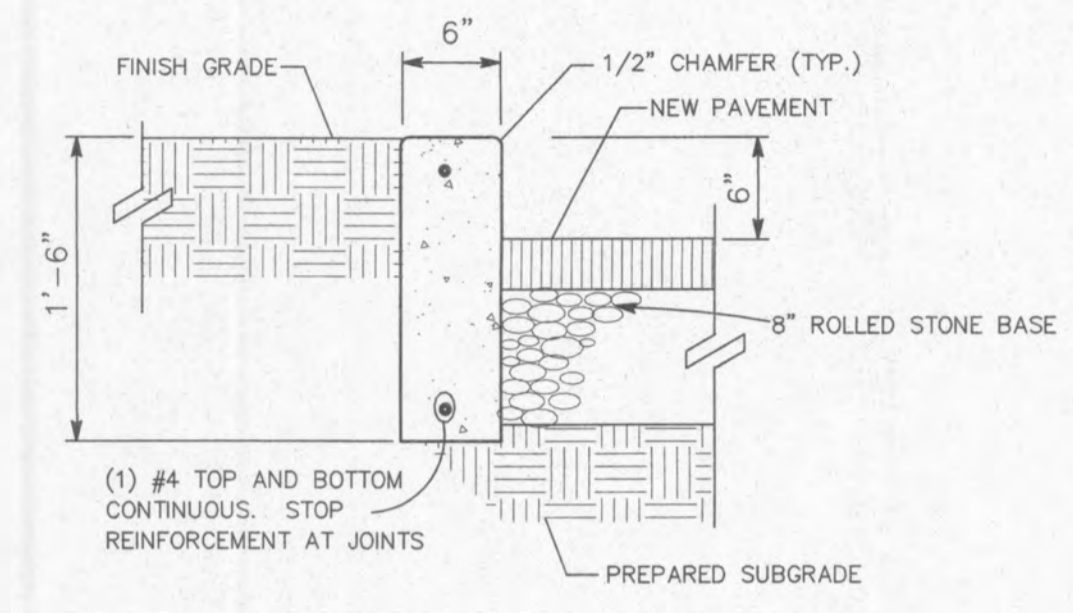
STABILIZED CONSTRUCTION ENTRANCE/WASHDOWN AREA
NOT TO SCALE



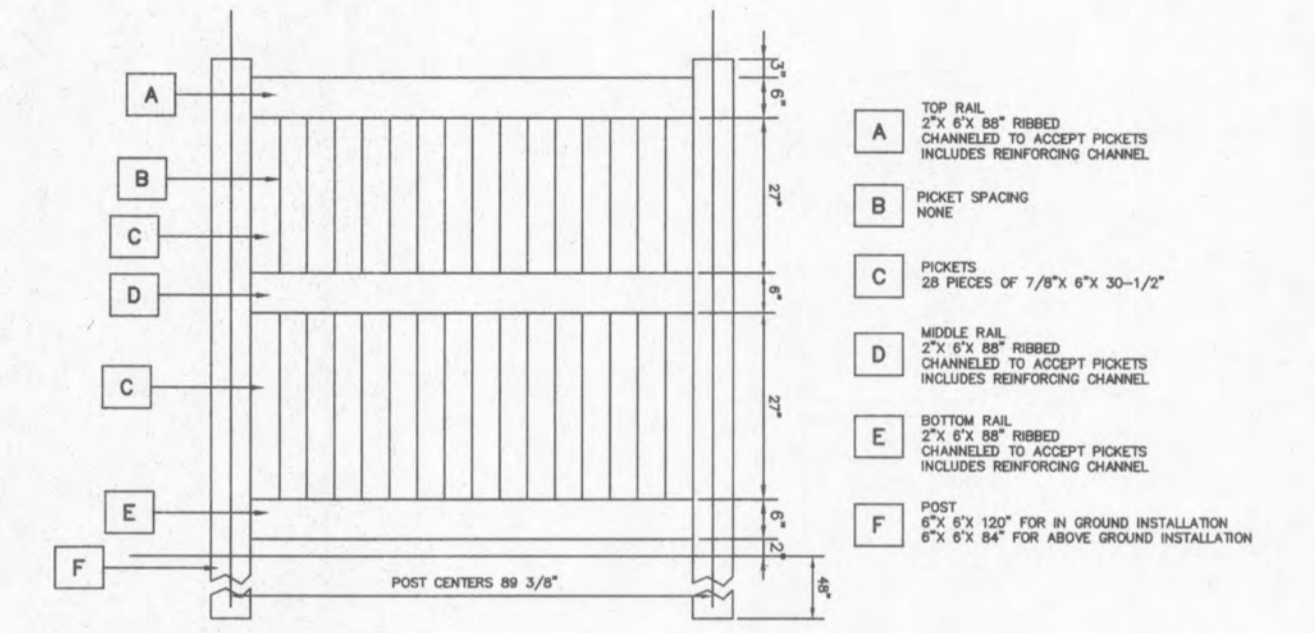
COOL SPRINGS INDUSTRIAL DR. ENTRANCE PAVEMENT DETAIL
NOT TO SCALE



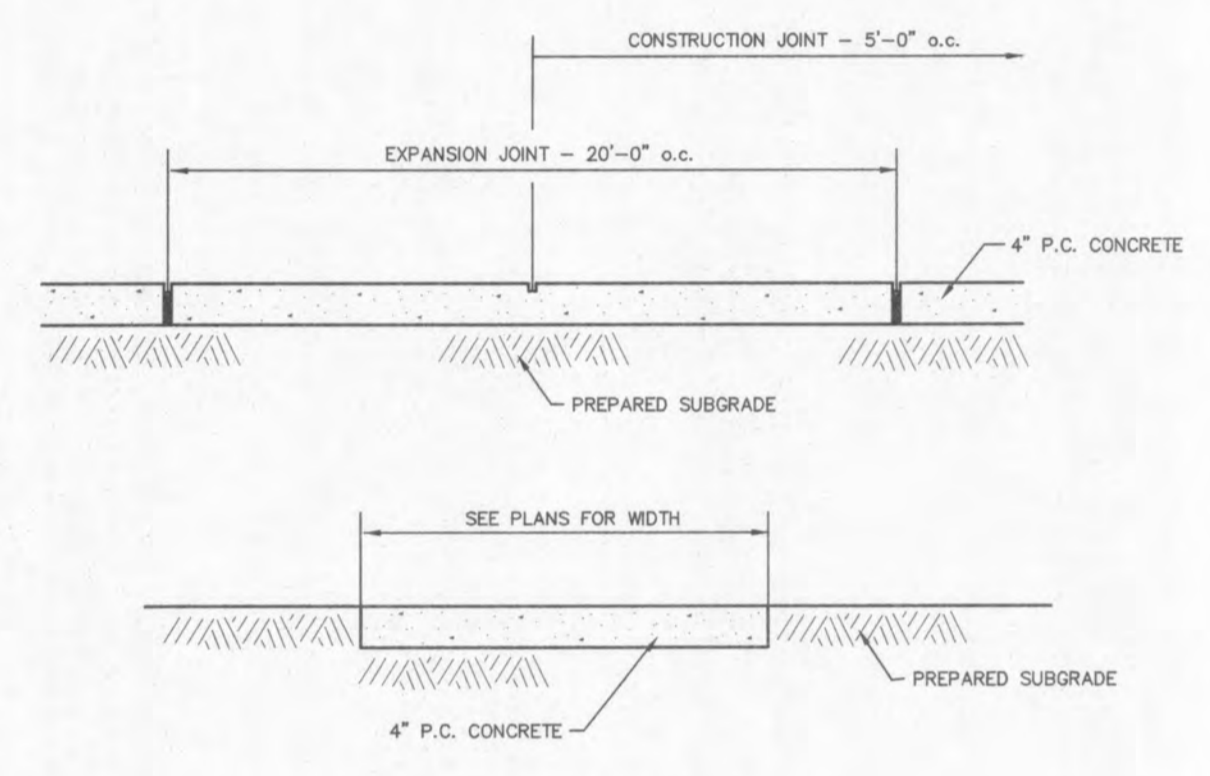
ASPHALT PAVEMENT DETAIL
NOT TO SCALE



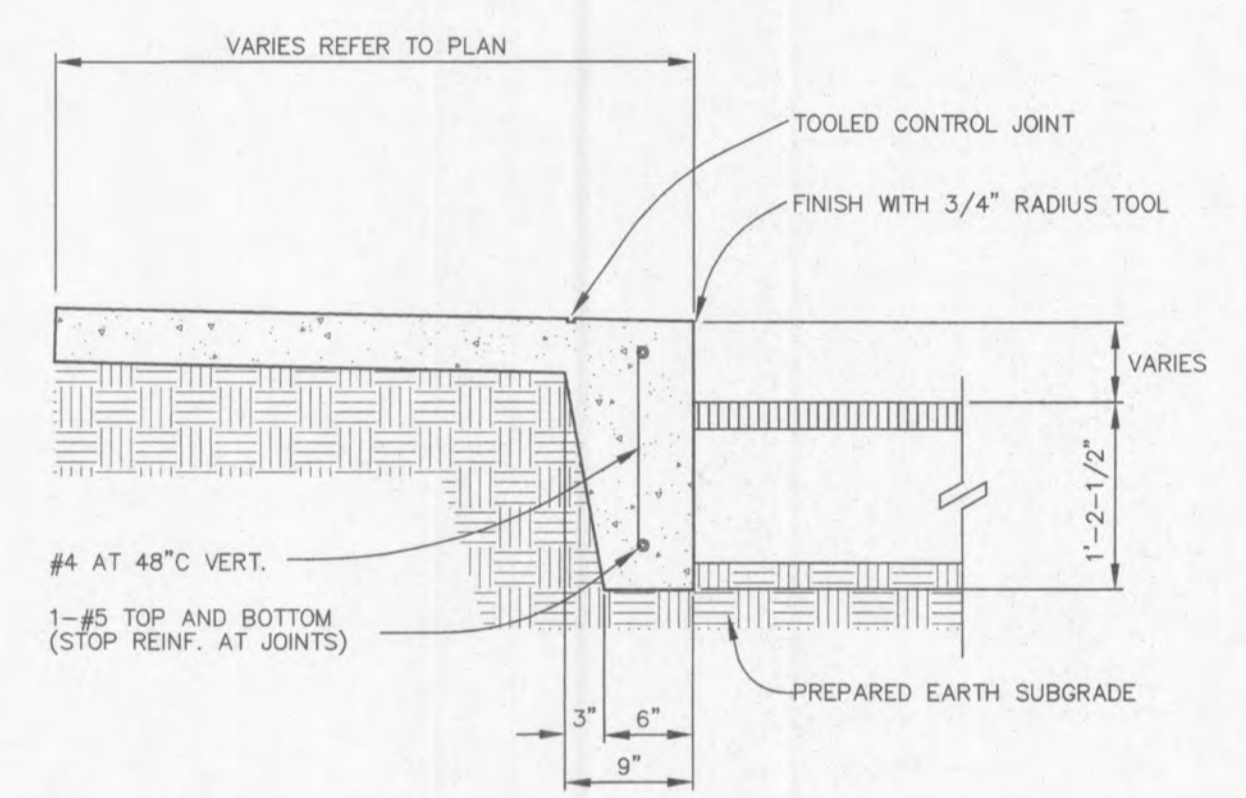
CONCRETE CURB DETAIL
NOT TO SCALE



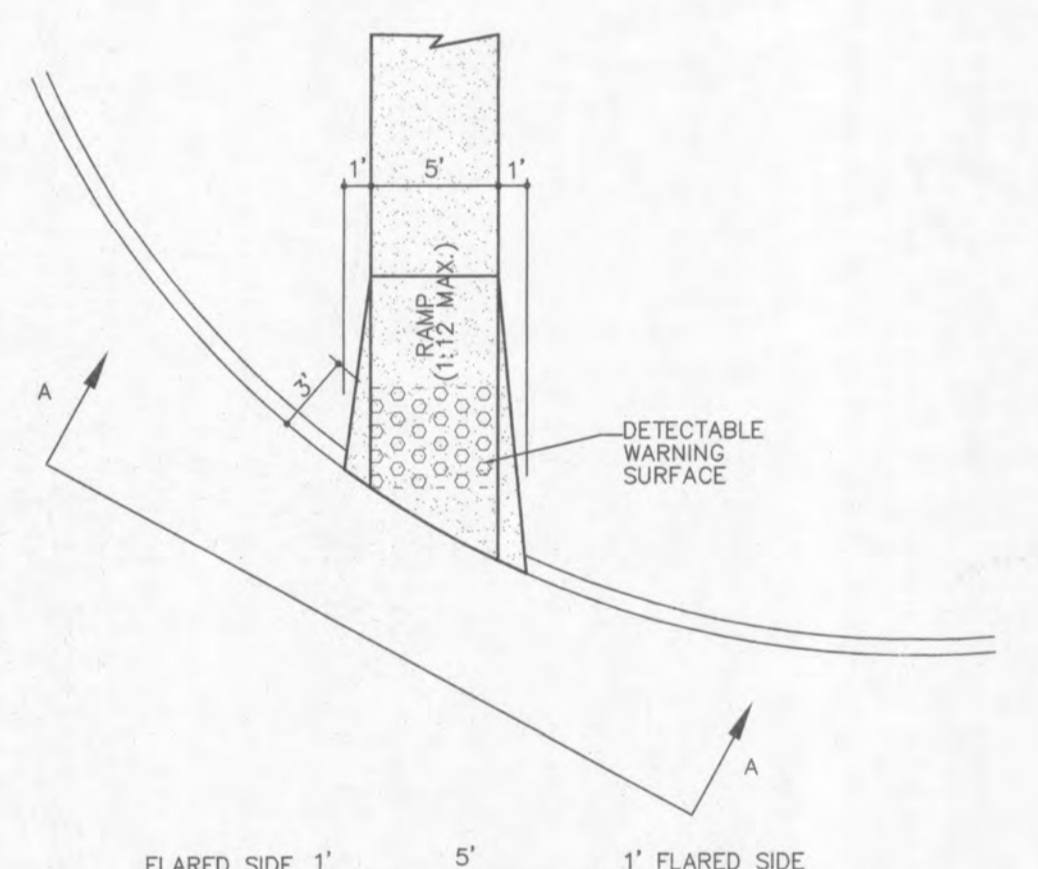
8' HIGH WOOD PRIVACY FENCE
NOT TO SCALE



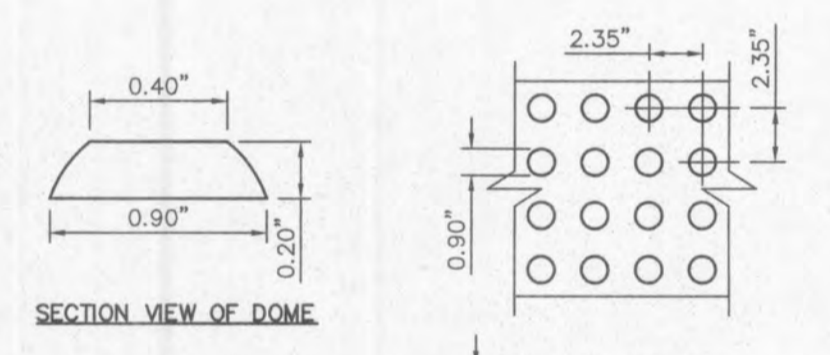
CONCRETE SIDEWALK DETAIL
NOT TO SCALE



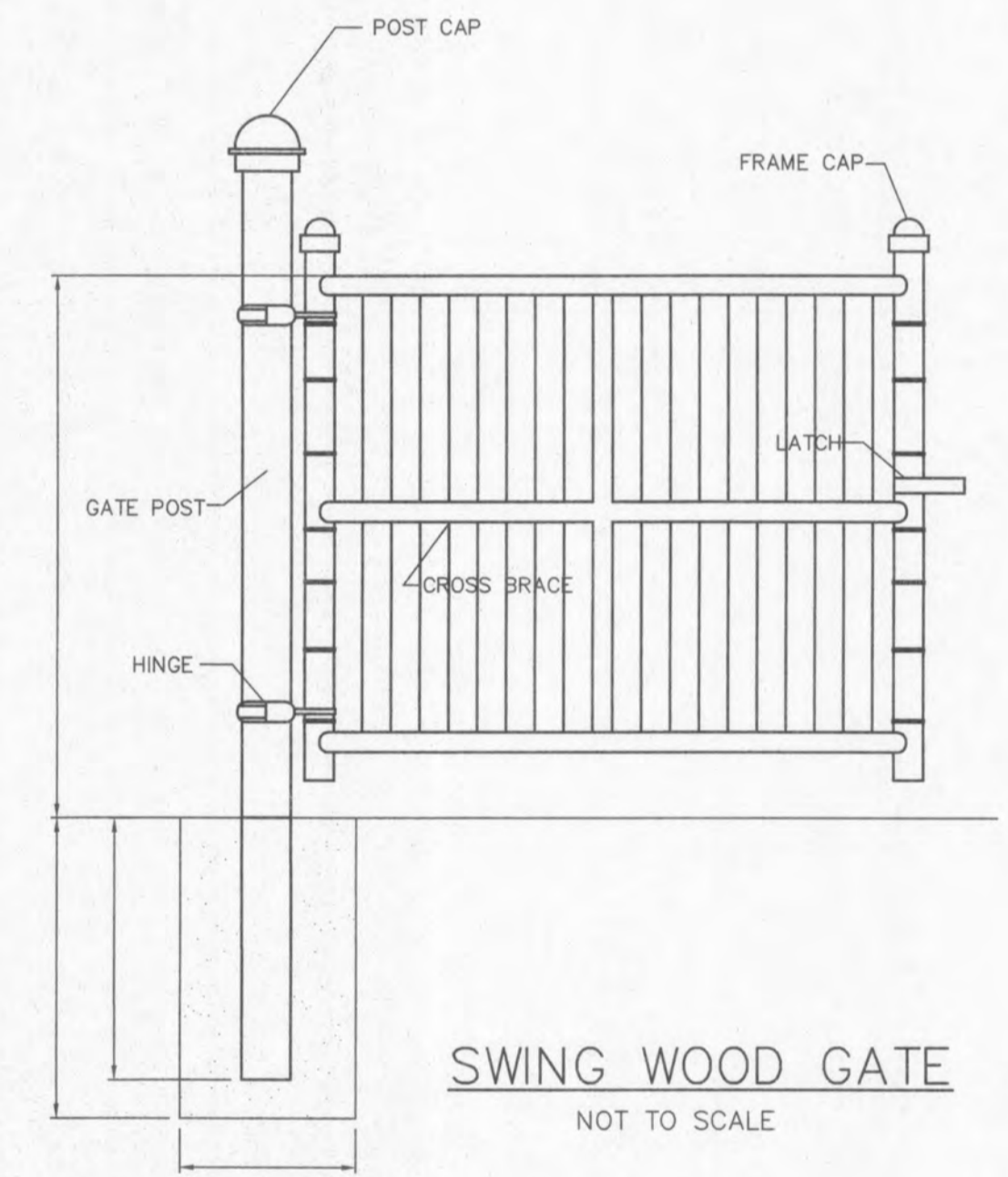
TURNED DOWN CONCRETE WALK
NOT TO SCALE



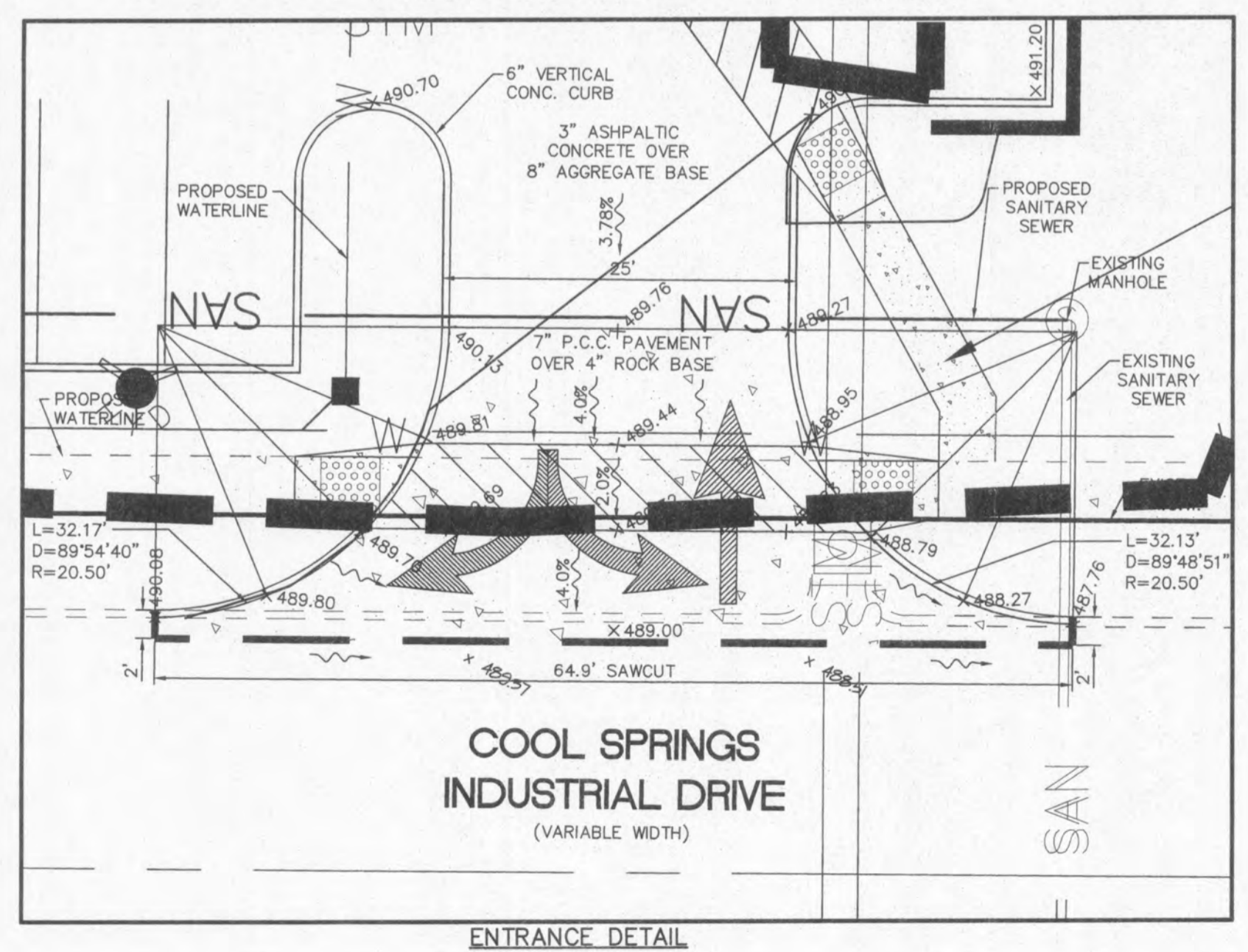
HANDICAPPED RAMP WITH DETECTABLE WARNING DETAIL
NOT TO SCALE



PLAN VIEW OF A DETECTABLE WARNING SURFACE SHOWING DOMES ALIGNED IN ROWS, NOT SKEWED DIAGONALLY.
TYPICAL DETAIL OF DETECTABLE WARNING SURFACE
NOT TO SCALE

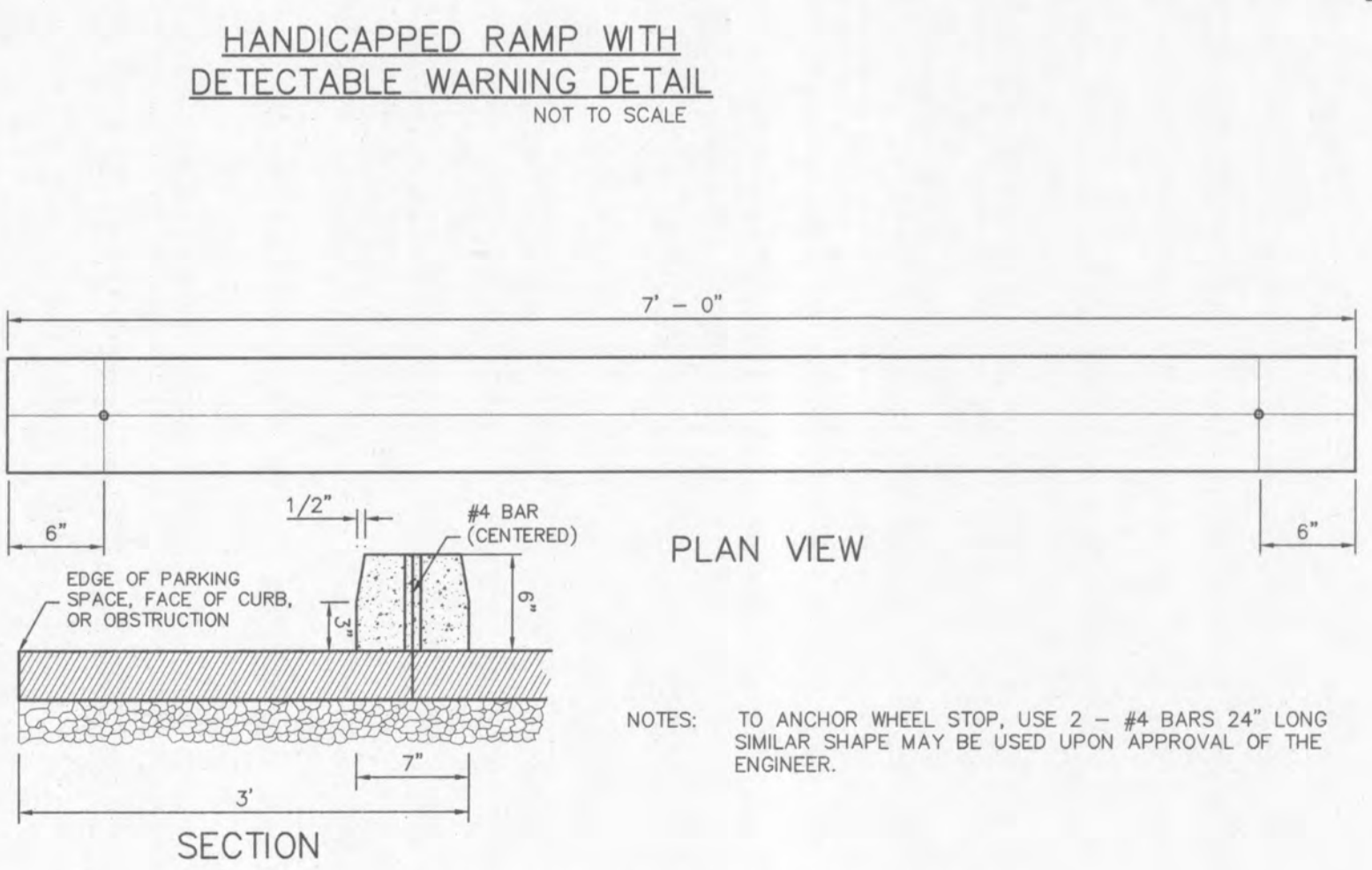
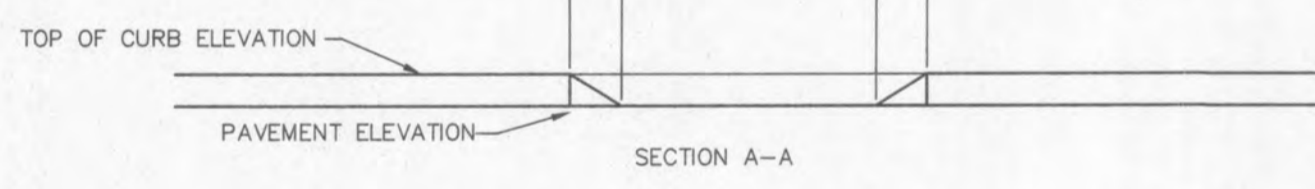


SWING WOOD GATE
NOT TO SCALE



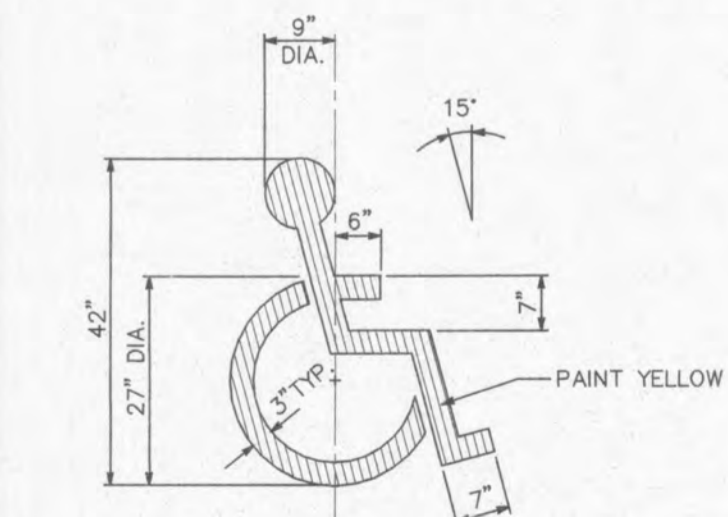
COOL SPRINGS INDUSTRIAL DRIVE (VARIABLE WIDTH)
ENTRANCE DETAIL
SCALE: 1"=10'

Note: All spots are to top of pavement. All pavement to be removed shall be to the nearest joint.



PRECAST CONCRETE WHEELSTOP

NOTES: TO ANCHOR WHEEL STOP, USE 2 - #4 BARS 24" LONG SIMILAR SHAPE MAY BE USED UPON APPROVAL OF THE ENGINEER.



PAINTED HANDICAPPED PARKING SYMBOL
NOT TO SCALE



HANDICAP PARKING SIGN (CITY OF O'FALLON)
NOT TO SCALE

