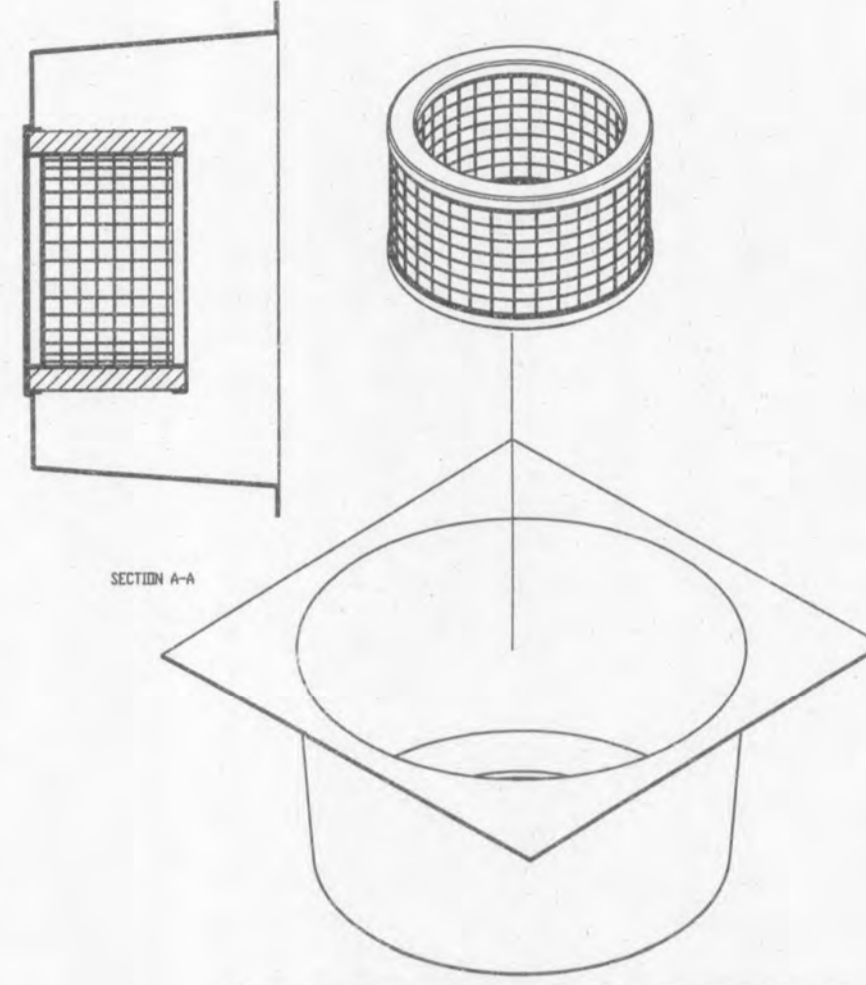
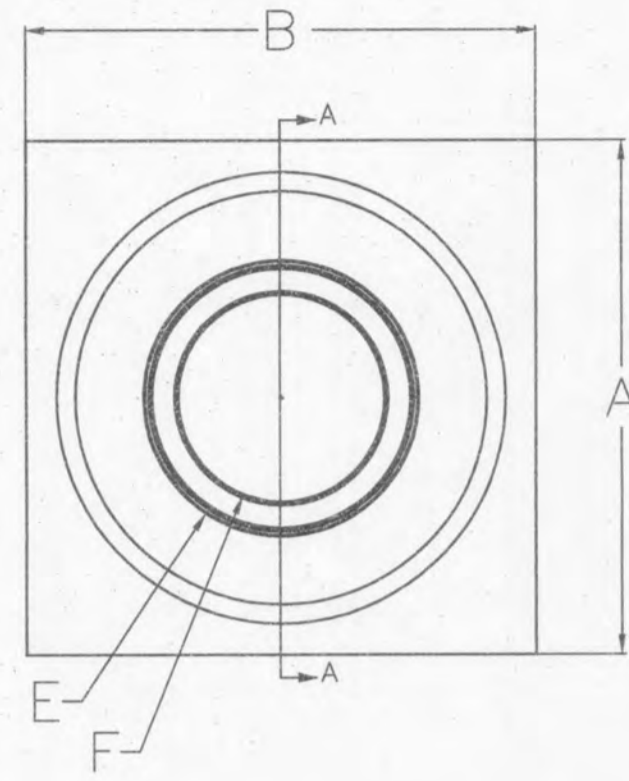
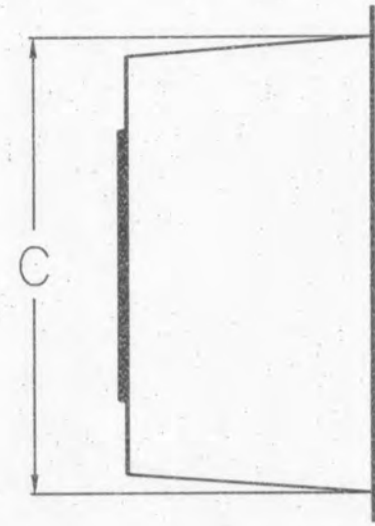


REVISIONS:
05-29-08 Per City Comments
06-24-08 Per City Comments
07-09-08 Per City Comments



NOTES:
1. ALL DIMENSIONS ARE IN INCHES.
2. UNITS ARE CONSTRUCTED FROM HIGH DENSITY POLYETHYLENE PLASTIC WITH UV INHIBITORS.
3. MEDIA CARTRIDGES CAN BE INTERCHANGED WITH GEOTEXTILE FILTERS AS SITE CONDITIONS CHANGE.
4. LOW PROFILE FILTER ARE ALSO AVAILABLE FOR SHALLOW CATCH BASINS.
5. CUSTOM SIZES ARE AVAILABLE TO FIT MOST APPLICATIONS. PLEASE CALL A DISTRIBUTOR NEAR YOU FOR DETAILS.
6. OPTIONAL TRASH GUARDS AVAILABLE.
7. DUAL STAGE AND DUAL CAPACITY FILTERS ALSO AVAILABLE.
8. 10", 12" AND 14" CAN BE TUNED TO FIT.
9. CUSTOM INSTALL BRACKETS ARE AVAILABLE AS NEEDED.

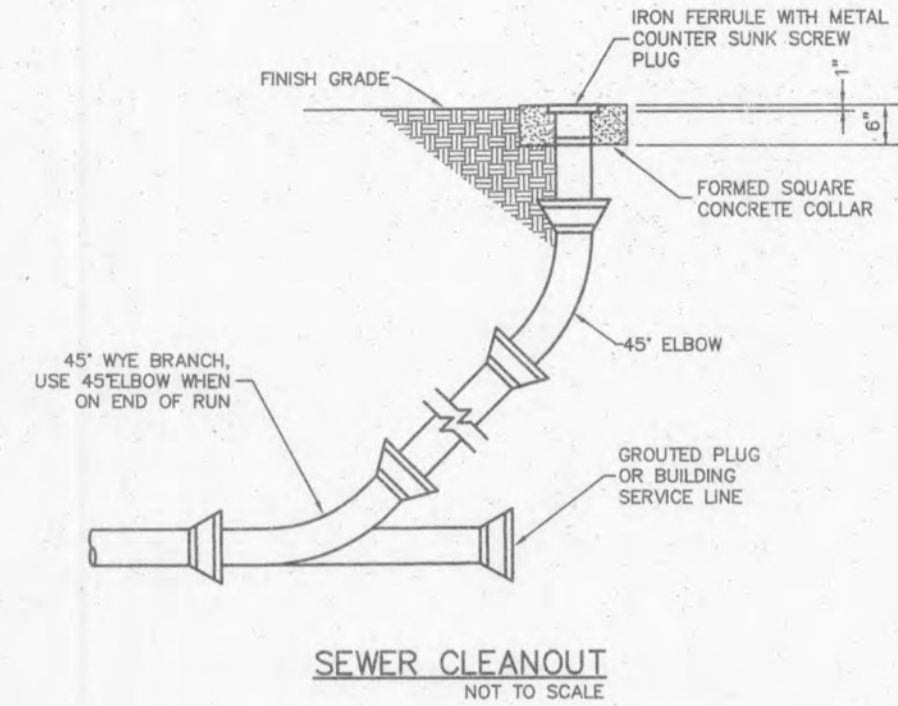


MODEL #	A*	B*	C	D	E	F	G*	#CARTRIDGES
TR1212	13.00	13.00	11.00	11.00	6.75	3.75	5.5	1
TR1212HC	Ø13.00	Ø11.00			6.75	3.75	5.5	1
TR1616	18.00	18.00	14.00	14.00	6.75	3.75	10.5	1
TR1818	20.00	20.00	17.00	17.00	10.5	7.25	10.5	1
TR1818HC	Ø20.00	Ø16.50			10.5	7.25	10.5	1
TR1824	19.00	25.00	17.00	17.00	10.5	7.25	10.5	1
TR2024	21.00	25.00	17.00	17.00	10.5	7.25	10.5	1
TR2424SR	26.00	26.00	21.00	21.00	14.0	11.0	13.0	1
TR24RD	Ø26.00	Ø21.00			14.0	11.0	13.0	1
TR2436	26.00	38.00	17.00	30.00	10.5	7.25	10.5	2
TR3030	33.00	33.00	21.00	21.00	14.0	11.0	13.0	1
TR3636	40.00	40.00	34.00	34.00	10.5	7.25	10.5	4
TR36RD	Ø40.00	Ø30.00			14.0	11.0	22.0	1-TALL
TR2448	26.00	52.00	21.00	42.00	14.0	11.0	13.0	2
TR4848	52.00	52.00	42.00	42.00	24.0	20.0	22.0	1-TALL

TYPICAL DETAIL WITH SIZING TABLE
CATCHBASIN INSERT
TRITON

REV	DESCRIPTION	REVISIONS

SCALE: NONE
DRAWN: JBS
CHECKED: WBS
FILE NAME: TYPTRITON
DATE: 4/10/07

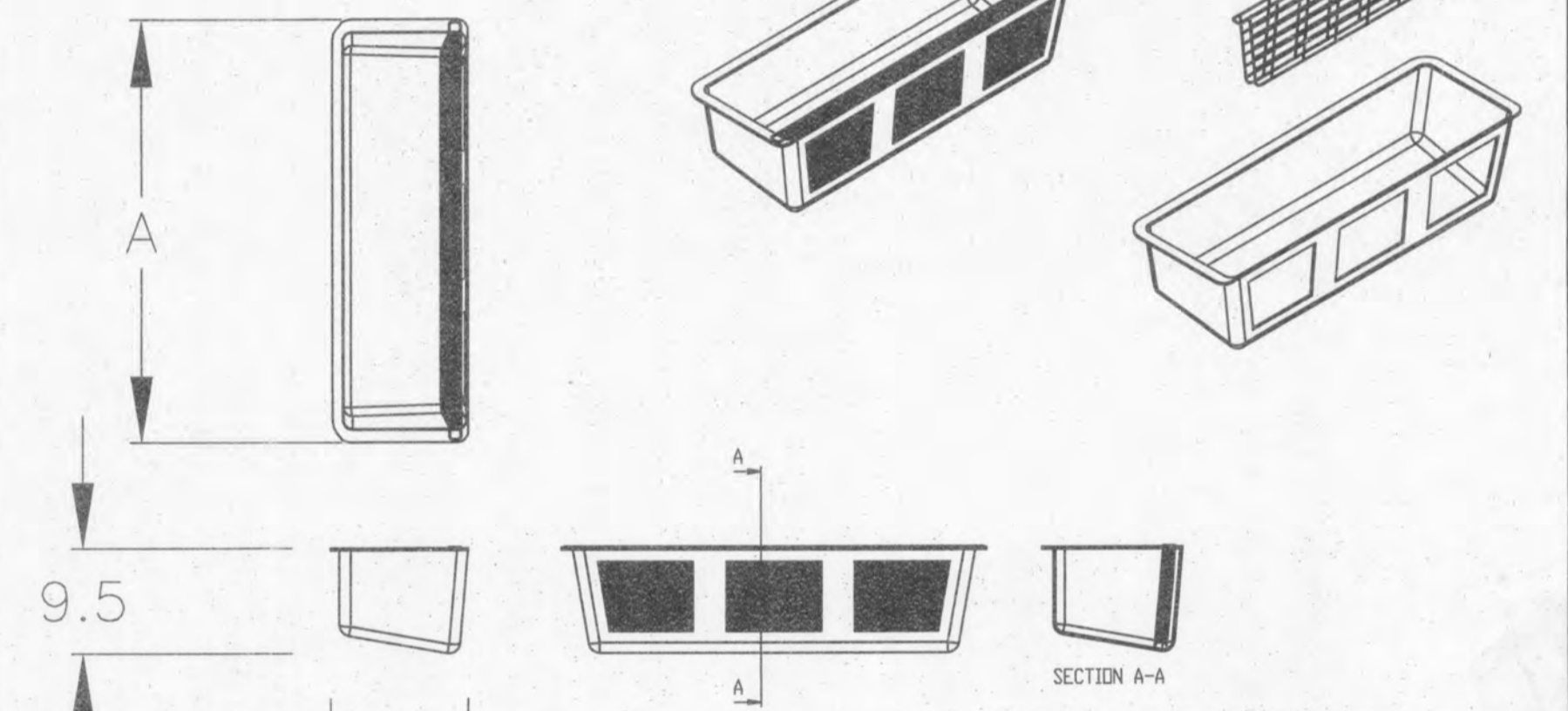


SEWER CLEANOUT
NOT TO SCALE

NOTES:
1. ALL DIMENSIONS ARE IN FEET. CUSTOM SIZES ALSO AVAILABLE.
2. UNITS ARE CONSTRUCTED FROM HIGH DENSITY POLYETHYLENE PLASTIC WITH UV INHIBITORS. OVER 40% RECYCLED CONTENT.
3. DISPOSABLE MEDIA-PAK IS CONSTRUCTED OF DURABLE GEOTEXTILE FABRIC, WOVEN WITH PERFORATED POLYPROPYLENE.
4. MEDIA-PAK CAGE IS CONSTRUCTED USING 8 GAUGE TYPE 304 STAINLESS STEEL.
5. FILTER BODY IS SECURED TO INSIDE WALL USING (2) 1/4" THICK BRACKETS PER SECTION.
6. ATTACHED USING 3/8" X 3" EXPANSION ANCHOR BOLTS.
7. OPTIONAL STORMWEB, DESIGNED FOR CAPTURING LARGER TRASH AND DEBRIS.
8. FILTER MEDIA IS NON-HAZARDOUS PER EPA AND OSHA STANDARDS.
9. PLEASE REFER TO MANUFACTURER RECOMMENDATIONS FOR AN APPROVED MAINTENANCE PROGRAM.

STANDARD DIMENSIONS

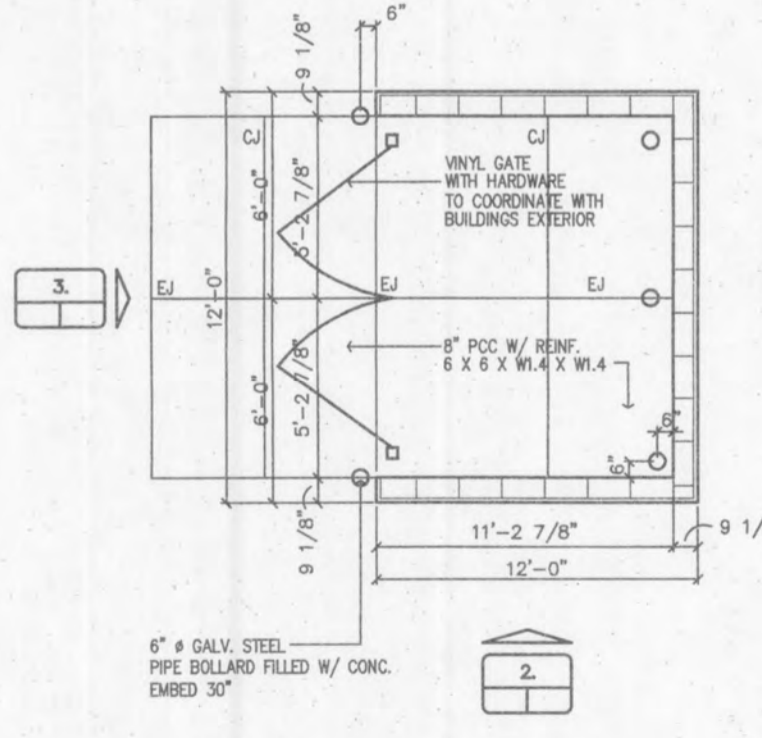
MODEL #	A*
TRC2	2.00
TRC2.5	2.50
TRC3	3.00
TRC3.5	3.50
TRC4	4.00
TRC5	5.00
TRC6	6.00
TRC7	7.00
TRC8	8.00
TRC9	9.00
TRC10	10.00
TRC12	12.00
TRC14	14.00
TRC21	21.00
TRC28	28.00



TYPICAL DETAIL WITH SIZING TABLE
CURB INLET
TRITON

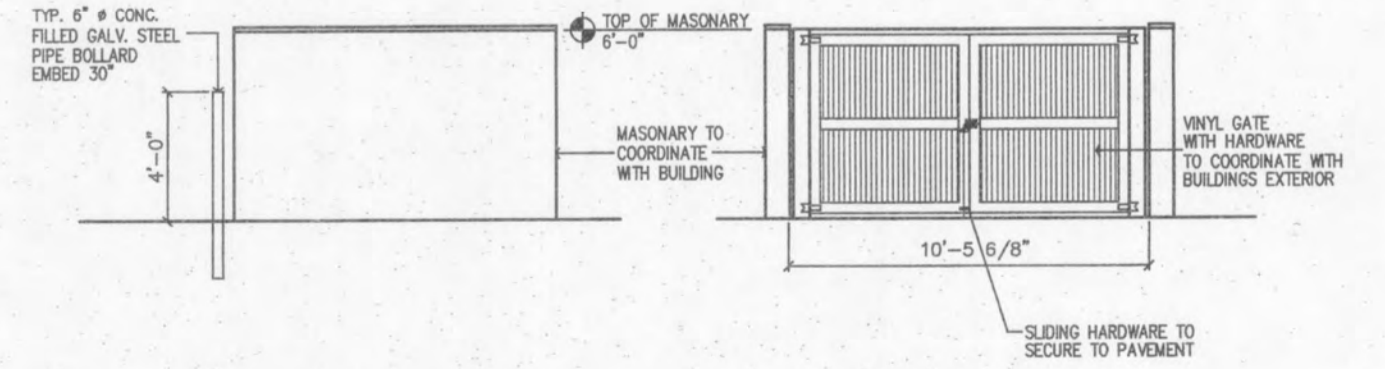
REV	DESCRIPTION	REVISIONS

SCALE: NONE
DRAWN: JBS
CHECKED: WBS
FILE NAME: TYPTRITON
DATE: 4/10/07



1. TRASH ENCLOSURE PLAN
NOT TO SCALE

THIS DETAIL HAS BEEN PROVIDED FOR CONCEPTUAL APPROVAL ONLY. EXACT DETAIL OF MATERIAL AND CONSTRUCTION METHODS SHALL BE OUTLINED IN THE ARCHITECTURAL BUILDING PLANS.



2. ELEVATION
NOT TO SCALE

3. ELEVATION
NOT TO SCALE