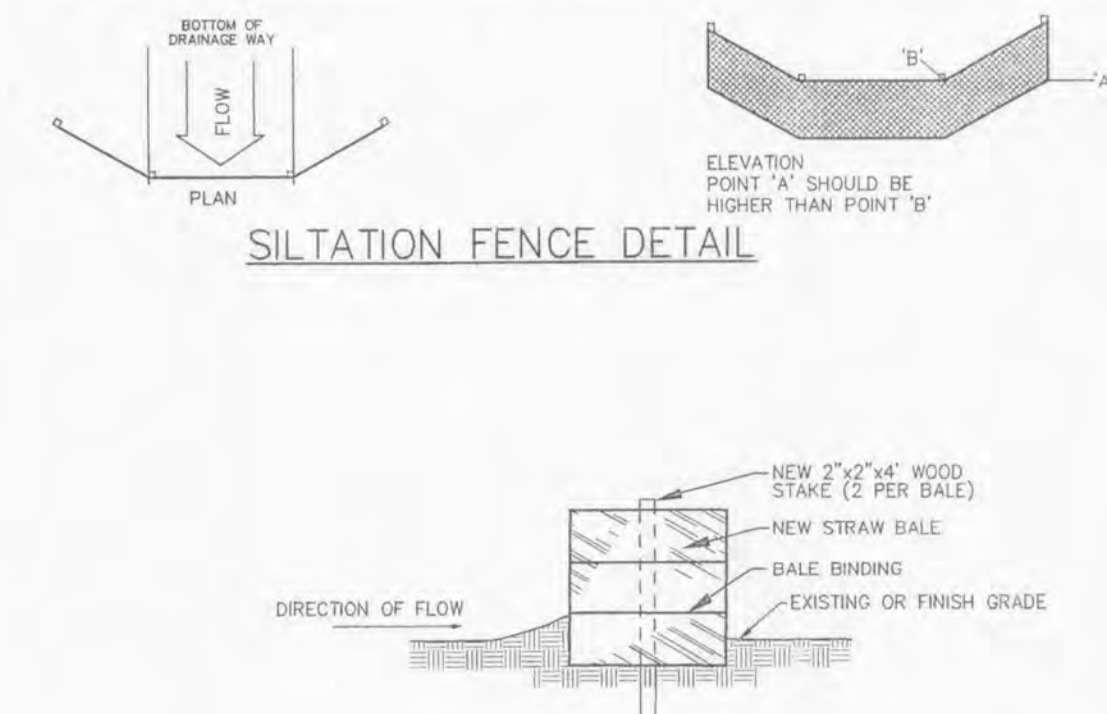
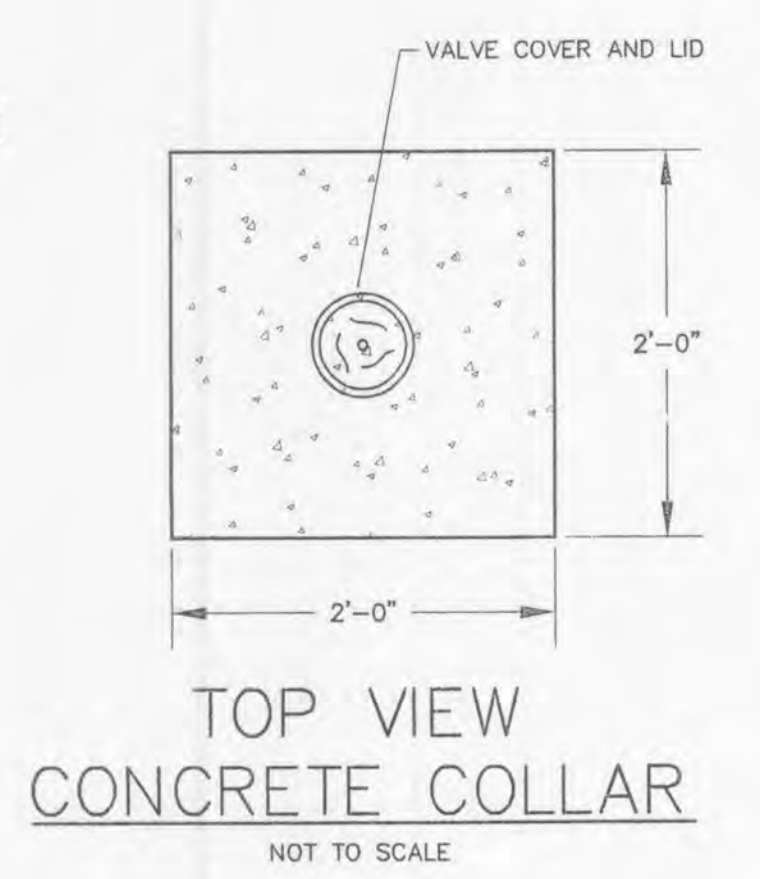
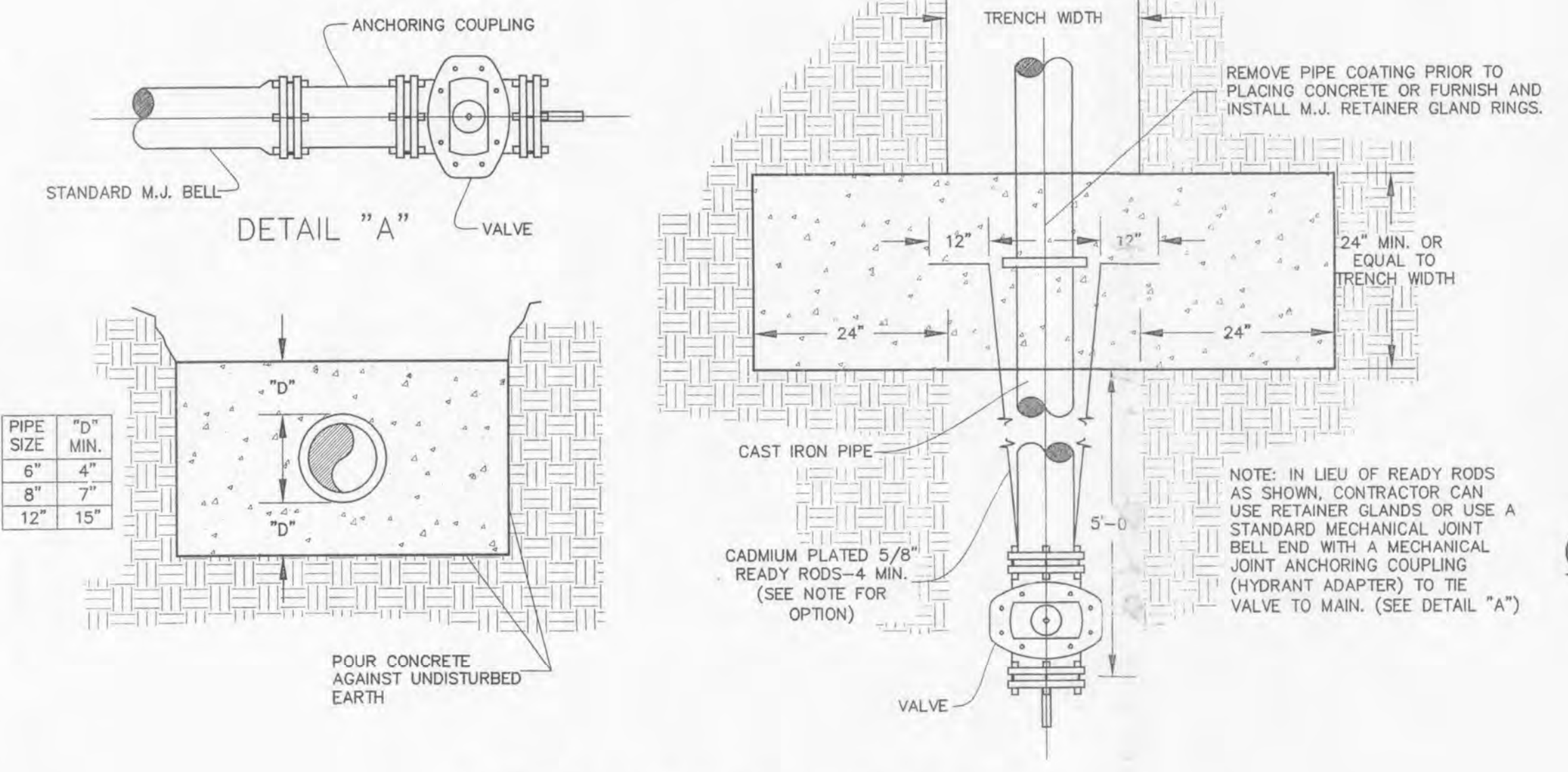
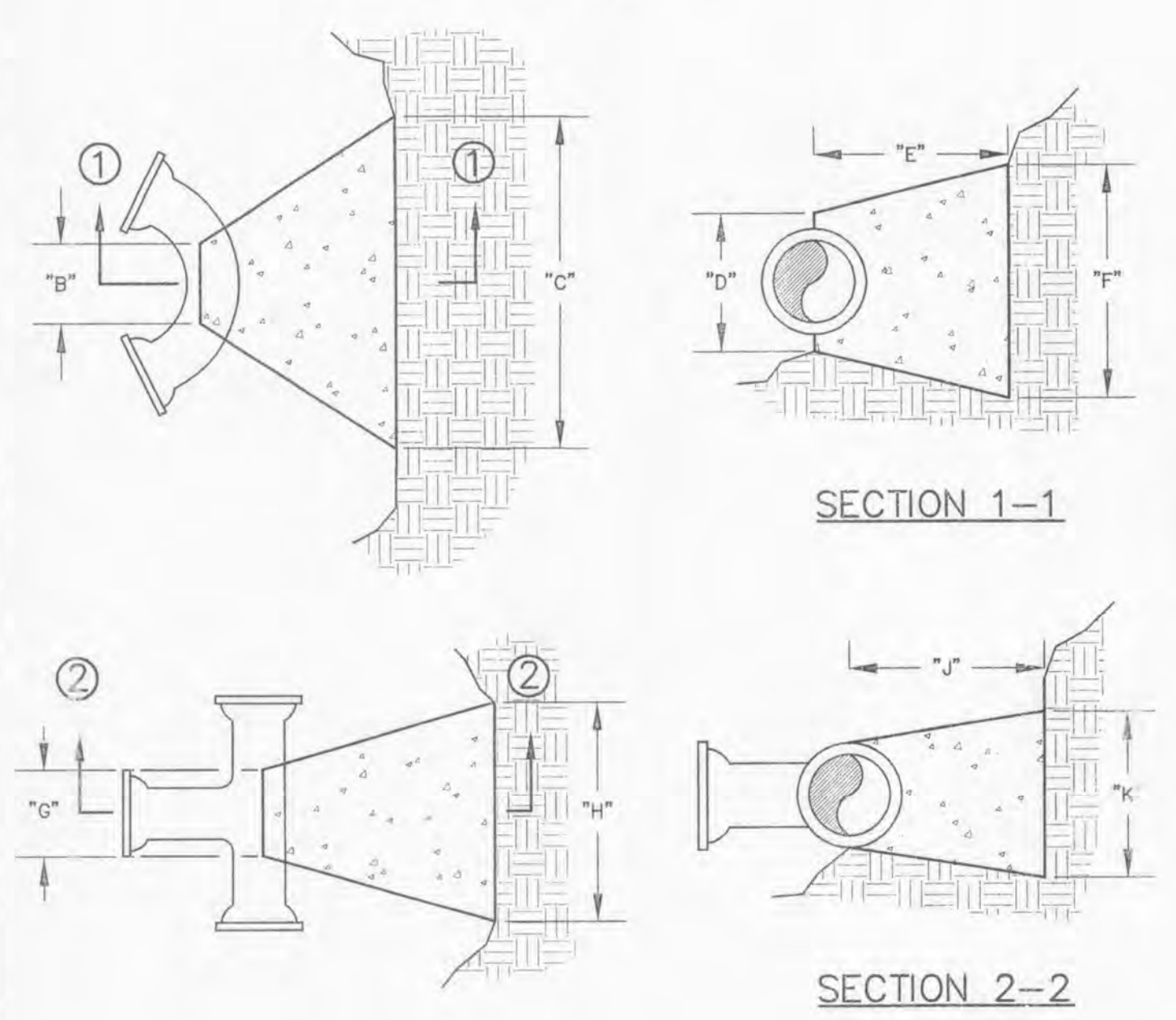


1. FILTER BARRIERS SHALL BE INSPECTED IMMEDIATELY AFTER EACH RAINFALL AND AT LEAST DAILY DURING PROLONGED RAINFALL. ANY REQUIRED REPAIRS SHALL BE MADE IMMEDIATELY.
2. SHOULD THE FABRIC DECOMPOSE OR BECOME INEFFECTIVE PRIOR TO THE END OF THE EXPECTED USABLE LIFE AND THE BARRIER STILL BE NECESSARY, THE FABRIC SHALL BE REPLACED PROMPTLY.
3. SEDIMENT DEPOSITS SHOULD BE REMOVED AFTER EACH STORM EVENT. THEY MUST BE REMOVED WHEN DEPOSITS REACH APPROXIMATELY HALF THE HEIGHT OF THE BARRIER.
4. ANY SEDIMENT DEPOSITS REMAINING IN PLACE AFTER THE SILT FENCE OR FILTER BARRIER IS NO LONGER REQUIRED SHALL BE DRESSED TO CONFORM WITH THE EXISTING GRADE, PREPARED AND SEEDED.



- NOTES:
1. STRAW BALES, NOT HAY BALES SHALL BE USED.
 2. BUTT ENDS OF BALES TIGHTLY TOGETHER.
 3. INSTALL BALES WITH BINDING AROUND SIDES, NOT TOP AND BOTTOM.
 4. FILL ANY GAP BETWEEN BALES BY WEDGING LOOSE STRAW BETWEEN THEM.

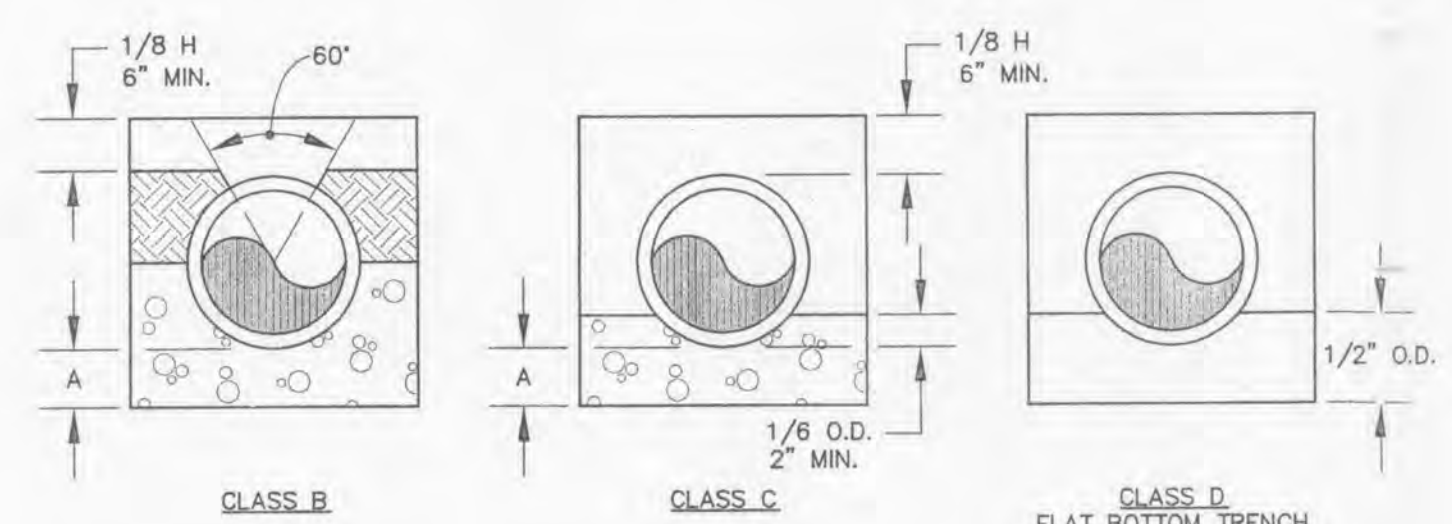
CITY OF O'FALLON WATER DETAILS



BENDS	"B"	"C"	"D"	"E"	"F"
6"-11 1/4"	8"	15"	12"	24"	10"
6"-22 1/2"	8"	19"	12"	24"	13"
6"-45"	8"	30"	12"	24"	15"
6"-90"	8"	30"	12"	24"	28"
8"-11 1/4"	8"	20"	12"	24"	10"
8"-22 1/2"	8"	22"	12"	24"	18"
8"-45"	8"	31"	12"	24"	24"
8"-90"	8"	38"	12"	24"	36"
12"-11 1/4"	8"	30"	12"	24"	15"
12"-22 1/2"	8"	35"	12"	24"	25"
12"-45"	8"	40"	12"	24"	40"
12"-90"	8"	60"	12"	24"	52"
16"-11 1/4"	TL	28"	20"	24"	28"
16"-22 1/2"	TL	39"	20"	24"	39"
16"-45"	TL	53"	20"	24"	55"
16"-90"	TL	91"	20"	24"	60"
20"-11 1/4"	TL	34"	24"	26"	28"
20"-22 1/2"	TL	48"	24"	26"	39"
20"-45"	TL	74"	24"	26"	55"
20"-90"	TL	136"	24"	26"	60"
24"-11 1/4"	TL	40"	28"	28"	40"
24"-22 1/2"	TL	58"	28"	28"	56"
24"-45"	TL	101"	28"	28"	60"
24"-90"	TL	186"	28"	28"	60"
30"-11 1/4"	TL	49"	34"	30"	49"
30"-22 1/2"	TL	79"	34"	30"	60"
30"-45"	TL	154"	34"	30"	60"
30"-90"	TL	285"	34"	30"	60"

TEES	"G"	"H"	"J"	"K"
6"x6"x6"	12"	24"	24"	18"
8"x8"x8"	12"	27"	24"	27"
12"x12"x8"	12"	24"	24"	18"
12"x12"x8"	12"	27"	27"	27"
12"x12"x12"	12"	38"	24"	38"
24"x24"x16"	16"	53"	28"	53"

- NOTES:
1. 2" & 4" FITTINGS EQUIVALENT TO 6" FITTINGS.
 2. TAPPING SLEEVES TO HAVE BACKING BLOCKS SAME SIZE AS REQUIRED FOR TEES.
 3. "TL" = TOTAL LENGTH OF FITTING MINUS CLEARANCE FOR BELLS.



LEGEND

- 1. 2" & 4" FITTINGS EQUIVALENT TO 6" FITTINGS.
- 2. TAPPING SLEEVES TO HAVE BACKING BLOCKS SAME SIZE AS REQUIRED FOR TEES.
- 3. "TL" = TOTAL LENGTH OF FITTING MINUS CLEARANCE FOR BELLS.

TABLE OF EMBEDMENT DEPTHS BELOW PIPE

I.D.	A MIN. SOIL	A MIN. ROCK
27" & SMALLER	3"	6"

GRANULAR BEDDING SHALL BE CRUSHED ROCK OR PEA GRAVEL WITH NOT LESS THAN 95% PASSING 1/2" (95% PASSING 3/4" FOR 30" AND LARGER PIPE) AND NOT LESS THAN 95% RETAINED ON A #4; TO BE PLACED IN NOT MORE THAN 6" LAYERS AND COMPACTED BY SLICING WITH A SHOVEL OR VIBRATING.

COMPACTED BACKFILL SHALL BE FINELY DIVIDED JOB EXCAVATED MATERIAL FREE FROM DEBRIS, ORGANIC MATERIAL AND STONES, PLACED IN UNIFORM LAYERS NOT MORE THAN 6" THICK, COMPACTED TO 95% MAXIMUM DENSITY AS DETERMINED BY A.S.T.M. D698, OR GRADED AGGREGATE. GRANULAR BACKFILL MATERIAL MAY BE SUBSTITUTED FOR ALL OR PART OF COMPACTED BACKFILL.

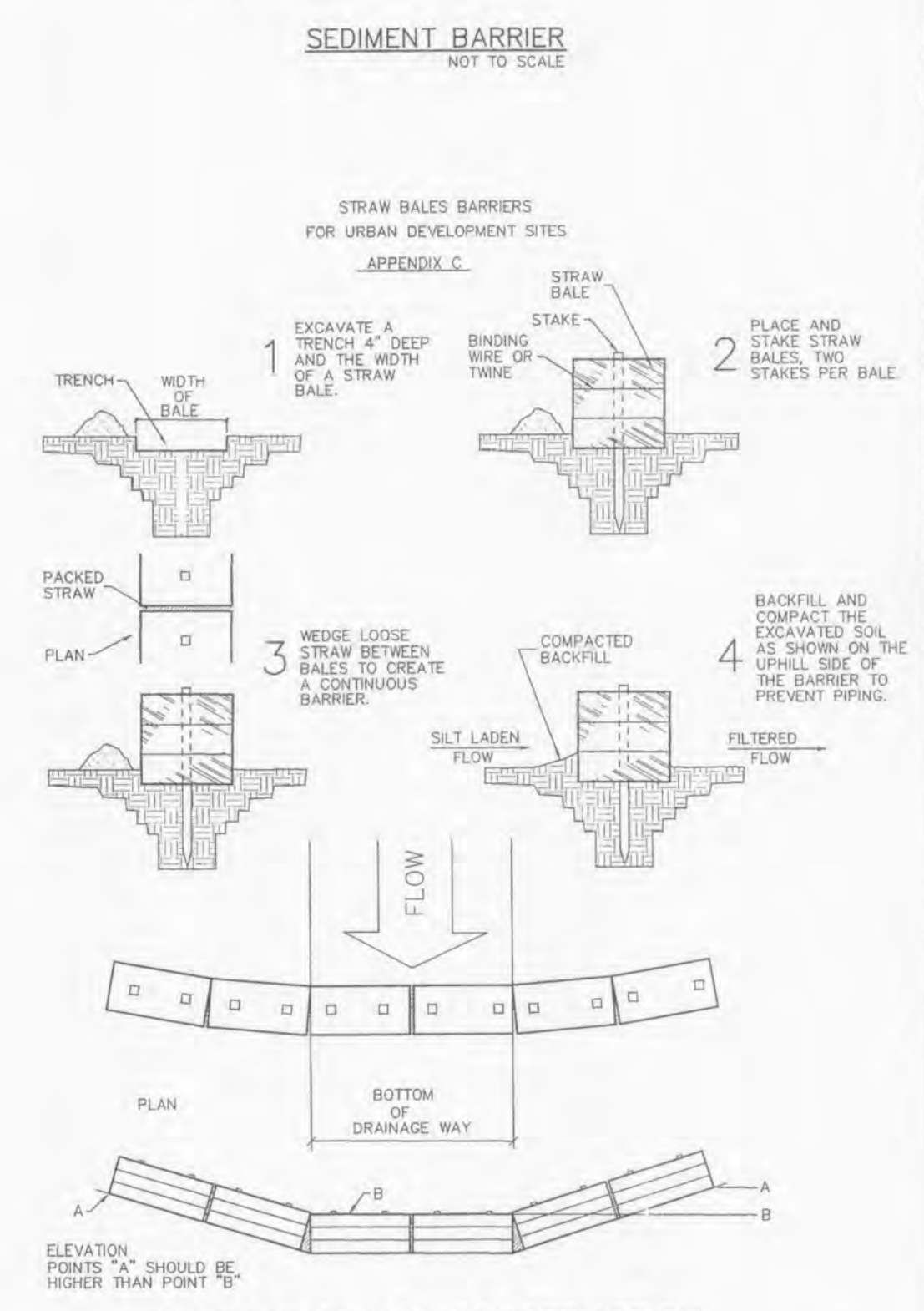
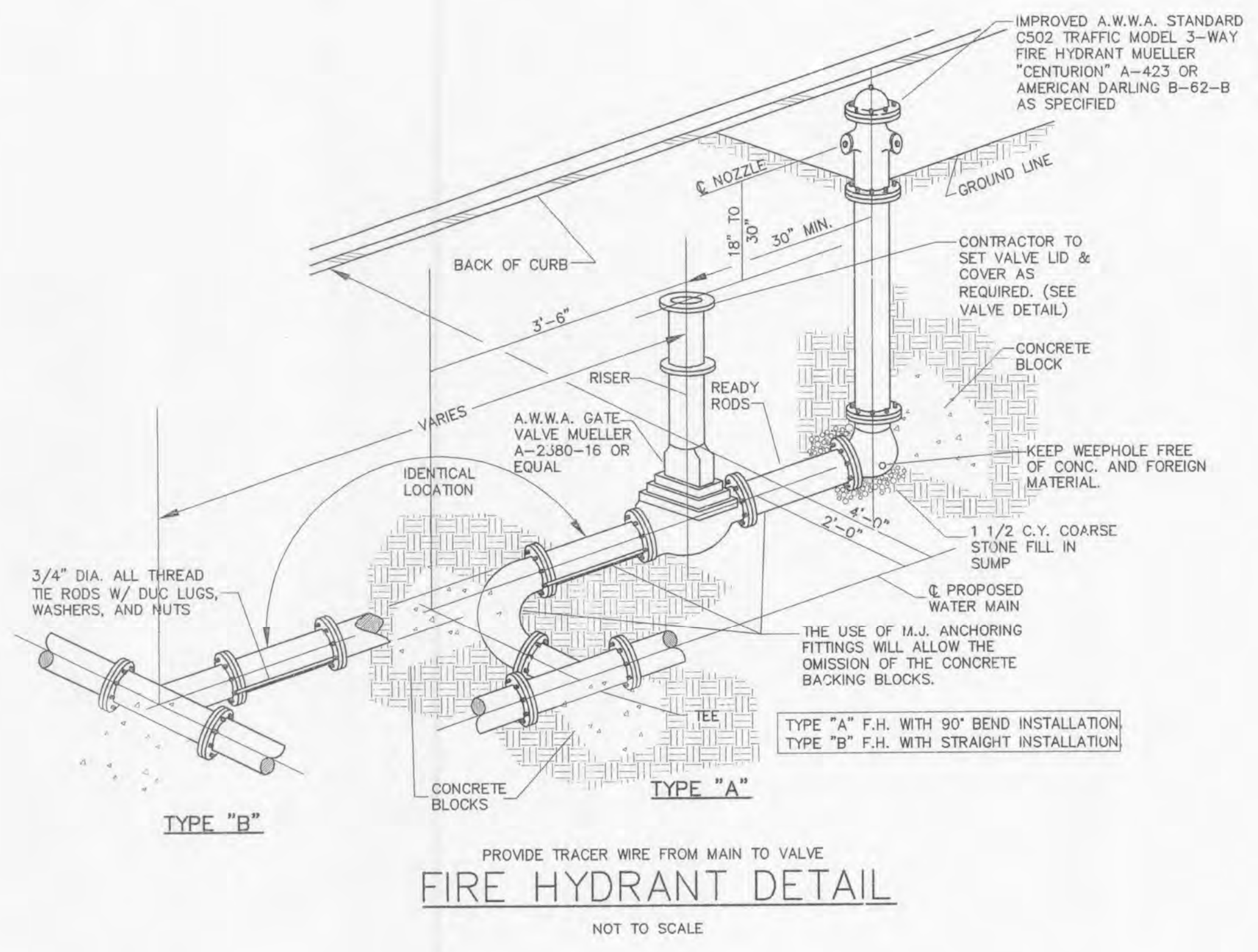
TAMPED BACKFILL SHALL BE FINELY DIVIDED JOB EXCAVATED MATERIAL FREE FROM DEBRIS, ORGANIC MATERIAL AND STONES, HAND PLACED IN UNIFORM LAYERS NOT MORE THAN 8" THICK AND TAMPED AROUND CONDUIT PIPE. GRANULAR BACKFILL MATERIAL MAY BE SUBSTITUTED FOR ALL OR PART OF TAMPED BACKFILL.

TRENCH BACKFILL SHALL BE AS REQUIRED IN THE "LAYING AND BACKFILL" SECTION OF THE DETAILED SPECIFICATIONS.

EMBEDMENT THE TYPE OF EMBEDMENT TO BE USED SHALL BE AS SPECIFIED IN THE PLANS AND SPECIFICATIONS.

TRACER WIRE REQUIRED ON ALL WATER MAINS

WATER MAIN EMBEDMENT



E:\DWG\A1300001\US\13117A1\con.dwg, DETAILS (B), 8/31/2007, 11:08:34 AM