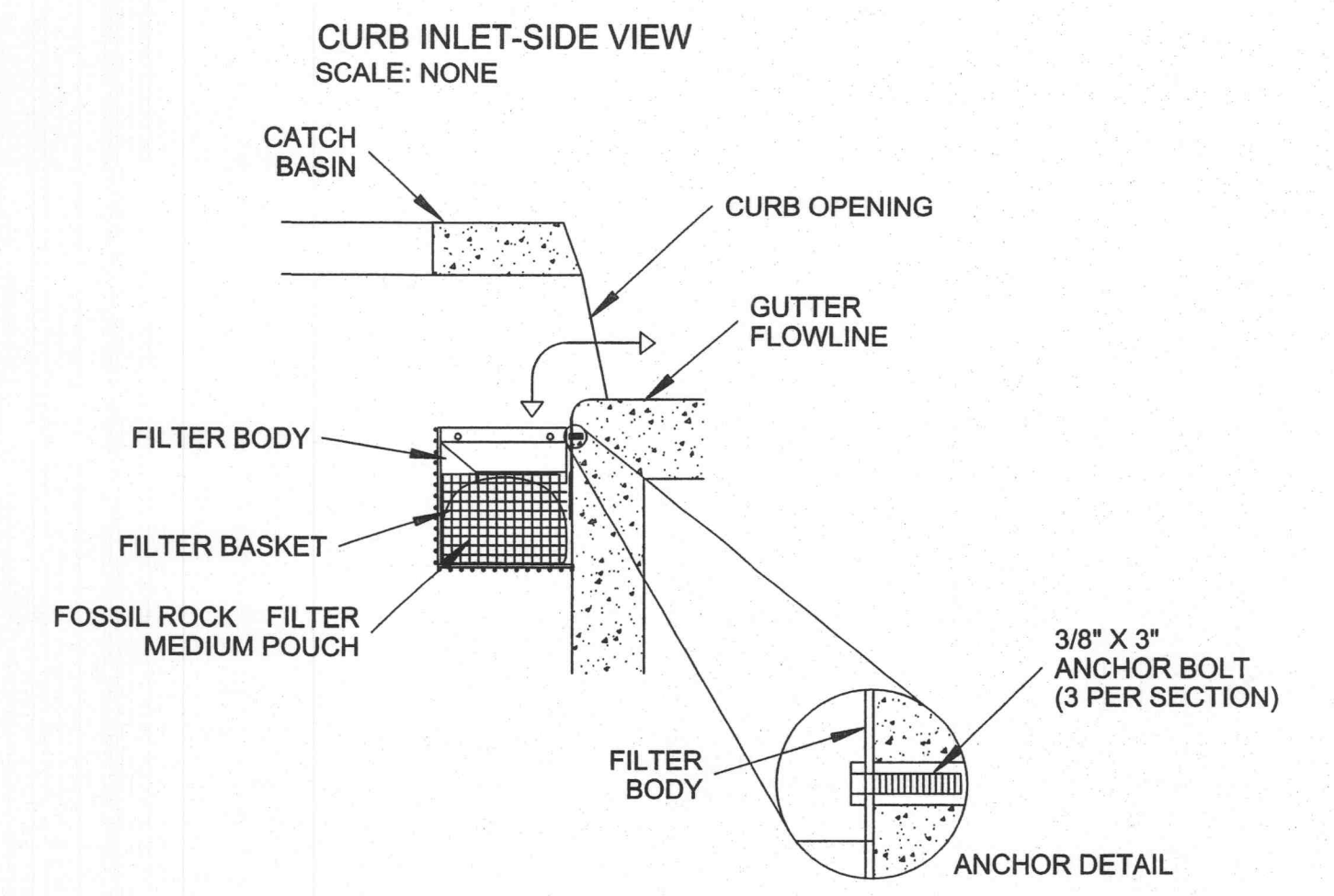


- NOTES:**
1. Flogard®+PLUS (curb mount) high capacity catch basin inserts are available in sizes to fit most industry-standard catch basin sizes and styles (see specifier chart). Refer to the Flogard®+PLUS (wall mount) insert for devices to fit non-standard or combination style catch basins.
 2. Filter insert shall have both an "initial" filtering bypass and "ultimate" high-flow bypass feature.
 3. Filter assembly shall be constructed from stainless steel (Type 304).
 4. Allow a minimum of 2" of clearance below the inlet flowline, of allow a minimum of 14" clearance from bottom of inlet pipe to top of outlet pipe for in-line installations.
 5. Filter medium shall be Fossil Rock™ installed and maintained in accordance with manufacturer recommendations.

**FLOGARD® +PLUS
 CATCH BASIN FILTER INSERT
 (Curb Mount)
 CURB INLET**

KriStar Enterprises, Inc., Santa Rosa, CA (800) 579-8819 11/05

US PATENT



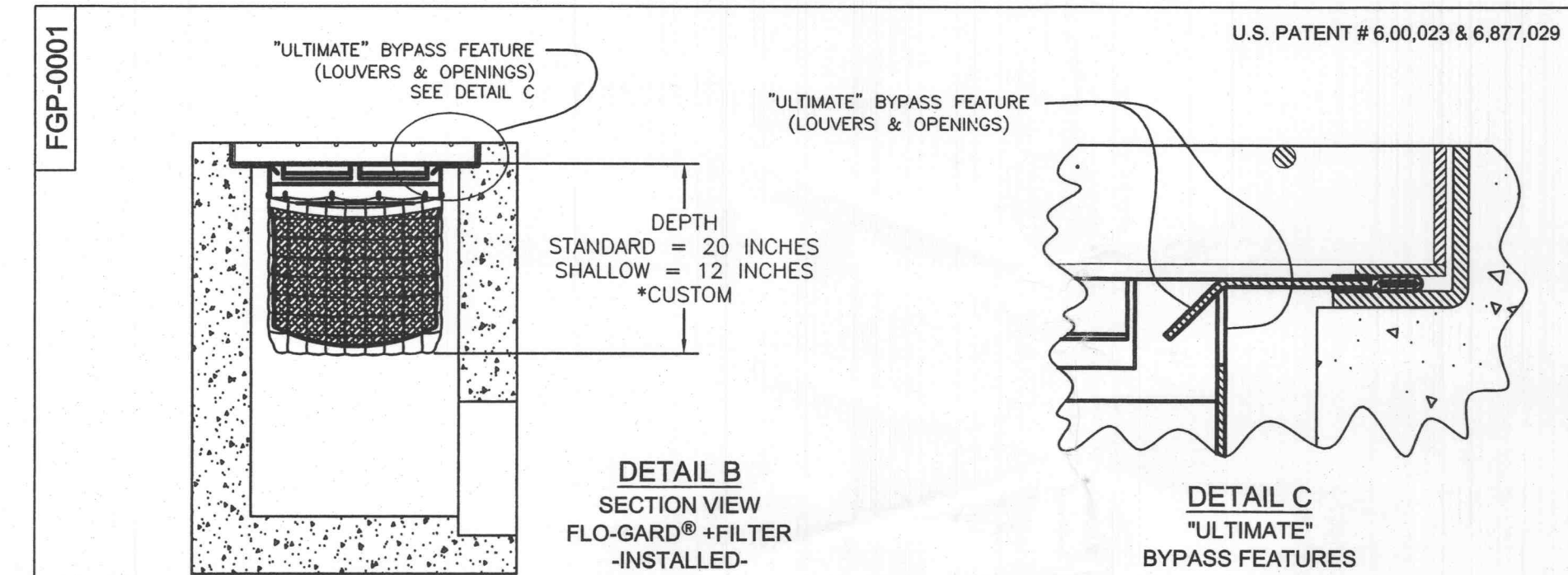
**FLOGARD +PLUS®
 CATCH BASIN FILTER INSERT
 (Curb Mount-Installation Options)
 CURB INLET**

KriStar Enterprises, Inc., Santa Rosa, CA (800) 579-8819 08/04

US PATENT

NOTE:
 USE PRODUCTS AS SHOWN OR EQUAL AS APPROVED BY THE PROJECT ENGINEER.

CATCH BASIN FILTER INSERTS
 O'FALLON P&Z # 904.01
 04/06/06



* MANY OTHER STANDARD & CUSTOM SIZES & DEPTHS AVAILABLE UPON REQUEST.

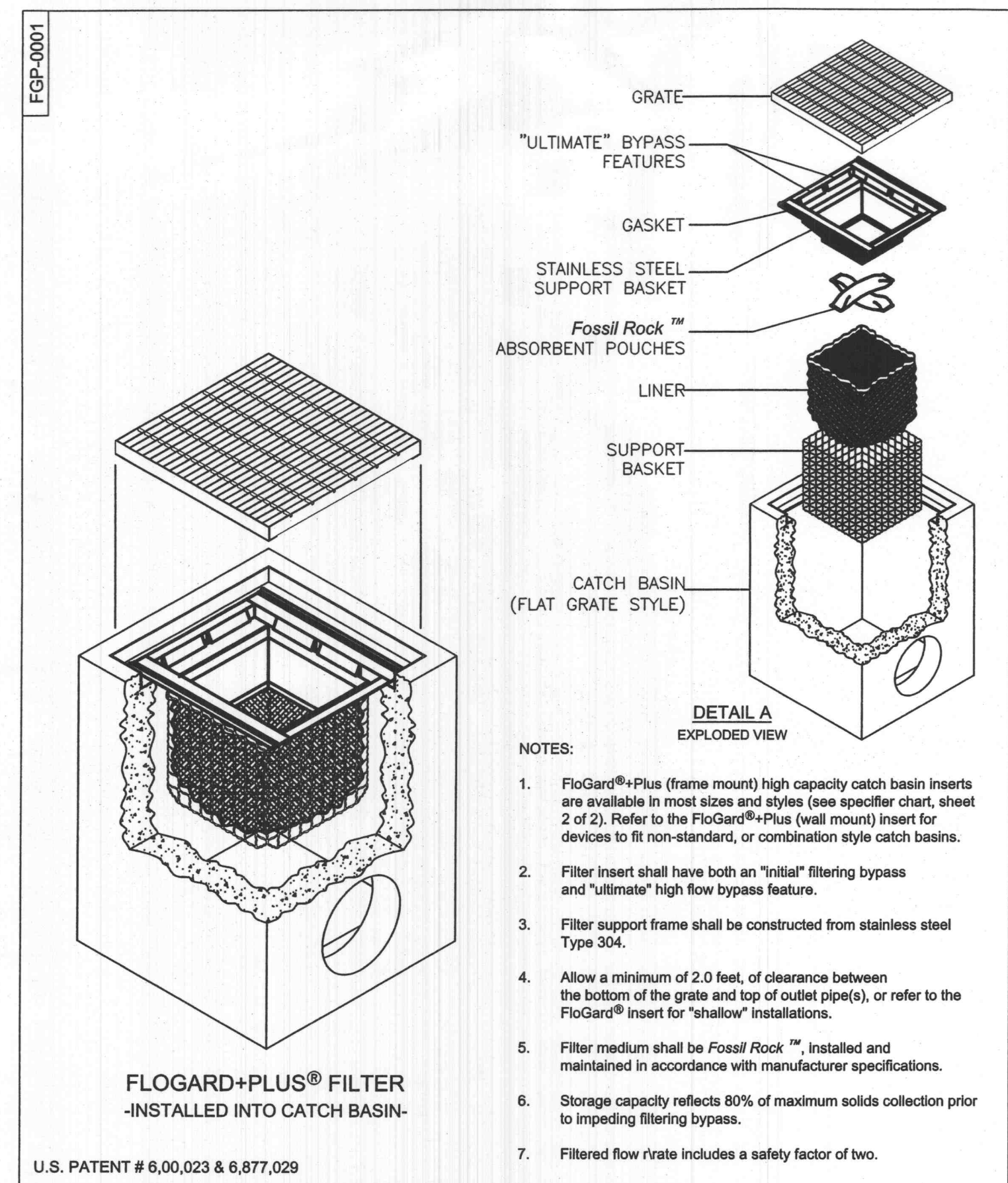
SPECIFIER CHART

MODEL NO.	STANDARD & SHALLOW DEPTH			STANDARD DEPTH			SHALLOW DEPTH		
	(Data in these columns is the same for both STANDARD & SHALLOW versions)			-20 Inches-			-12 Inches-		
STANDARD DEPTH	INLET ID Inside Dimension (Inch x Inch)	GRATE OD Outside Dimension (Inch x Inch)	TOTAL BYPASS CAPACITY (cu. ft.)	SOLIDS STORAGE CAPACITY (cu. ft.)	FILTERED FLOW (cu. ft. / sec.)	MODEL NO.	SHALLOW DEPTH	SOLIDS STORAGE CAPACITY (cu. ft.)	FILTERED FLOW (cu. ft. / sec.)
FGP-12F	12 X 12	12 X 14	2.8	0.3	0.4	FGP-12F8	.15	.25	
FGP-1530F	15 X 30	15 X 35	6.9	2.3	1.6	FGP-1530F8	1.3	.9	
FGP-16F	16 X 16	16 X 19	4.7	0.8	0.7	FGP-16F8	.45	.4	
FGP-1624F	16 X 24	16 X 26	5.0	1.5	1.2	FGP-1624F8	.85	.7	
FGP-18F	18 X 18	18 X 20	4.7	0.8	0.7	FGP-18F8	.45	.4	
FGP-1820F	18 X 19	18 X 21	5.9	2.1	1.4	FGP-1820F8	1.2	.8	
FGP-1824F	18 X 22	18 X 24	5.0	1.5	1.2	FGP-1824F8	.85	.7	
FGP-1836F	18 X 36	18 X 40	6.9	2.3	1.6	FGP-1836F8	1.3	.9	
FGP-2024F	18 X 22	20 X 24	5.9	1.2	1.0	FGP-2024F8	.7	.55	
FGP-21F	22 X 22	22 X 24	6.1	2.2	1.5	FGP-21F8	1.25	.85	
FGP-2142F	21 X 40	24 X 40	9.1	4.3	2.4	FGP-2142F8	2.45	1.35	
FGP-2148F	19 X 46	22 X 48	9.8	4.7	2.6	FGP-2148F8	2.7	1.5	
FGP-24F	24 X 24	24 X 27	6.1	2.2	1.5	FGP-24F8	1.25	.85	
FGP-2430F	24 X 30	26 X 30	7.0	2.8	1.8	FGP-2430F8	1.6	1.05	
FGP-2436F	24 X 36	24 X 40	8.0	3.4	2.0	FGP-2436F8	1.95	1.15	
FGP-2448F	24 X 48	26 X 48	9.3	4.4	2.4	FGP-2448F8	2.5	1.35	
FGP-28F	28 X 28	32 X 32	6.3	2.2	1.5	FGP-28F8	1.25	.85	
FGP-2440F	24 X 36	28 X 40	8.3	4.2	2.3	FGP-2440F8	2.4	1.3	
FGP-30F	30 X 30	30 X 34	8.1	3.6	2.0	FGP-30F8	2.05	1.15	
FGP-36F	36 X 36	36 X 40	9.1	4.6	2.4	FGP-36F8	2.65	1.35	
FGP-3648F	36 X 48	40 X 48	11.5	6.8	3.2	FGP-3648F8	3.9	1.85	
FGP-48F	48 X 48	48 X 54	13.2	9.5	3.9	FGP-48F8	5.45	2.25	
FGP-SD24F	24 X 24	28 X 28	6.1	2.2	1.5	FGP-SD24F8	1.25	.85	
FGP-1836FGO	18 X 36	20 X 40	6.9	2.3	1.6	FGP-1836FGO	1.3	.9	
FGP-2436FGO	20 X 36	24 X 40	8.0	3.4	2.0	FGP-2436FGO	1.95	1.15	
FGP-48FGO	18 X 48	20 X 54	6.3	2.2	1.5	FGP-48FGO	1.25	.85	

TITLE **FLOGARD® US** CATCH BASIN FILTER INSERT (Frame Mount) FLAT-GRATED-INLET

KriStar Enterprises, Inc.
 P.O. Box 6419, Santa Rosa, CA 95406
 Ph: 800.579.8819, Fax: 707.524.8186, www.kristar.com

DRAWING NO. FGP-0001 REV. A EDD 0001 DATE JPR 09/01/06 SHEET 2 OF 2



- NOTES:**
1. Flogard®+Plus (frame mount) high capacity catch basin inserts are available in most sizes and styles (see specifier chart, sheet 2 of 2). Refer to the Flogard®+Plus (wall mount) insert for devices to fit non-standard, or combination style catch basins.
 2. Filter insert shall have both an "initial" filtering bypass and "ultimate" high flow bypass feature.
 3. Filter support frame shall be constructed from stainless steel Type 304.
 4. Allow a minimum of 2.0 feet, of clearance between the bottom of the grate and top of outlet pipe(s), or refer to the Flogard® insert for "shallow" installations.
 5. Filter medium shall be Fossil Rock™ installed and maintained in accordance with manufacturer specifications.
 6. Storage capacity reflects 80% of maximum solids collection prior to impeding filtering bypass.
 7. Filtered flow rate includes a safety factor of two.

U.S. PATENT # 6,00,023 & 6,877,029

TITLE **FLOGARD® US** CATCH BASIN FILTER INSERT (Frame Mount) FLAT-GRATED-INLET

KriStar Enterprises, Inc.
 P.O. Box 6419, Santa Rosa, CA 95406
 Ph: 800.579.8819, Fax: 707.524.8186, www.kristar.com

DRAWING NO. FGP-0001 REV. A EDD 0001 DATE JPR 09/01/06 SHEET 1 OF 2

O'FALLON P&Z # 904.01
 04/06/06

ENGINEERS CERTIFICATION:
 The following applies to ALL sheets and documents involved in the preparation of the plans and documents for this project. The responsibility for Professional Engineering liability on this project is limited to the set of plans displaying the signature and an original stamped seal of the Engineer on each sheet. ALL responsibility is Disclaimed until ALL review agency approvals are granted, for all other plan sheets issued prior to this issue date; for this set when another set is issued after this date; if the sheets are used individually instead of a set. This applies for ALL sheets and documents involved in this project whether this certification appears on it or not. Copyright. All Rights Reserved.

ZAVRADINOS & ASSOCIATES, INC. DBA
 ZAVRADINOS ENGINEERING & SURVEYING

STEVEN W. POLK
 NUMBER PE-18668
 DATE 04/06/06