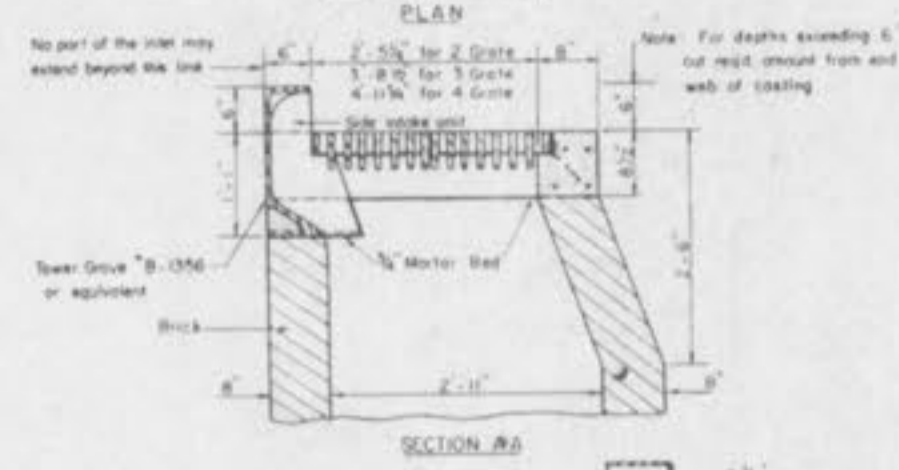
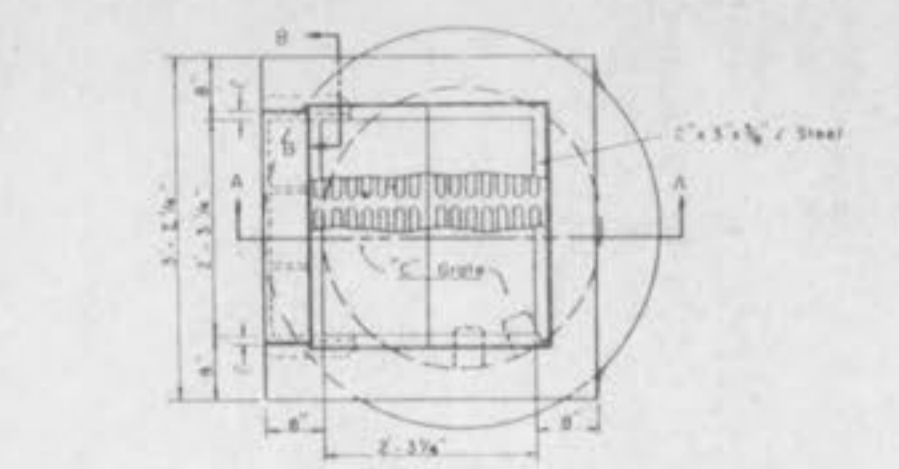
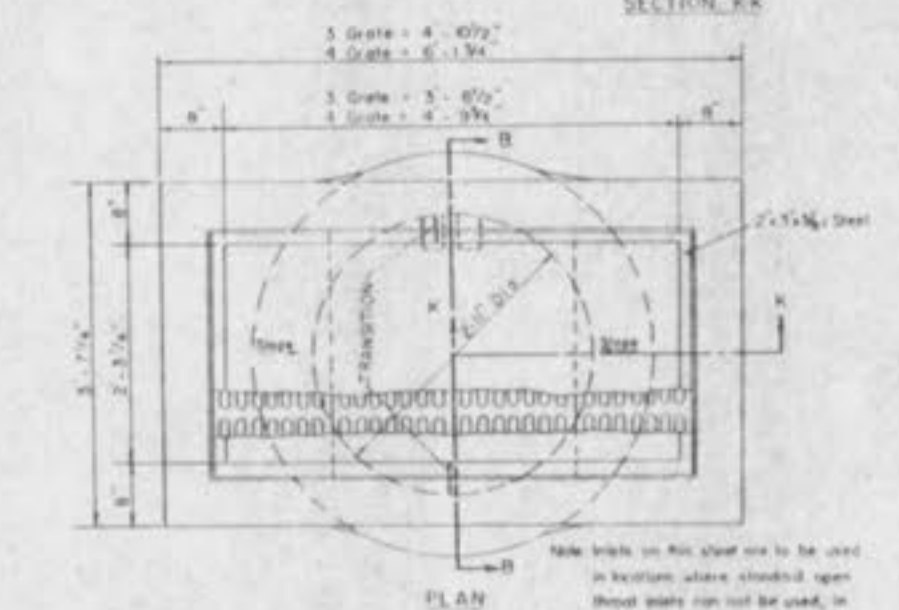
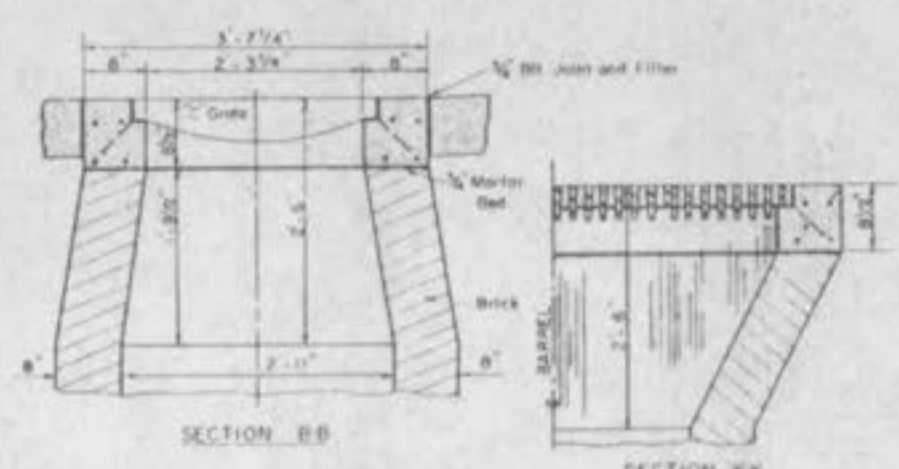


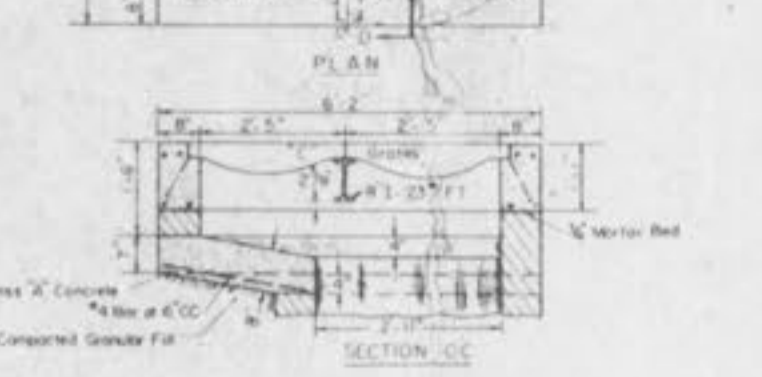
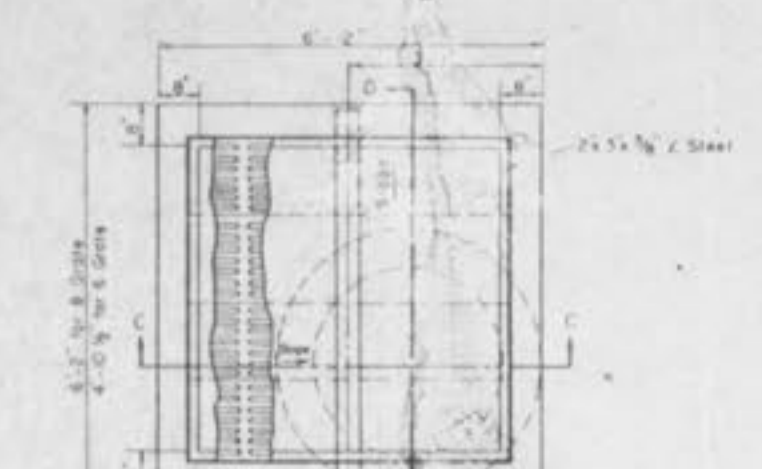
2 GRATE INLET



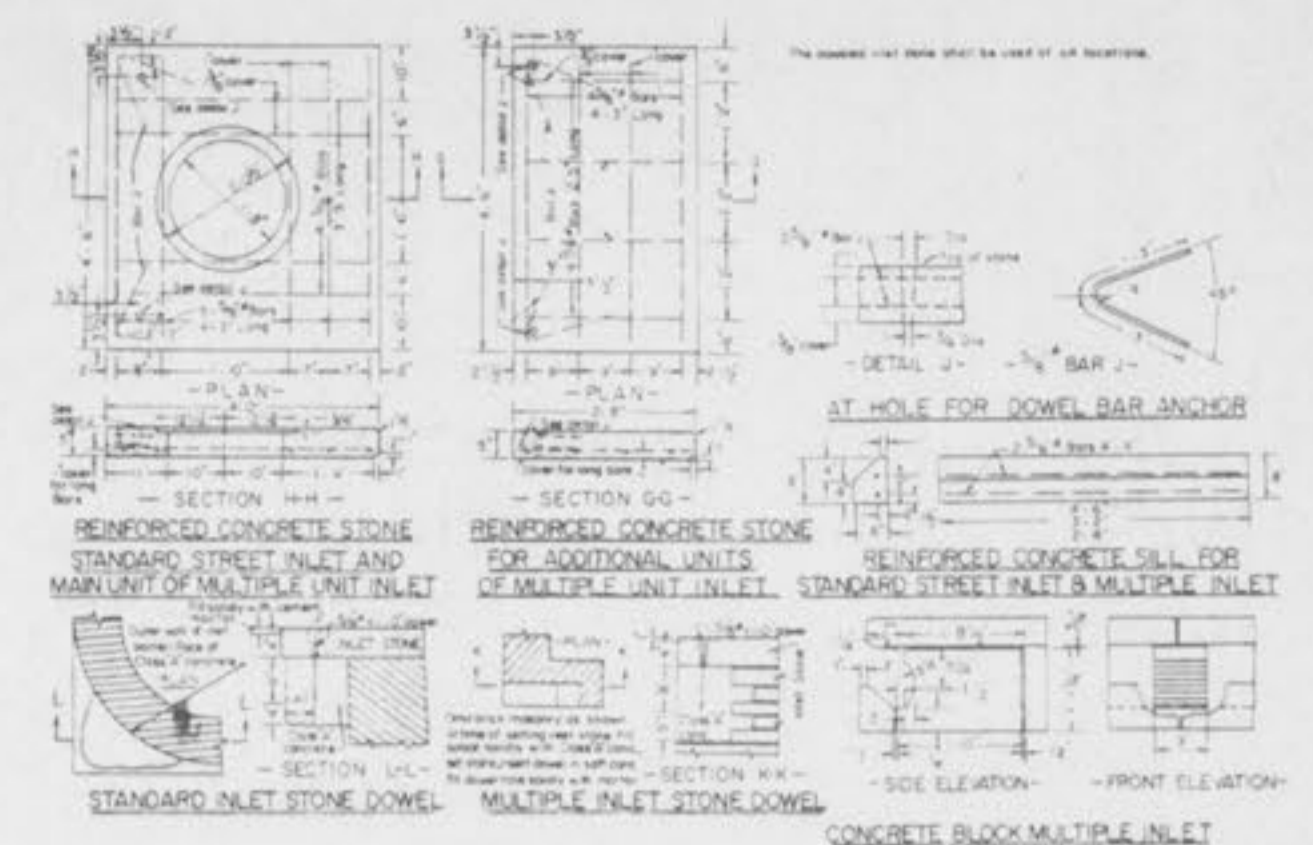
2 GRATE INLET WITH  
SIDE INTAKE UNIT



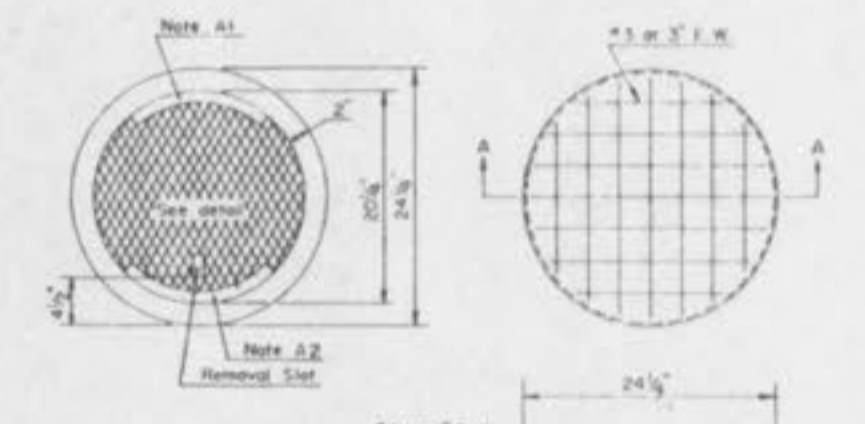
3/4 GRATE INLET



6/8 GRATE INLET

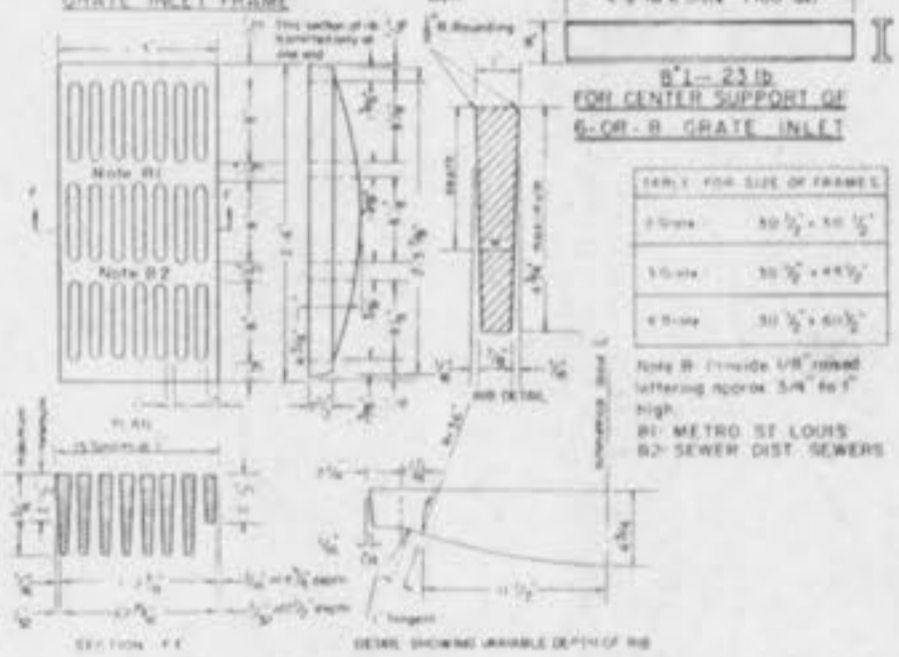
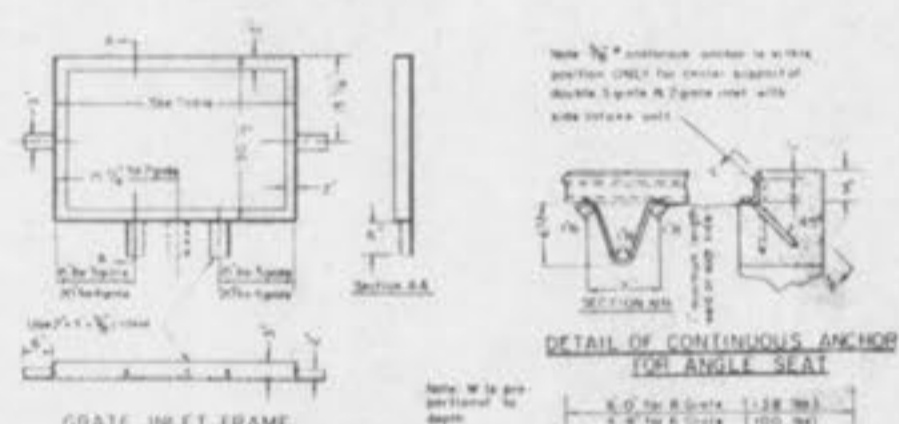


STANDARD INLET STONE  
BLOCKS &  
DESIGN DETAILS

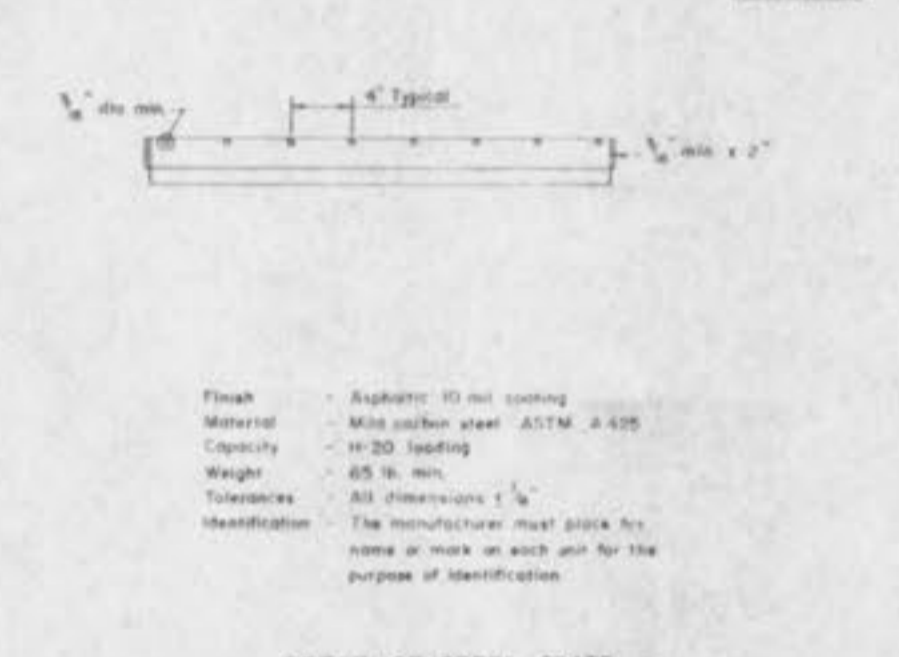
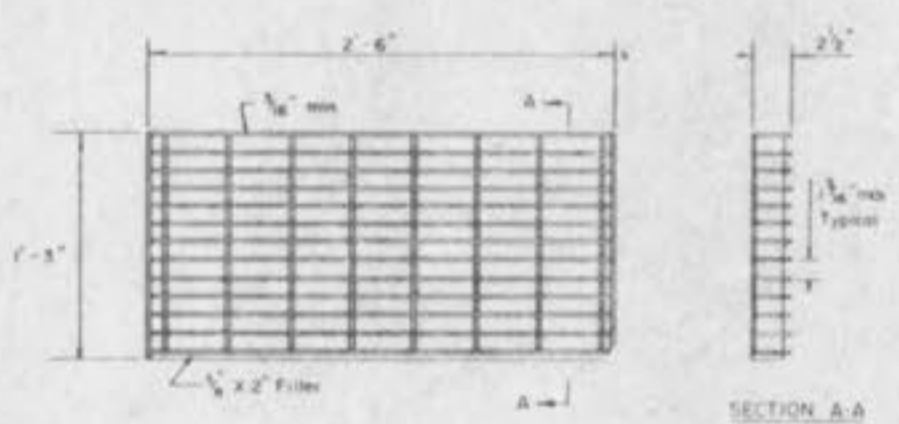


STANDARD INLET STONE MUST BE  
MODIFIED TO RECEIVE CONC COVER

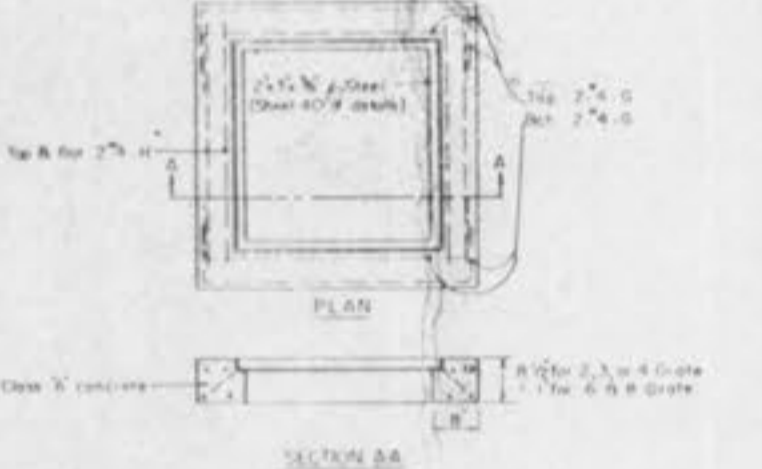
PRE-CAST CONCRETE  
INLET COVER



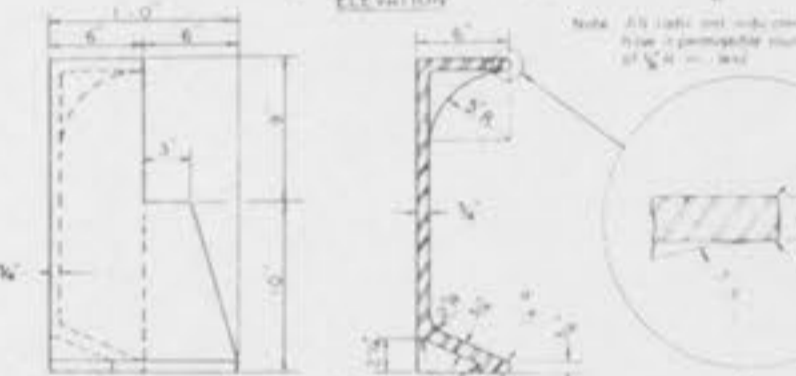
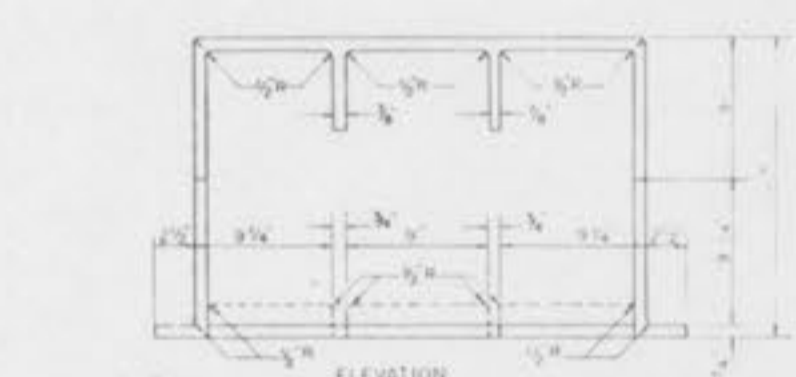
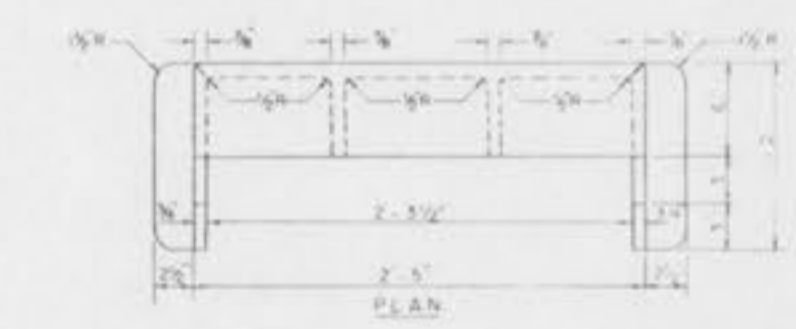
DETAILS OF INLET  
FRAME AND GRATES



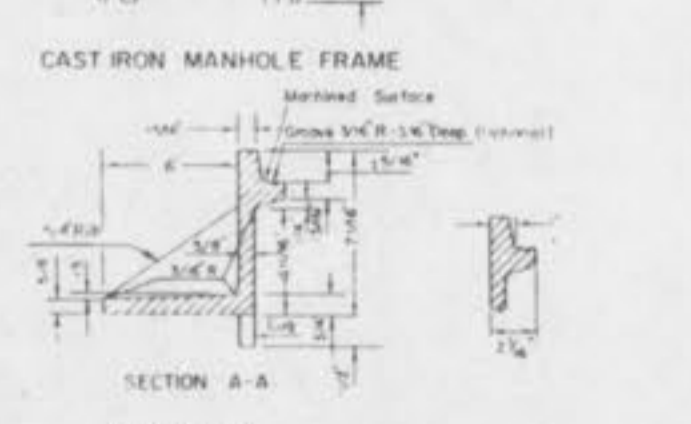
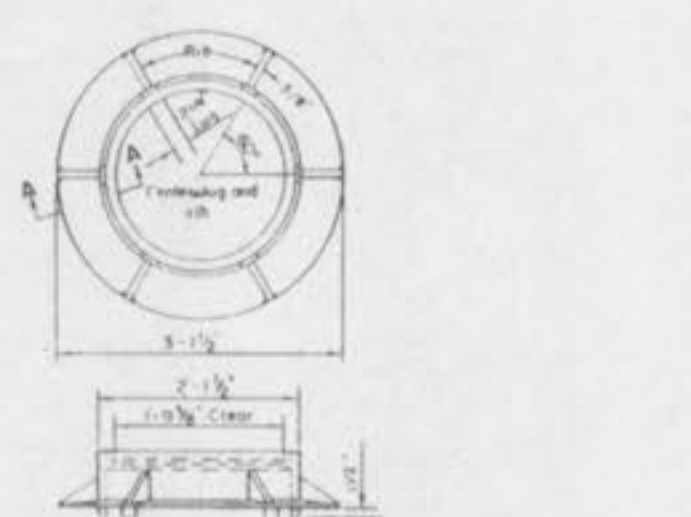
CALL	USE	Ø	Straight Bars
G-1	2, 3 or 4 Grate	3'-4"	
G-2	6/8 B Grate	5'-10"	
H-2	2 Grate	3'-6"	
H-3	3/4 B Grate	4'-9"	
H-4	4/8 B Grate	6'-0"	



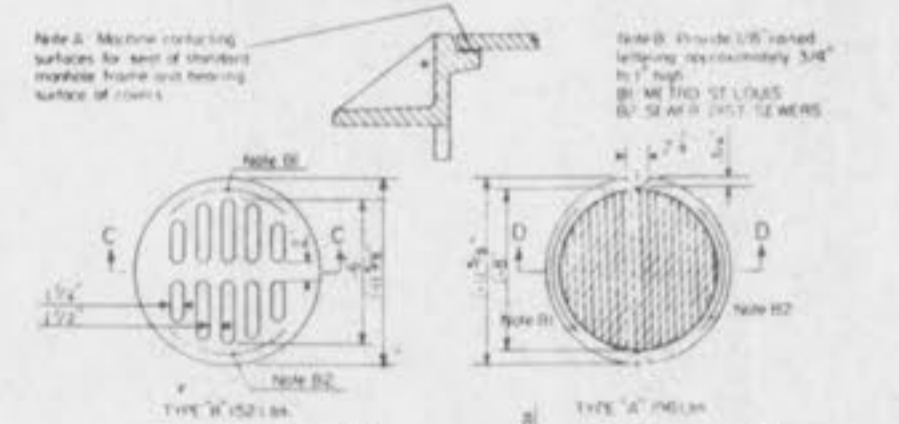
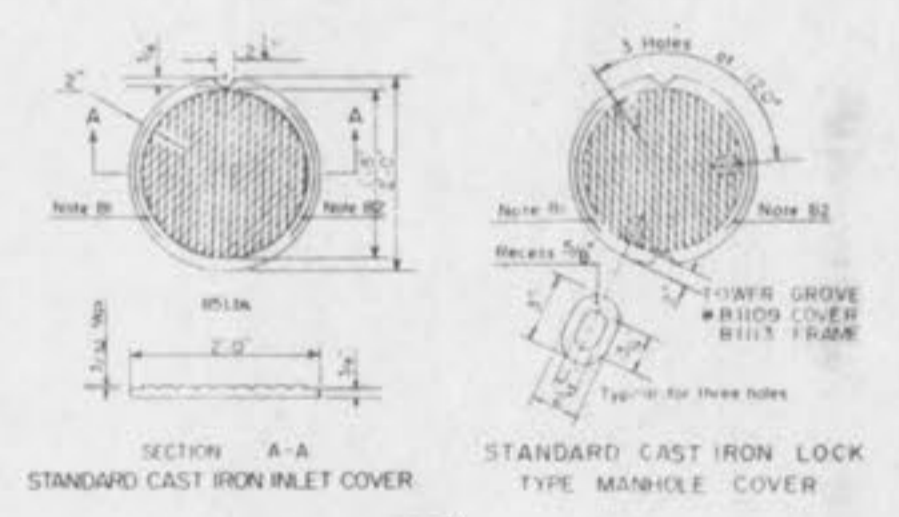
STEEL REQUIREMENTS FOR  
GRATE INLET SEAT



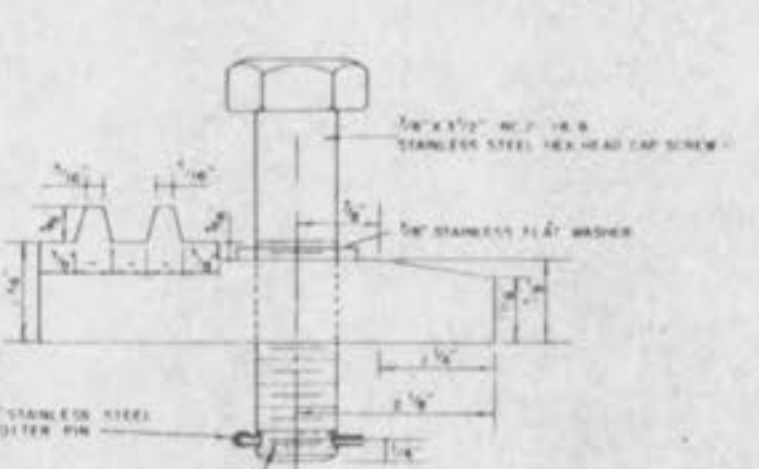
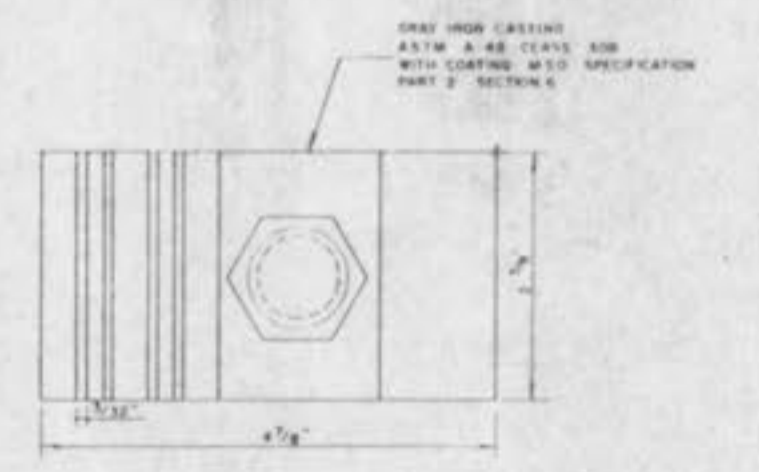
CAST IRON SIDE INTAKE  
UNIT FOR GRATED INLETS  
249 LBS



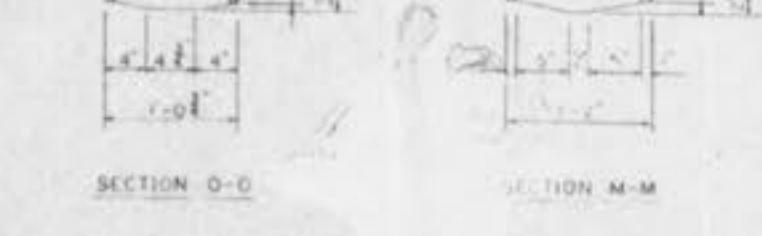
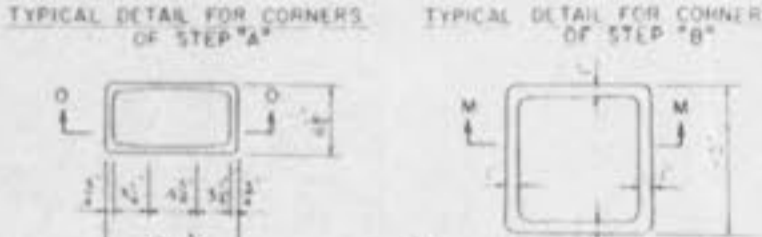
CAST IRON MANHOLE  
FRAME



CAST IRON COVERS  
MANHOLES AND INLETS



LOCK BLOCK FOR  
STANDARD CAST IRON LOCK  
TYPE MANHOLE COVER



CAST IRON MANHOLE STEP  
TYPE 'A'  
(18 lbs)

CAST IRON SHAFT STEP  
TYPE 'B'  
(18 lbs)

CAST IRON STEPS