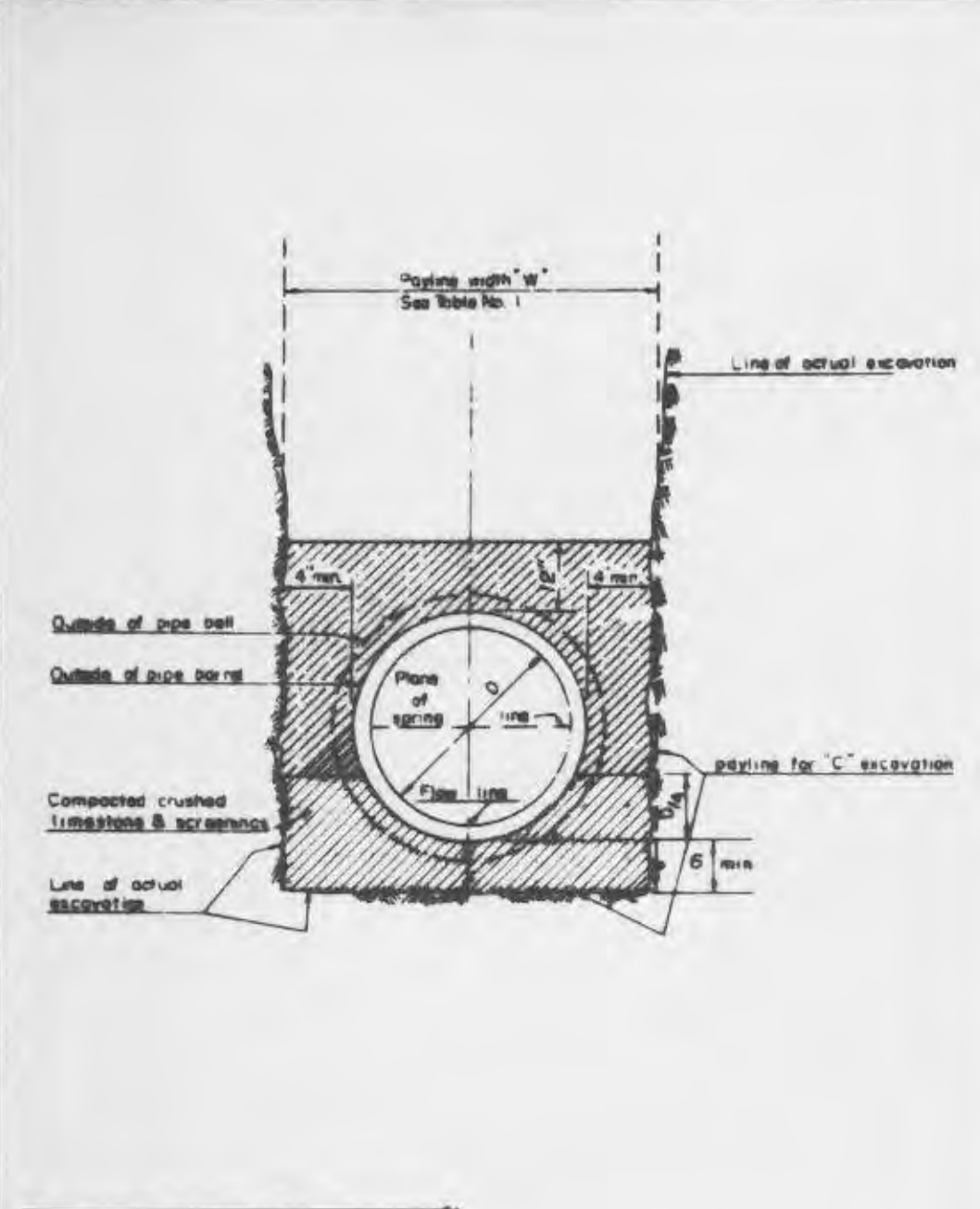
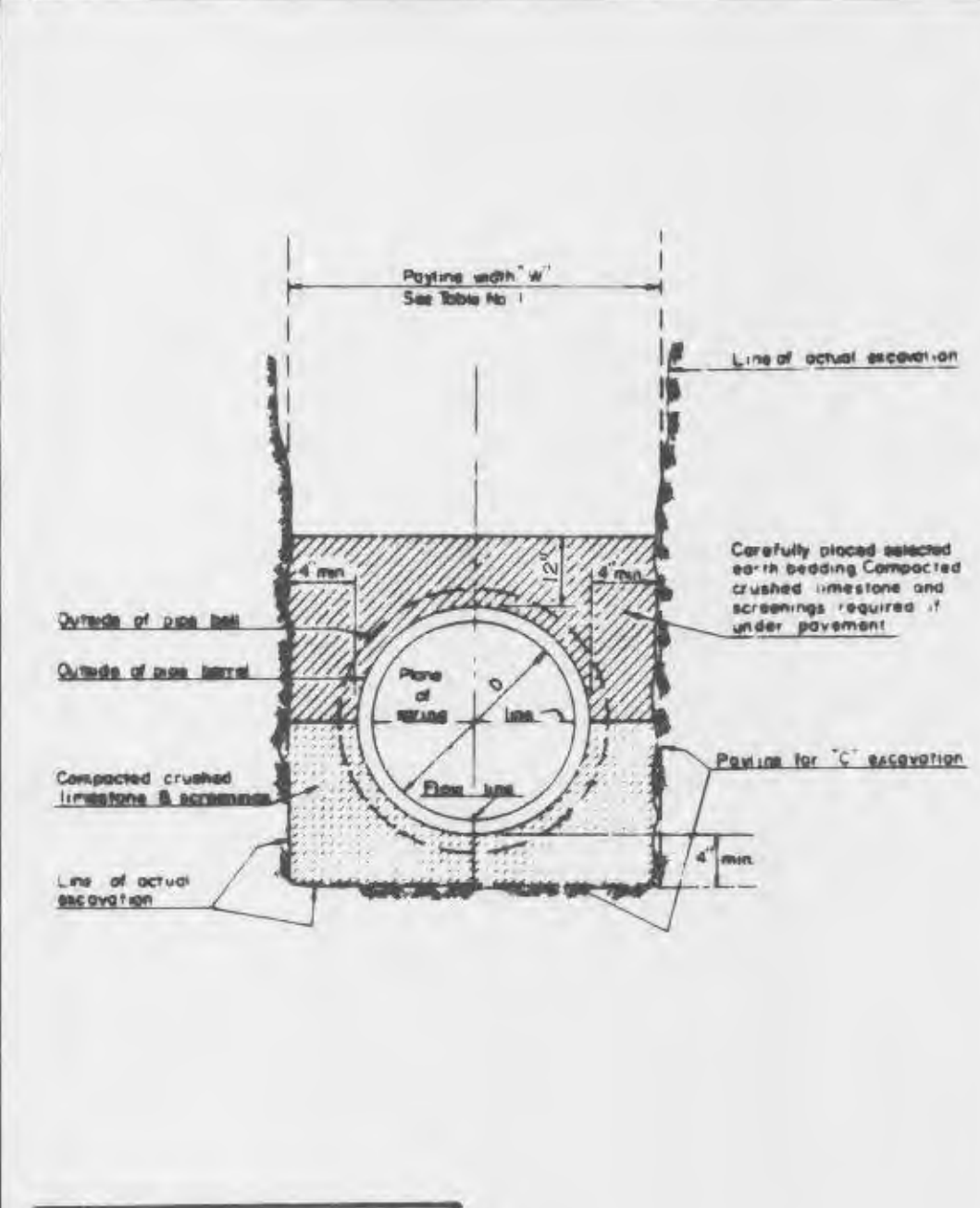


ROUND PIPE			HORIZONTAL ELLIPTICAL PIPE		
Inside Diameter of Pipe (Inches)	"w" Payline Width of Trench (Inches)	"w" Payline Width of Trench (Feet)	Inside Dimensions of Pipe (Inches)	"w" Payline Width of Trench (Inches)	"w" Payline Width of Trench (Feet)
4	26	2.33			
6	26	2.33			
8	26	2.33			
10	26	2.33			
12	26	2.33			
16	32	2.67			
18	35	2.92	14 x 23	41	3.42
21	39	3.25			
24	42	3.50	19 x 30	49	4.08
27	45	3.75	22 x 34	53	4.42
30	49	4.08	24 x 38	58	4.85
33	53	4.42	27 x 42	62	5.17
36	56	4.67	29 x 45	66	5.50
39	63	5.25	32 x 49	71	5.92
42	67	5.63	34 x 53	75	6.25
48	73	6.25	38 x 60	83	6.92
54	77	6.42	43 x 68	92	7.67
60	84	7.00	48 x 76	100	8.42
66	91	7.58	53 x 83	109	9.08
72	98	8.17	58 x 91	118	9.83
78	105	8.75	63 x 98	126	10.50
84	112	9.33	68 x 106	135	11.25
90	119	9.92	72 x 113	143	11.82
96	126	10.50	77 x 121	152	12.67
102	133	11.08	82 x 128	160	13.33
108	140	11.67	87 x 136	168	14.00
114	147	12.25	92 x 143	176	14.67
120	154	12.83	97 x 151	185	15.42
126	161	13.42			
132	168	14.00	106 x 166	202	16.83
144	182	15.17	116 x 180	218	18.17

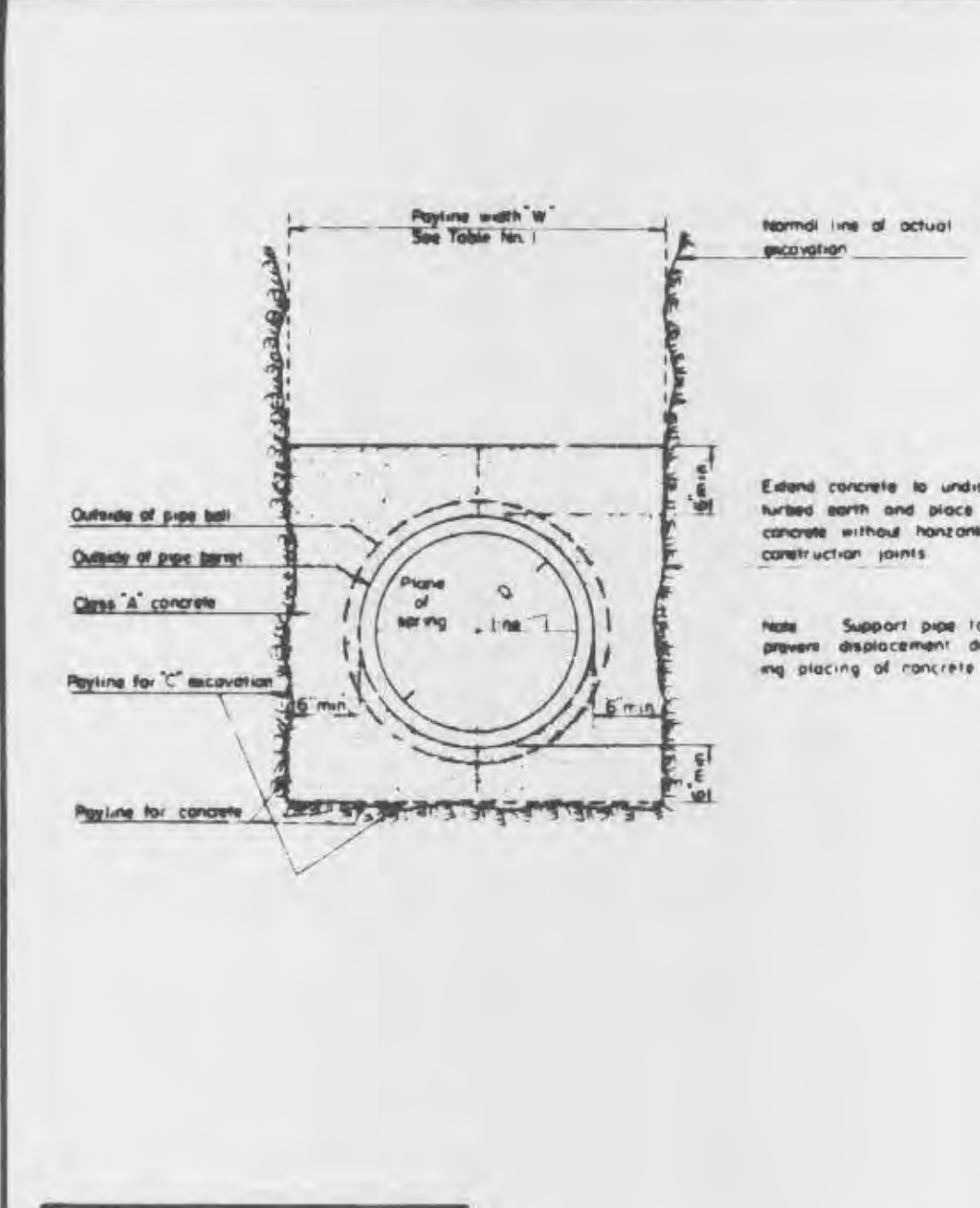
TABLE NO. 1
PAYLINE WIDTHS OF TRENCH AND PAY QUANTITIES OF CONCRETE



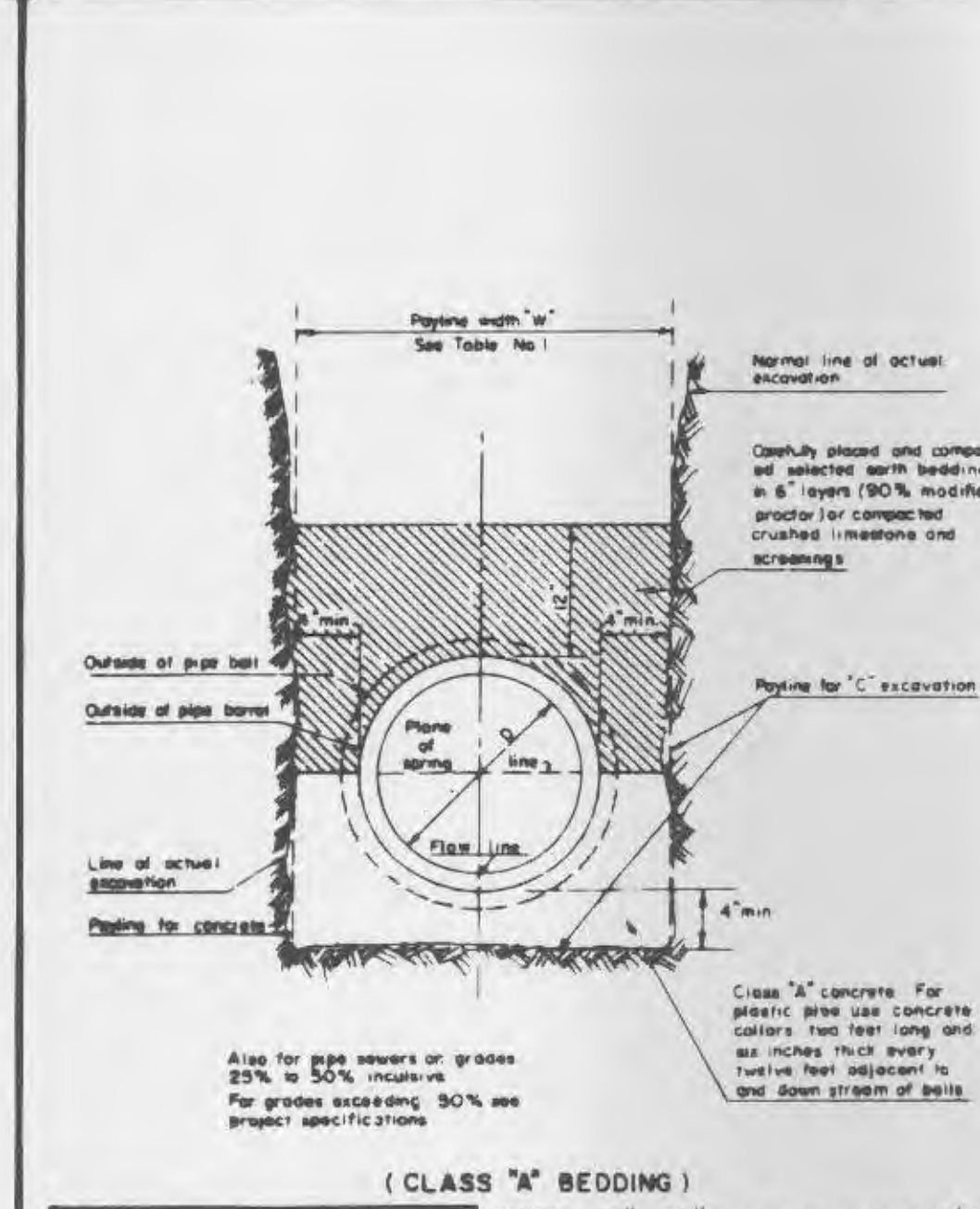
PIPE BEDDING CLASS "C"
(FOR ALL PIPE EXCEPT REINFORCED CONCRETE PIPE)



PIPE BEDDING CLASS "C"
(MODIFIED FOR REINFORCED CONCRETE PIPE)



SANITARY SEWER
CONCRETE ENCASEMENT

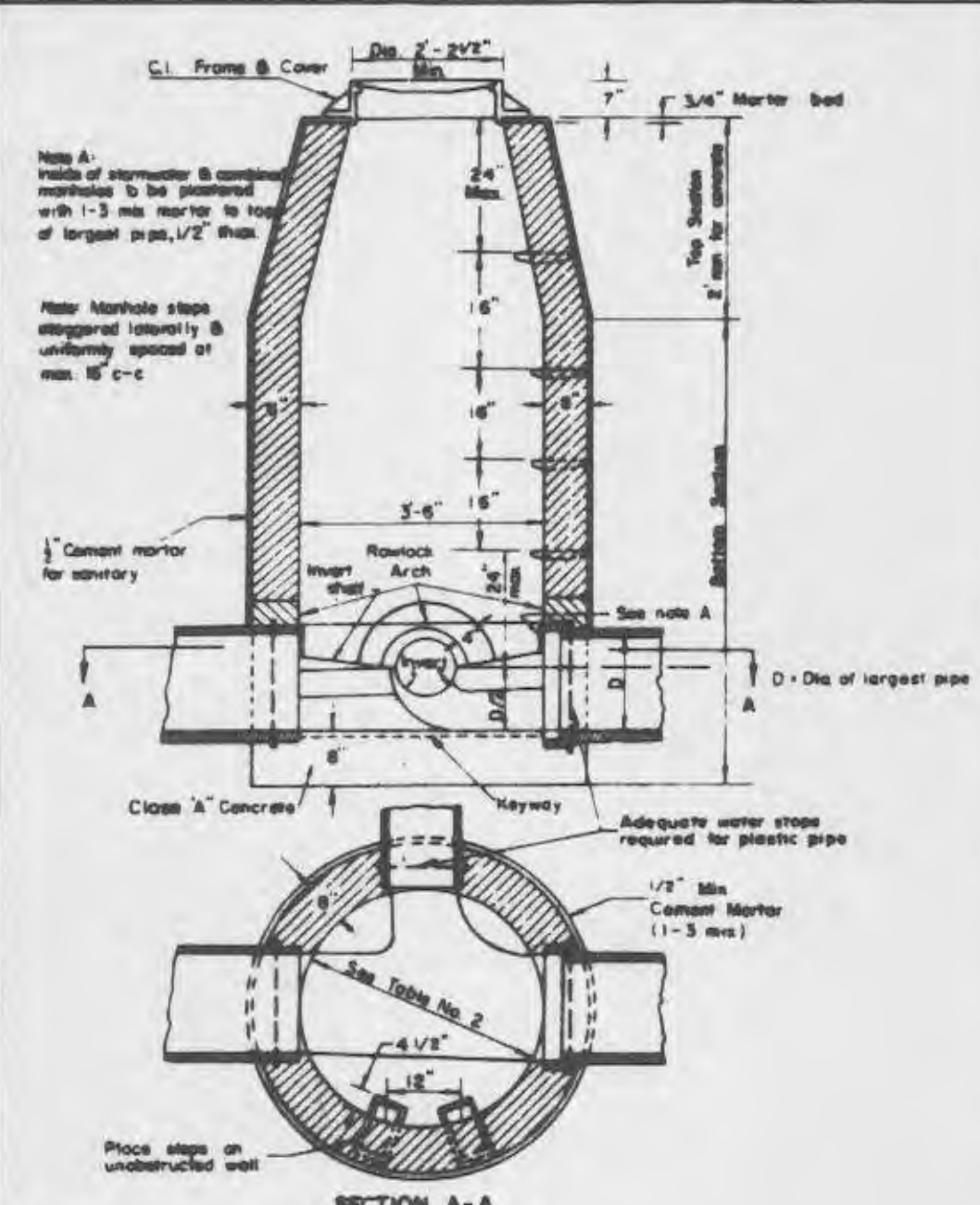


STORM SEWER
CONCRETE CRADLE

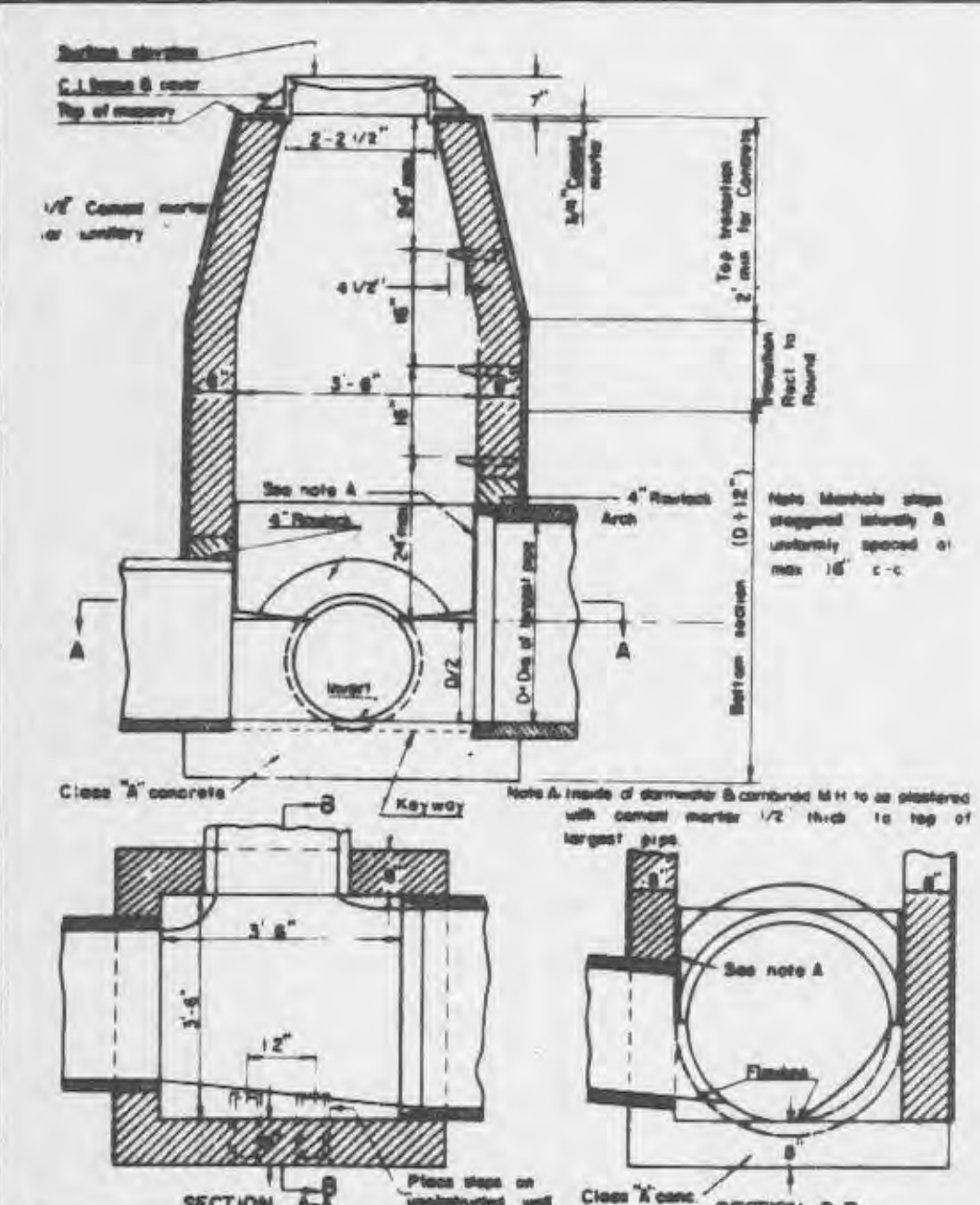
TABLE NO. 2
STANDARD MANHOLE DIMENSIONS

Section of Manhole	Dimension
Top Transition	Upper: 2'-2 1/2" Dia. Lower: 3'-6" Dia.
Bottom Section	8" thru 24" Dia. Pipe: 3'-6" Dia. 27" thru 36" Dia. Pipe: 3'-6" Square

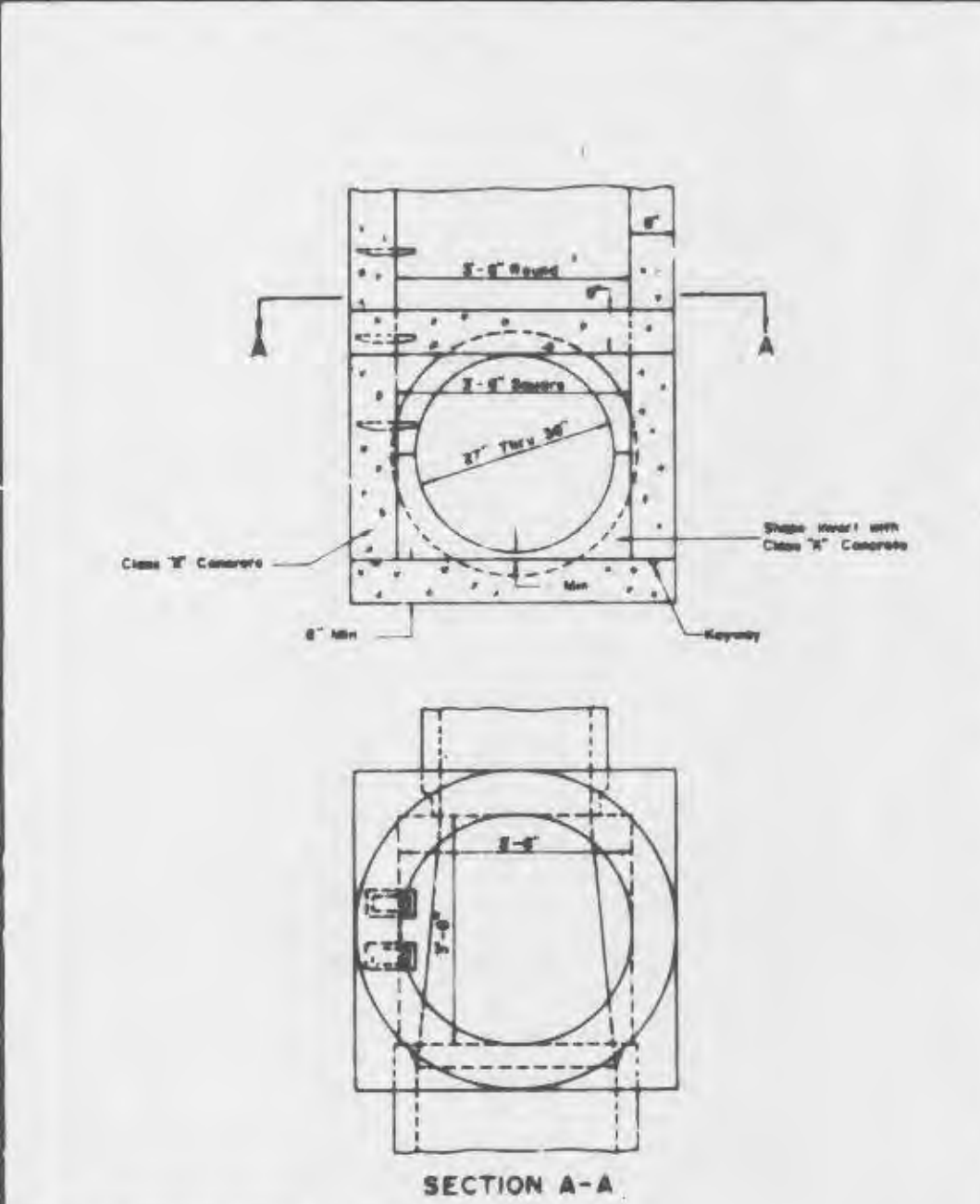
TABLE NO. 2
STANDARD MANHOLE DIMENSIONS



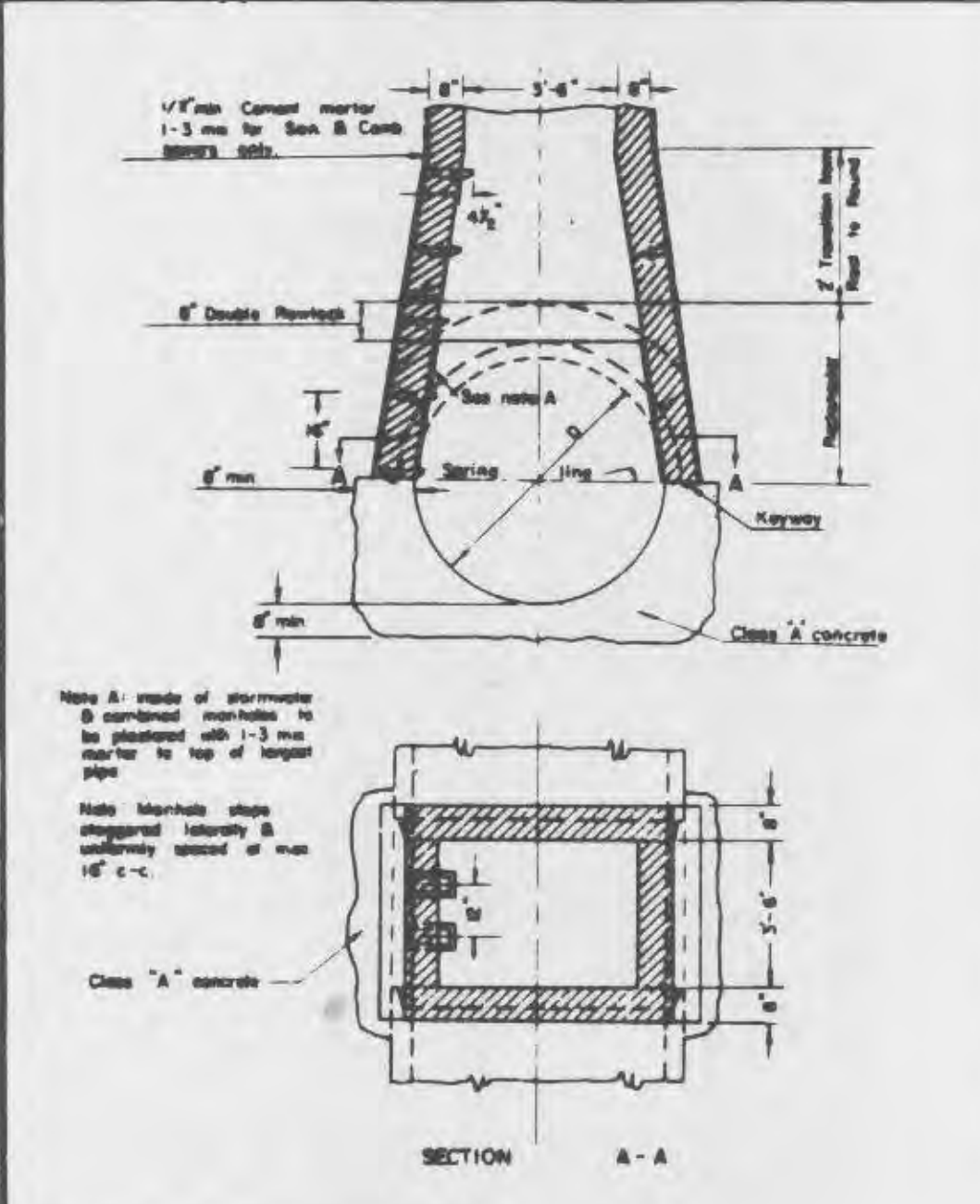
LINE MANHOLE
PIPE SEWERS 8"-24" DIA.



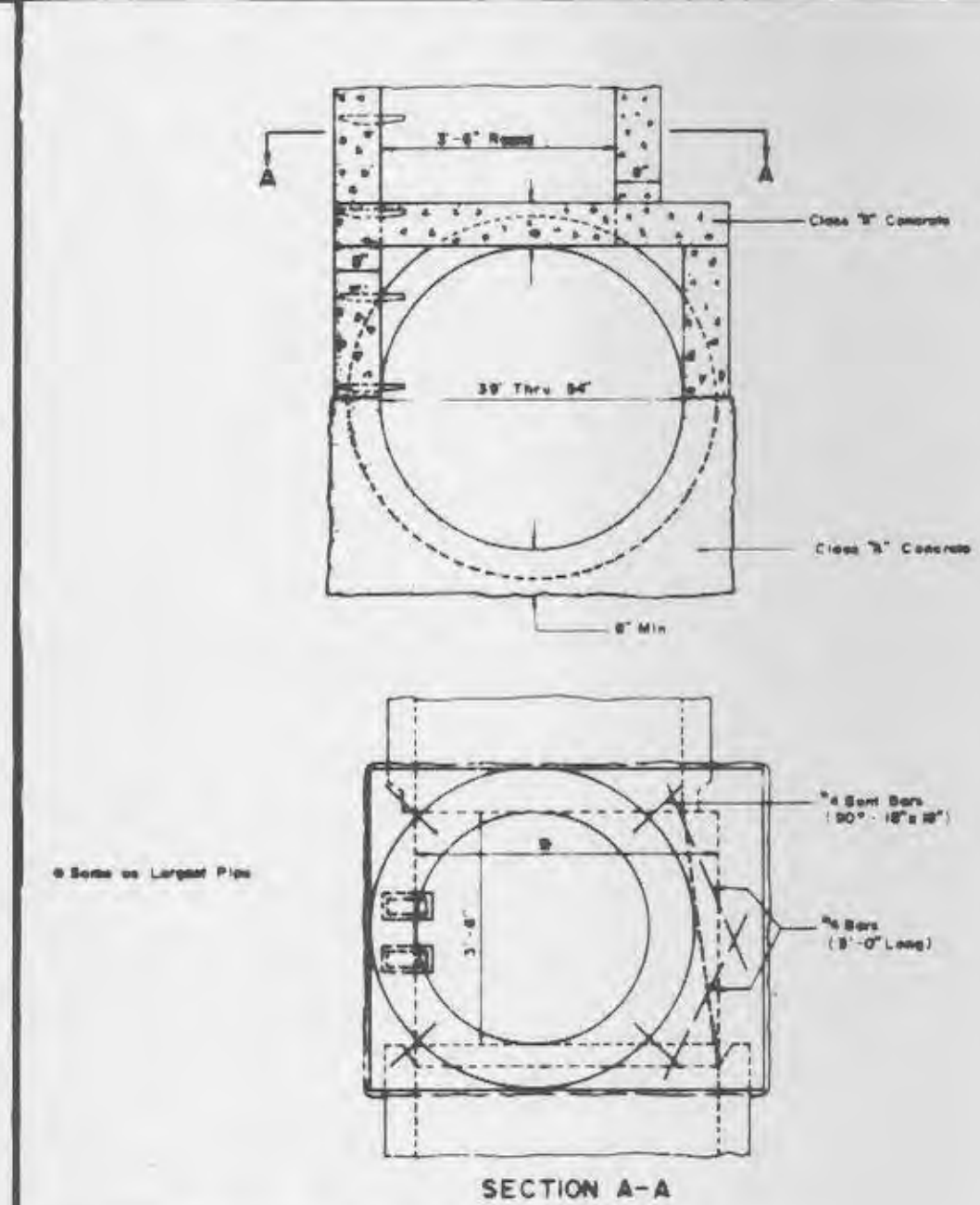
TYPICAL LINE MANHOLE
ON PIPE SEWER 27" THRU 36" IN DIAMETER



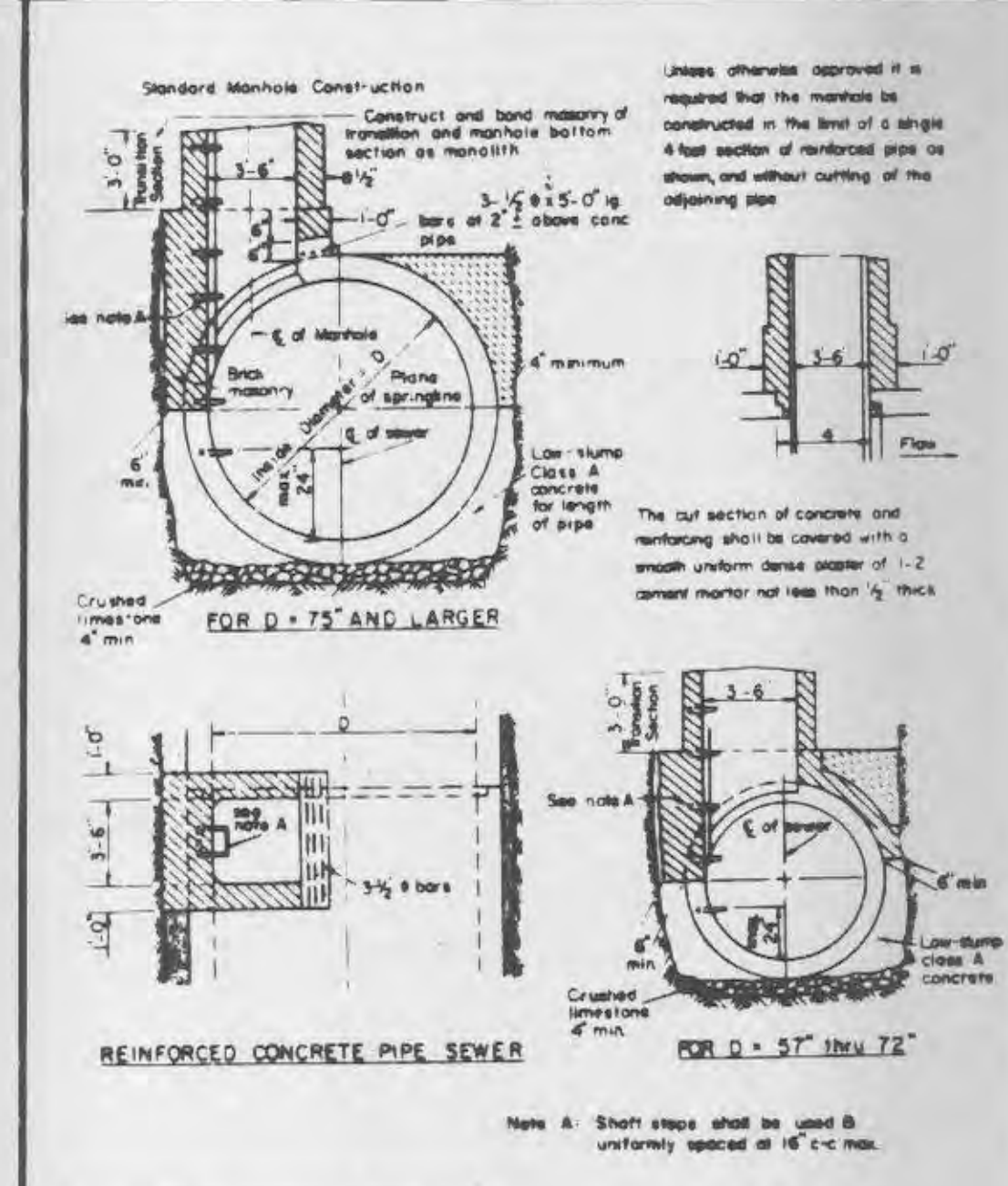
MANHOLE ON PIPE SEWER
27" THRU 36" (ALTERNATE)



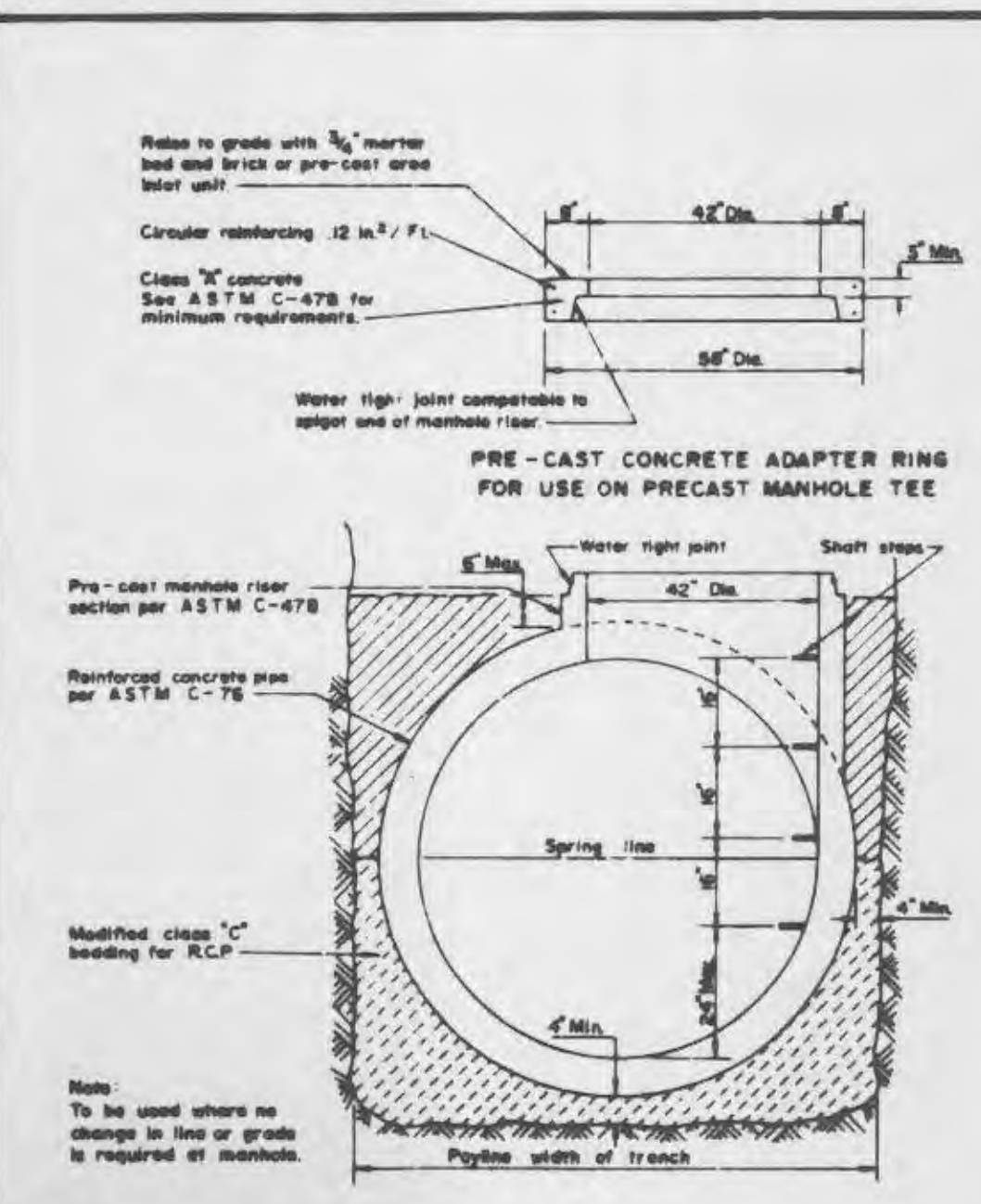
MANHOLE ON CONCRETE PIPE
SEWERS 36" THRU 54" DIAMETER



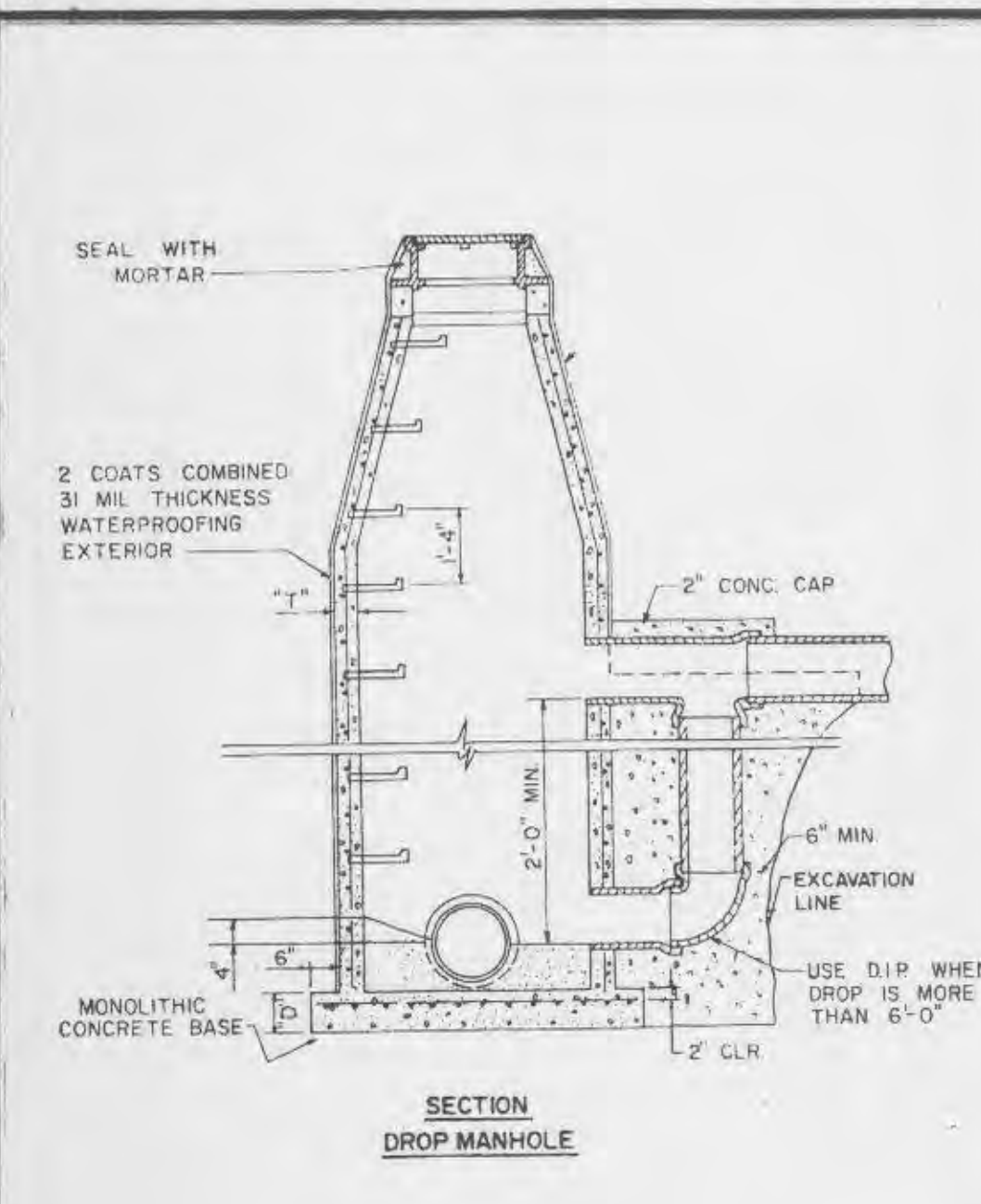
MANHOLE ON CONC PIPE
36" THRU 54" (ALTERNATE)



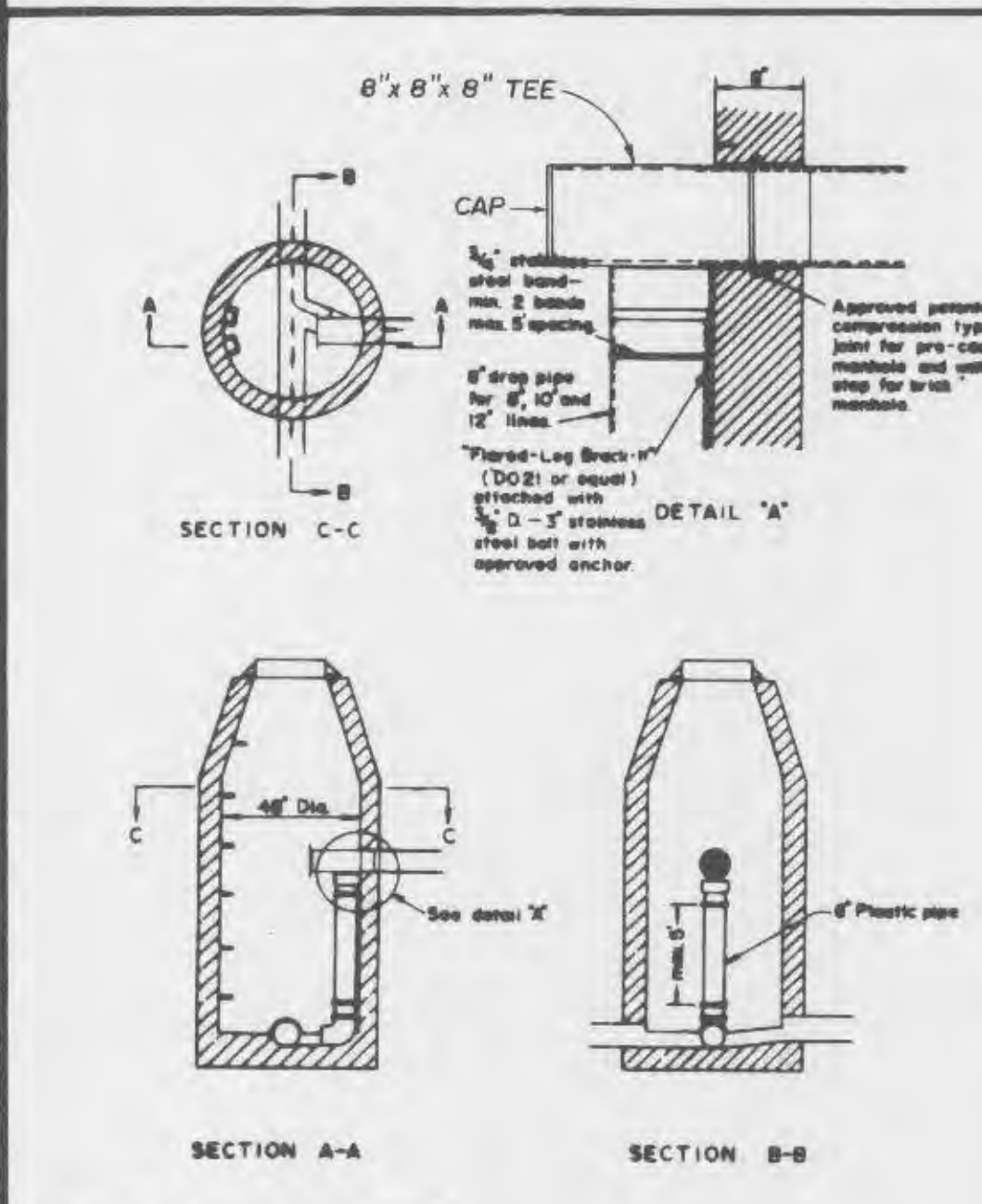
TYPICAL MANHOLE BASE
REINFORCED CONCRETE PIPE
SEWERS 57" AND LARGER
IN DIAMETER



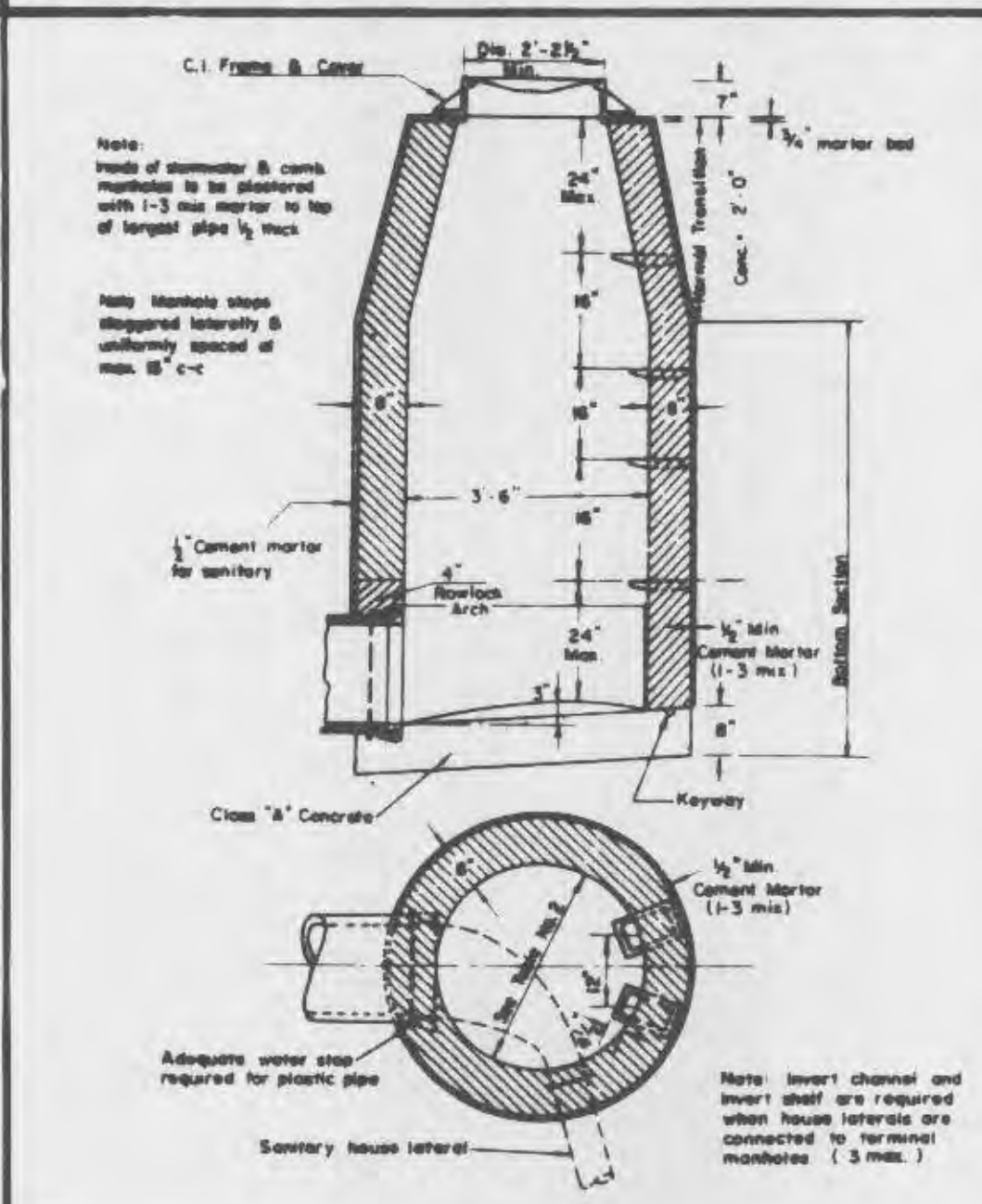
TYPICAL PRE-CAST M.H. TEE
FOR REINFORCED CONCRETE
PIPE SEWERS 48" AND
LARGER IN DIAMETER



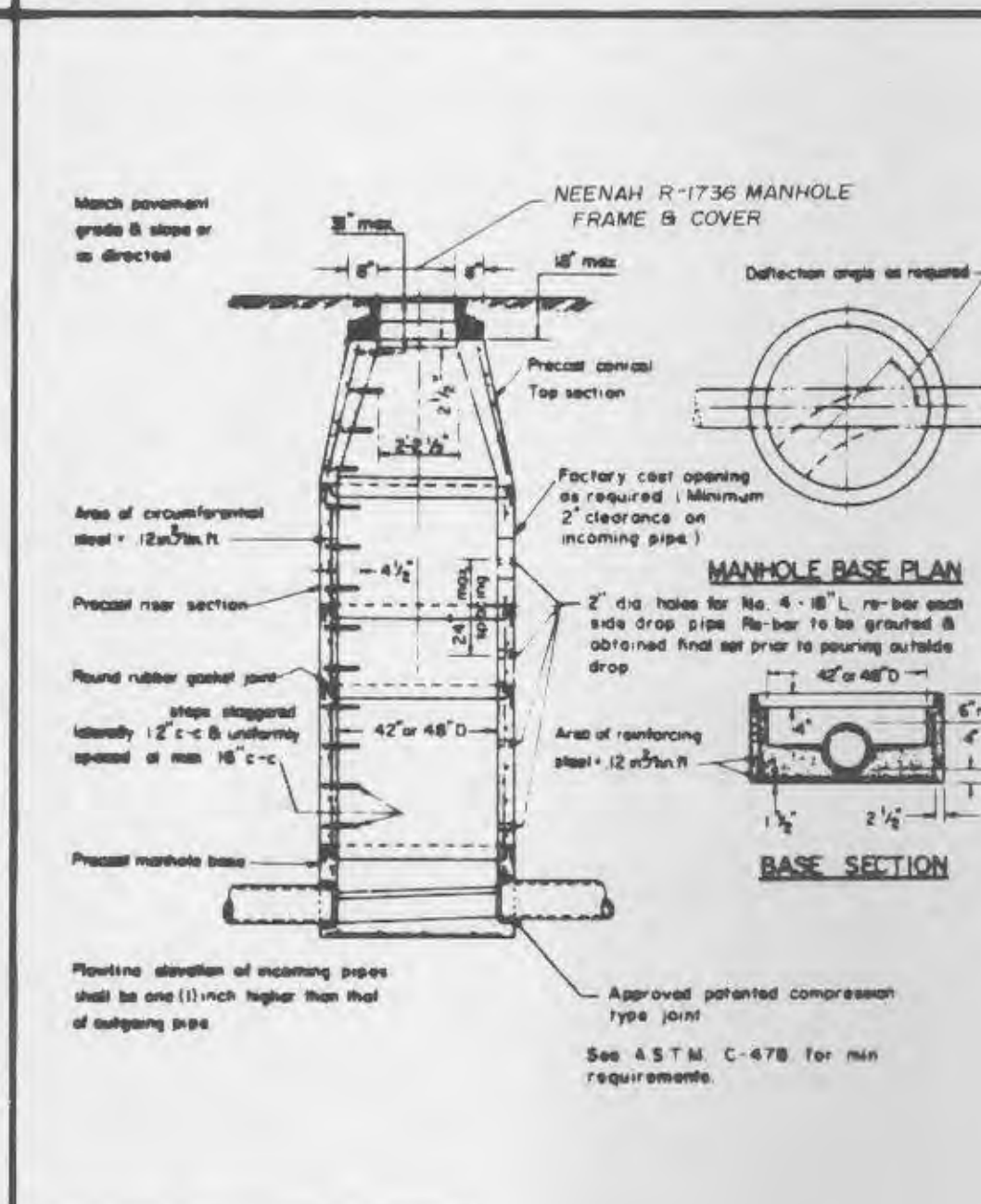
INSIDE DROP MANHOLE
FOR PLASTIC PIPE



INSIDE DROP MANHOLE
FOR PLASTIC PIPE



TERMINAL MANHOLE



PRE-CAST CONCRETE MANHOLE
FOR SEWERS 8" THROUGH 21"