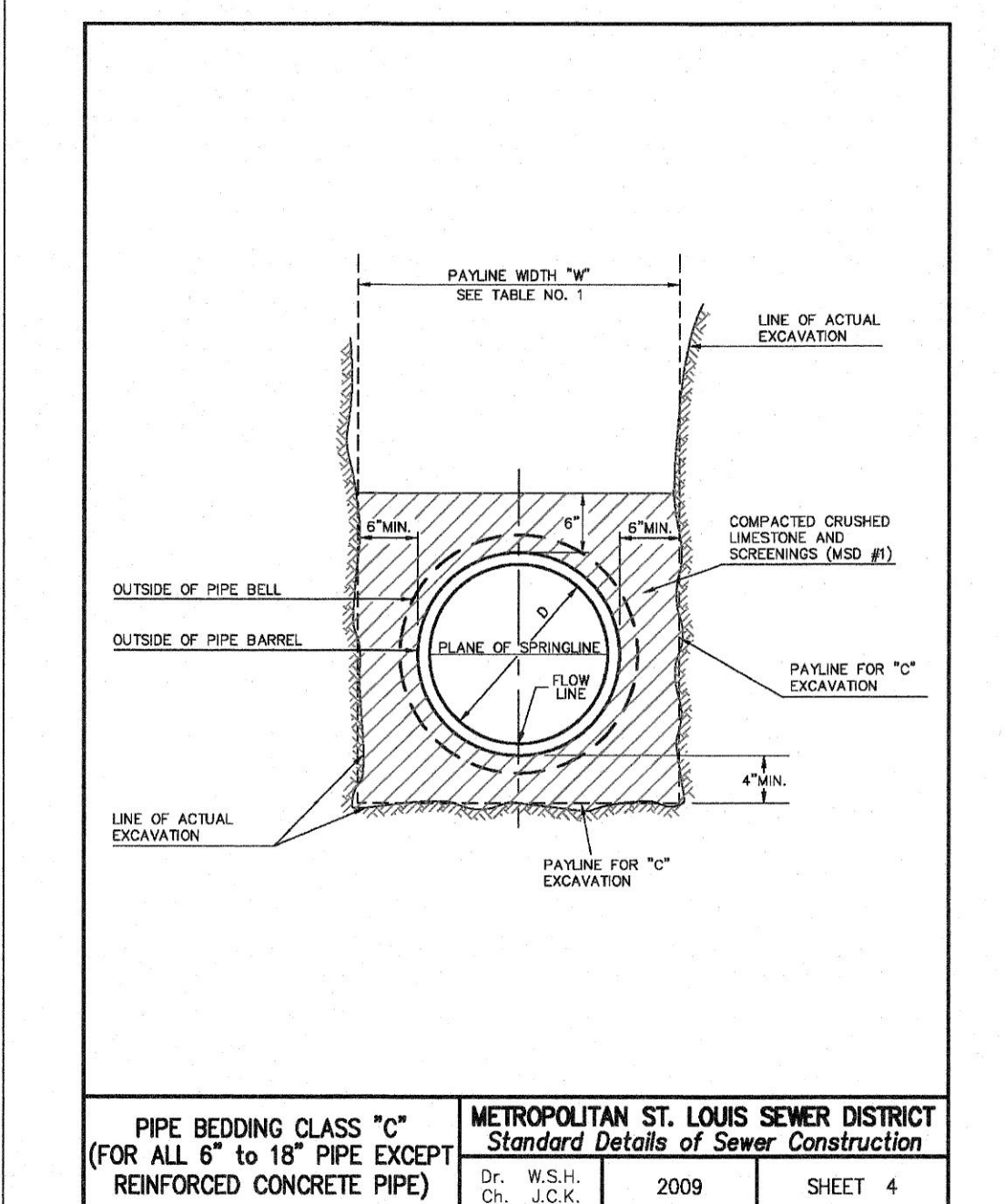
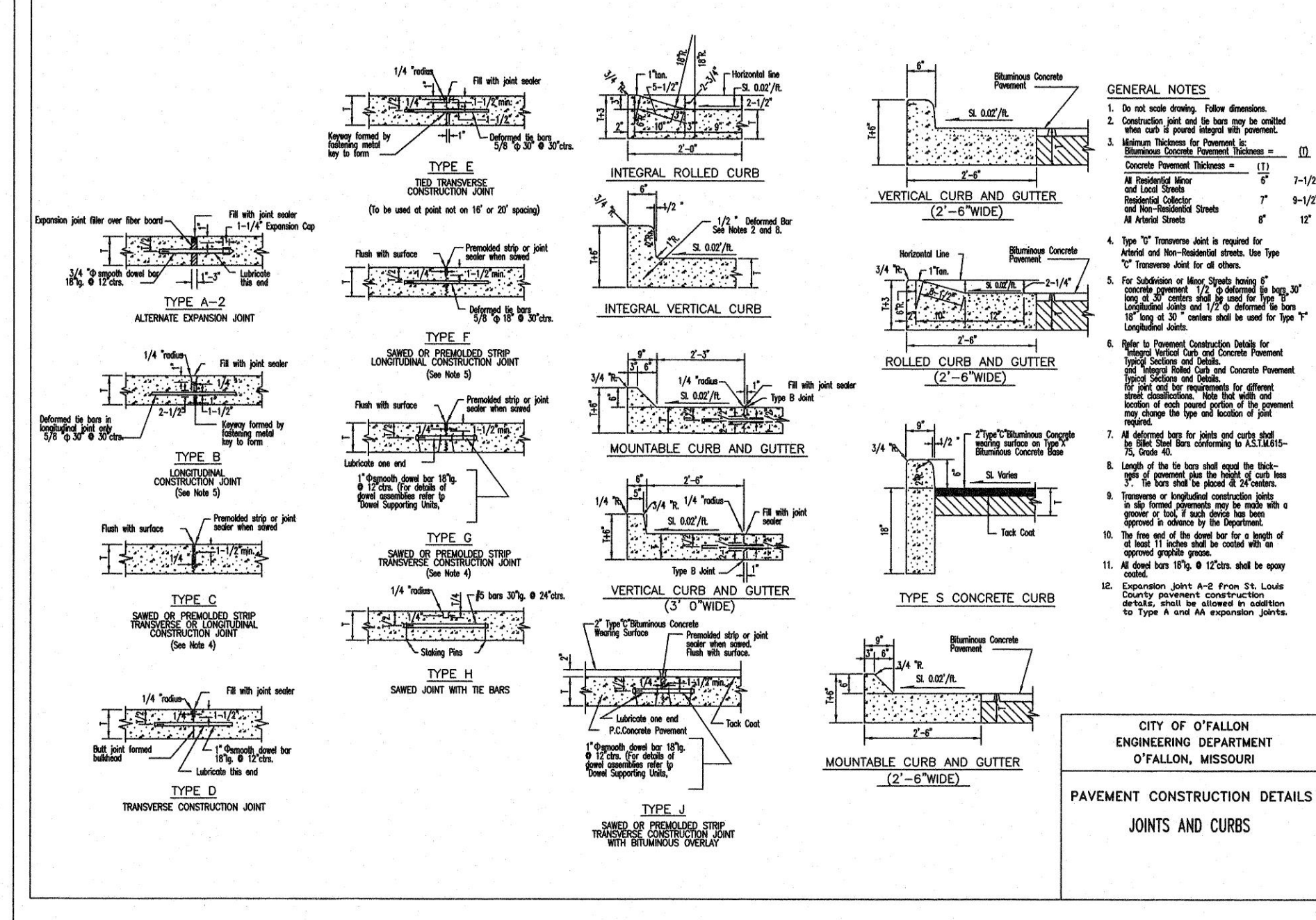


ROUND PIPE				HORIZONTAL ELLIPTICAL PIPE			
INSIDE DIAMETER OF PIPE (INCHES)	"W" PAYLINE WIDTH OF TRENCH (INCHES)	"W" PAYLINE WIDTH OF TRENCH (FEET)	PAY-VOLUMES CU. FT. PER FT. OF CONCRETE ENCASUREMENT	INSIDE DIMENSIONS OF PIPE (INCHES)	"W" PAYLINE WIDTH OF TRENCH (INCHES)	"W" PAYLINE WIDTH OF TRENCH (FEET)	PAY-VOLUMES CU. FT. PER FT. OF CONCRETE ENCASUREMENT
4	30	2.50	3.28				
6	30	2.50	3.59				
8	30	2.50	3.87				
10	30	2.50	4.09				
12	30	2.50	4.25				
15	36	3.00	5.85				
18	36	3.00	5.77	14 x 23	41	3.42	5.94
21	39	3.25	6.61				
24	42	3.50	7.39	19 x 30	49	4.08	7.68
27	45	3.75	8.18	22 x 34	53	4.42	8.61
30	48	4.08	9.30	24 x 38	58	4.83	9.70
33	53	4.42	10.03	27 x 42	62	5.17	10.71
36	56	4.67	11.43	29 x 45	66	5.50	11.72
39	DISCONTINUED			32 x 49	71	5.92	12.14
42	63	5.25	13.38	34 x 53	75	6.25	14.05
48	70	5.83	15.67	38 x 60	83	6.92	16.18
54	77	6.42	18.15	43 x 68	92	7.57	18.81
60	84	7.00	20.73	48 x 78	101	8.42	21.59
66	91	7.58	23.45	53 x 83	109	9.08	24.35
72	98	8.17	26.37	58 x 91	118	9.83	27.45
78	105	8.75	29.39	63 x 98	128	10.50	30.50
84	112	9.33	32.57	68 x 108	135	11.25	33.91
90	119	9.92	35.90	72 x 113	143	11.92	36.99
96	126	10.50	39.37	77 x 121	152	12.67	40.69
102	133	11.08	42.99	82 x 128	160	13.33	44.45
108	140	11.67	46.75	87 x 136	168	14.00	47.79
114	147	12.25	50.66	92 x 143	176	14.67	51.70
120	154	12.83	54.72	97 x 151	185	15.42	56.01
126	161	13.42	58.92				
132	168	14.00	63.27	106 x 166	202	16.83	64.48
144	182	15.17	72.40	116 x 180	218	18.17	73.58

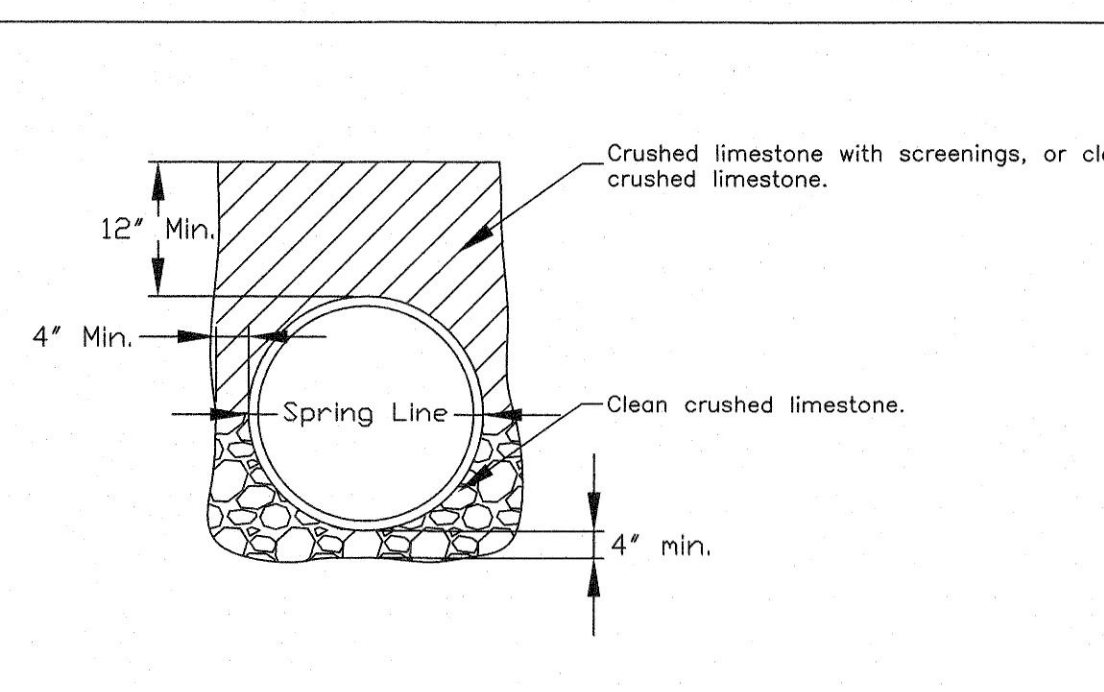
TABLE 1
PAYLINE WIDTHS OF TRENCH
AND PAY-QUANTITIES
OF CONCRETE

METROPOLITAN ST. LOUIS SEWER DISTRICT
Standard Details of Sewer Construction
Dr. B.E.R.
Ch. J.C.K. 2009 SHEET 1

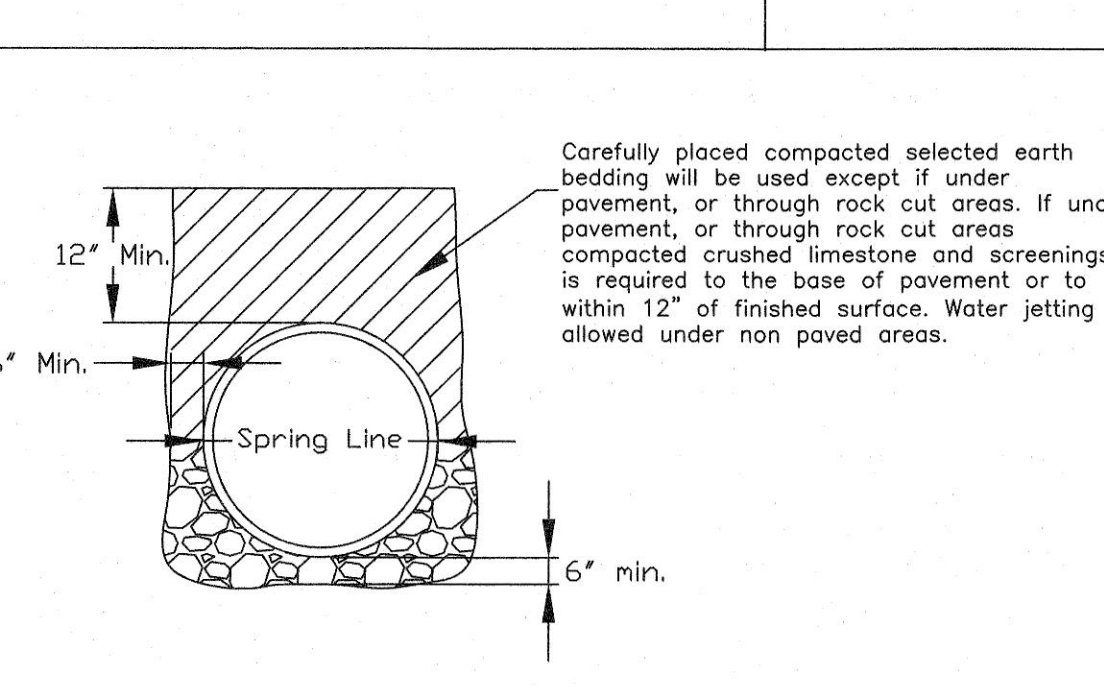


PIPE BEDDING CLASS "C"
(FOR ALL 6" TO 18" PIPE EXCEPT
REINFORCED CONCRETE PIPE)

METROPOLITAN ST. LOUIS SEWER DISTRICT
Standard Details of Sewer Construction
Dr. W.S.H.
Ch. J.C.K. 2009 SHEET 4



CITY OF O'FALLON
ENGINEERING DEPARTMENT
O'FALLON, MISSOURI
**SANITARY SEWER
TRENCH
DETAIL**



CITY OF O'FALLON
ENGINEERING DEPARTMENT
O'FALLON, MISSOURI
**STORM SEWER
TRENCH
DETAIL**

* All other Storm or Sanitary Sewer Details will be by M.S.D. 2000 Standards and Specifications.
** All inlets shall have 5/8" trash bar centered with the opening(s).

PROJECT TITLE:
COSMOS CORPORATION
BUILDING ADDITION
601 PEARL DRIVE
O'FALLON, MO. 63376

ENGINEERING SURVEYING
221 Point West Blvd.
St. Charles, MO 63301
636-828-5586
FAX 636-828-1718

DISCLAIMER OF RESPONSIBILITY
I hereby specify that the documents intended to be authorized by my seal are limited to this sheet, and I hereby disclaim any responsibility for all other drawings, Specifications, Estimates, Reports or other documents or instruments relating to or intended to be used for any part or parts of the architectural or engineering project or survey.

STATE OF MISSOURI
CLIFFORD L. HEITMANN
NUMBER E-29817
MISSOURI
CLIFFORD L. HEITMANN
CIVIL ENGINEER
E29817
Copyright 2021
Box Engineering Company, Inc.
Authority No. 000655
All Rights Reserved

REVISIONS

9-24-21	city comments

Developer / Owner:
POINT WEST PROPERTIES LLC
103 ENTERPRISE DRIVE
WENTZVILLE, MISSOURI 63385
636-327-5575

CONSTRUCTION DETAILS

P+Z No. #21-003877
Approval Date: 6-3-21
City No. #
Page No.
13 of 13

Box Project # 18-17837A Issue Date: 8/23/2021